



US00D410659S

# United States Patent [19] Lannoch

[11] **Patent Number: Des. 410,659**  
[45] **Date of Patent: \*\* Jun. 8, 1999**

[54] **GEAR**  
[75] Inventor: **Hans-Jürgen Lannoch,**  
Linkenheim-Hochstetten, Germany  
[73] Assignee: **Sew-Eurodrive GmbH & Co.,**  
Bruchsal, Germany  
[\*\*] Term: **14 Years**  
[21] Appl. No.: **29/074,989**  
[22] Filed: **Aug. 18, 1997**  
[30] **Foreign Application Priority Data**  
Feb. 21, 1997 [XH] Hague Agreement ..... DM/039261  
[51] **LOC (6) Cl. .... 15-01**  
[52] **U.S. Cl. .... D15/148; D15/5**  
[58] **Field of Search .... D15/5, 148; 74/489,**  
74/606 R, 606 A, 607; 474/82, 144, 146;  
476/42

D. 368,919 4/1996 Lannoch ..... D15/148  
D. 375,509 11/1996 Shaw ..... D15/5

*Primary Examiner*—Ralf Seifert  
*Attorney, Agent, or Firm*—Antonelli, Terry, Stout & Kraus,  
LLP

### [57] CLAIM

The ornamental design for a gear, as shown and described.

### DESCRIPTION

FIG. 1 is a front perspective view of a gear showing my new design;  
FIG. 2 is a front elevational view;  
FIG. 3 is a rear elevational view;  
FIG. 4 is a right side elevational view;  
FIG. 5 is a left side elevational view.  
FIG. 6 is a top plan view; and,  
FIG. 7 is a bottom plan view.

### [56] References Cited

#### U.S. PATENT DOCUMENTS

D. 356,094 3/1995 Curtis ..... D15/5

**1 Claim, 4 Drawing Sheets**

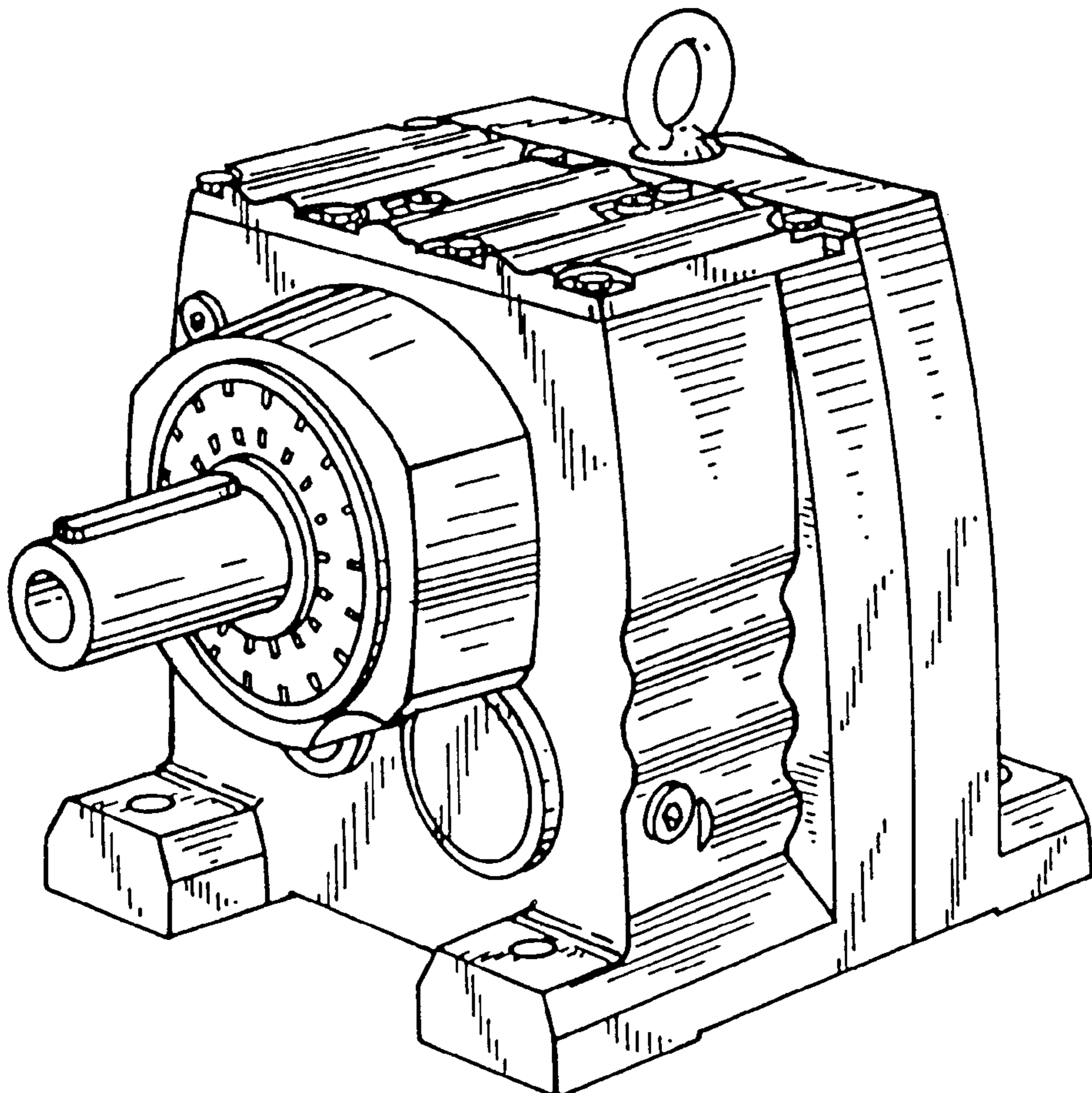


FIG. 1

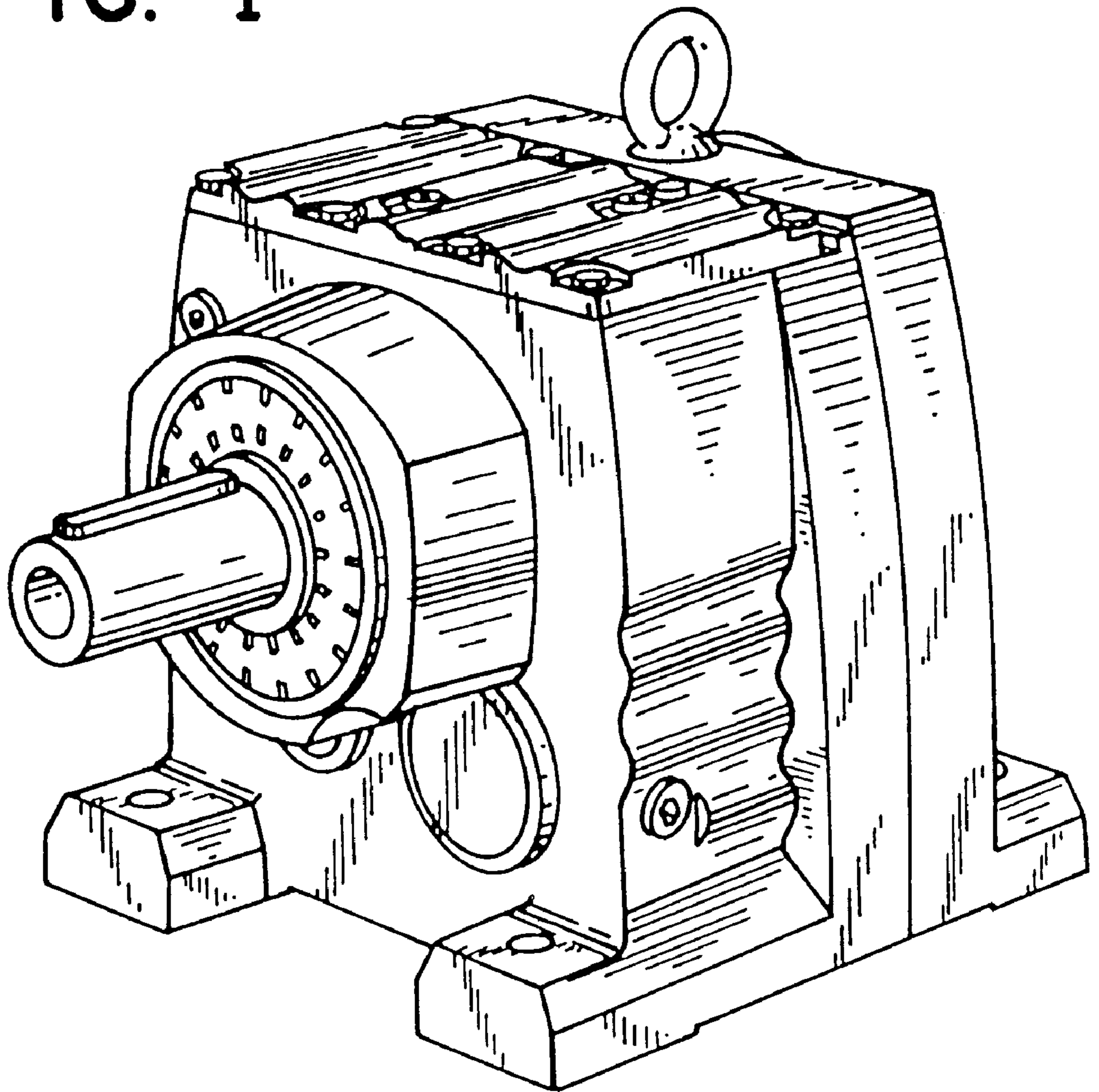


FIG. 2

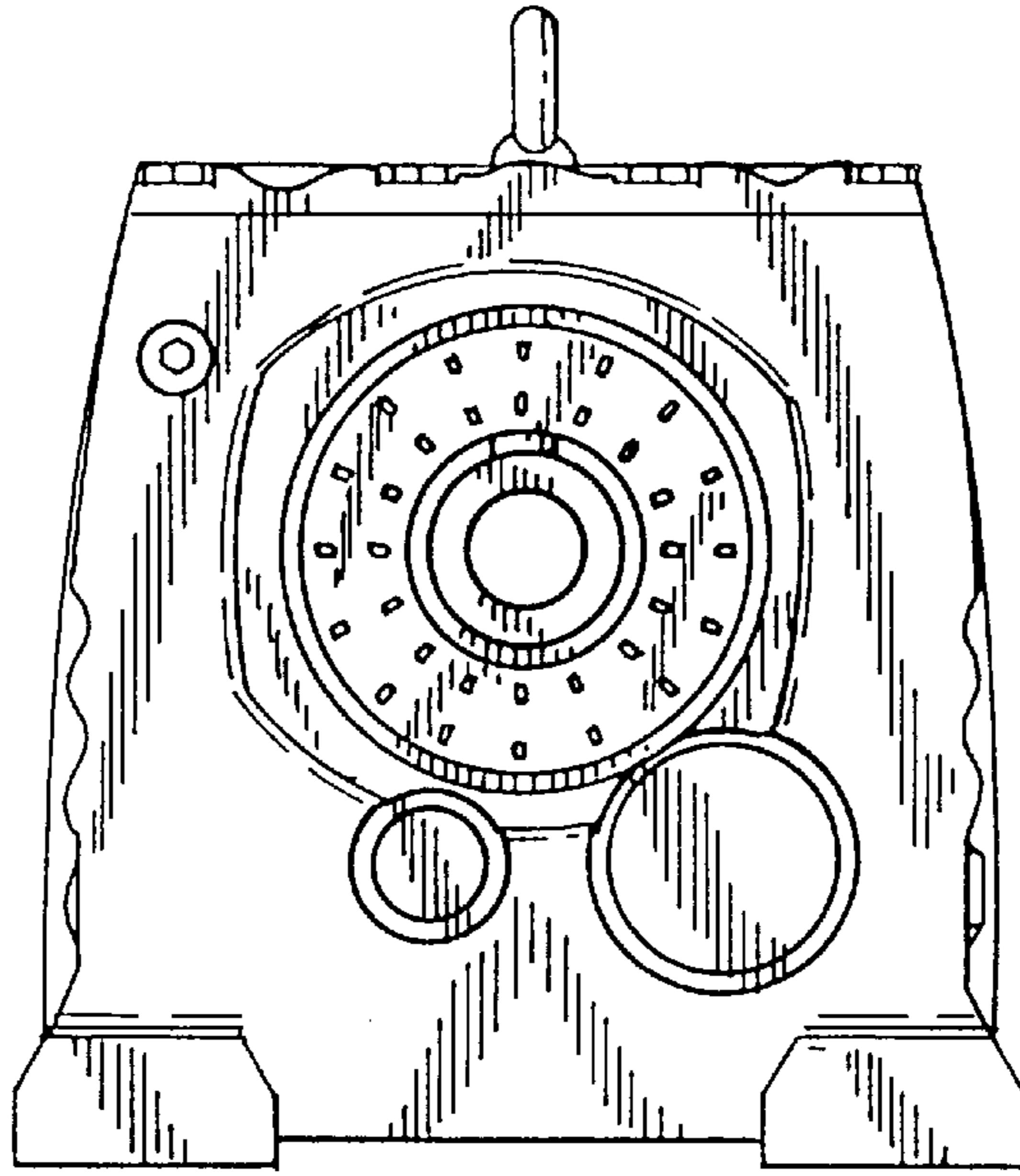


FIG. 3

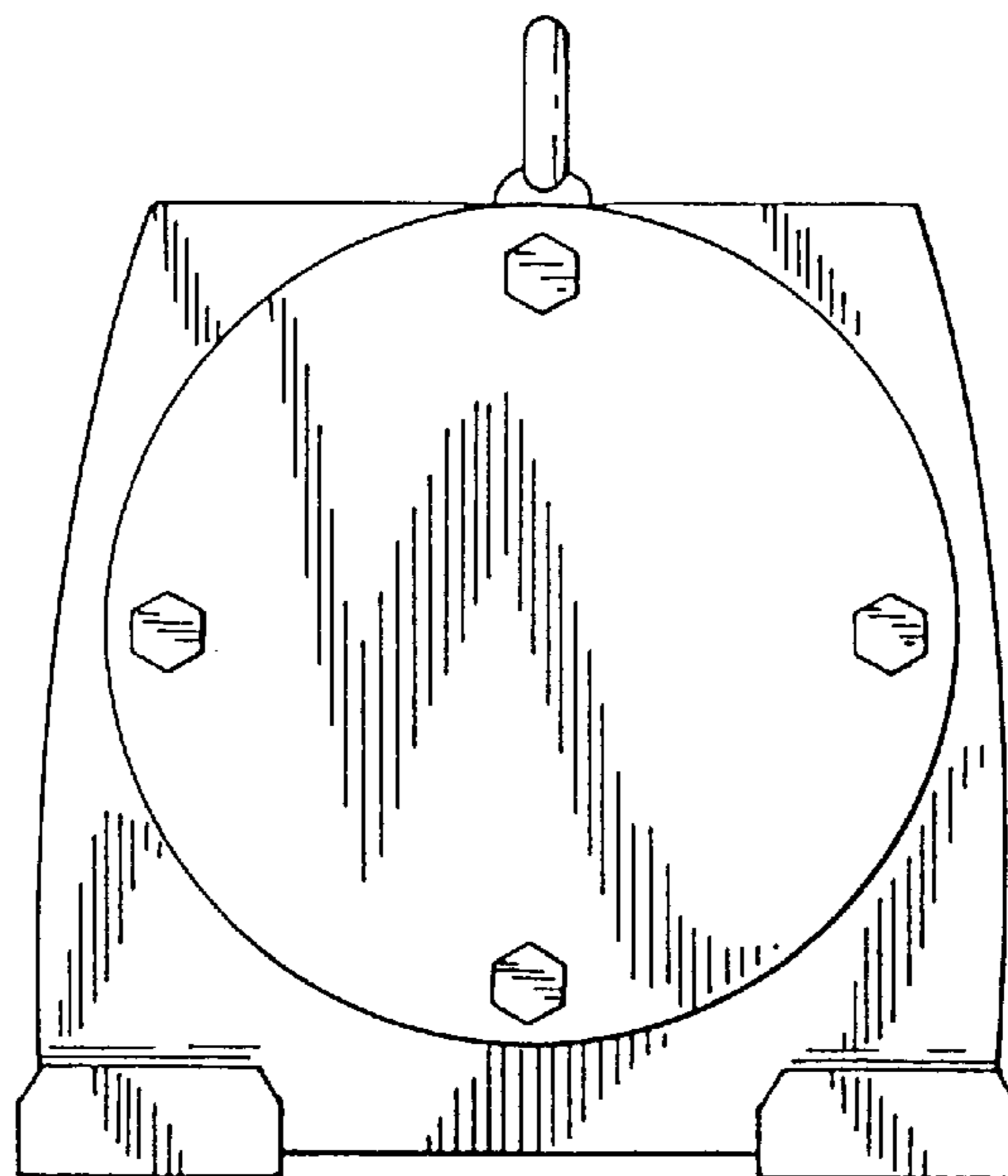


FIG. 4

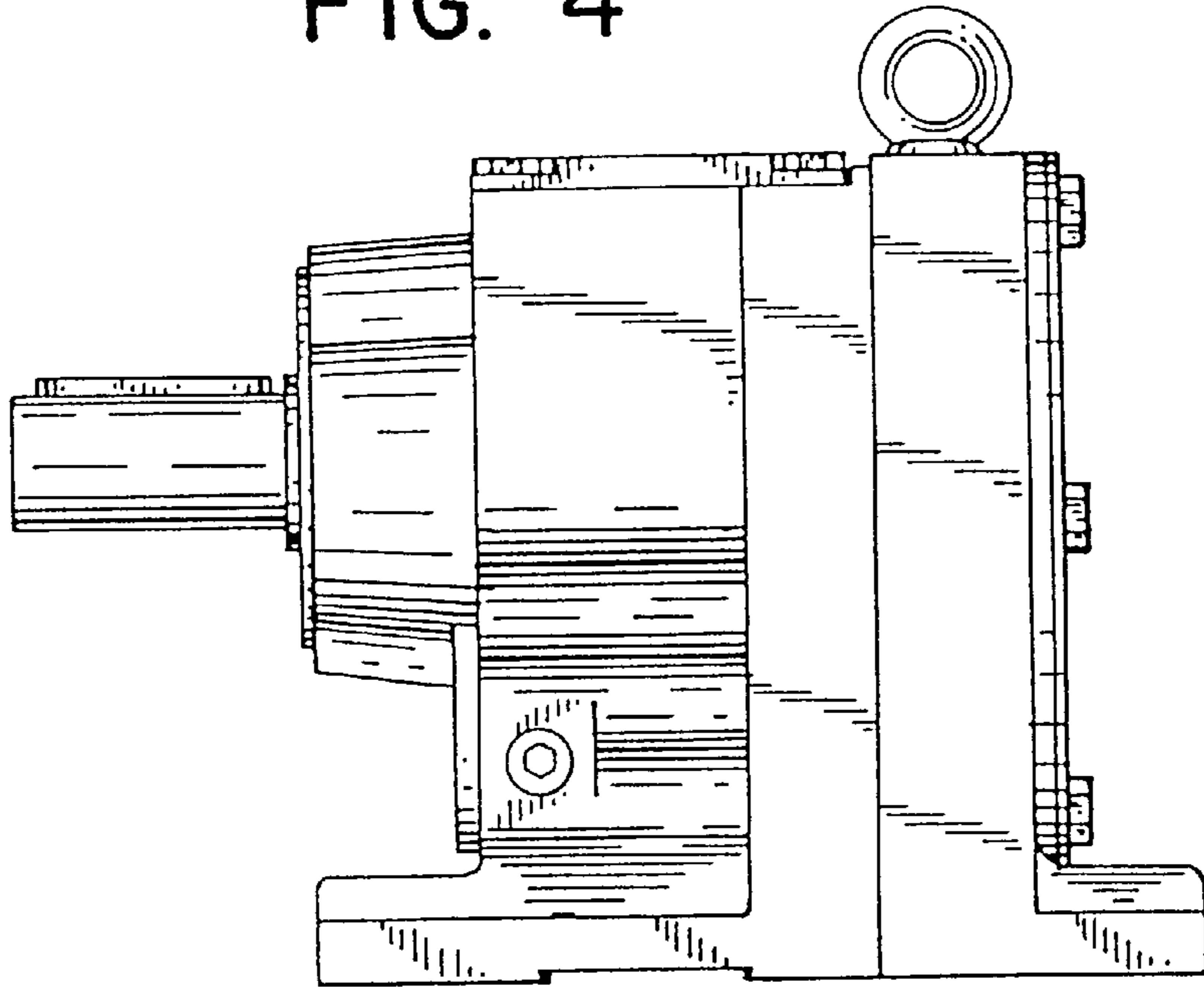


FIG. 5

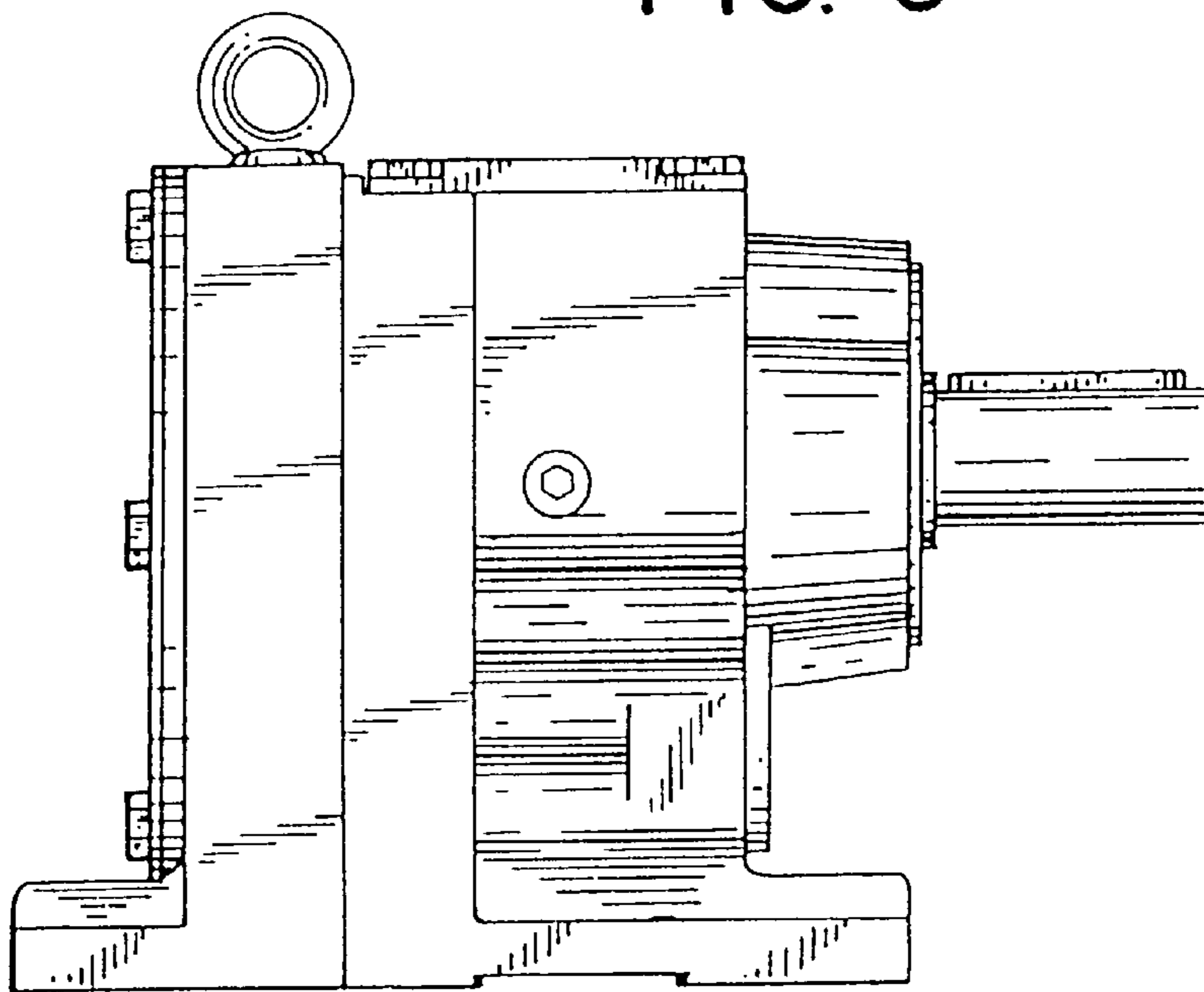


FIG. 6

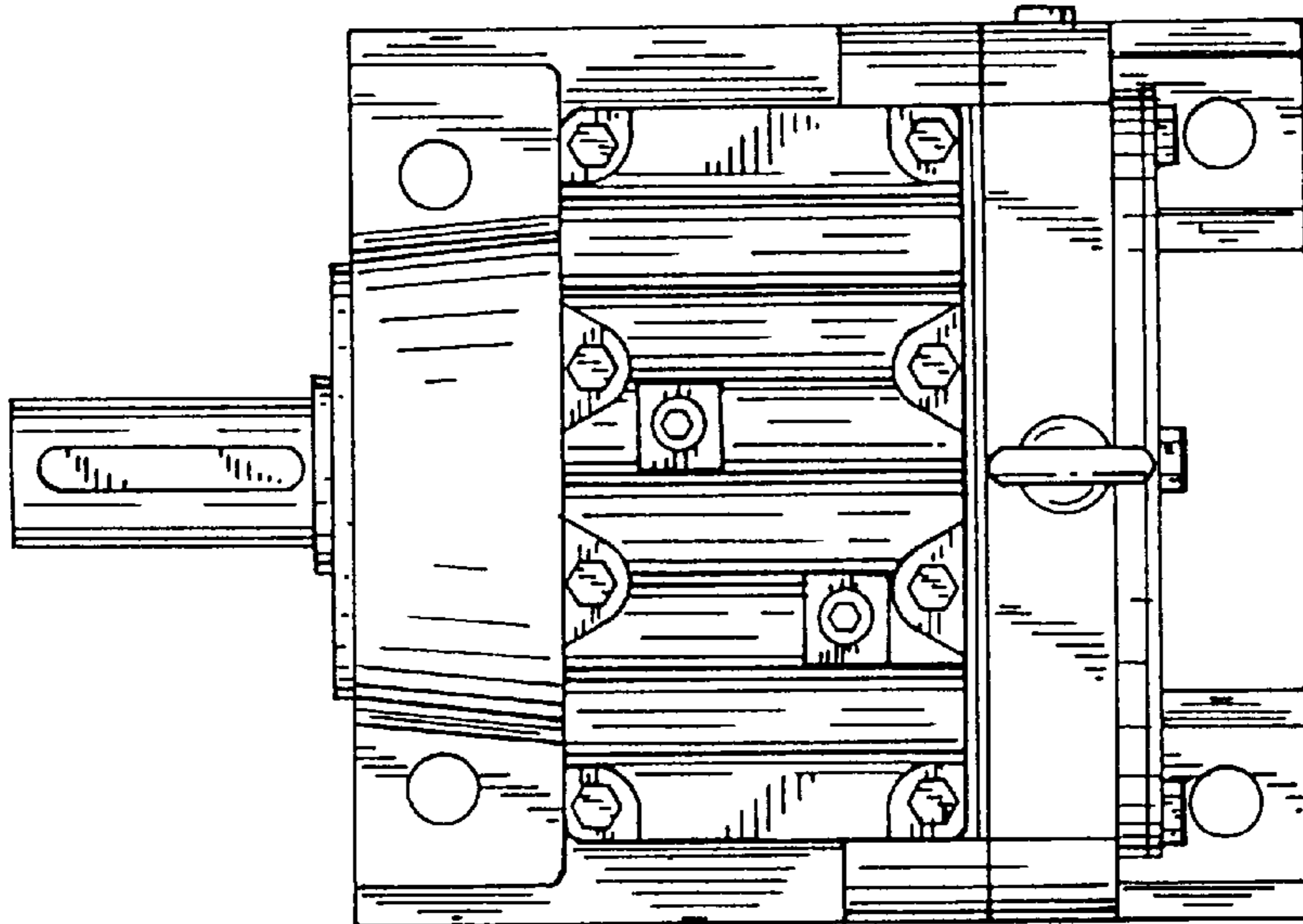


FIG. 7

