



US00D410656S

# United States Patent [19]

Thyberg et al.

[11] Patent Number: **Des. 410,656**

[45] Date of Patent: **\*\* Jun. 8, 1999**

[54] **BOOM FOR SPRAYER**

[75] Inventors: **Michael M. Thyberg**, Washburn; **Oryn B. Wagner**, Bismarck, both of N. Dak.; **Robert A. Schofield**, Melbourne, Fla.; **Gary F. Langer**, Crivitz, Wis.

[73] Assignee: **AGCO Corporation**, Duluth, Ga.

[\*\*] Term: **14 Years**

[21] Appl. No.: **29/080,417**

[22] Filed: **Dec. 9, 1997**

[51] **LOC (6) Cl.** ..... **15-03**

[52] **U.S. Cl.** ..... **D15/13**

[58] **Field of Search** ..... D15/10, 13, 28;  
239/159, 161, 162, 167, 168, 706

[56] **References Cited**

**U.S. PATENT DOCUMENTS**

D. 355,919	2/1995	Larson et al.	.....	D15/13
1,924,881	8/1933	Ragsdale	.....	189/37
2,691,236	10/1954	Tuft	.....	43/148
2,976,647	3/1961	Pickrell	.....	47/58
3,055,594	9/1962	Nansel	.....	239/167
3,211,381	10/1965	Rasmussen	.....	239/159
3,447,750	6/1969	Weston	.....	239/167
3,581,993	6/1971	Reams	.....	239/167
3,941,194	3/1976	Orthman	.....	172/311
3,997,695	12/1976	Gitt et al.	.....	428/36
4,011,914	3/1977	Elmer	.....	239/168
4,372,492	2/1983	Blumenshine	.....	239/168
4,418,763	12/1983	Boetto	.....	172/776
4,609,145	9/1986	Miller	.....	239/77
4,669,662	6/1987	Bruce	.....	239/163
4,711,398	12/1987	Ganderton et al.	.....	239/167

4,878,616	11/1989	Richardson	.....	239/167
4,946,102	8/1990	DeWitt et al.	.....	239/167
5,242,120	9/1993	Barber et al.	.....	D15/13
5,402,945	4/1995	Swanson, Jr.	.....	239/706

**FOREIGN PATENT DOCUMENTS**

2 562 445	4/1984	France .
33 41 967 A1	5/1985	Germany .

*Primary Examiner*—Sandra L. Morris  
*Attorney, Agent, or Firm*—Westman, Champlin & Kelly, P.A.

[57] **CLAIM**

The ornamental design for a boom for sprayer, as shown and described.

**DESCRIPTION**

FIG. 1 is a front perspective view of a boom for sprayer embodying our new design, the vehicle shown in broken lines supporting two booms are for illustrative purposes only, and forms no part of the claimed design;

FIG. 2 is an enlarged perspective view of one of the booms thereof;

FIG. 3 is a reduced top plan view thereof;

FIG. 4 is a side elevational view thereof;

FIG. 5 is an opposite side elevational view thereof;

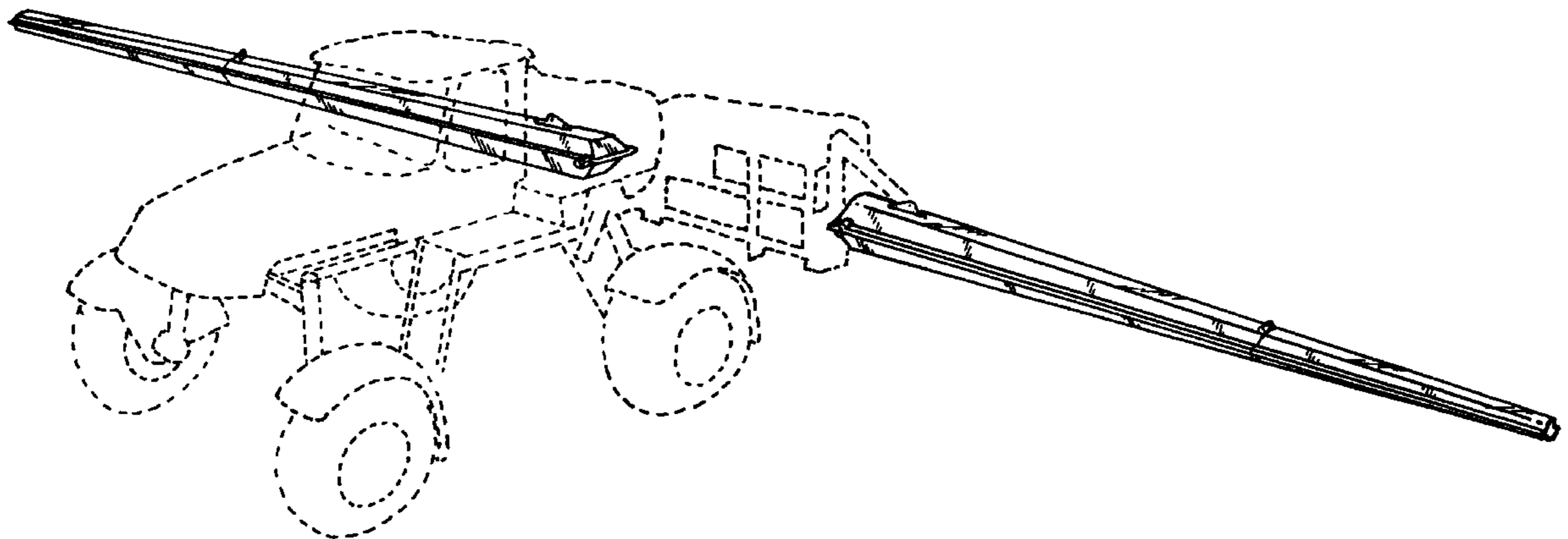
FIG. 6 is a bottom plan view thereof;

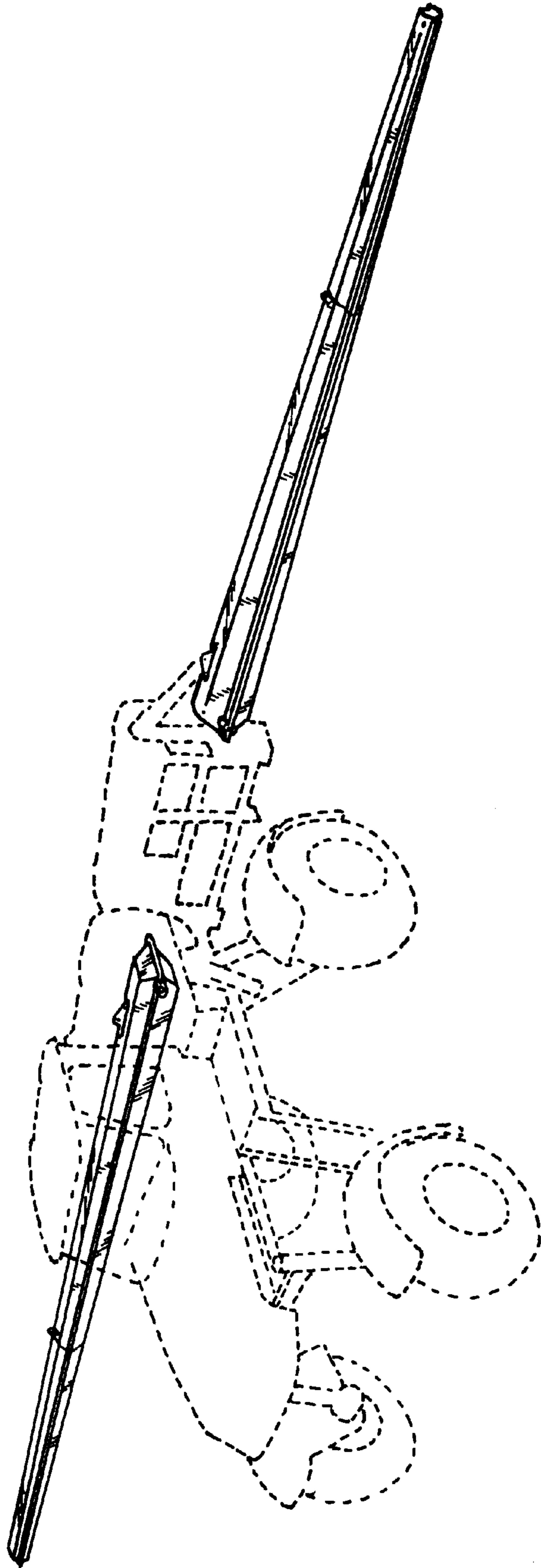
FIG. 7 is an enlarged end view thereof viewed from the right end in FIG. 4;

FIG. 8 is an enlarged end view thereof viewed from the left end in FIG. 4; and,

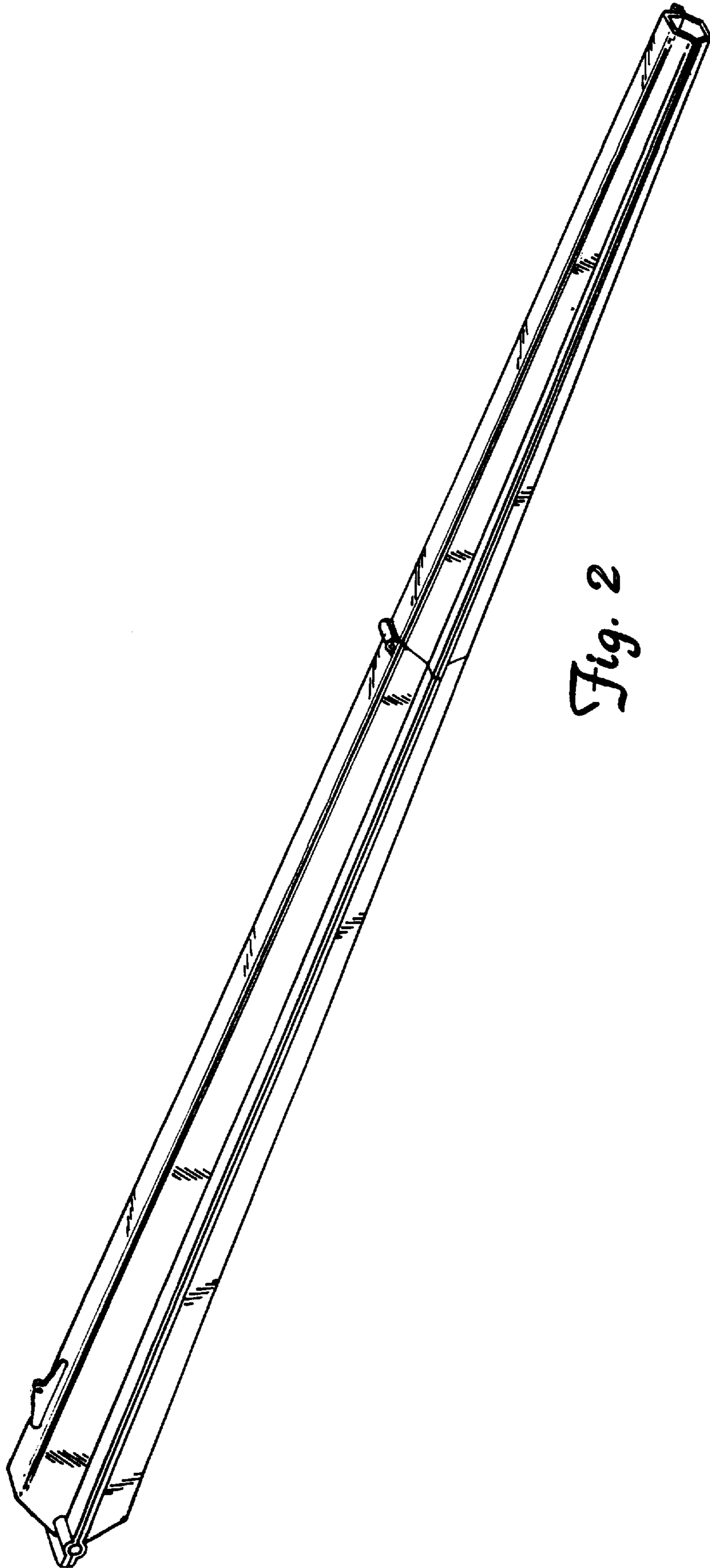
FIG. 9 is an enlarged sectional view thereof taken along line 9—9 in FIG. 5.

**1 Claim, 6 Drawing Sheets**





*Fig. 1*



*Fig. 2*

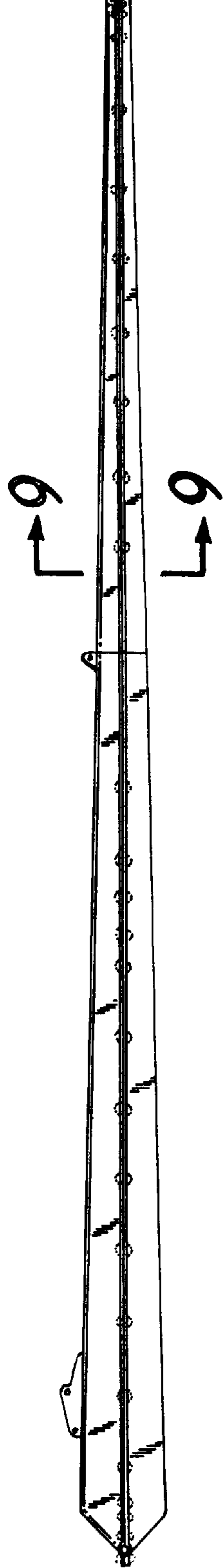
*Fig. 3*



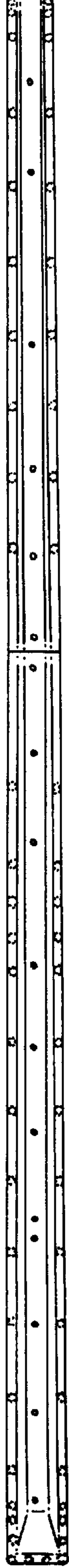
*Fig. 4*

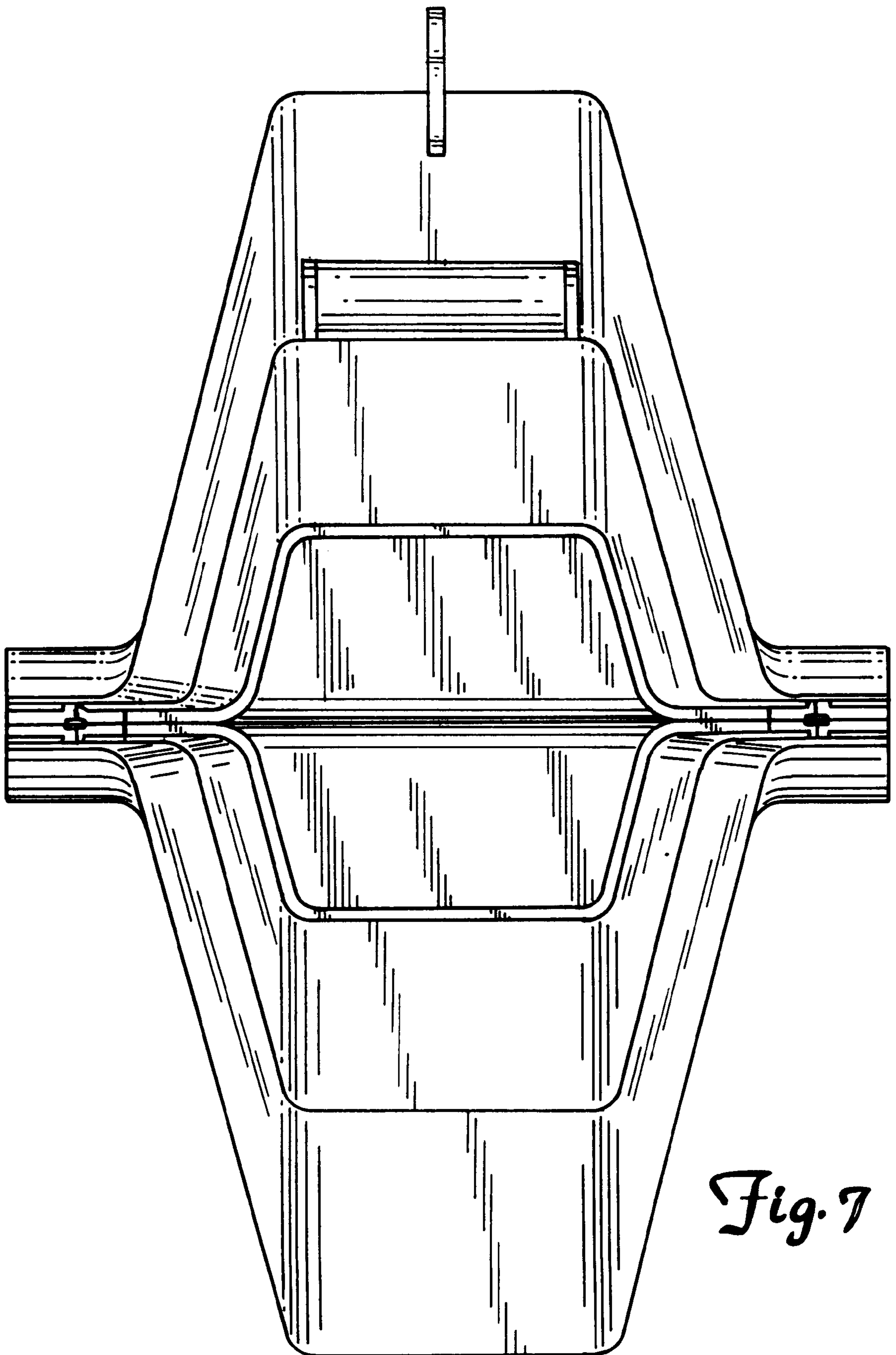


*Fig. 5*



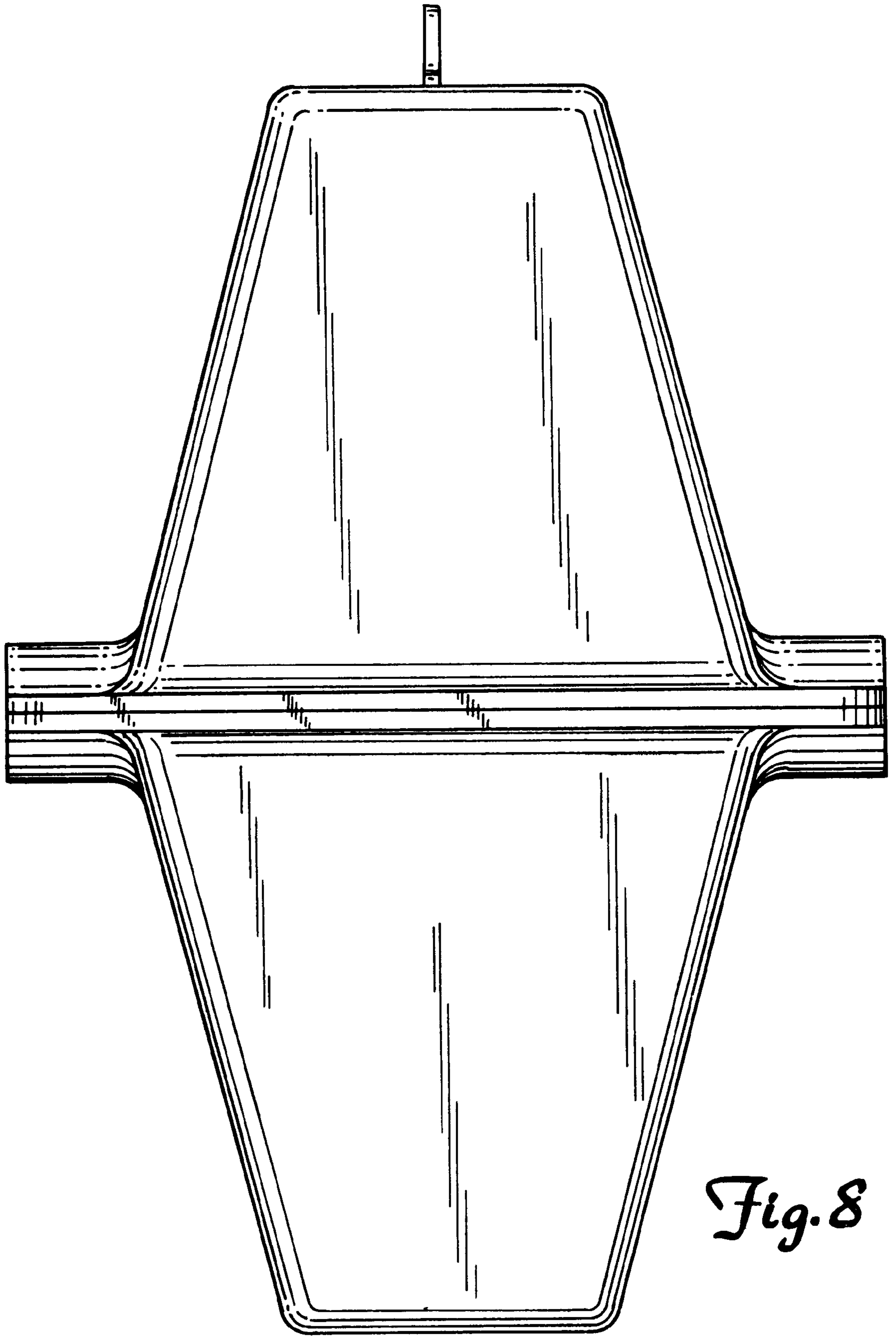
*Fig. 6*



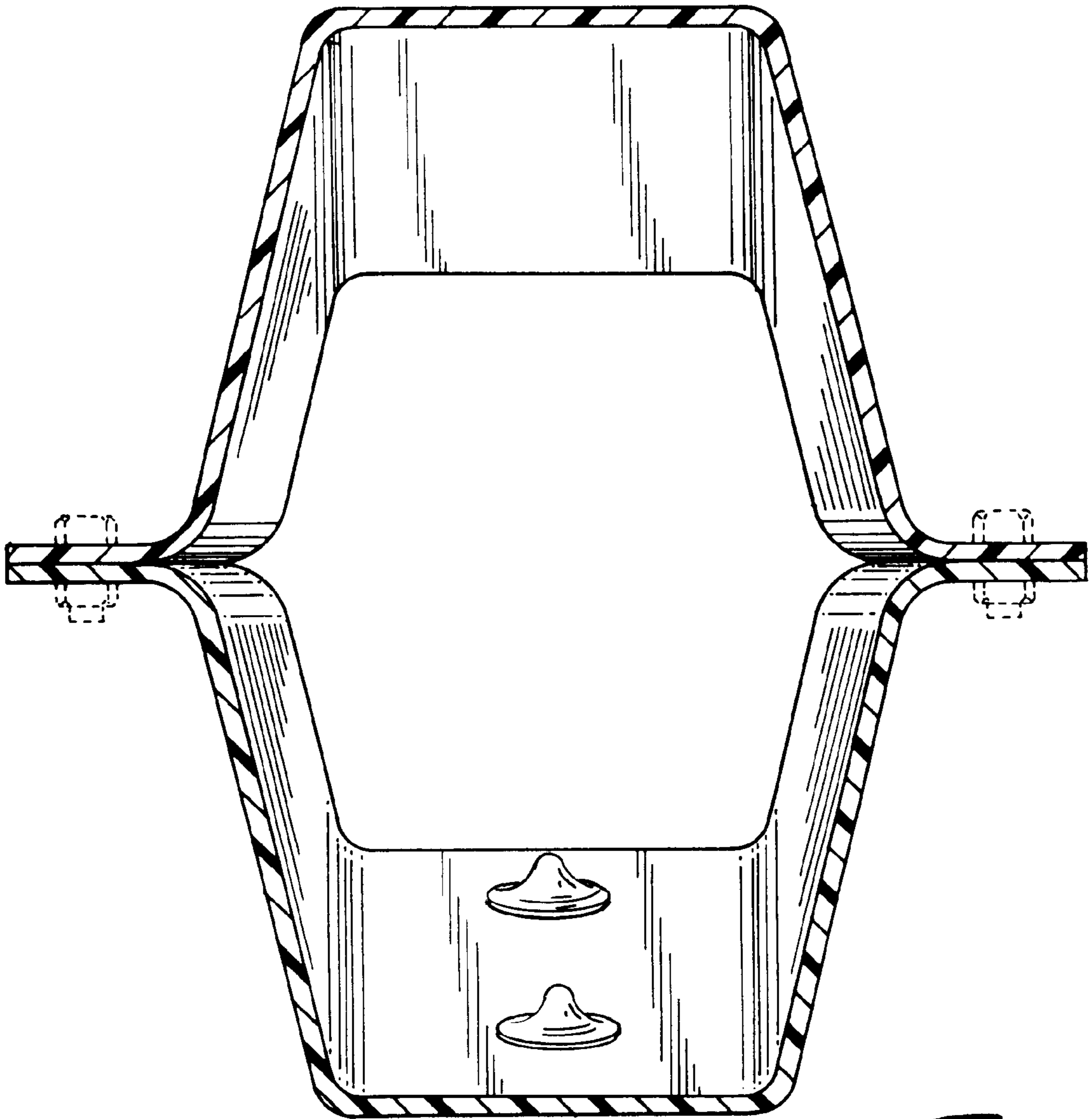


*Fig. 7*





*Fig. 8*



*Fig. 9*