



US00D410652S

United States Patent [19]

Jones et al.

[11] Patent Number: **Des. 410,652**

[45] Date of Patent: **** Jun. 8, 1999**

[54] **OUTDOOR TRANSMIT/RECEIVE ANTENNA MOUNTING ENCLOSURE**

[75] Inventors: **Clifford T. Jones**, Raleigh; **Thomas W. Ruckdeschel**, Apex, both of N.C.

[73] Assignee: **Ericsson, Inc.**, Research Triangle Park, N.C.

[**] Term: **14 Years**

[21] Appl. No.: **29/064,321**

[22] Filed: **Dec. 27, 1996**

[51] **LOC (6) Cl.** **14-03**

[52] **U.S. Cl.** **D14/238**

[58] **Field of Search** 343/872, 873, 343/700 R, 781 R, 824-825, 888-890, 907-908, 912, DIG. 2; 455/91, 93-95, 101, 103, 128-129, 73, 90, 89; D29/230-238, 299

[56] **References Cited**

U.S. PATENT DOCUMENTS

- D. 238,581 1/1976 Lehmann .
- D. 252,568 8/1979 Comstock .
- D. 265,986 8/1982 Wearsch et al. .
- D. 266,662 10/1982 Brownell et al. .
- D. 312,244 11/1990 Collins et al. .
- D. 317,908 7/1991 Channell .
- D. 336,074 6/1993 Friend et al. .
- 4,403,106 9/1983 Lask et al. .

- 4,419,537 12/1983 Leep et al. .
- 4,901,369 2/1990 Momose et al. 455/84
- 5,023,902 6/1991 Anderson et al. 379/59
- 5,423,072 6/1995 Iwashita et al. 455/67.4

Primary Examiner—Ruth McInroy
Attorney, Agent, or Firm—Burns, Doane, Swecker & Mathis, L.L.P.

[57] **CLAIM**

The ornamental design for an outdoor transmit/receive antenna mounting enclosure, as shown and described.

DESCRIPTION

FIG. 1 is a front view of an outdoor transmit/receive antenna mounting enclosure showing our new design;
 FIG. 2 is a left side view thereof;
 FIG. 3 is a top view thereof;
 FIG. 4 is a rear view thereof;
 FIG. 5 is a right side view thereof;
 FIG. 6 is a bottom view thereof;
 FIG. 7 is a perspective view from the top left showing the front, top, and left sides thereof;
 FIG. 8 is a perspective view from the bottom left showing the posterior, bottom and left sides thereof; and,
 FIG. 9 is a perspective view from the left side showing the front, top and left sides.

The details shown in broken lines in all views are for illustrative purposes only and form no part of the claimed design.

1 Claim, 5 Drawing Sheets

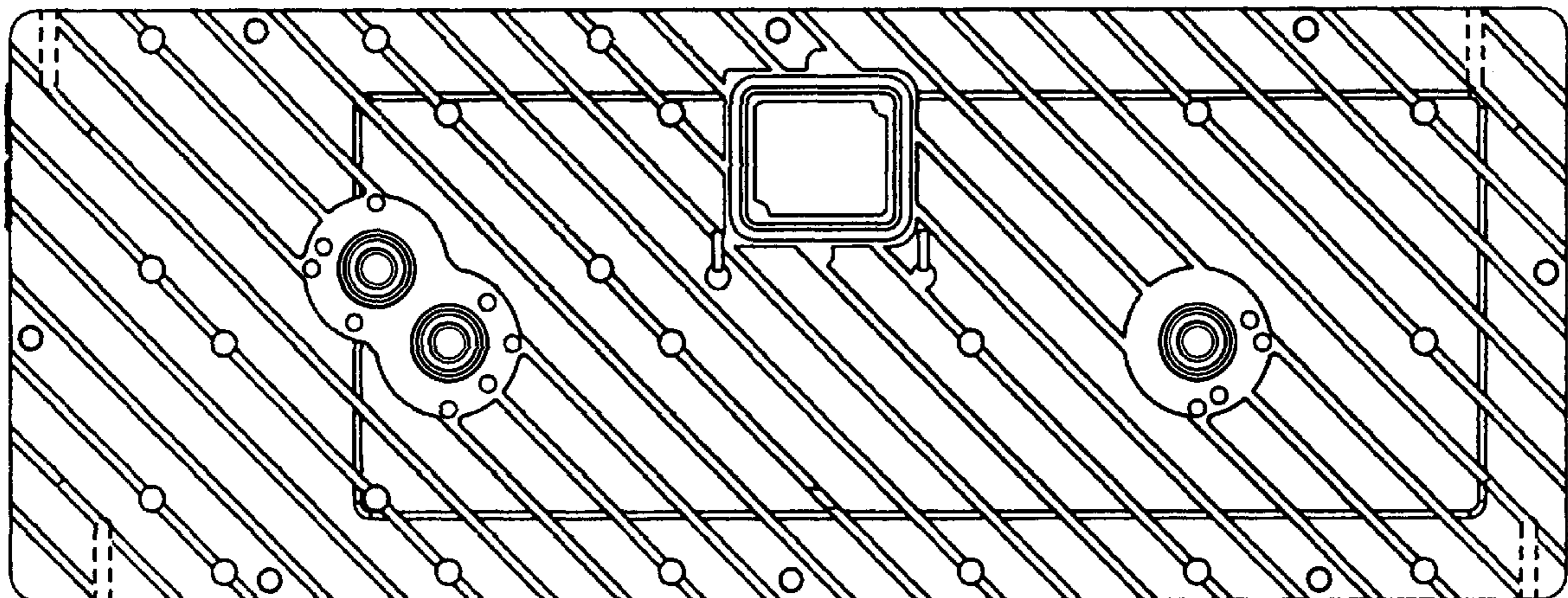


FIG. 3

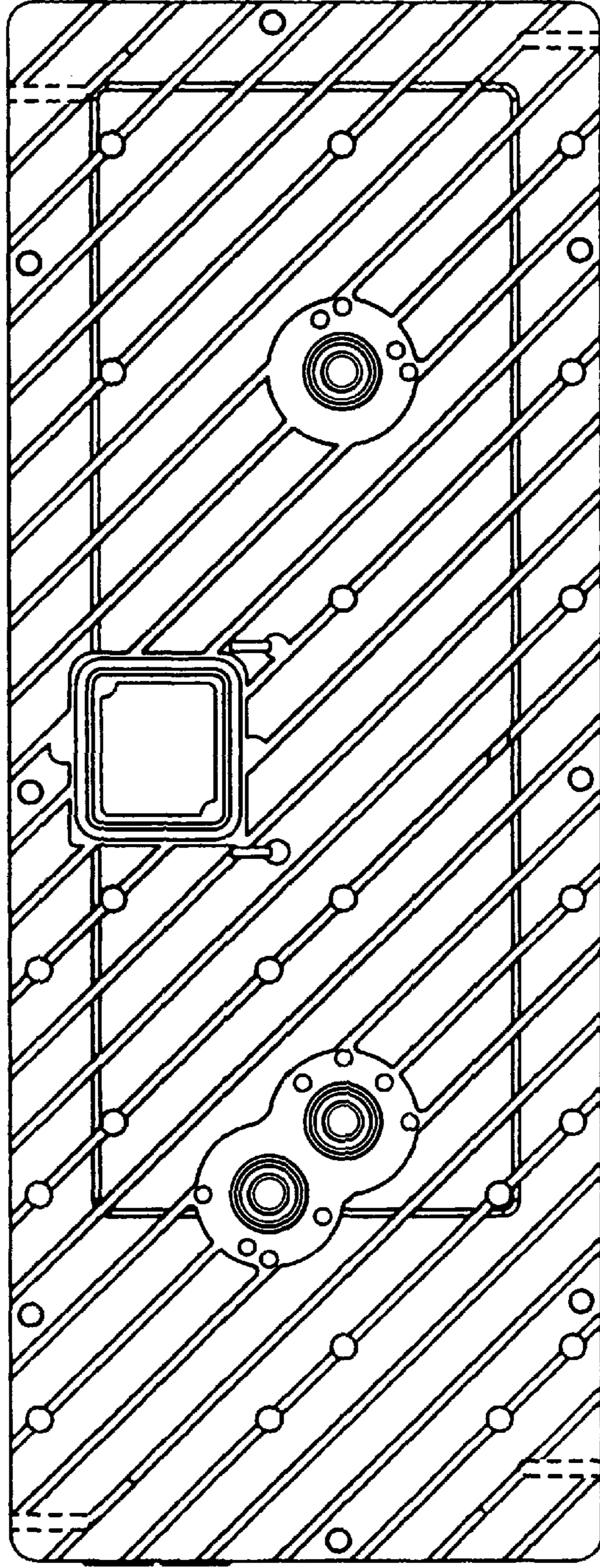
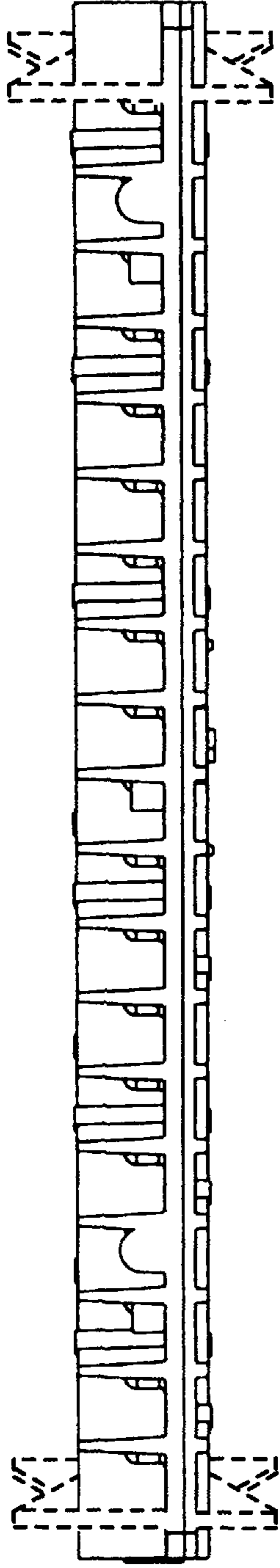


FIG. 1

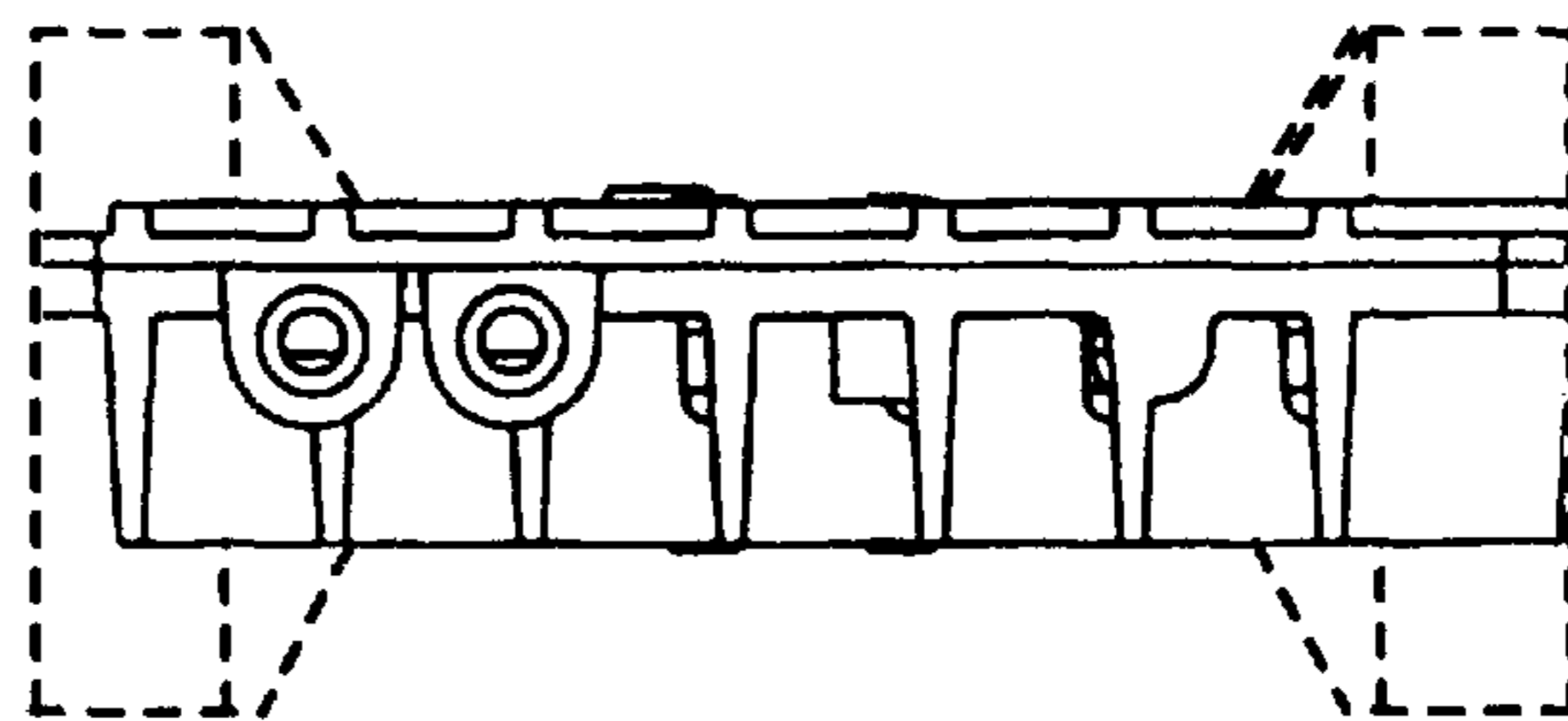


FIG. 2

FIG. 4

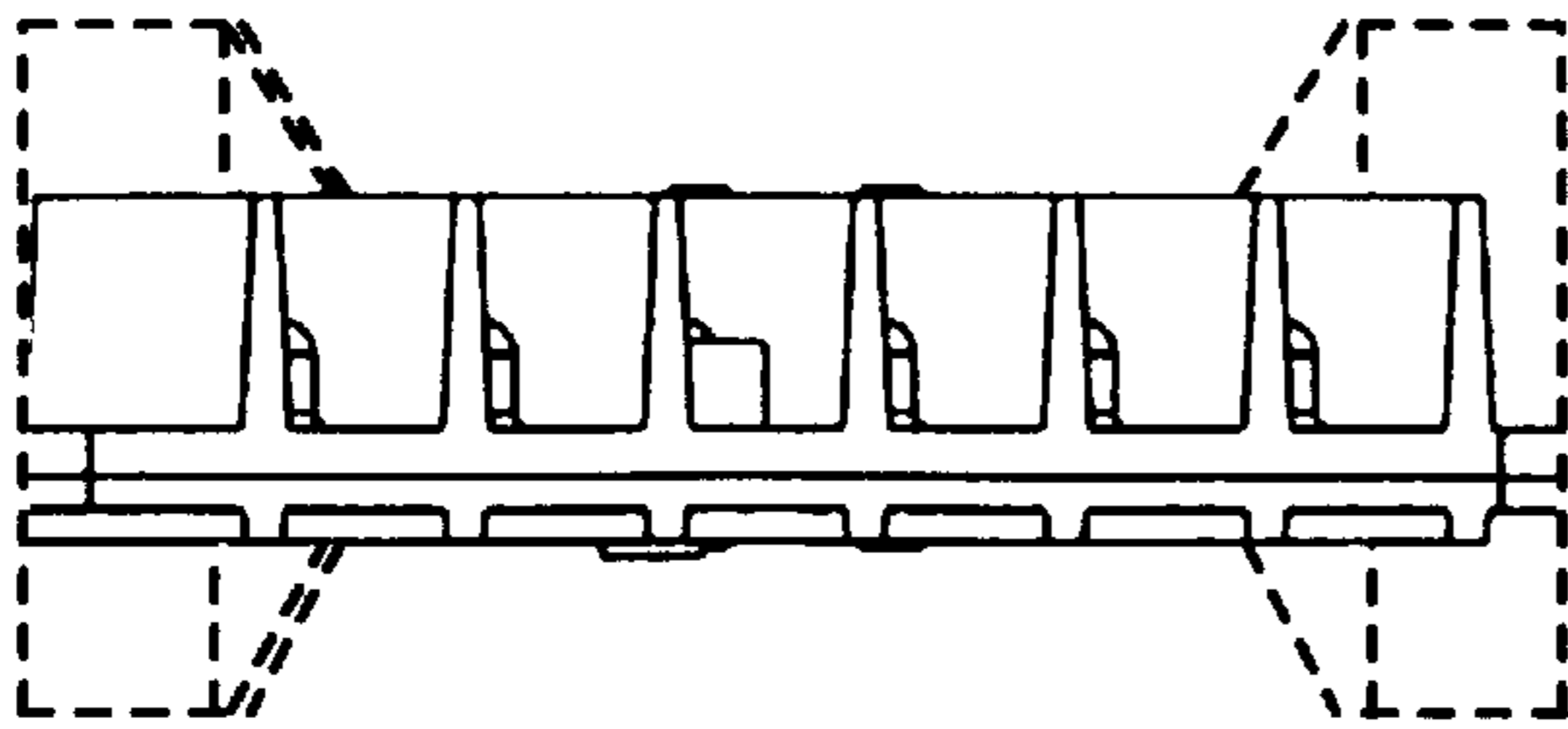
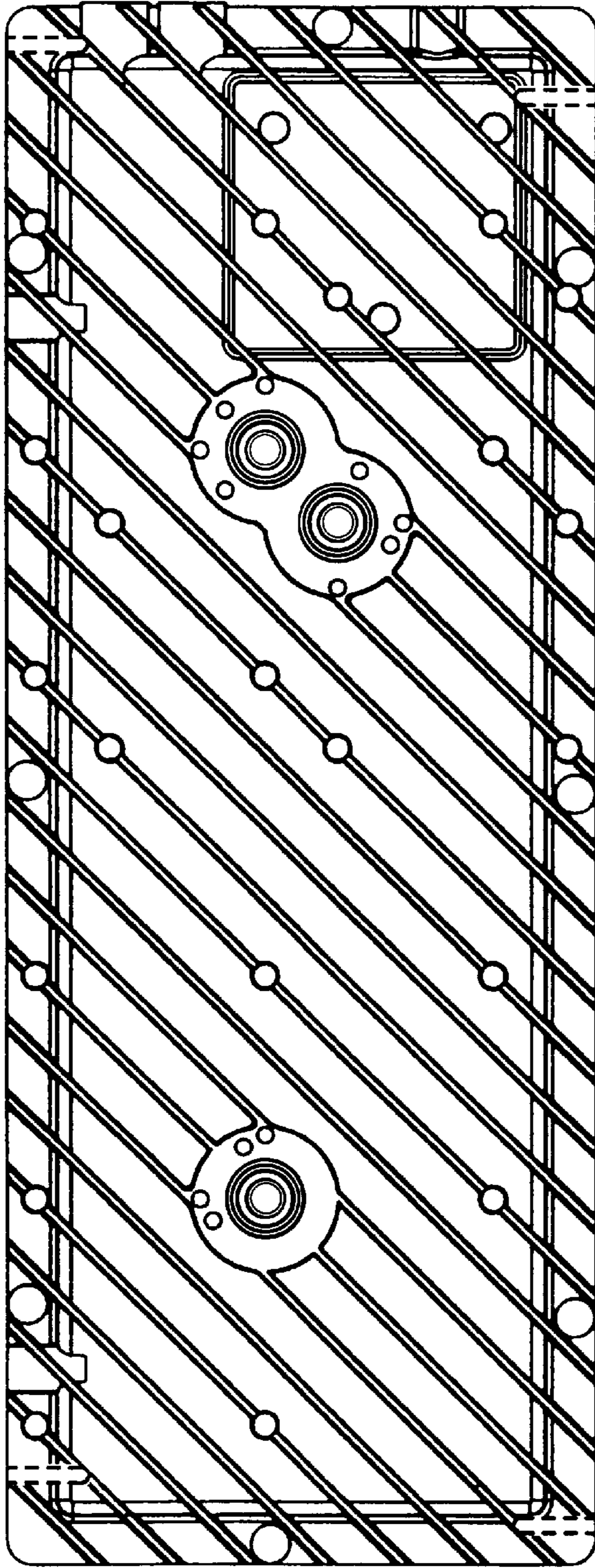


FIG. 5

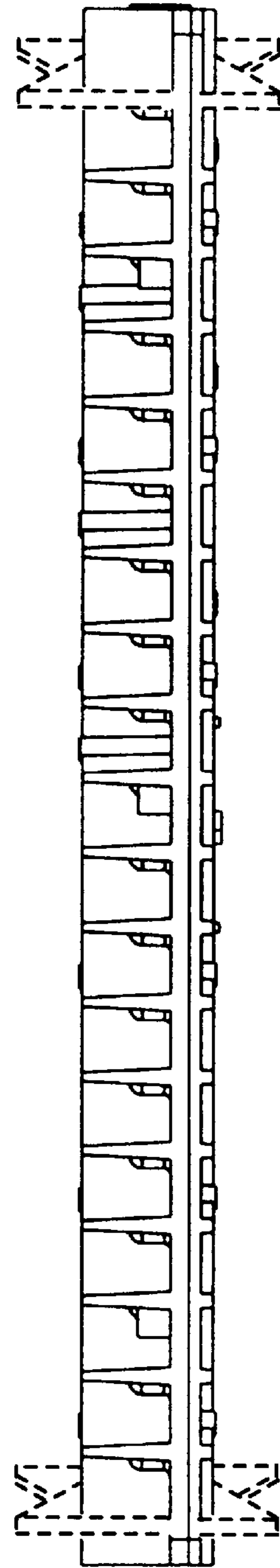


FIG. 6

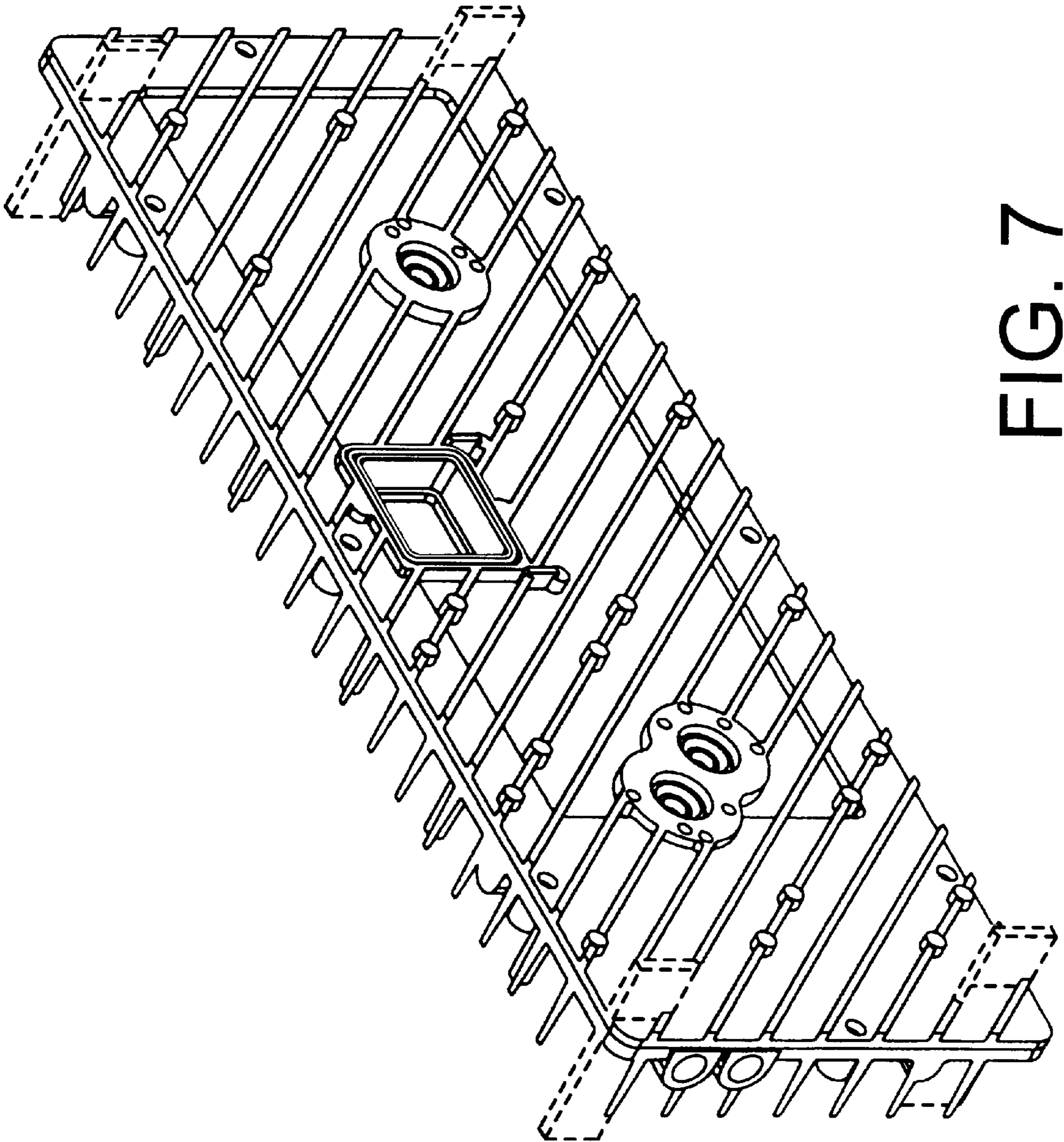


FIG. 7

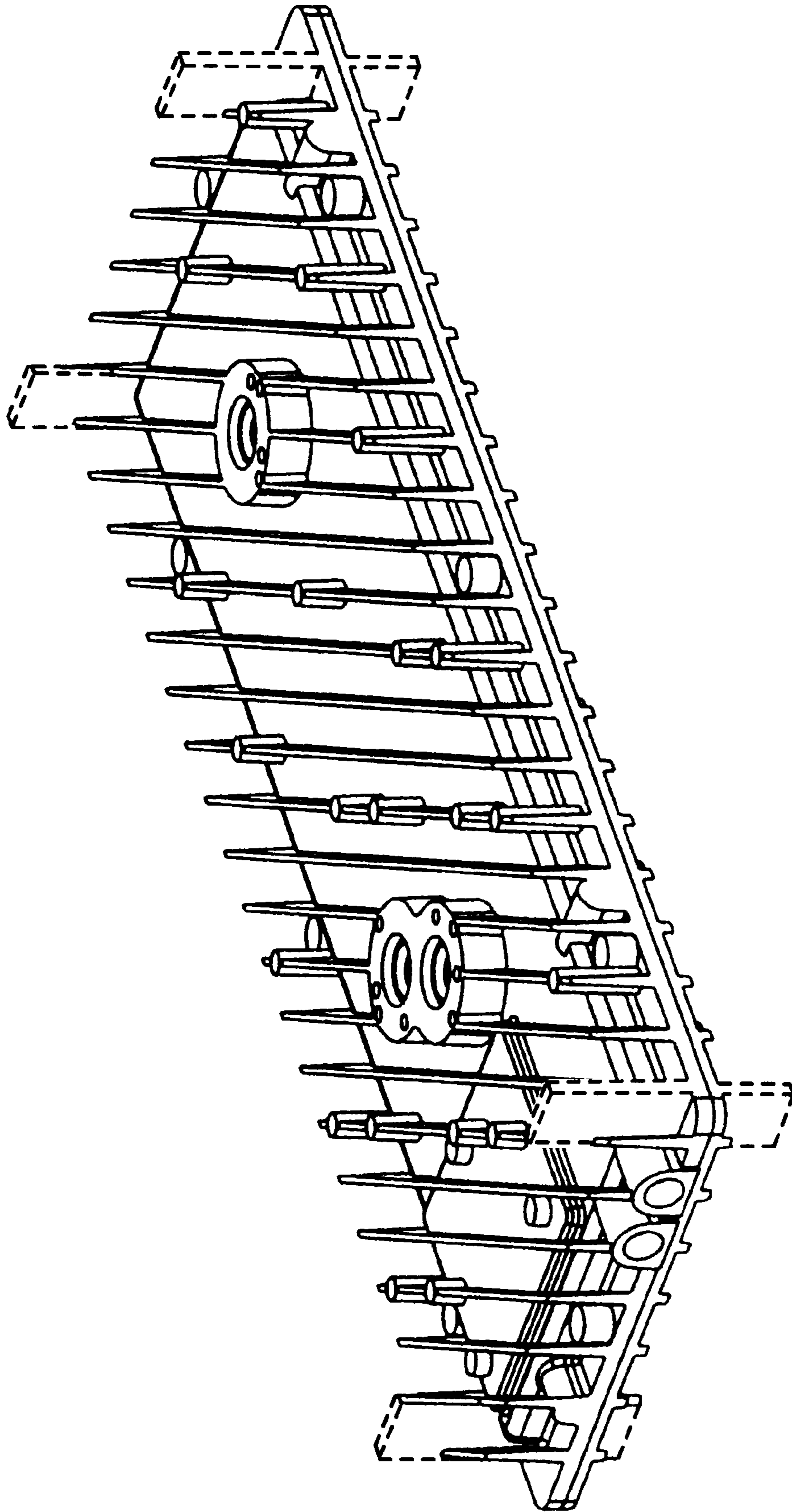


FIG. 8

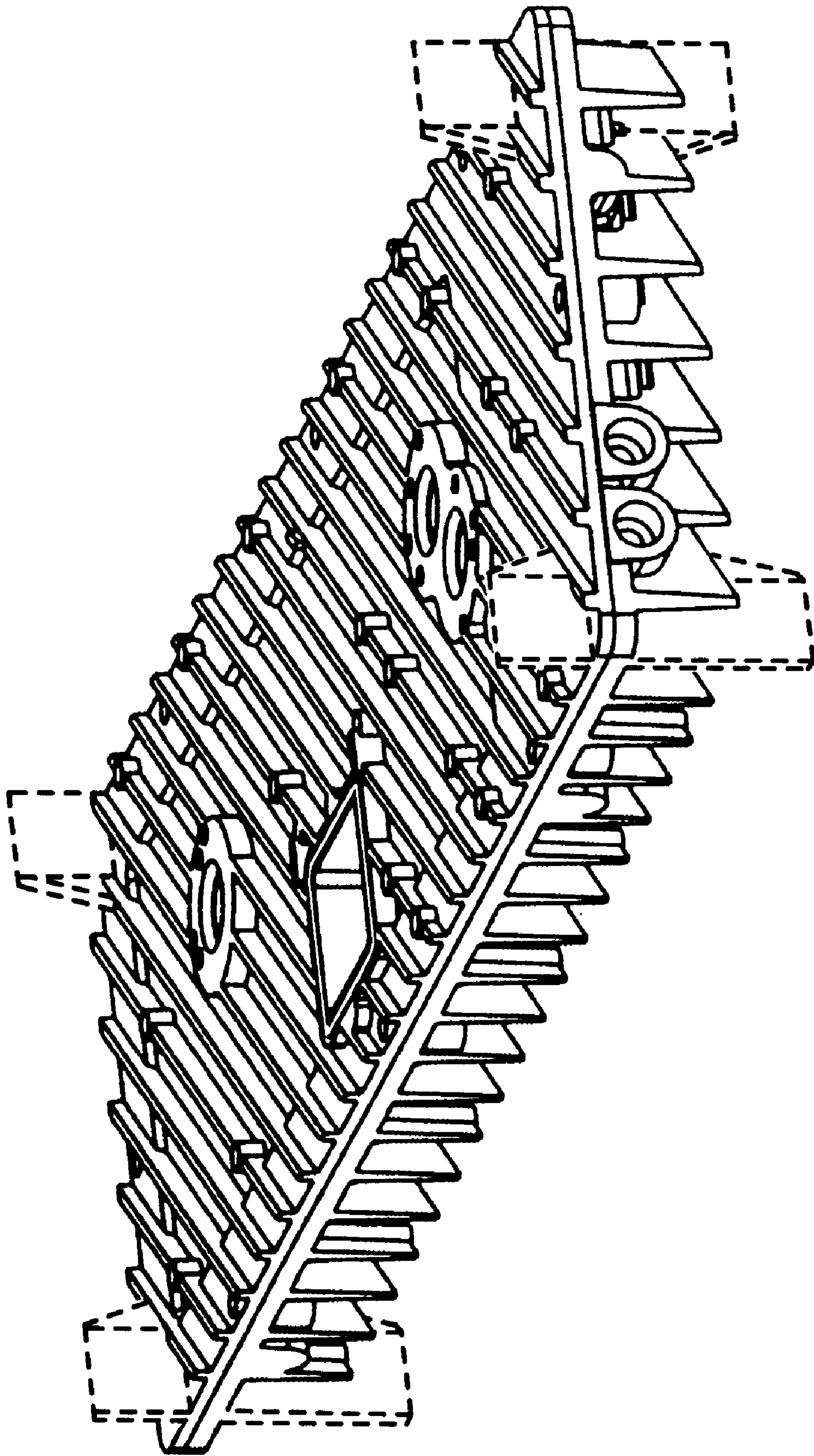


FIG. 9