



US00D410650S

# United States Patent [19] Hara

[11] **Patent Number: Des. 410,650**  
[45] **Date of Patent: \*\* Jun. 8, 1999**

[54] **DIGITAL AUDIO DISK PLAYER WITH CAR TUNER**

D. 372,915 8/1996 Ito et al. .... D14/188  
5,177,730 1/1993 Utsugi ..... 369/75.1

[75] Inventor: **Akira Hara**, Tokyo, Japan

[73] Assignee: **Clarion Co., Ltd.**, Tokyo, Japan

[\*\*] Term: **14 Years**

[21] Appl. No.: **29/088,950**

[22] Filed: **Jun. 4, 1998**

### [30] Foreign Application Priority Data

Jan. 7, 1998 [JP] Japan ..... 10-101

[51] **LOC (6) Cl.** ..... **14-01**

[52] **U.S. Cl.** ..... **D14/168; D14/156; D14/188**

[58] **Field of Search** ..... D14/124, 137,  
D14/157, 158, 168, 188, 197-198, 257-258,  
265, 299; 455/73, 89-90, 128, 345-347;  
369/75.1, 75.2, 77.1, 77.2

### [56] References Cited

#### U.S. PATENT DOCUMENTS

D. 252,027 6/1979 Imazeki ..... D14/198  
D. 351,167 10/1994 Yun ..... D14/157 X  
D. 356,316 3/1995 Culbertson ..... D14/257

*Primary Examiner*—Ted Shooman  
*Assistant Examiner*—Nanda Bondade  
*Attorney, Agent, or Firm*—Jacobson, Price, Holman & Stern, PLLC

### [57] CLAIM

The ornamental design for a digital audio disk player with car tuner, as shown and described.

### DESCRIPTION

FIG. 1 is a perspective view of my new design; FIG. 2 is a front elevational view thereof; FIG. 3 is a rear elevational view thereof; FIG. 4 is a top plan view thereof; FIG. 5 is a bottom plan view thereof; FIG. 6 is a left elevational plan view thereof; FIG. 7 is a right elevational plan view thereof; FIG. 8 is a front view showing movable parts; and, FIG. 9 is a left side view showing movable parts. The undisclosed views of the movable parts of the digital audio disc player with car tuner form no part of the claimed design.

**1 Claim, 4 Drawing Sheets**

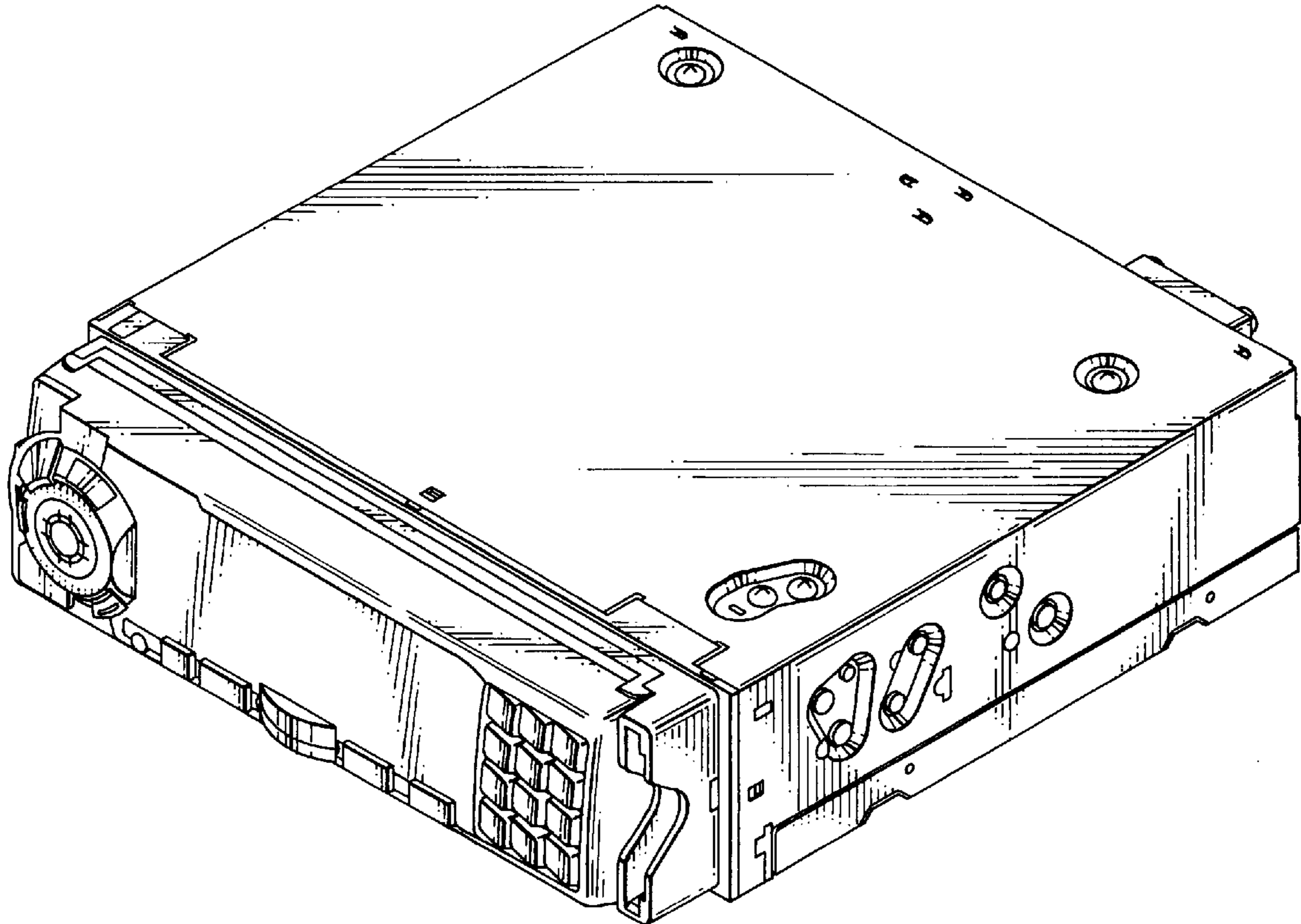


FIG. 1

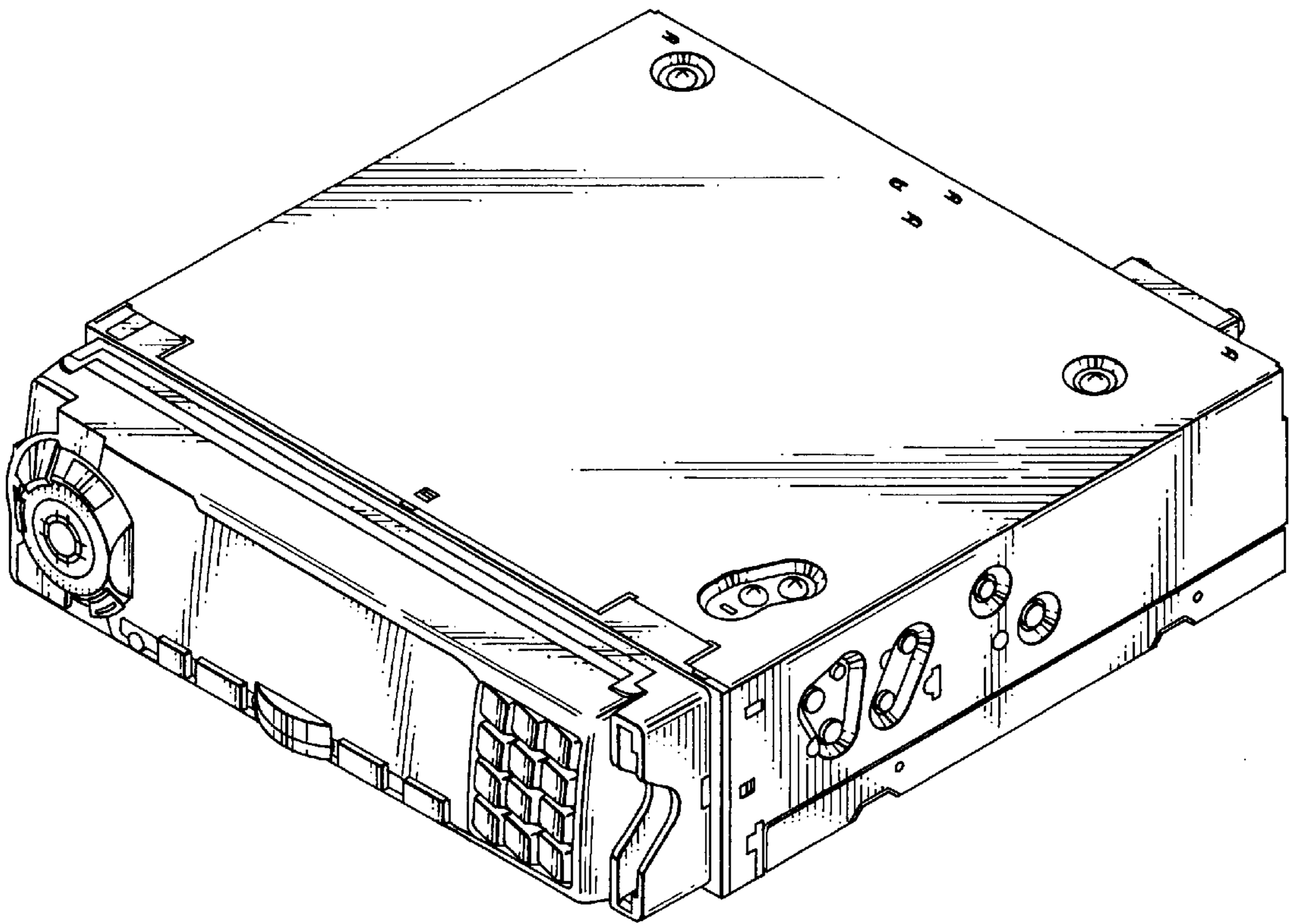


FIG. 2

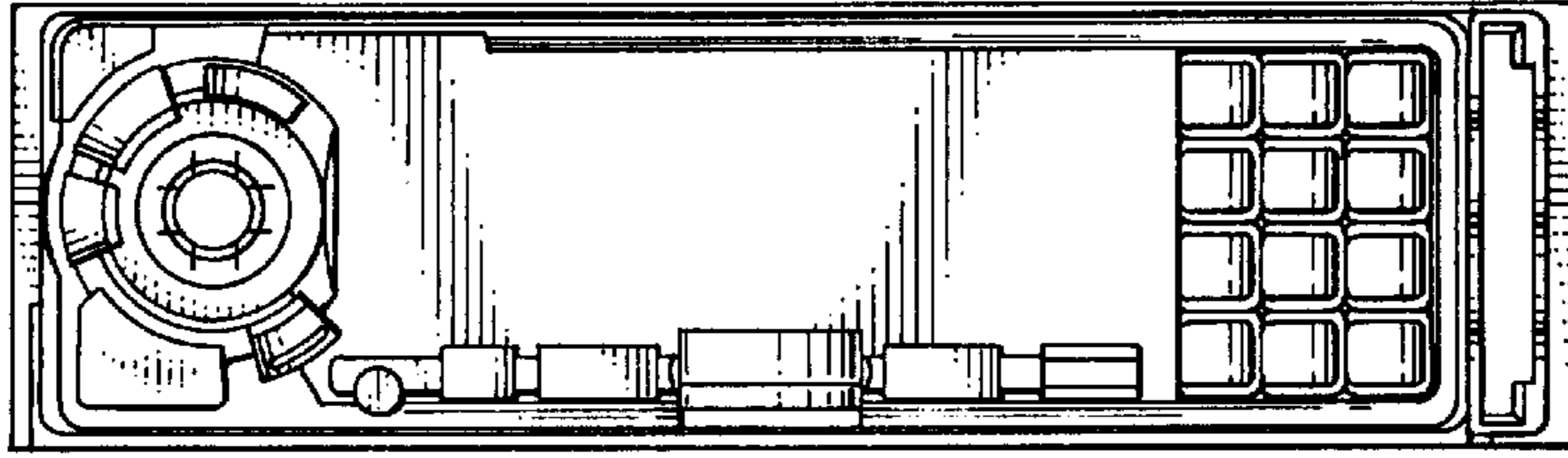


FIG. 3

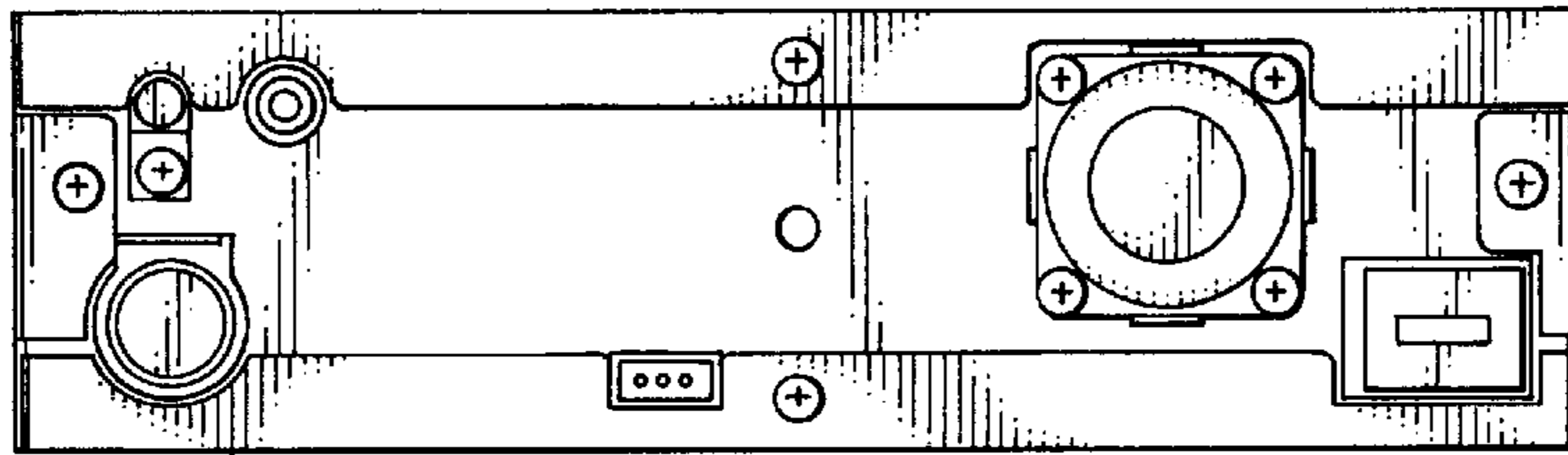


FIG. 4

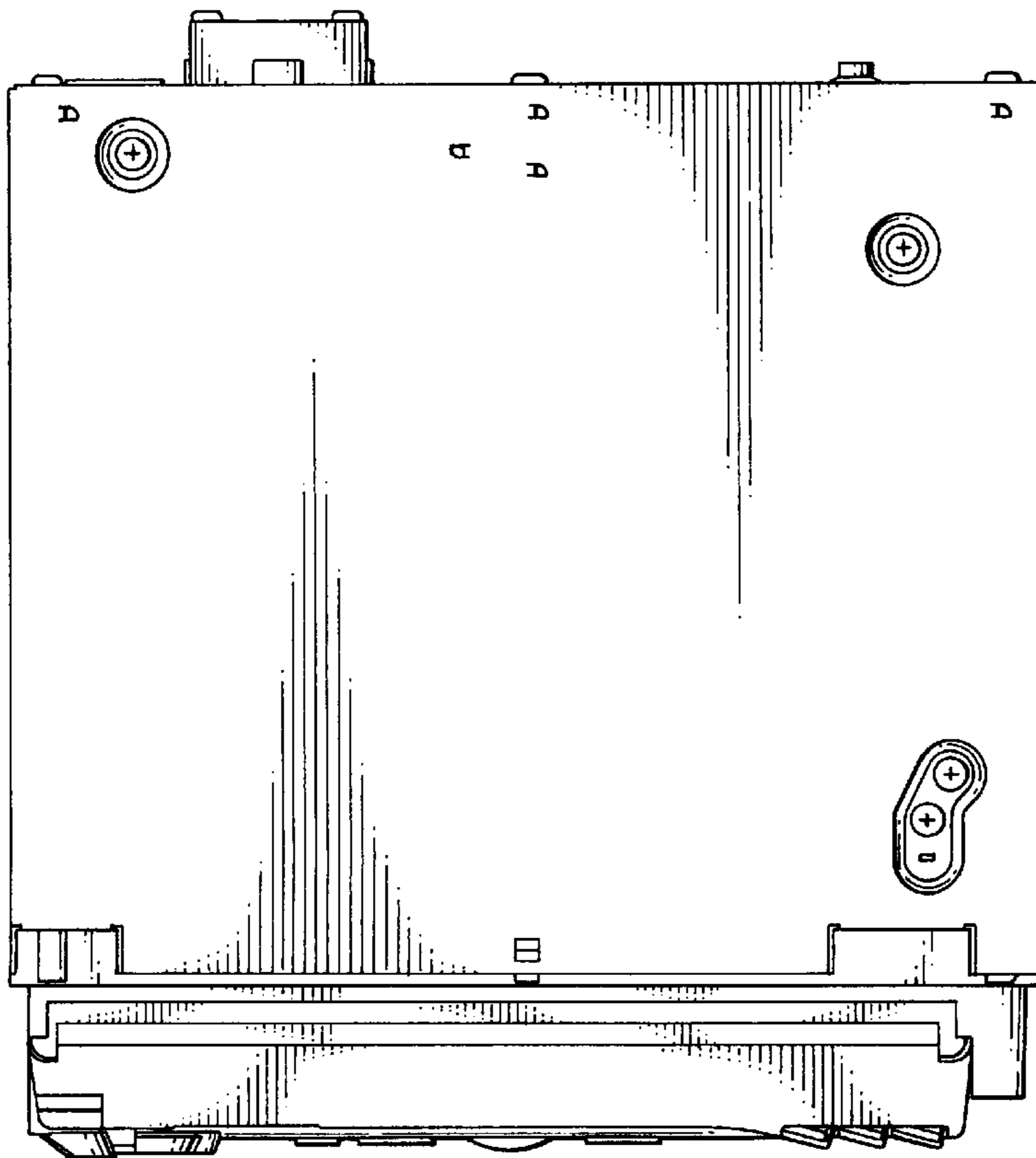


FIG. 5

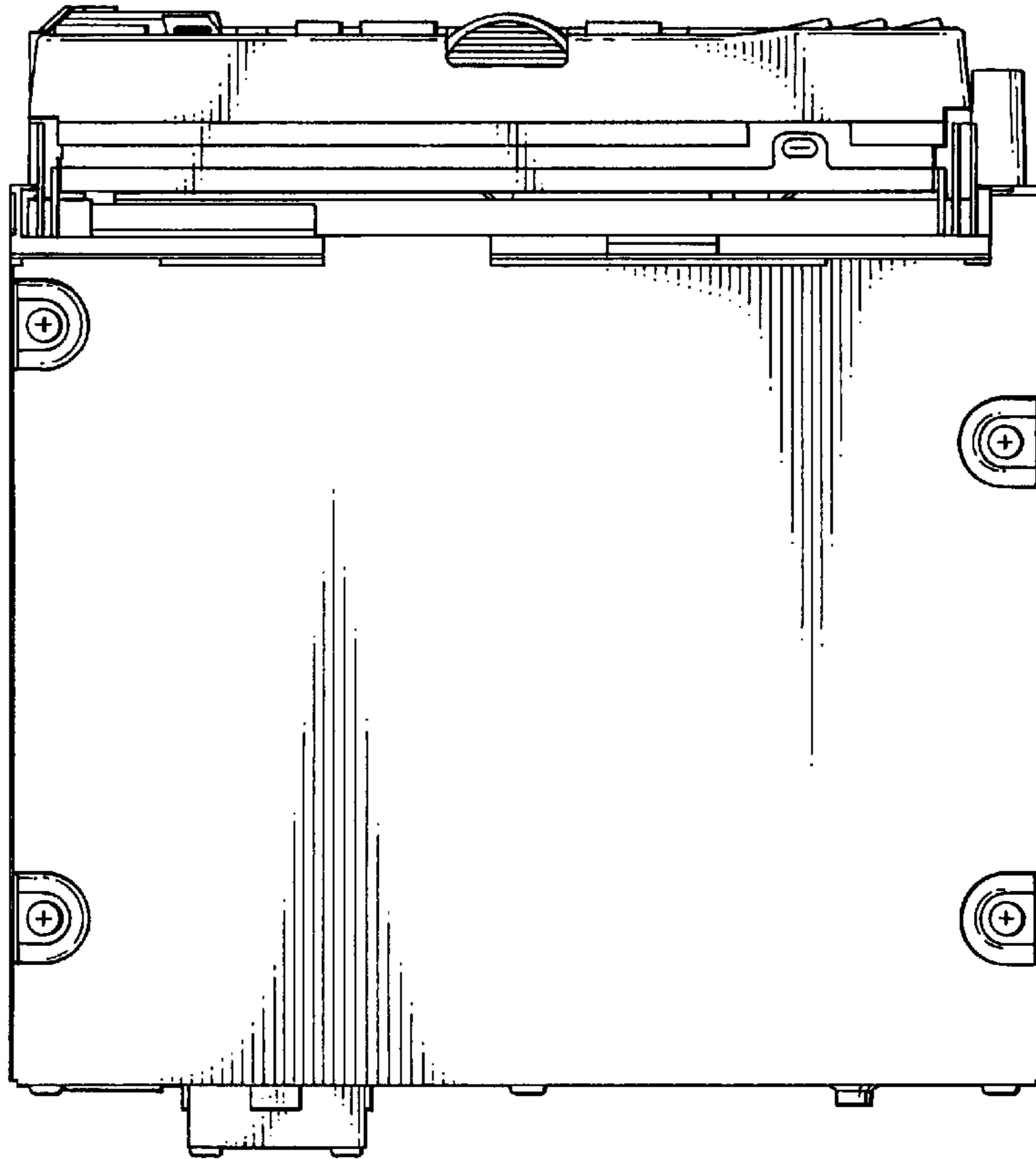


FIG. 6

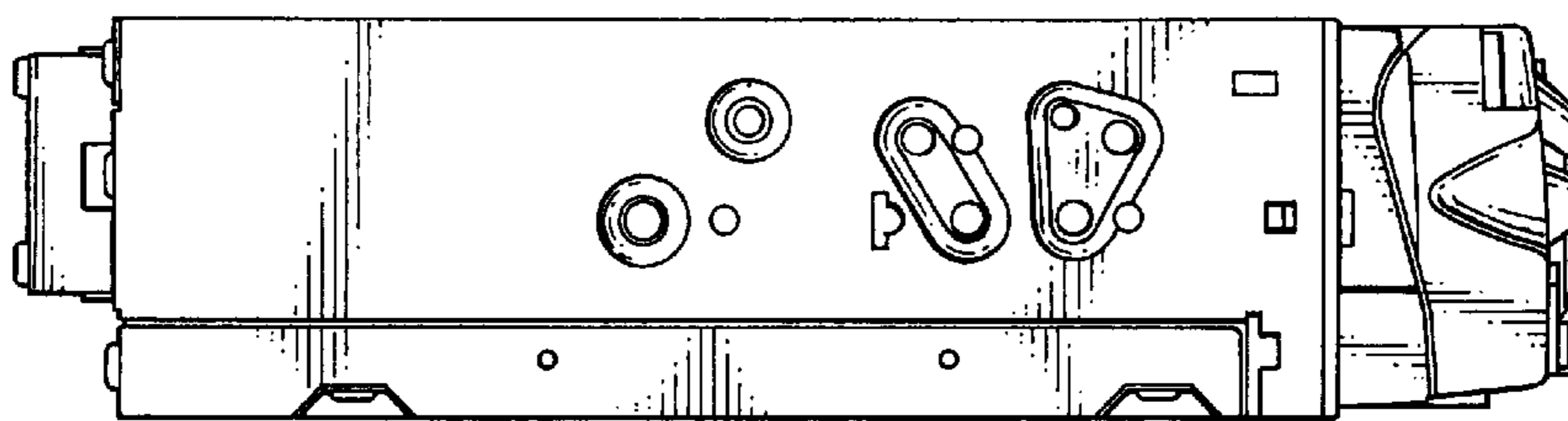


FIG. 7

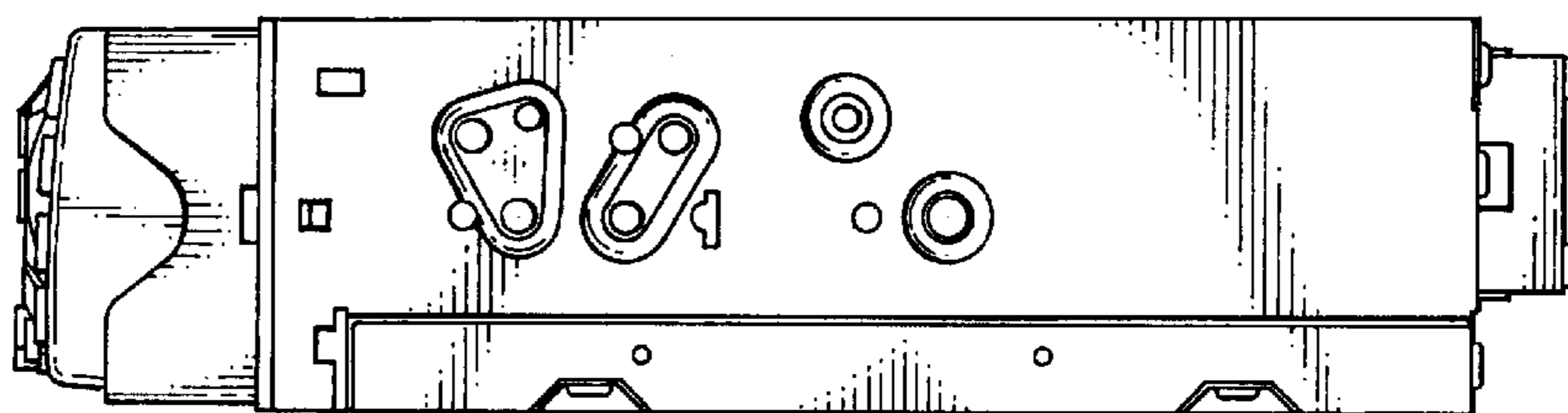


FIG. 8

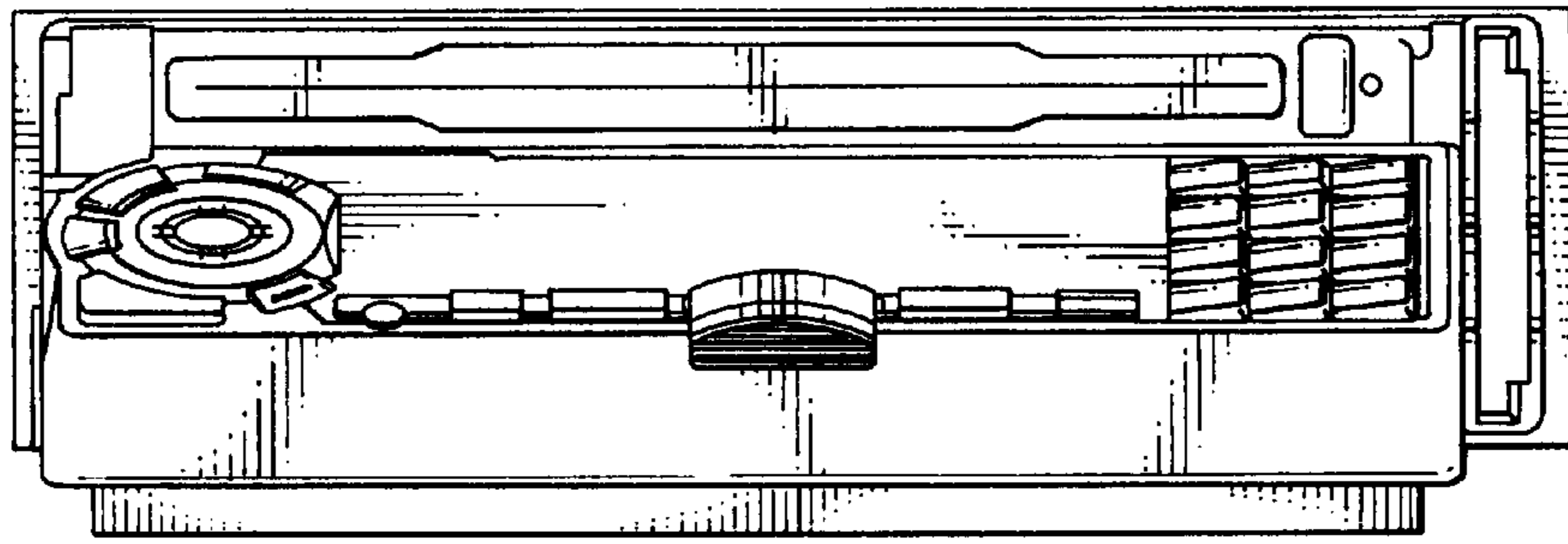


FIG. 9

