



US00D410647S

United States Patent [19] Lytel

[11] **Patent Number: Des. 410,647**
[45] **Date of Patent: ** Jun. 8, 1999**

[54] **TELEPHONE HANDSET**
[75] **Inventor: Ronald Leroy Lytel, Indianapolis, Ind.**
[73] **Assignee: Thomson Consumer Electronics, Inc., Indianapolis, Ind.**
[**] **Term: 14 Years**
[21] **Appl. No.: 29/082,497**
[22] **Filed: Jan. 23, 1998**
[51] **LOC (6) Cl. 14-03**
[52] **U.S. Cl. D14/147**
[58] **Field of Search D14/137, 138, D14/147-148, 247-248, 250, 240, 140-142; 379/433, 434, 419, 420, 428, 440; 455/550-575, 90**

D. 372,027 7/1996 Tomoike D14/151
D. 375,739 11/1996 Boykiw D14/147
D. 388,432 12/1997 Lytel D14/149
D. 401,578 11/1998 Lytel D14/147
5,581,599 12/1996 Tsuji et al. 455/566 X

Primary Examiner—Jeffrey Asch
Attorney, Agent, or Firm—Woodard, Emhardt, Naughton, Moriarty & McNett

[57] CLAIM

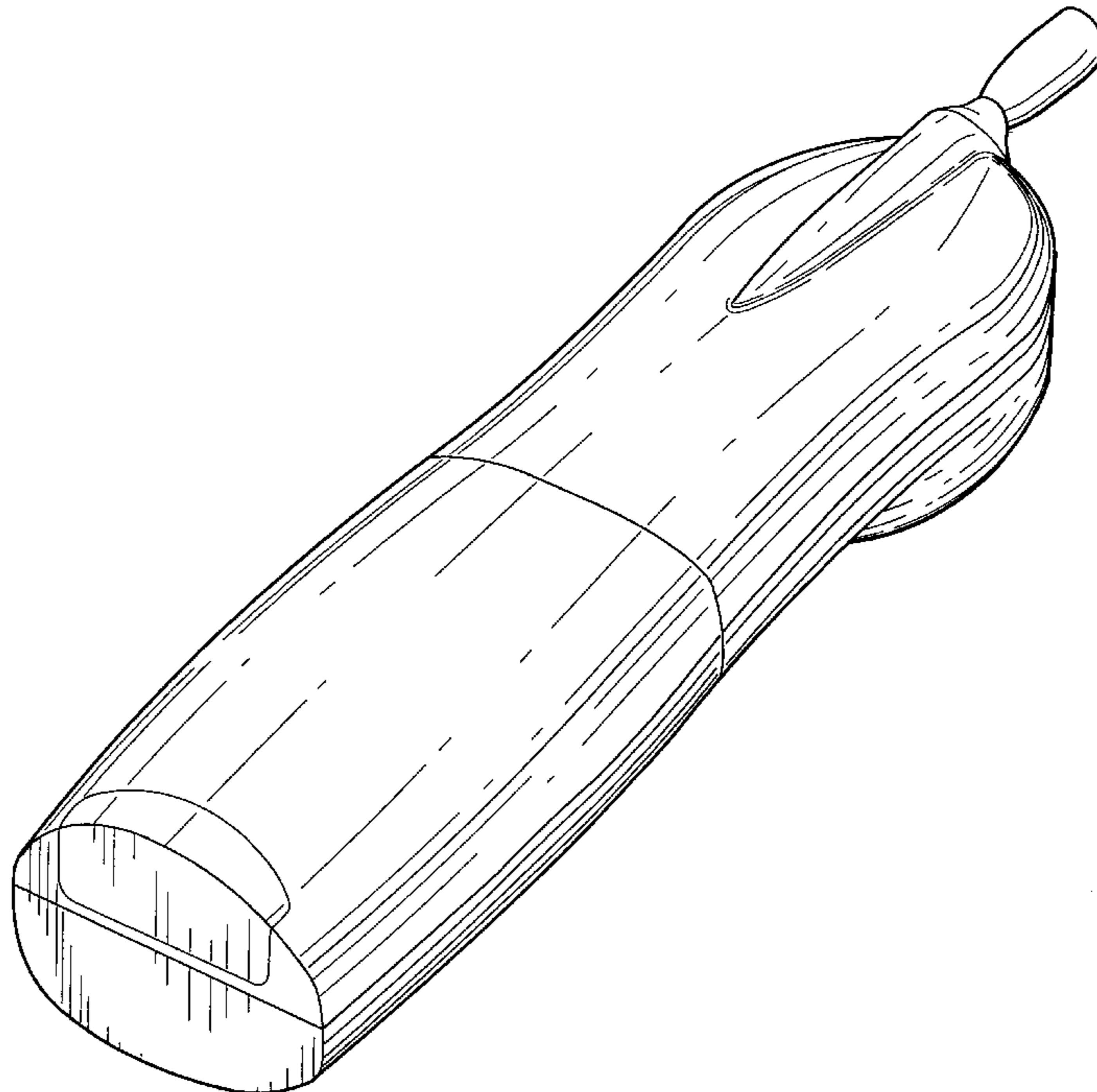
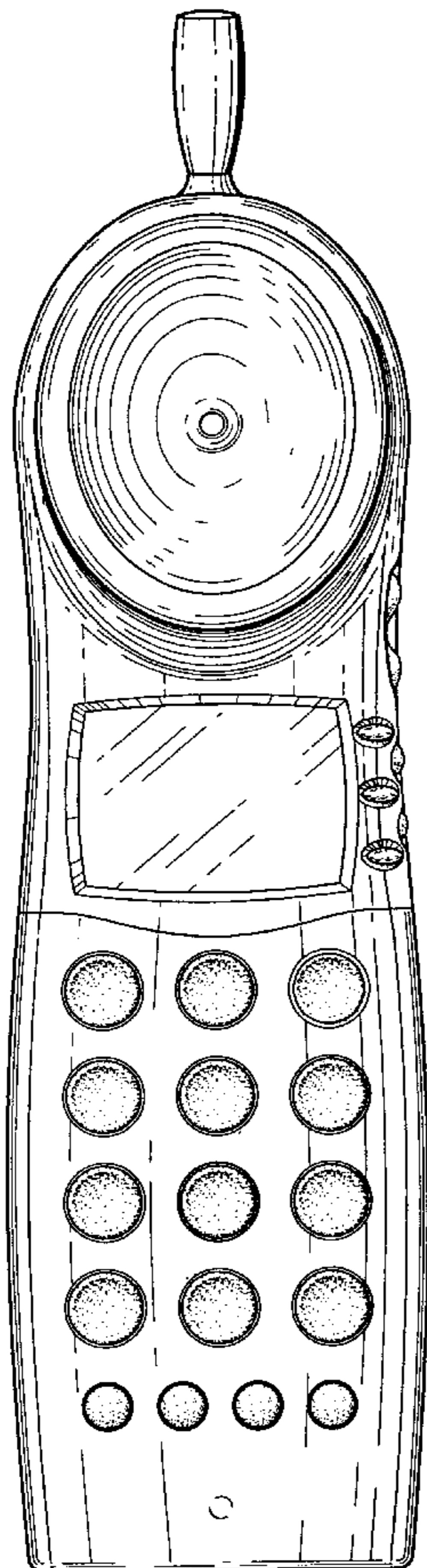
The ornamental design for a telephone handset, as shown and described.

DESCRIPTION

FIG. 1 is a front elevational view of a telephone handset showing my new design;
FIG. 2 is a rear elevational view thereof;
FIG. 3 is a right side elevational view thereof;
FIG. 4 is a left side elevational view thereof;
FIG. 5 is a top plan view thereof;
FIG. 6 is a bottom plan view thereof; and
FIG. 7 is a rear, left side, and bottom perspective view thereof; and,
FIG. 8 is a rear, left side, and bottom perspective view of the telephone handset of FIG. 1, as shown in one environment, the environment being in broken lines, the environment not being a part of the claimed design.

- [56] **References Cited**
- U.S. PATENT DOCUMENTS
- | | | | | |
|------------|---------|------------------|-------|---------|
| D. 295,625 | 5/1988 | Watanabe | | D14/138 |
| D. 305,118 | 12/1989 | Pfeifer et al. | | D14/138 |
| D. 347,005 | 5/1994 | Suzuki | | D14/138 |
| D. 352,029 | 11/1994 | Cowan | | D14/138 |
| D. 353,374 | 12/1994 | Heijnen | | D14/149 |
| D. 353,808 | 12/1994 | Taniguchi et al. | | D14/138 |
| D. 355,912 | 2/1995 | Wicks et al. | | D14/148 |
| D. 368,473 | 4/1996 | Nijima et al. | | D14/138 |

1 Claim, 5 Drawing Sheets



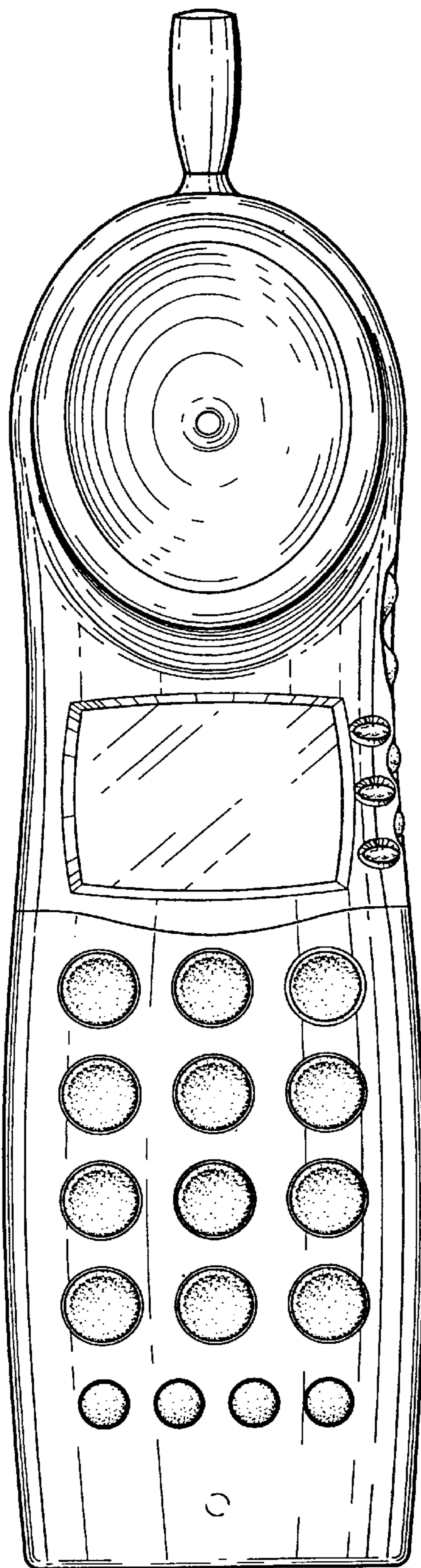


Fig. 1

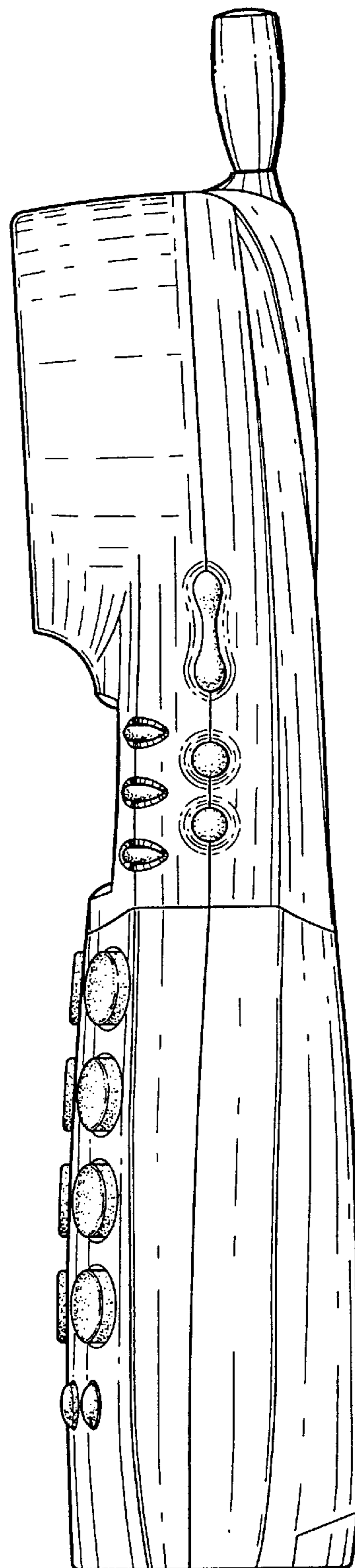


Fig. 3

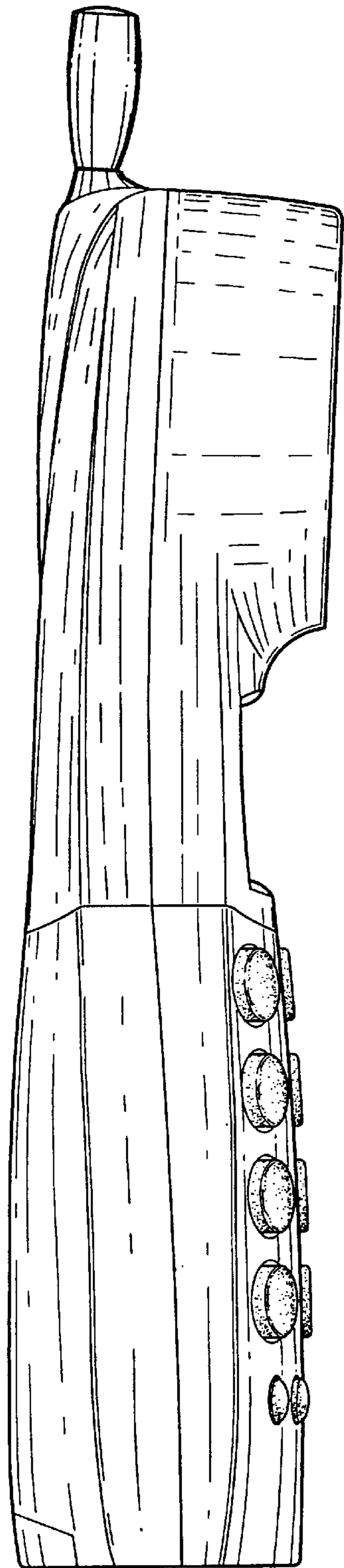


Fig. 4

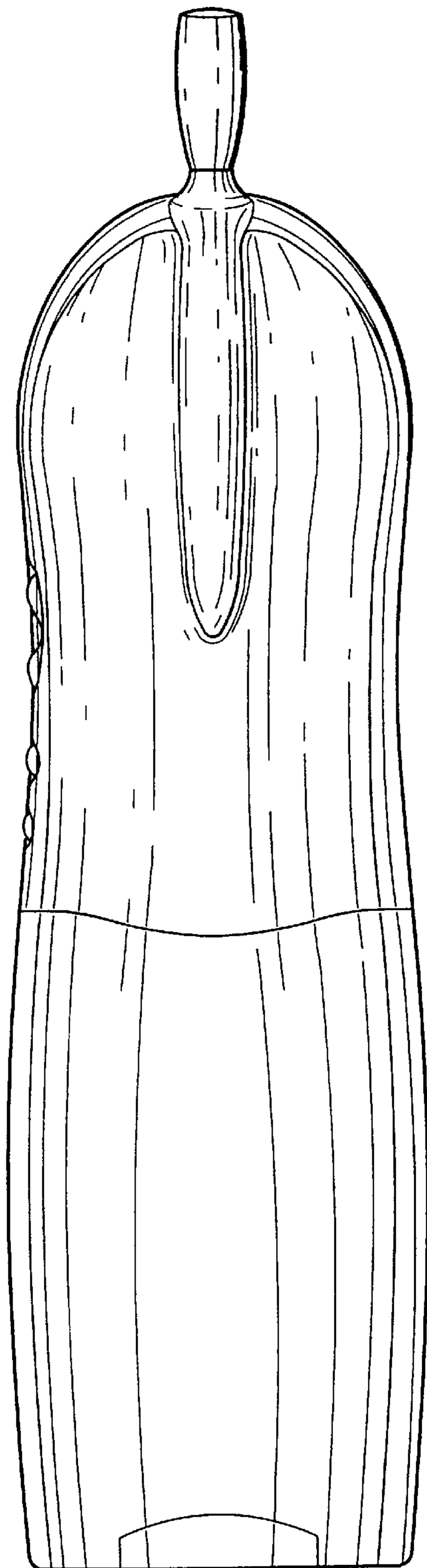


Fig. 2

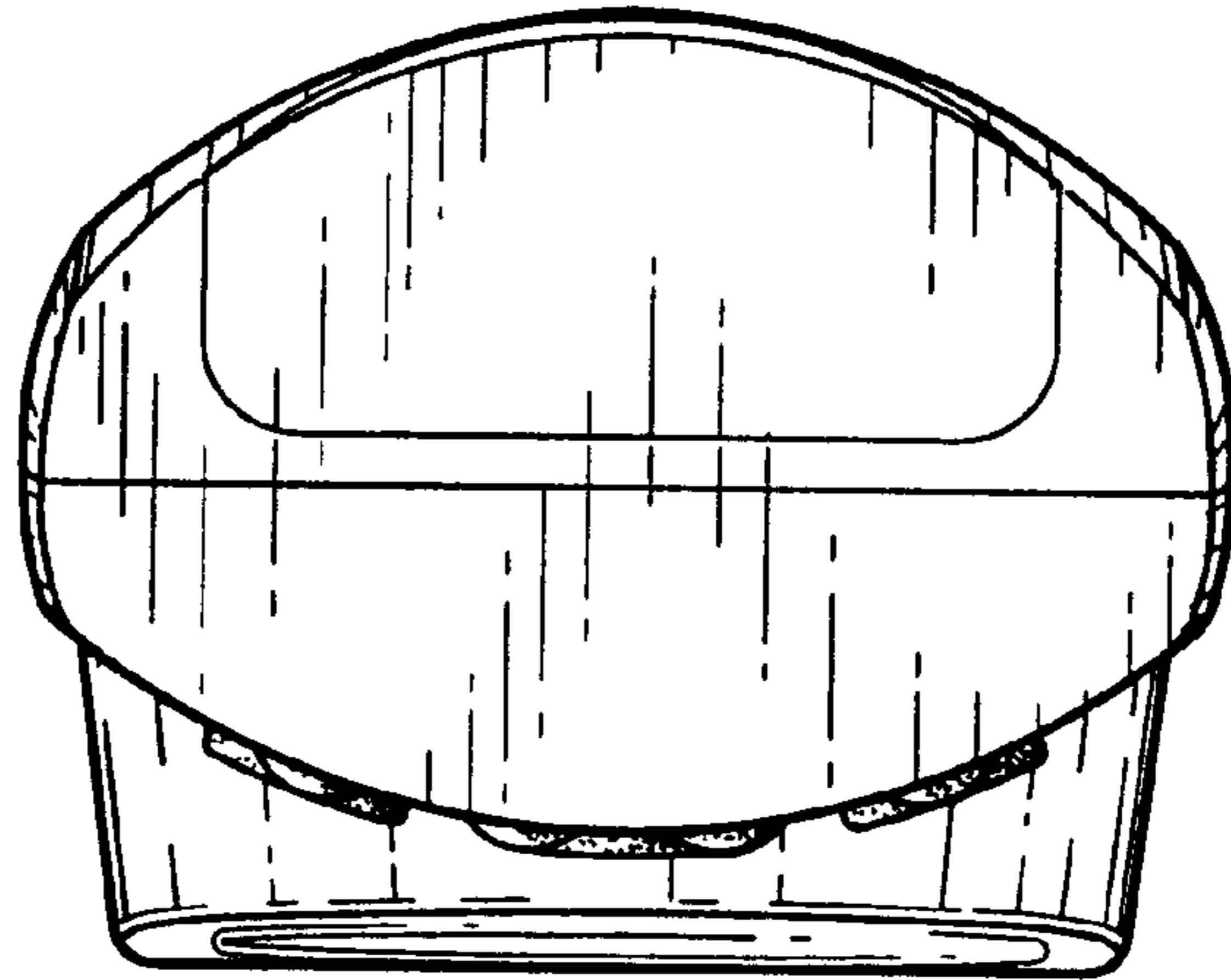


Fig. 6

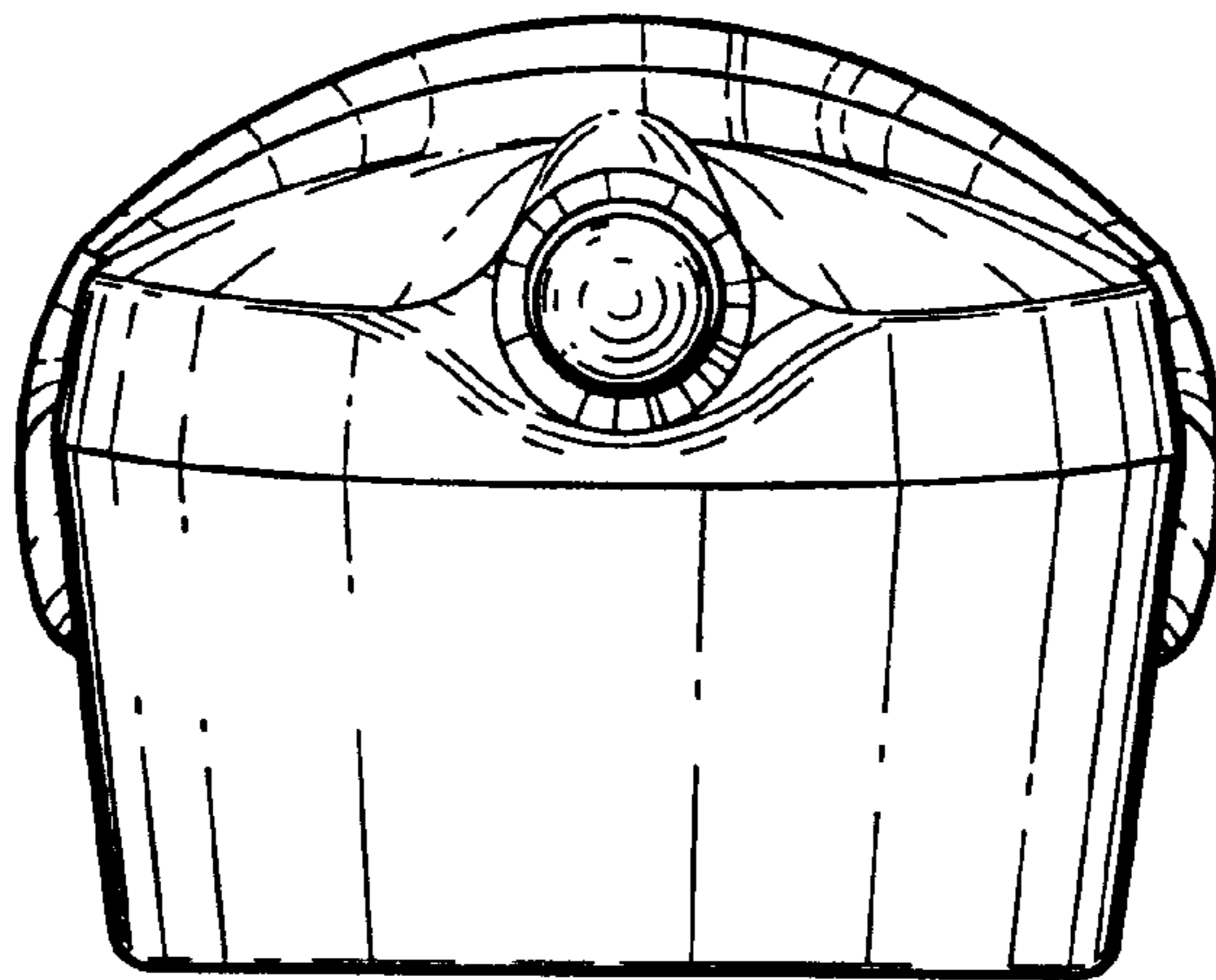


Fig. 5

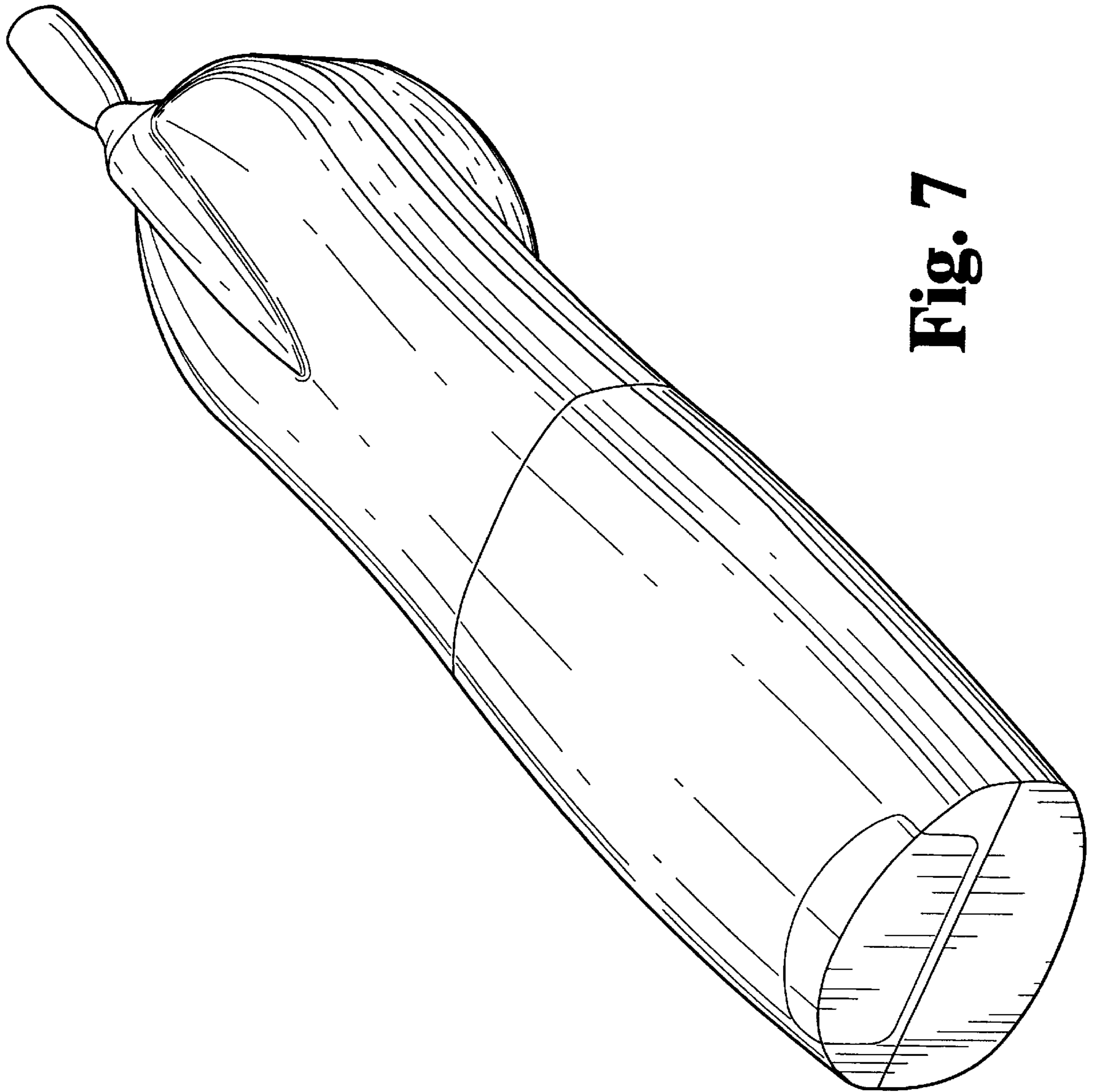


Fig. 7

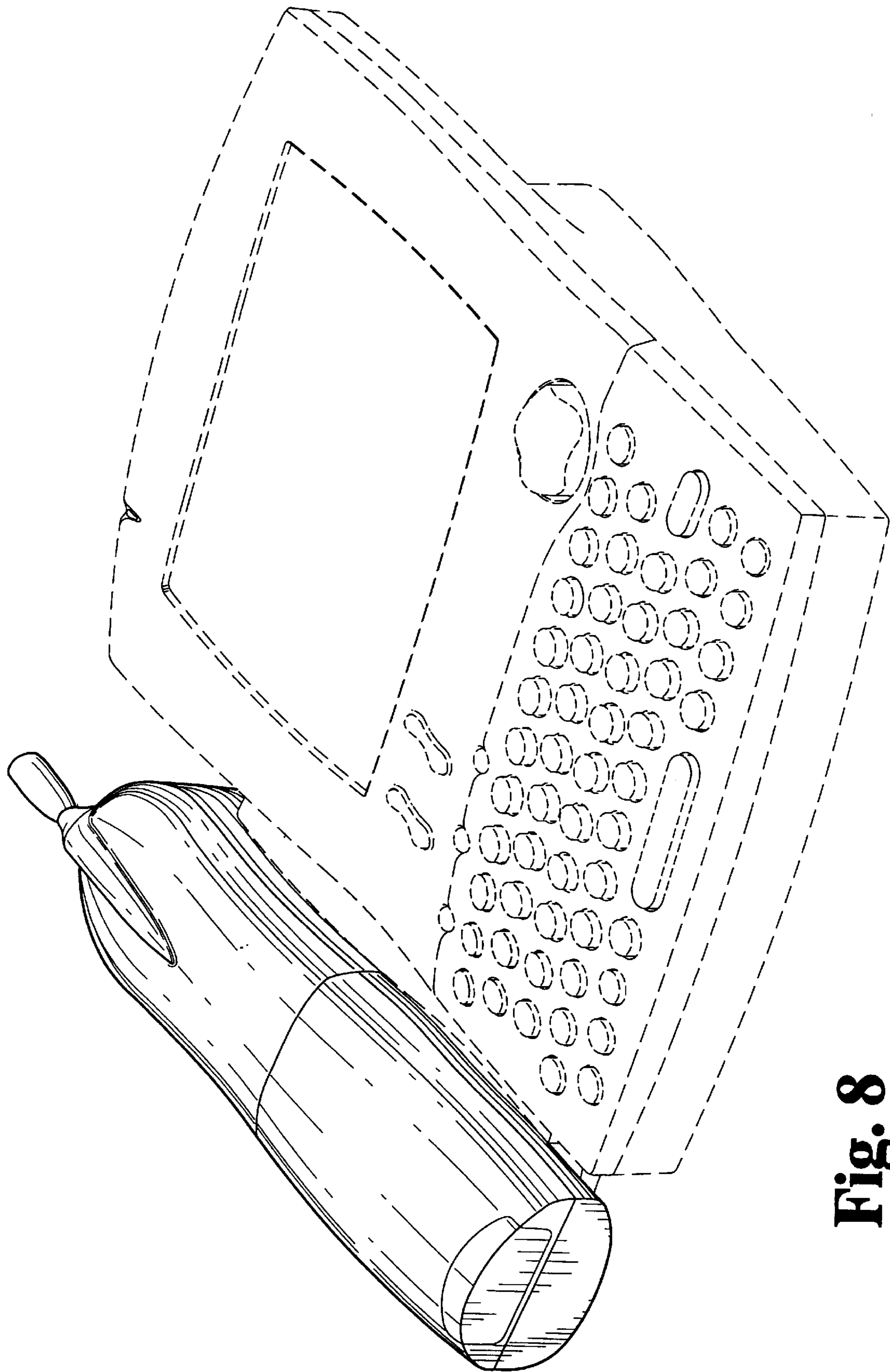


Fig. 8