



US00D410646S

United States Patent [19]
McClellan

[11] **Patent Number: Des. 410,646**
[45] **Date of Patent: ** Jun. 8, 1999**

[54] **COIN SLOT GUARD**

[76] Inventor: **W. Thomas McClellan**, 2571 Del Lago Dr., Fort Lauderdale, Fla. 33316

[**] Term: **14 Years**

[21] Appl. No.: **29/093,195**

[22] Filed: **Sep. 4, 1998**

[51] **LOC (6) Cl.** **14-03**

[52] **U.S. Cl.** **D14/146; D21/9**

[58] **Field of Search** D14/137, 138,
D14/140, 142, 147-151, 146, 240; 379/433-436,
419, 420, 428, 440, 430, 453, 143-155,
368; 194/350, 351; D20/1-9

[56] **References Cited**

U.S. PATENT DOCUMENTS

D. 172,200	5/1954	Smith	D20/8
D. 214,687	7/1969	Unter	D20/9
D. 215,020	8/1969	Unter	D20/9
D. 389,521	1/1998	McClellan	D20/9
1,748,280	2/1930	Veto	194/351
4,846,333	7/1989	Kissick	194/350
5,524,143	6/1996	Turk et al.	379/150

Primary Examiner—Jeffrey Asch

Attorney, Agent, or Firm—Herbert L. Lerner; Laurence A. Greenberg

[57] **CLAIM**

The ornamental design for a coin slot guard, as shown and described.

DESCRIPTION

FIG. 1 is a right-side, perspective view showing my new design of a coin slot guard having a coin entry on the right side;

FIG. 2 is a top plan view thereof;

FIG. 3 is rear view thereof;

FIG. 4 is a left-side, perspective view thereof;

FIG. 5 is a bottom plan view thereof;

FIG. 6 is a right, side-elevation view thereof;

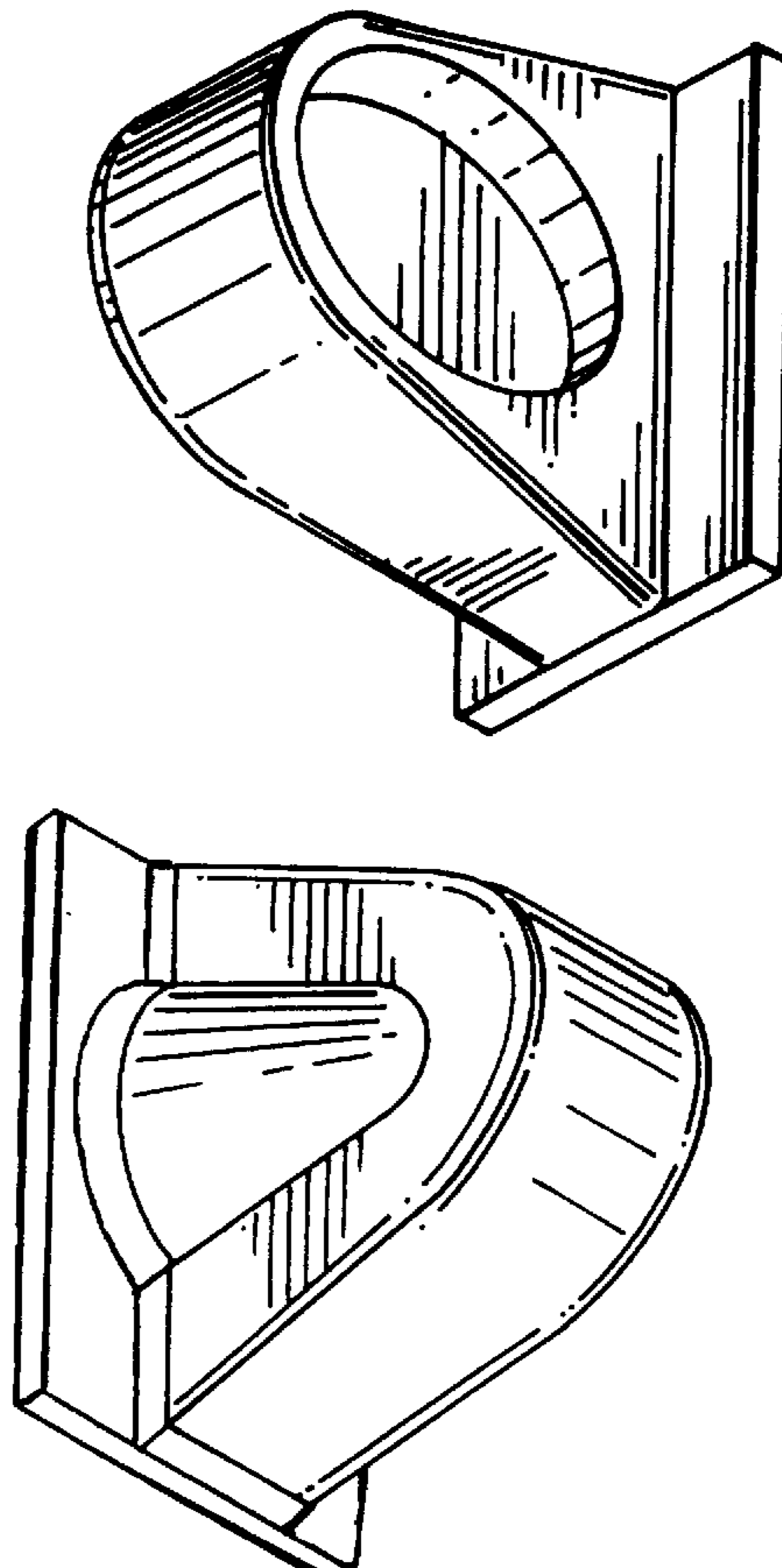
FIG. 7 is a front elevational view of the coin guard disposed on a telephone drawn in dashed lines wherein the telephone is environmental structure that forms no part of the invention;

FIG. 8 is a left-side, perspective view of a second embodiment of the coin guard with a coin entry on the left side; and,

FIG. 9 is a front elevational view of the coin guard with the coin entry on the left side disposed on a telephone drawn in dashed lines wherein the telephone is environmental structure that forms no part of the invention.

The second embodiment shown in FIGS. 8 and 9 is the same in appearance as the first embodiment except that the surfaces of the second embodiment are respectively mirror images of the surfaces of the first embodiment.

1 Claim, 4 Drawing Sheets



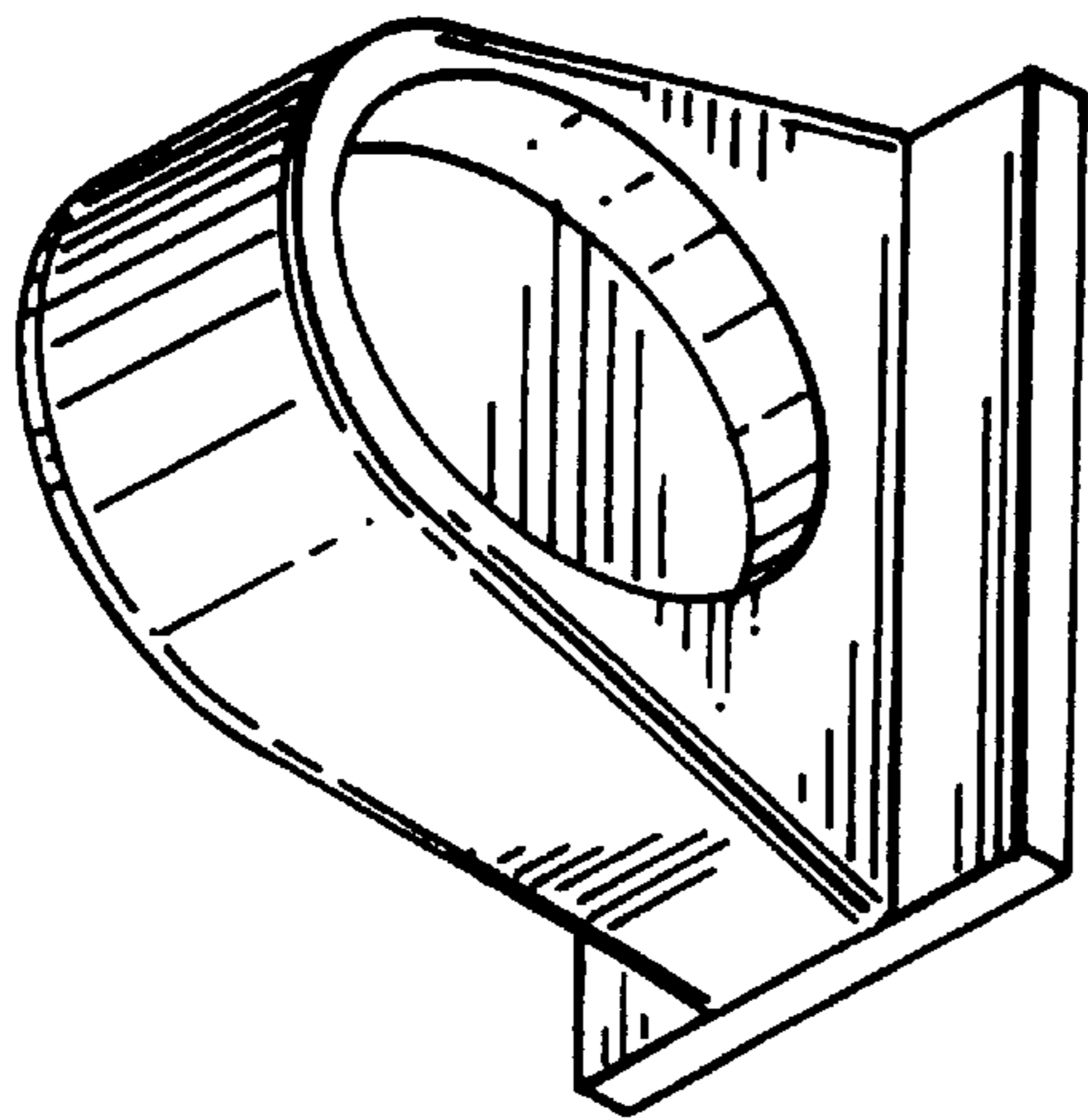


Fig. 1

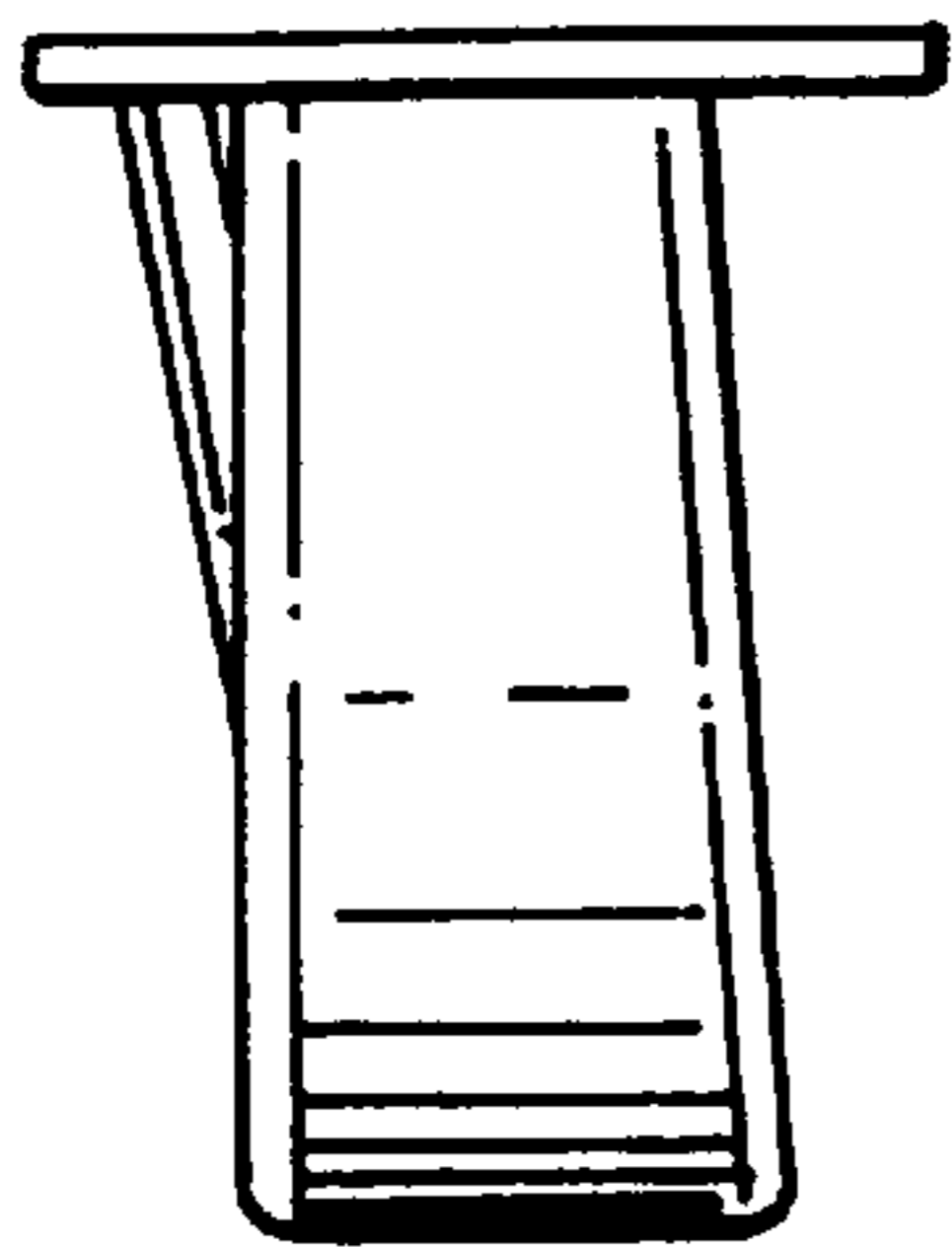


Fig. 2

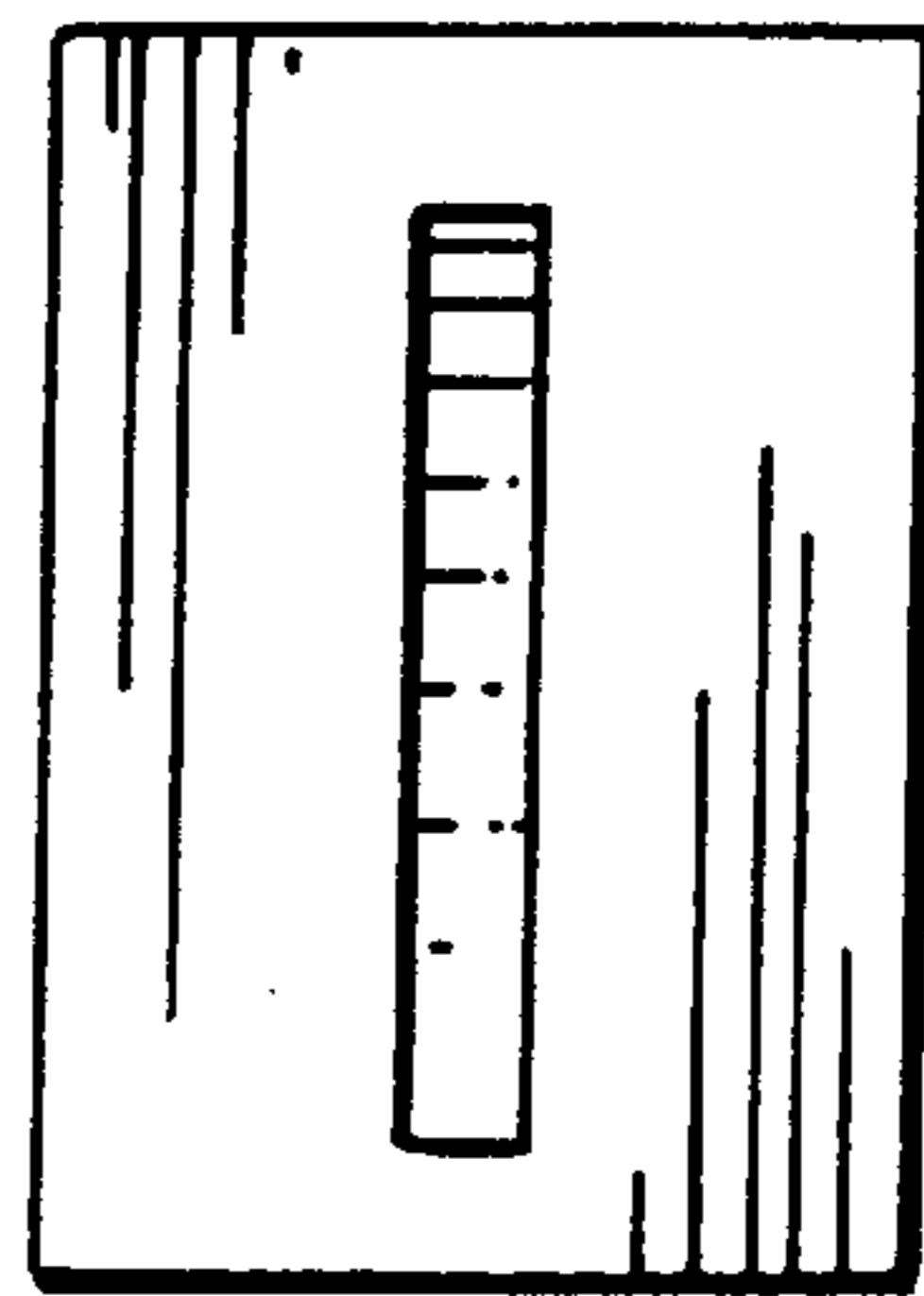


Fig. 3

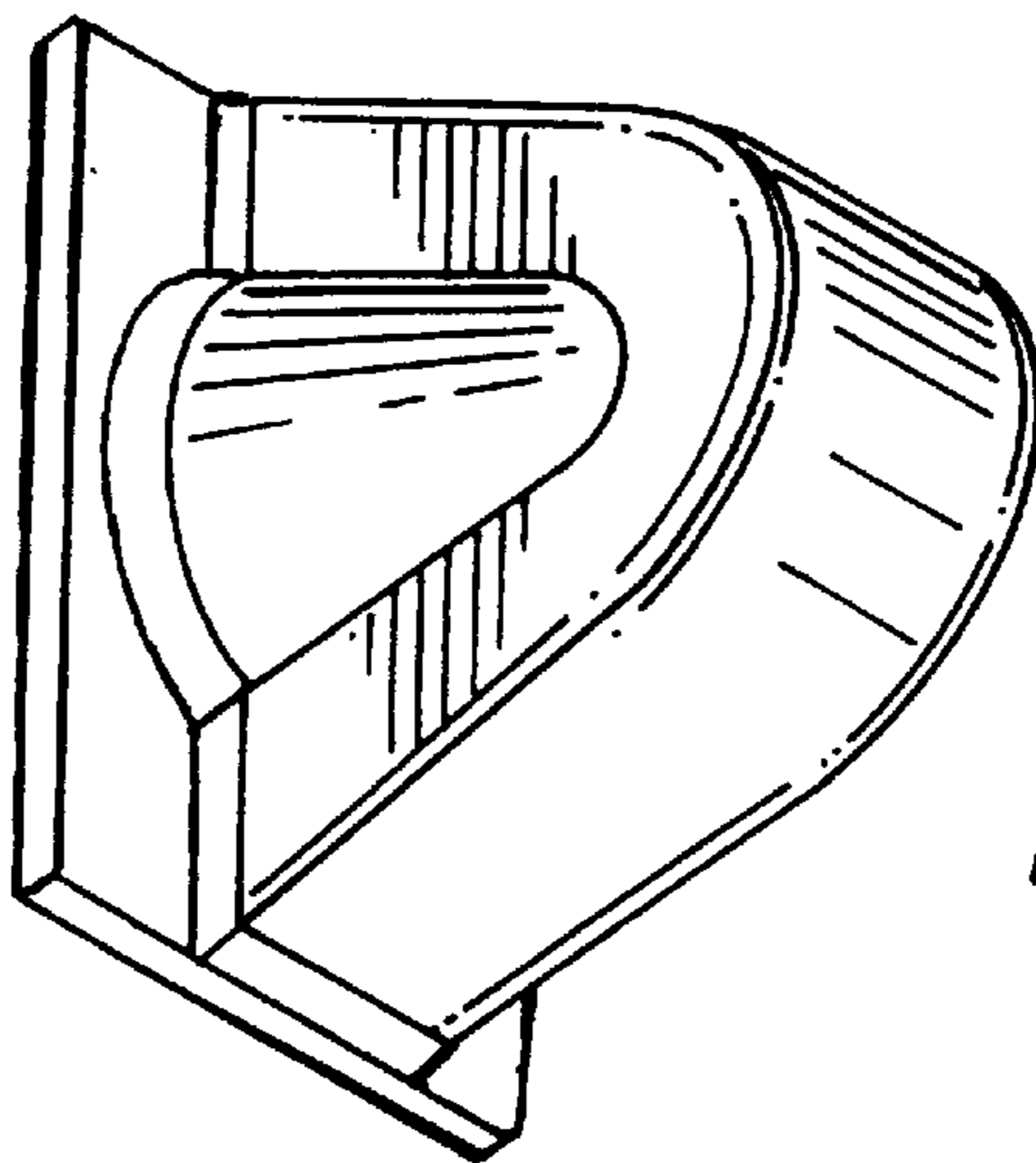


Fig. 4

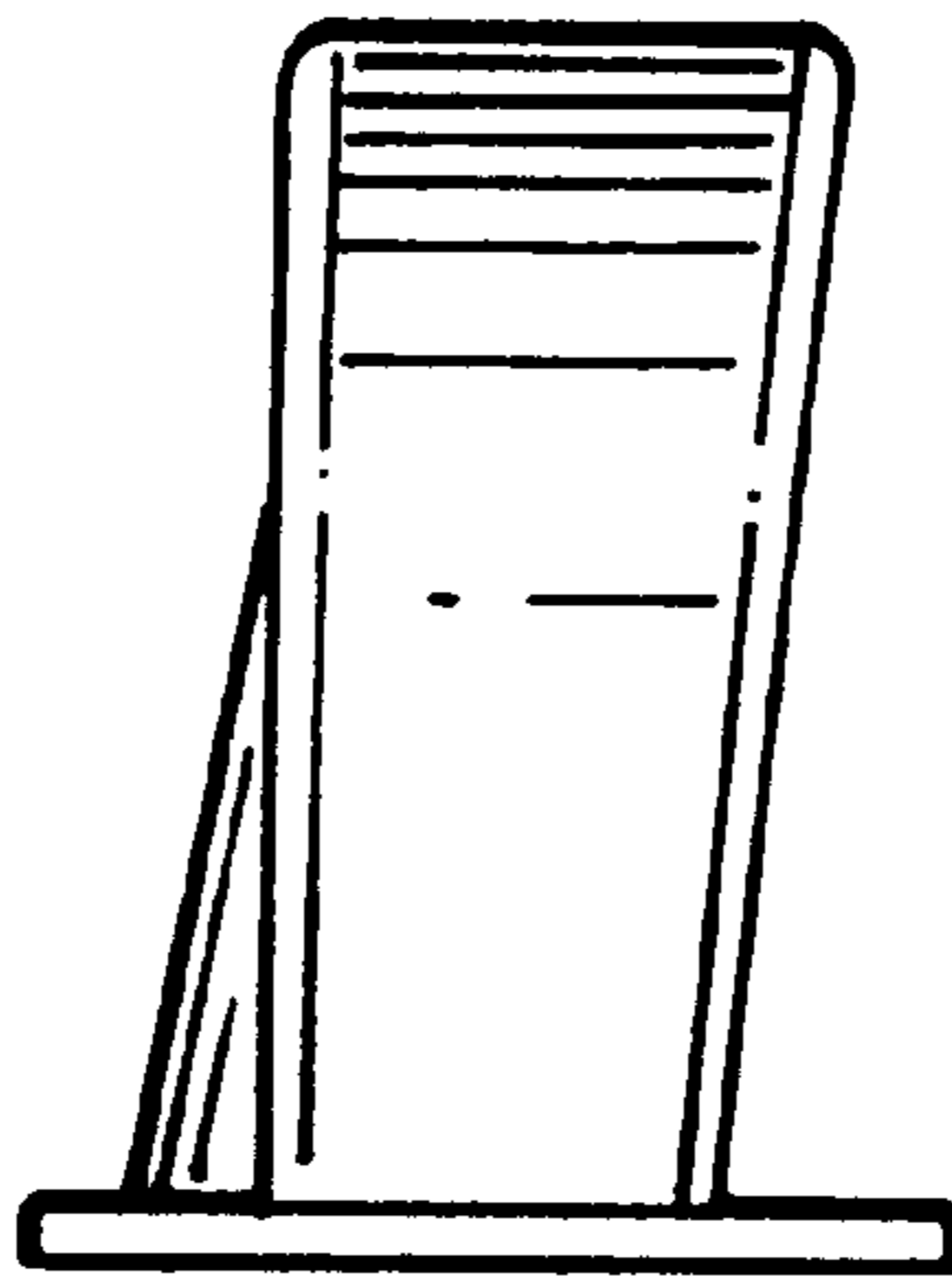


Fig. 5

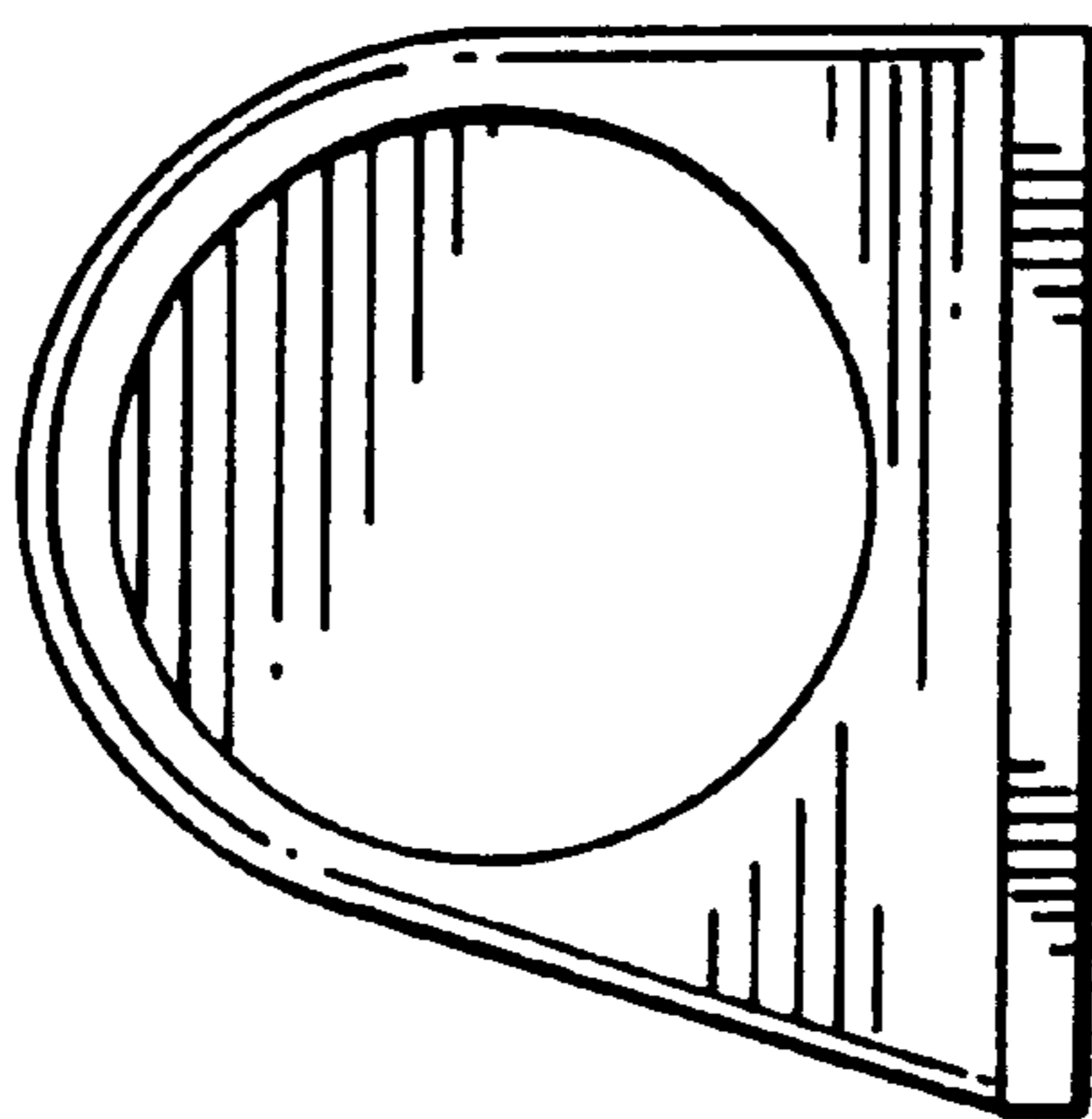


Fig. 6

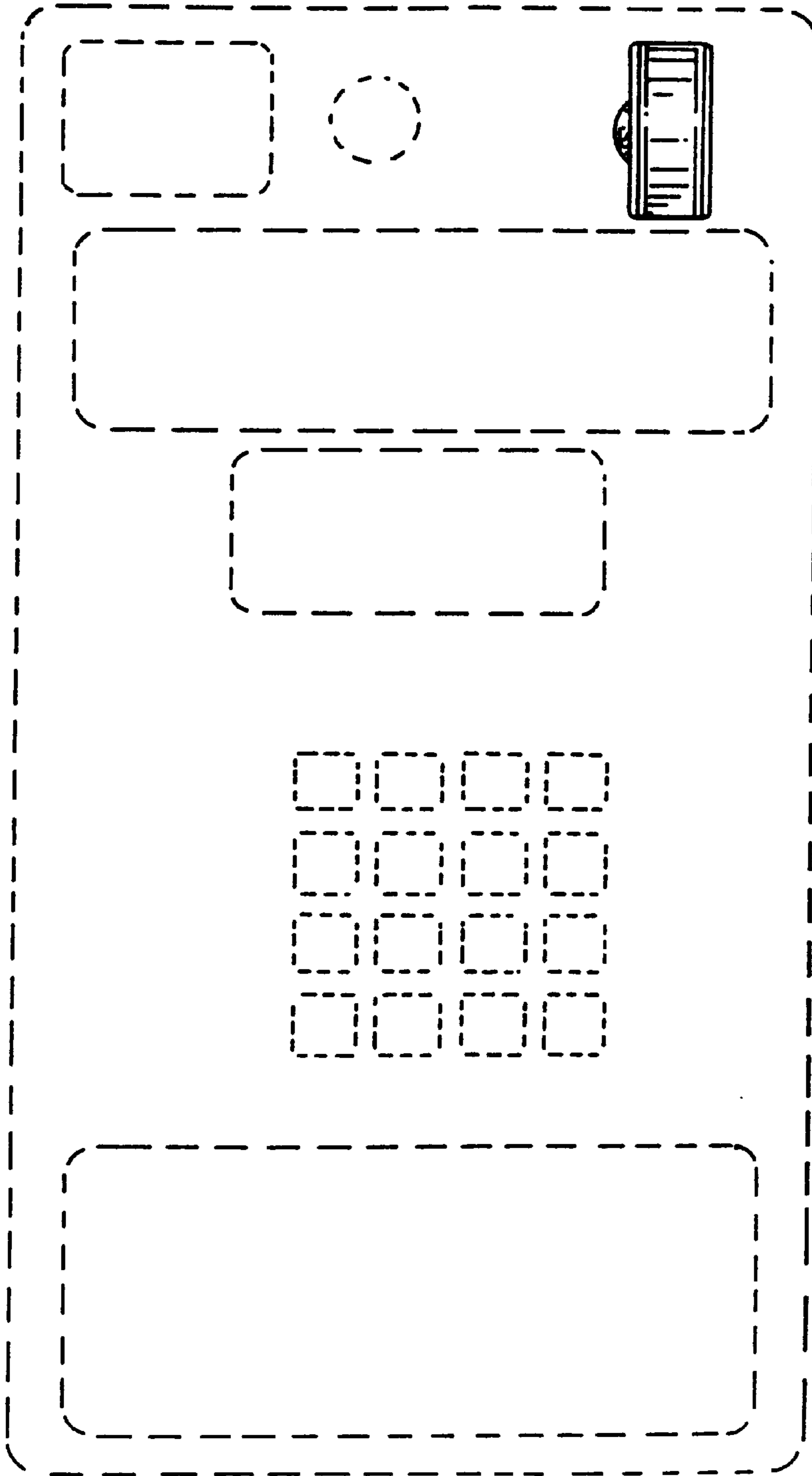


Fig. 7

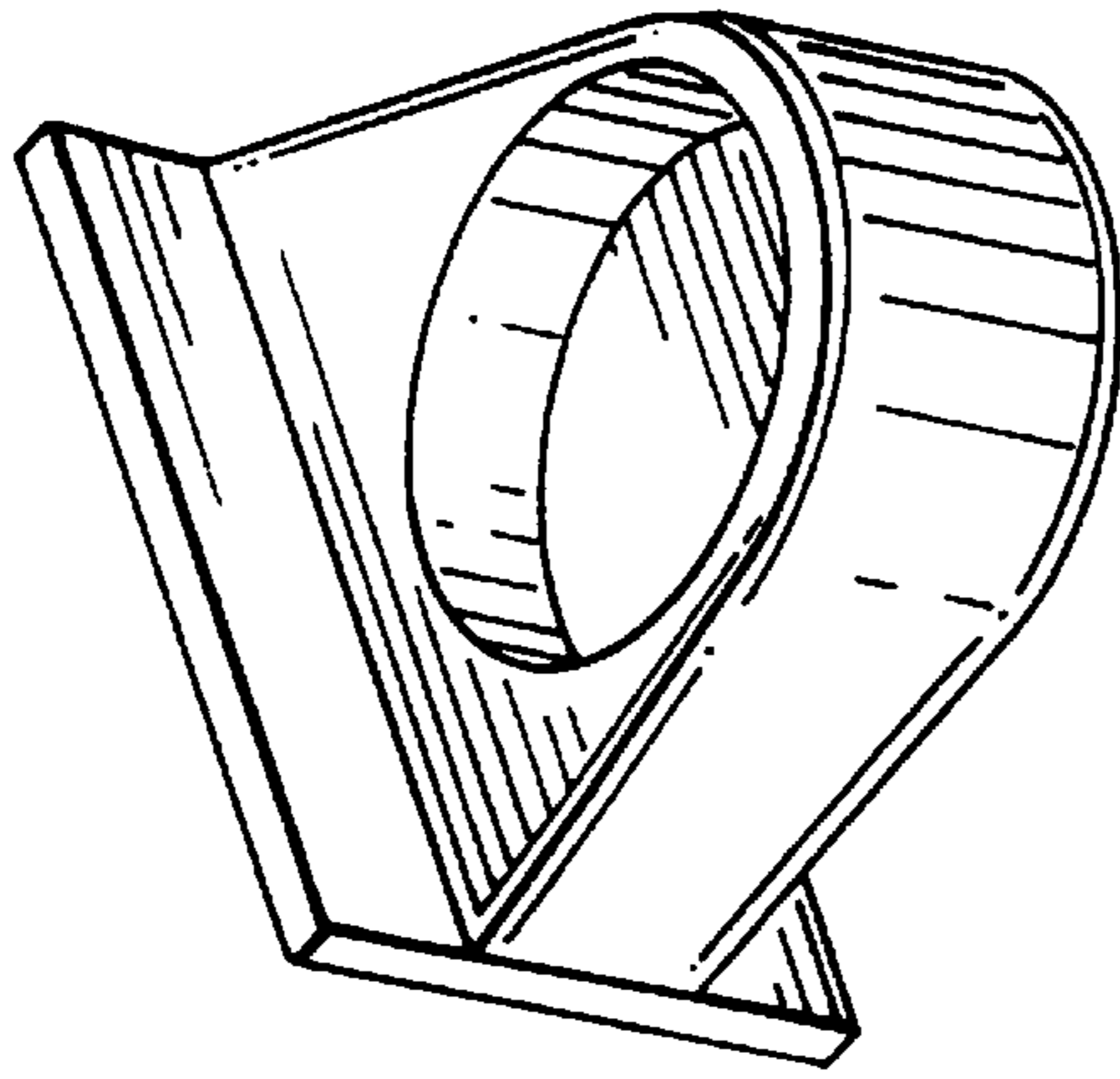


Fig. 8

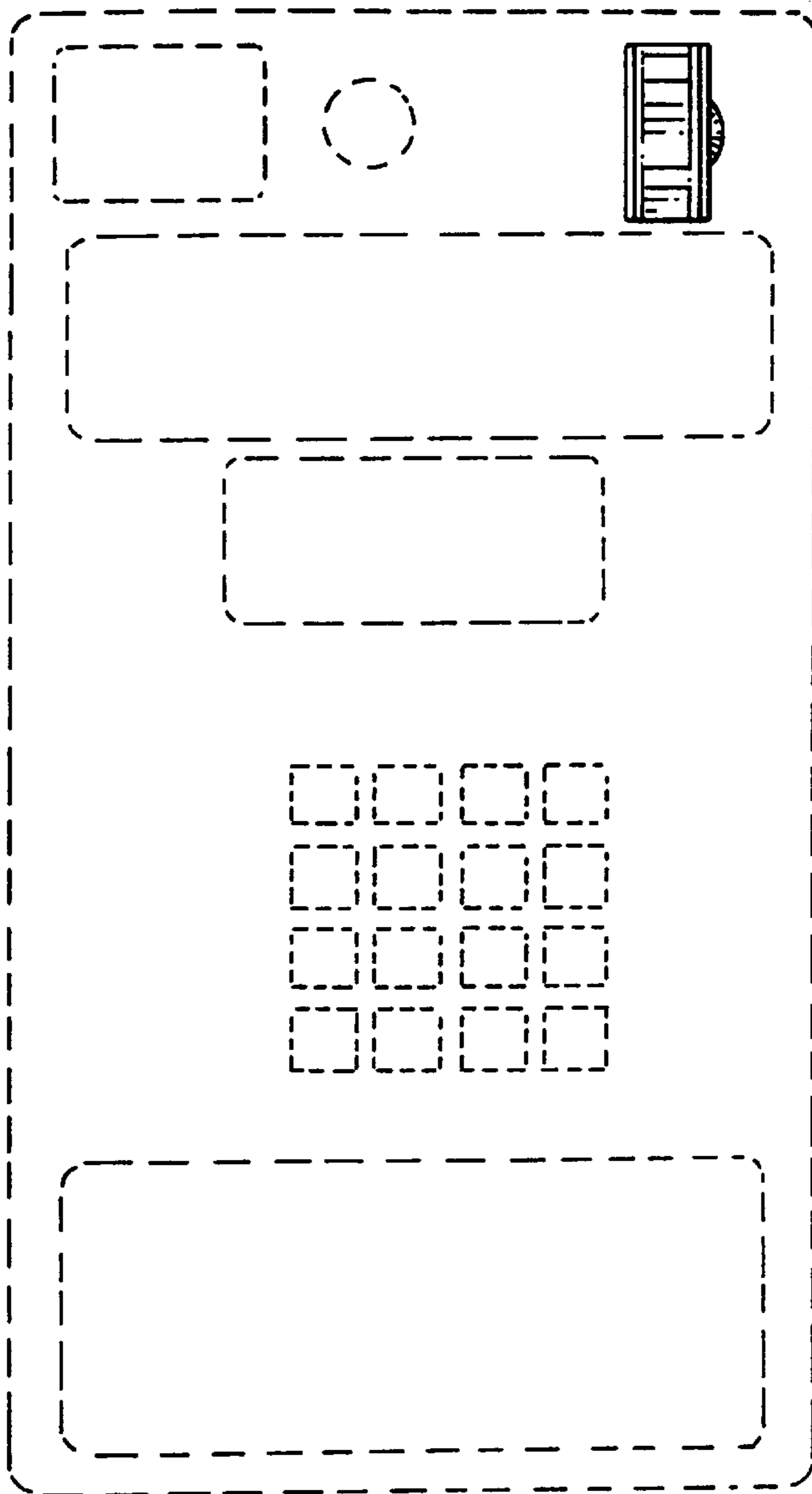


Fig. 9