



US00D410637S

United States Patent [19]

Ma et al.

[11] Patent Number: **Des. 410,637**

[45] Date of Patent: **** Jun. 8, 1999**

[54] **COMPUTER DISPLAY**

D. 390,545 2/1998 Chang D14/113

[75] Inventors: **Chih-Peng Ma; Yu-Hsin Chuo**, both of Taipei, Taiwan

Primary Examiner—Freda Nunn
Attorney, Agent, or Firm—Bacon & Thomas, PLLC

[73] Assignee: **Compal Electronics, Inc.**, Taipei, Taiwan

[57] CLAIM

[**] Term: **14 Years**

The ornamental design for a computer display, as shown and described.

[21] Appl. No.: **29/097,388**

DESCRIPTION

[22] Filed: **Dec. 4, 1998**

FIG. 1 is a perspective view showing our new design for a computer display;

[51] **LOC (6) Cl.** **14-02**

[52] **U.S. Cl.** **D14/113; D14/126**

FIG. 2 is a front elevational view thereof;

[58] **Field of Search** D14/100, 101,

D14/106, 113, 124-129; 248/917-924; 345/104, 133, 156, 168, 87, 173; 348/180, 184, 325, 739; 341/12; 349/1, 2, 11, 62

FIG. 3 is a rear elevational view thereof;

FIG. 4 is a left side elevational view thereof;

FIG. 5 is a right side elevational view thereof;

FIG. 6 is a top view thereof; and,

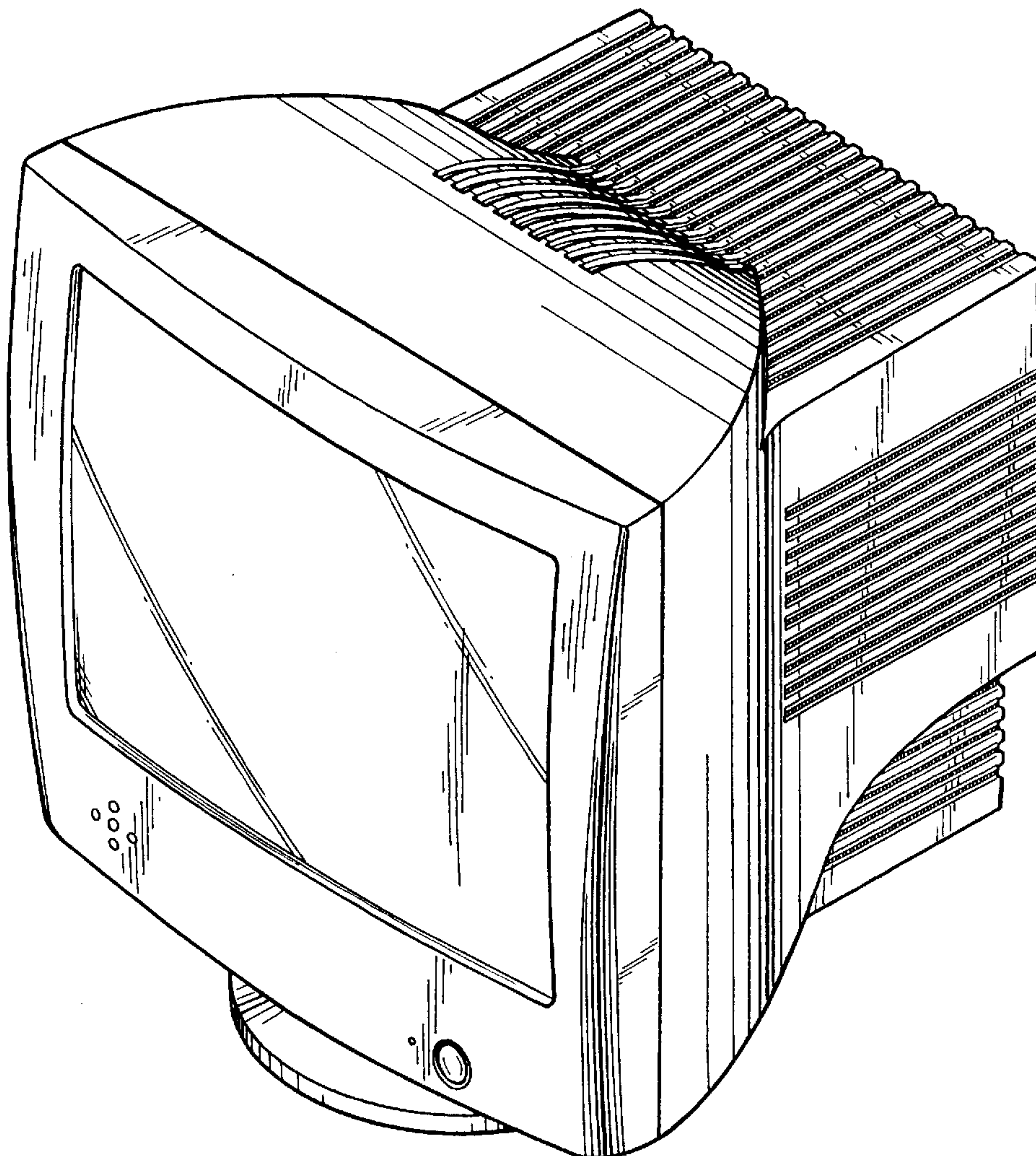
FIG. 7 is a bottom view thereof.

[56] References Cited

U.S. PATENT DOCUMENTS

D. 388,409 12/1997 Takemasa et al. D14/113

1 Claim, 4 Drawing Sheets



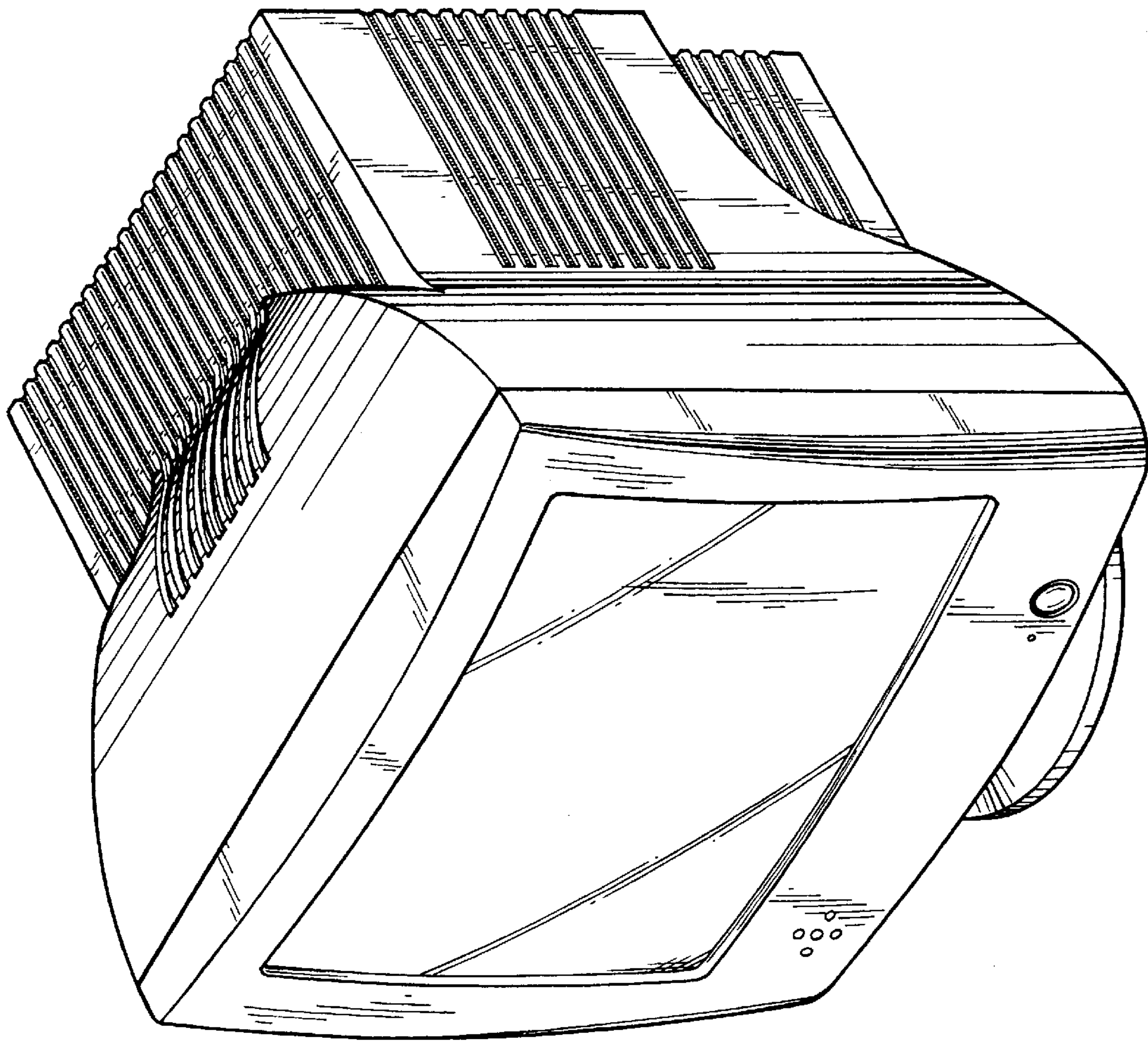


Fig.1

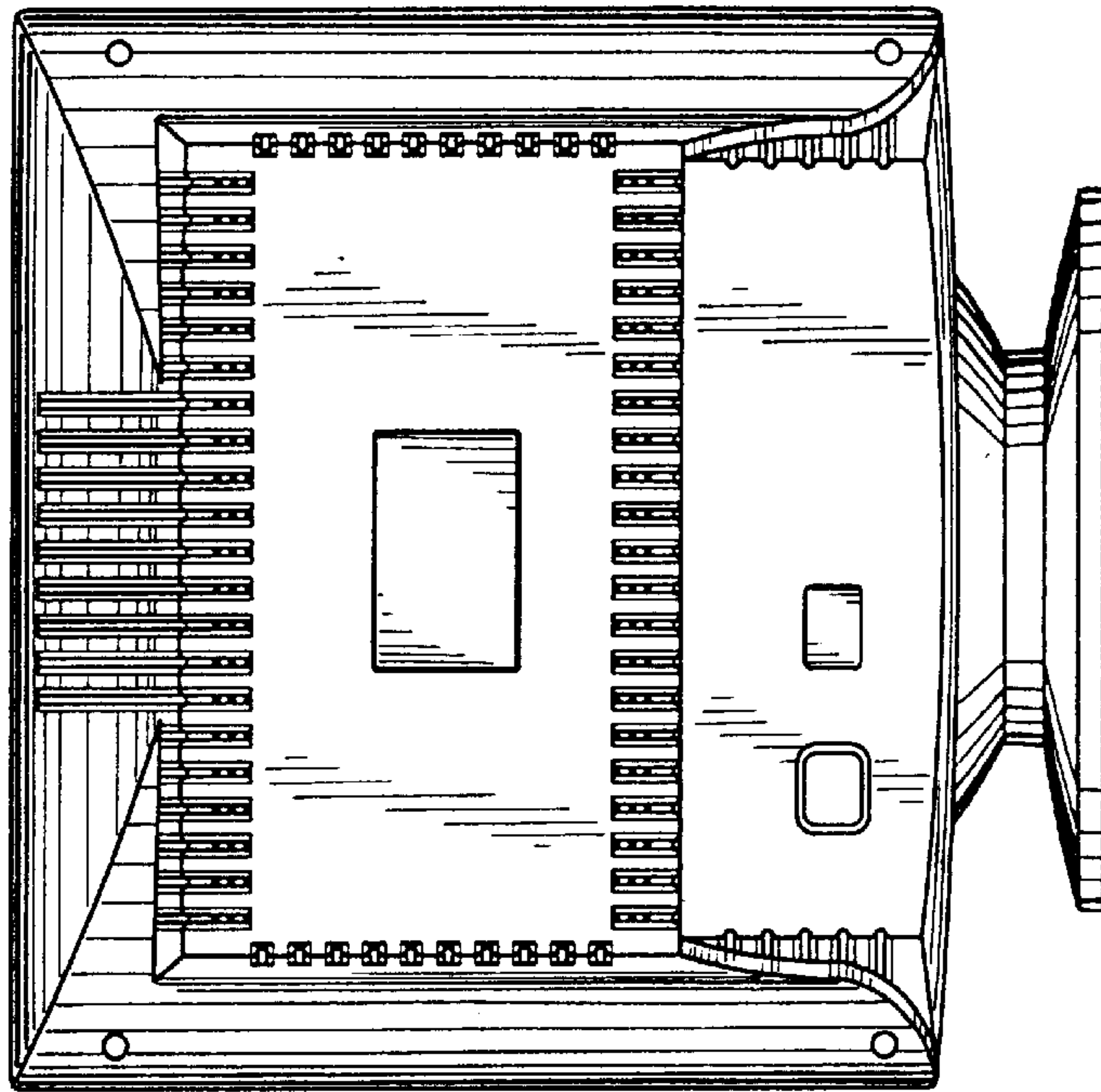


Fig.3

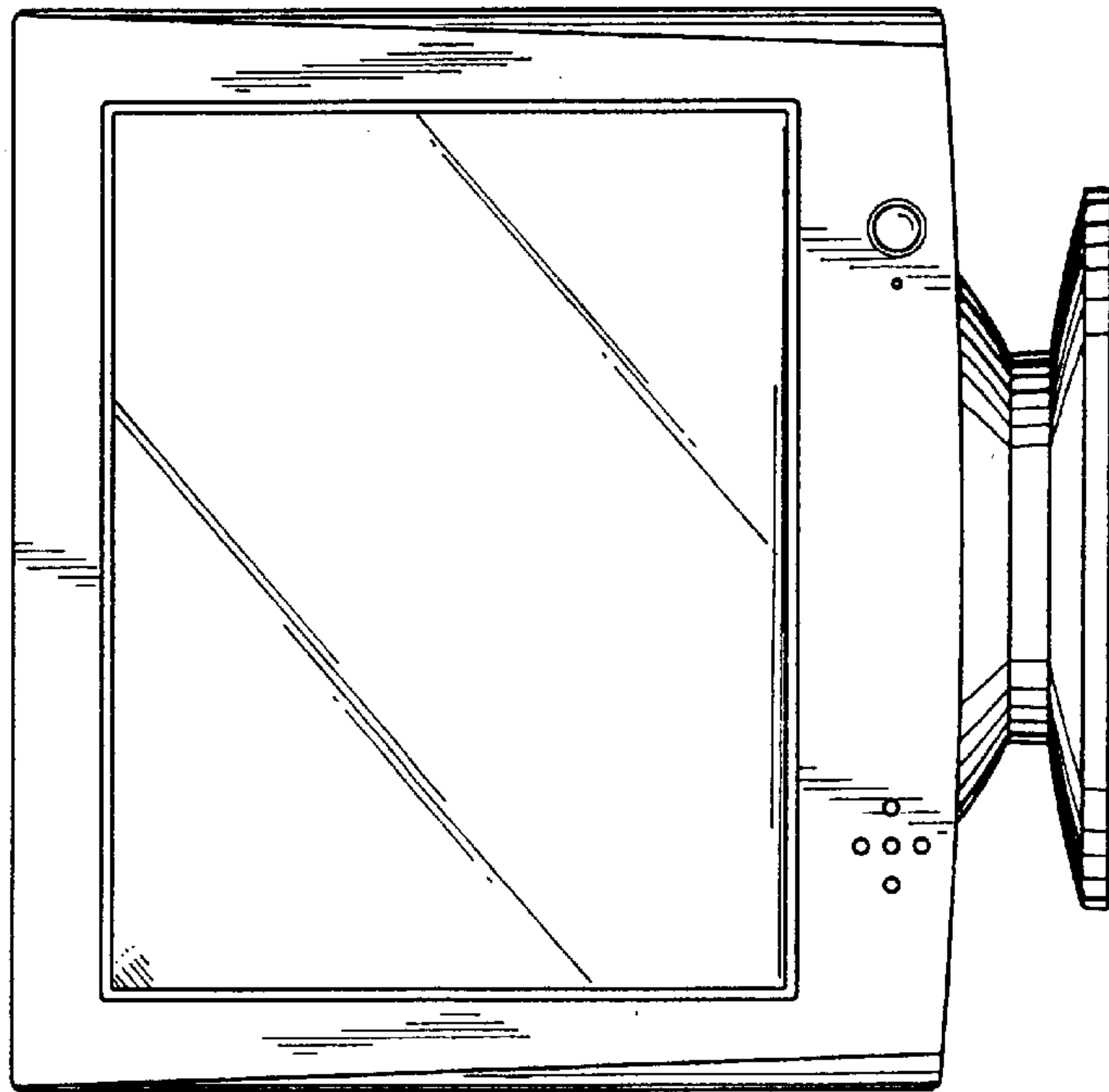


Fig.2

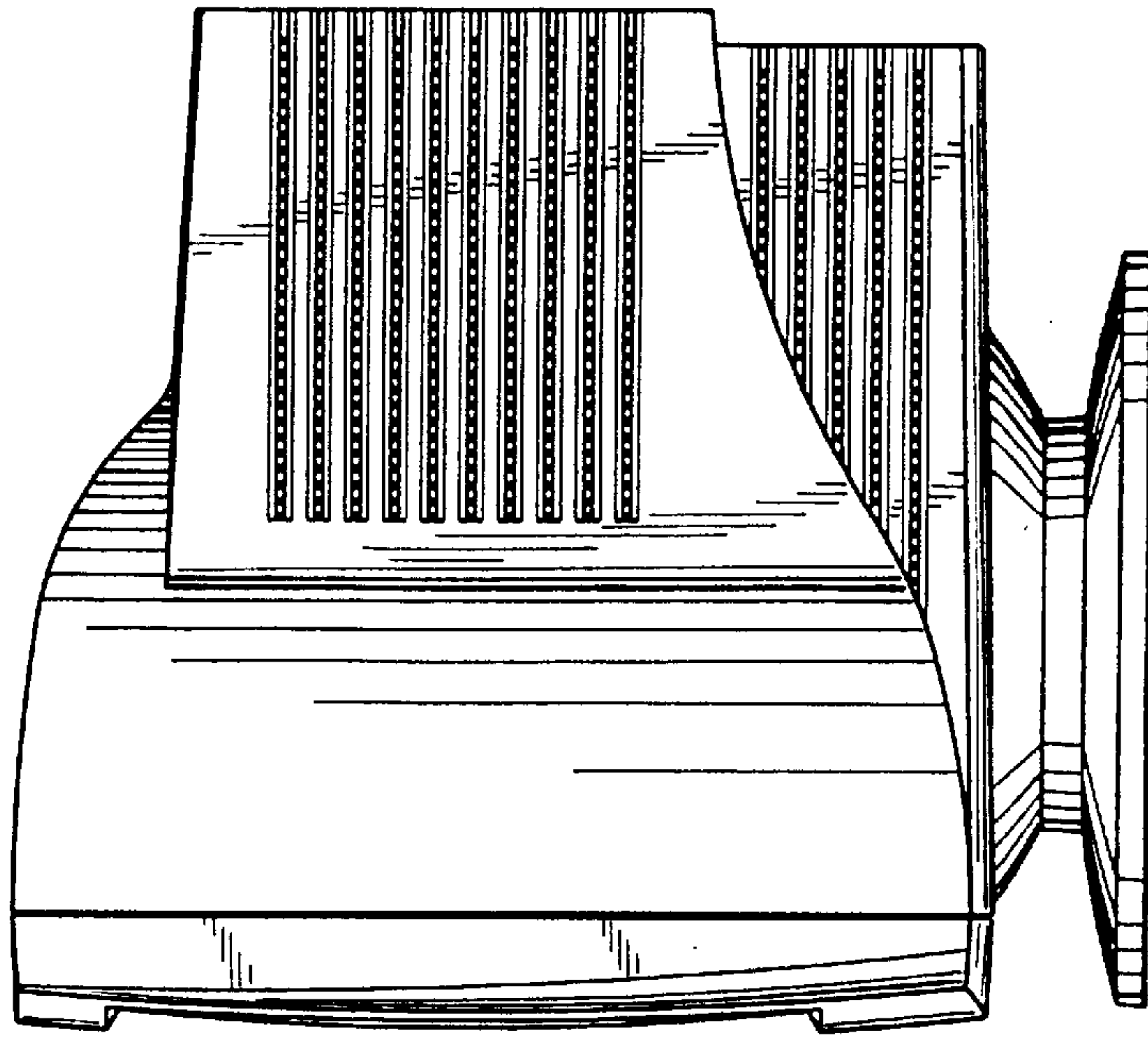


Fig.5

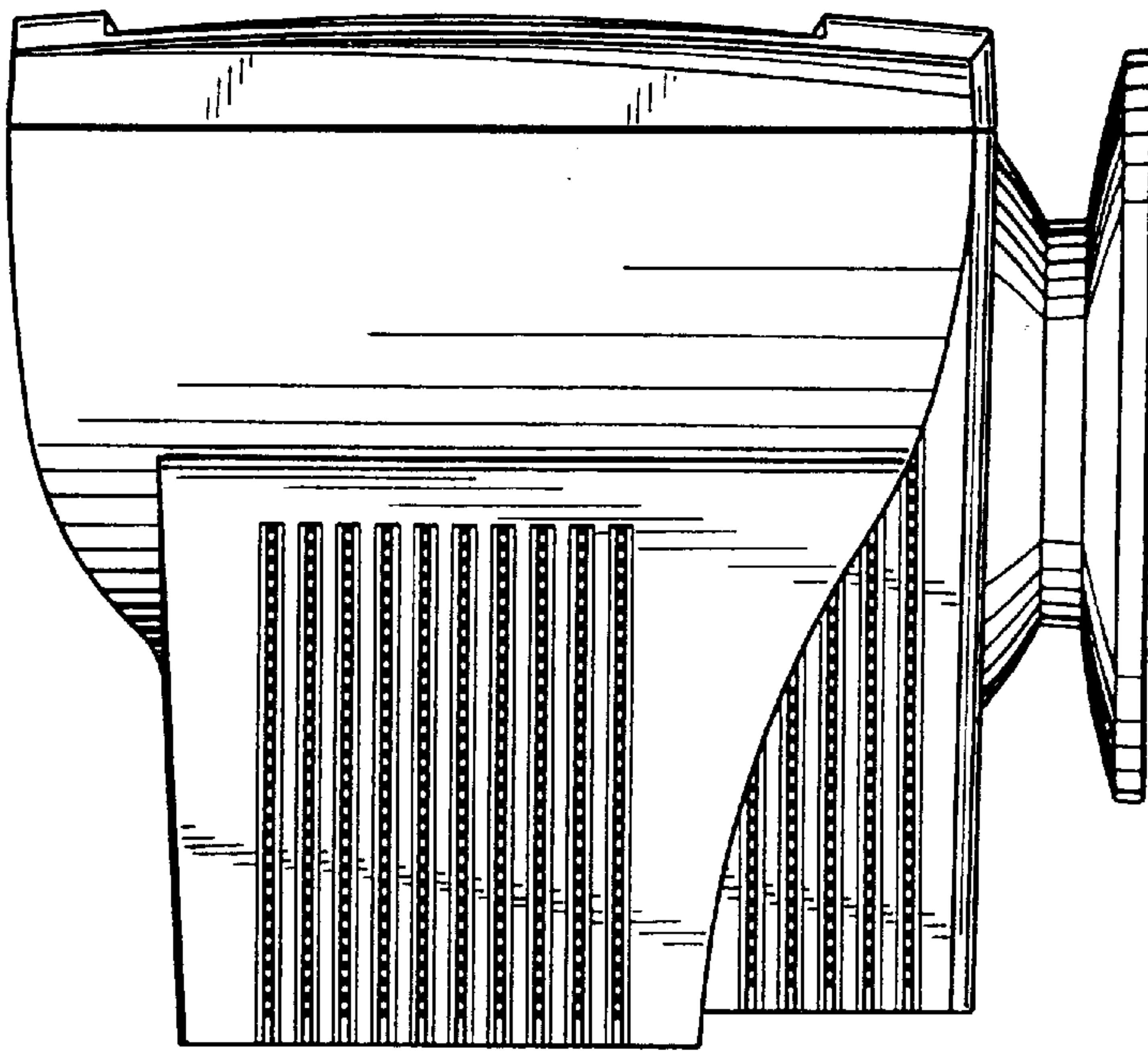


Fig.4

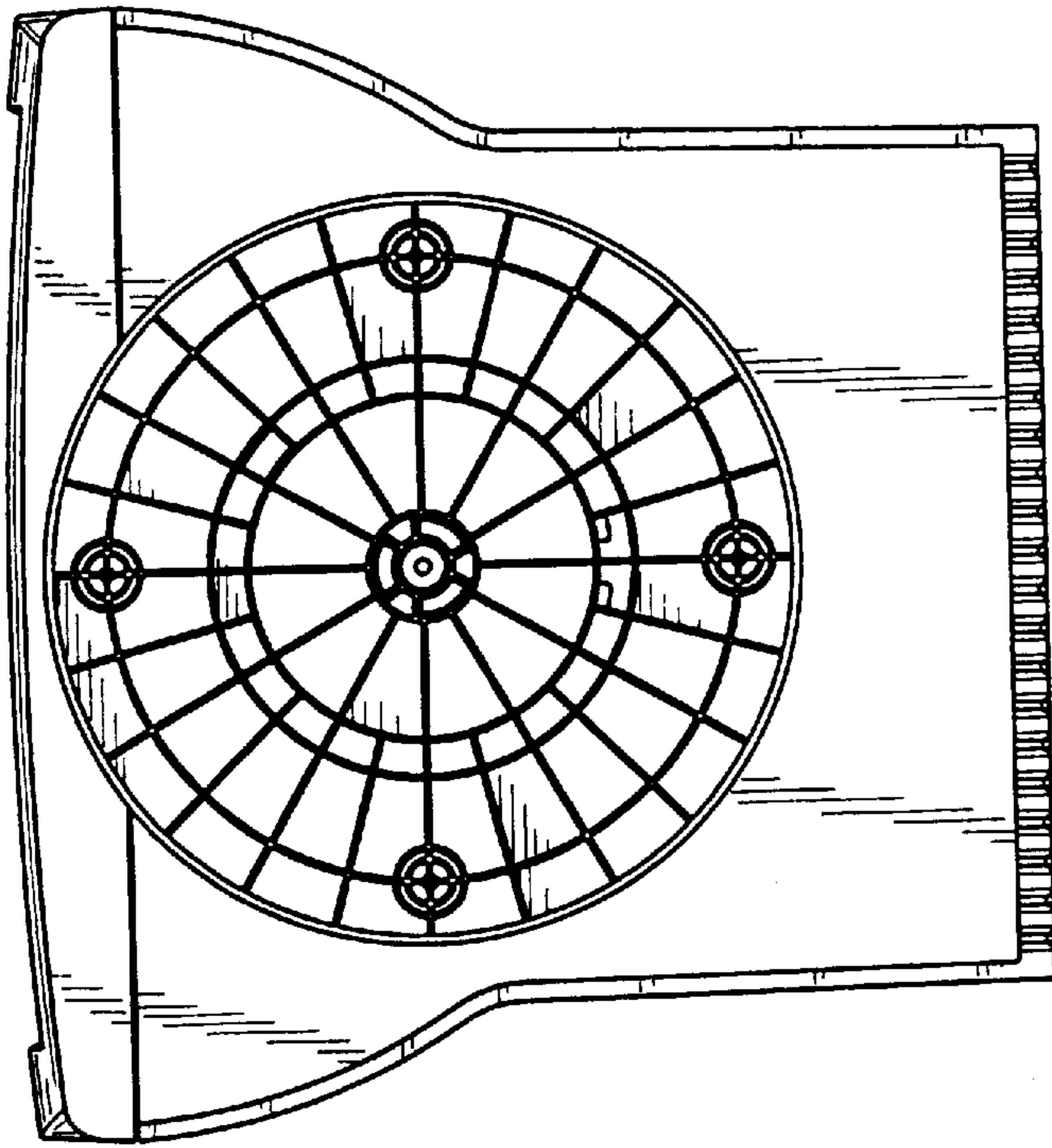


Fig. 7

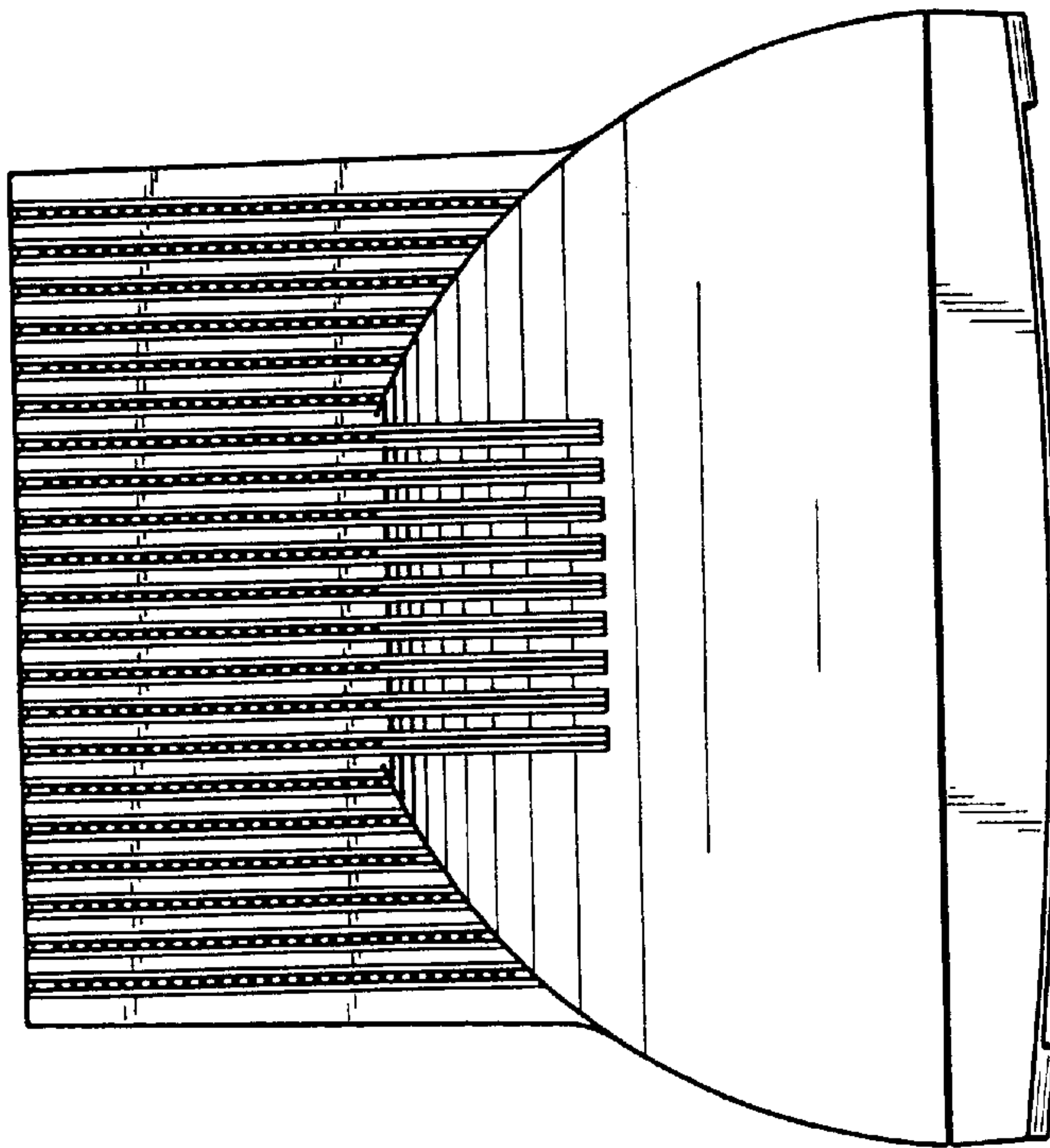


Fig. 6