



US00D410634S

United States Patent [19]
Sonntag

[11] **Patent Number: Des. 410,634**
[45] **Date of Patent: ** Jun. 8, 1999**

[54] **SUPPORT PART FOR A HOLDER FOR ELECTRONICS AND INSTRUMENTATION ENCLOSURE**

Primary Examiner—Brian N. Vinson
Attorney, Agent, or Firm—Finnegan, Henderson, Farabow, Garrett & Dunner, L.L.P.

[75] **Inventor: John-Erik Sonntag**, Tammissaari, Finland

[57] **CLAIM**

The ornamental design for a support part for a holder for electronics and instrumentation enclosure, as shown and described.

[73] **Assignee: Fibox Oy AB**, Jorvas, Finland

[**] **Term: 14 Years**

DESCRIPTION

[21] **Appl. No.: 29/077,442**

FIG. 1 is a perspective top and front view of a support part for a holder for electronics and instrumentation enclosure showing my new design;

[22] **Filed: Oct. 7, 1997**

FIG. 2 is a perspective bottom and rear view thereof;

[30] **Foreign Application Priority Data**

Apr. 7, 1997 [FI] Finland 248/97

FIG. 3 is a top view thereof;

[51] **LOC (6) Cl. 13-03**

FIG. 4 is a bottom view thereof;

[52] **U.S. Cl. D13/173**

FIG. 5 is a rear view thereof;

[58] **Field of Search D13/173; 211/41.12**

FIG. 6 is a front view thereof;

FIG. 7 is a left side view thereof; and,

FIG. 8 is a right side view thereof.

[56] **References Cited**

U.S. PATENT DOCUMENTS

5,788,088 8/1998 Kao 211/41.12 X

1 Claim, 2 Drawing Sheets

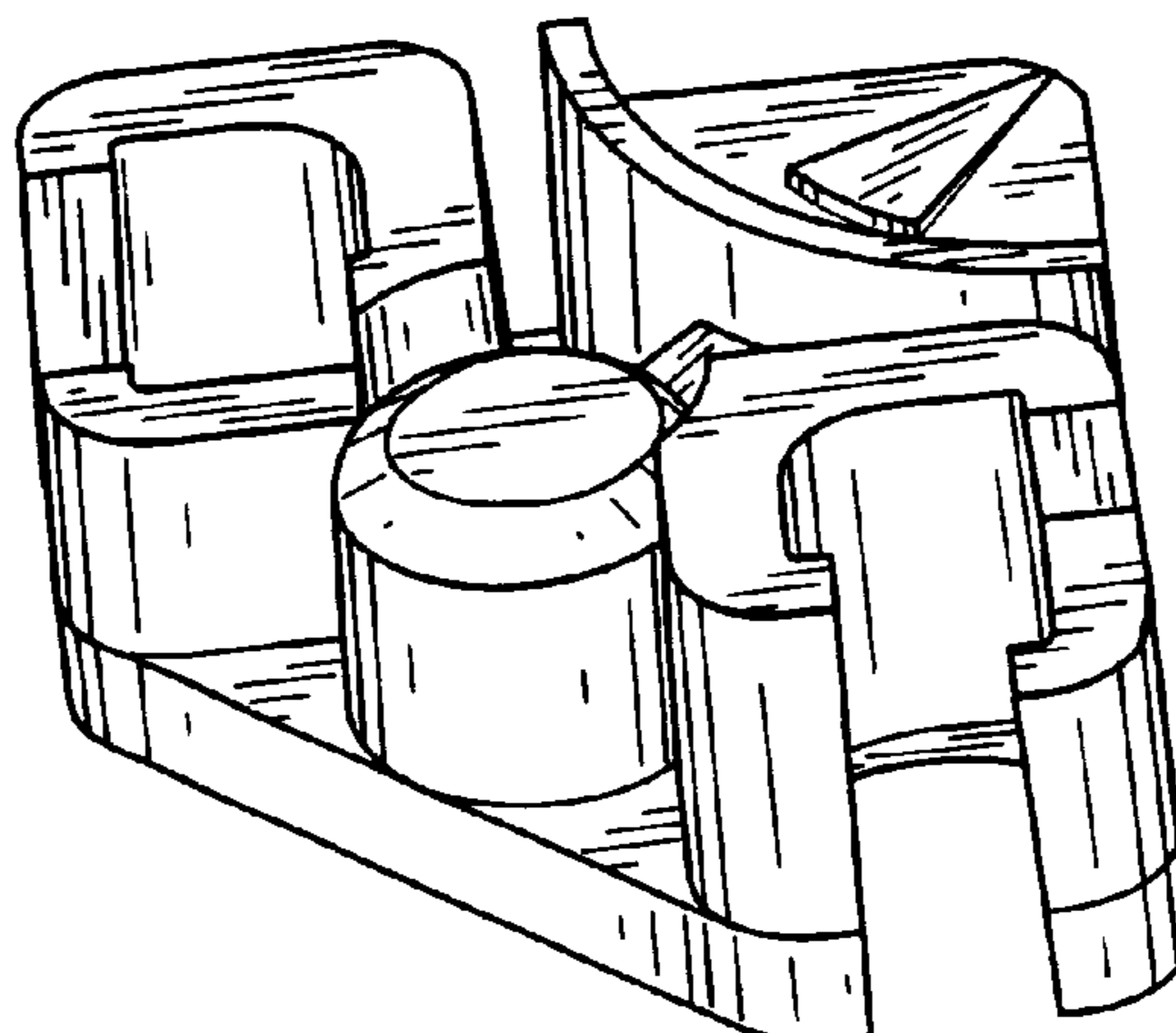
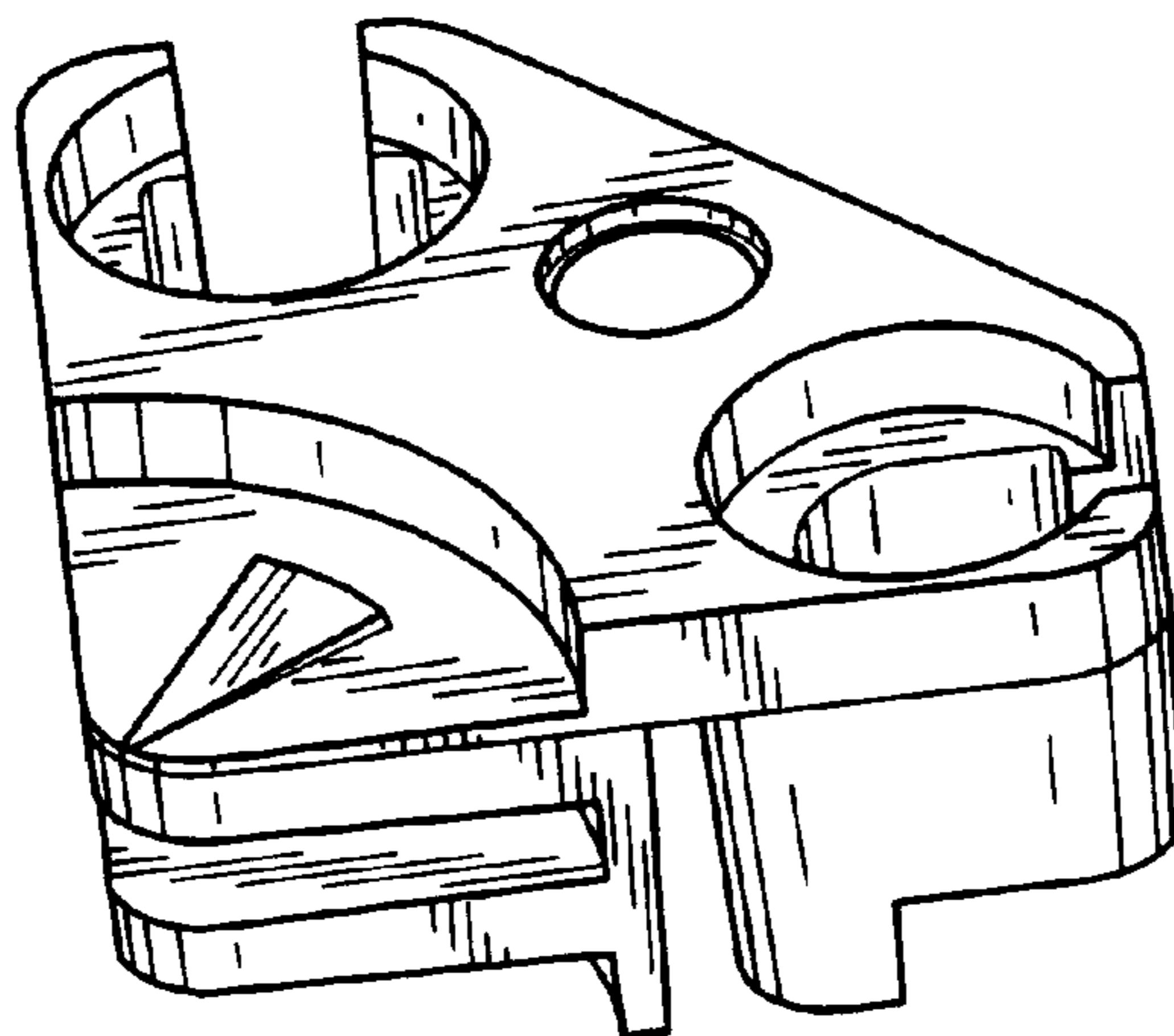


FIG. 1

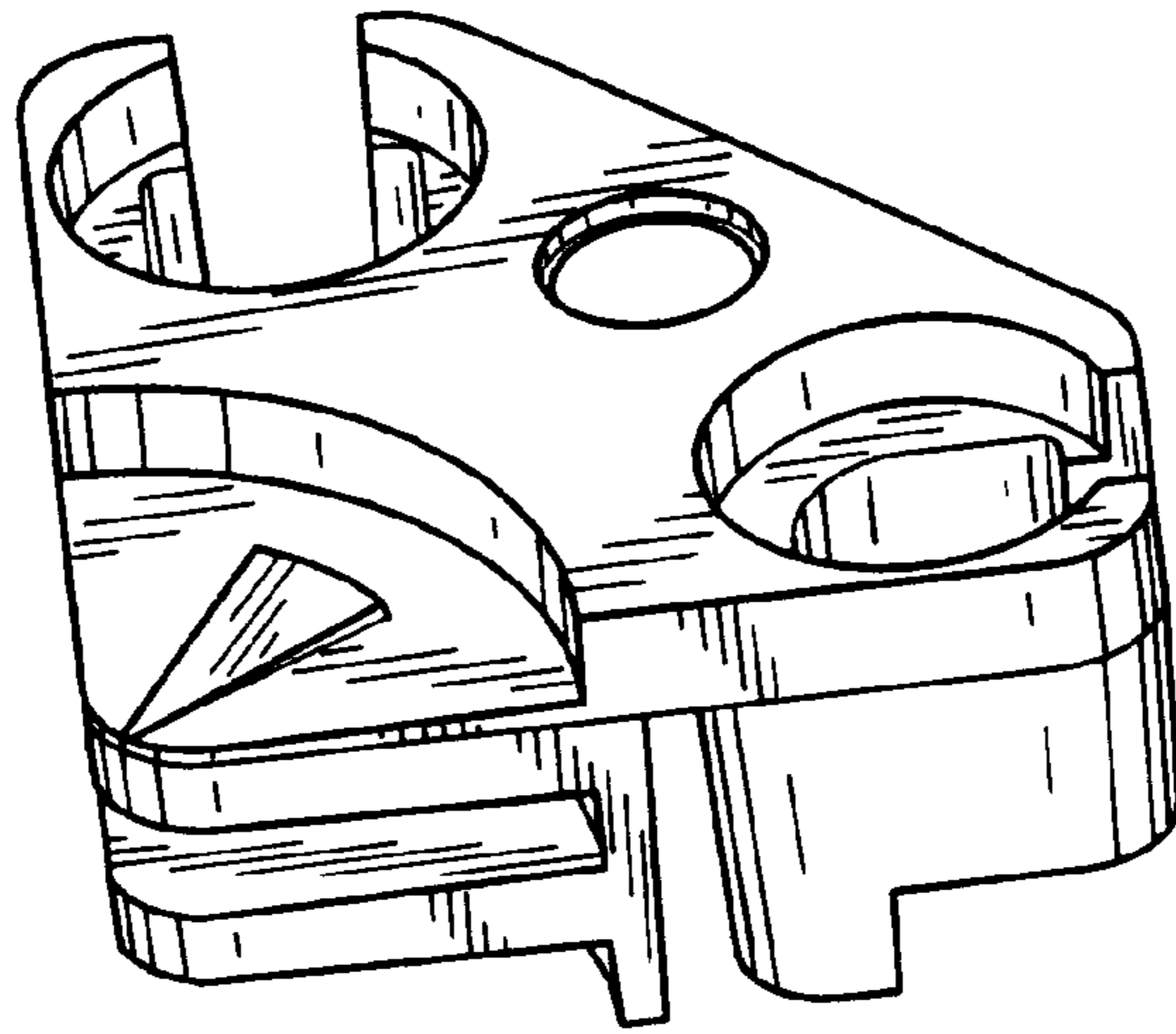


FIG. 2

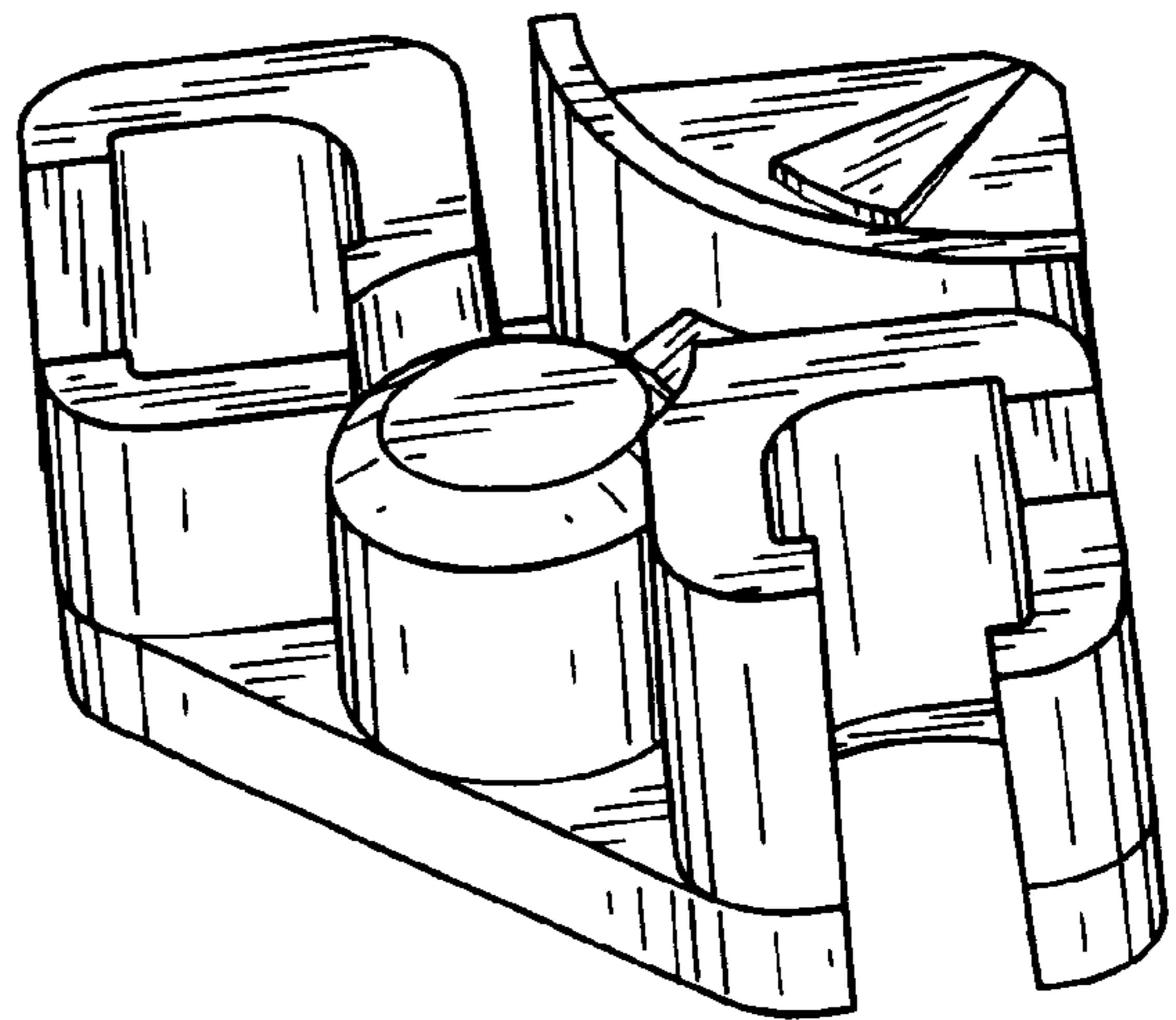


FIG. 4

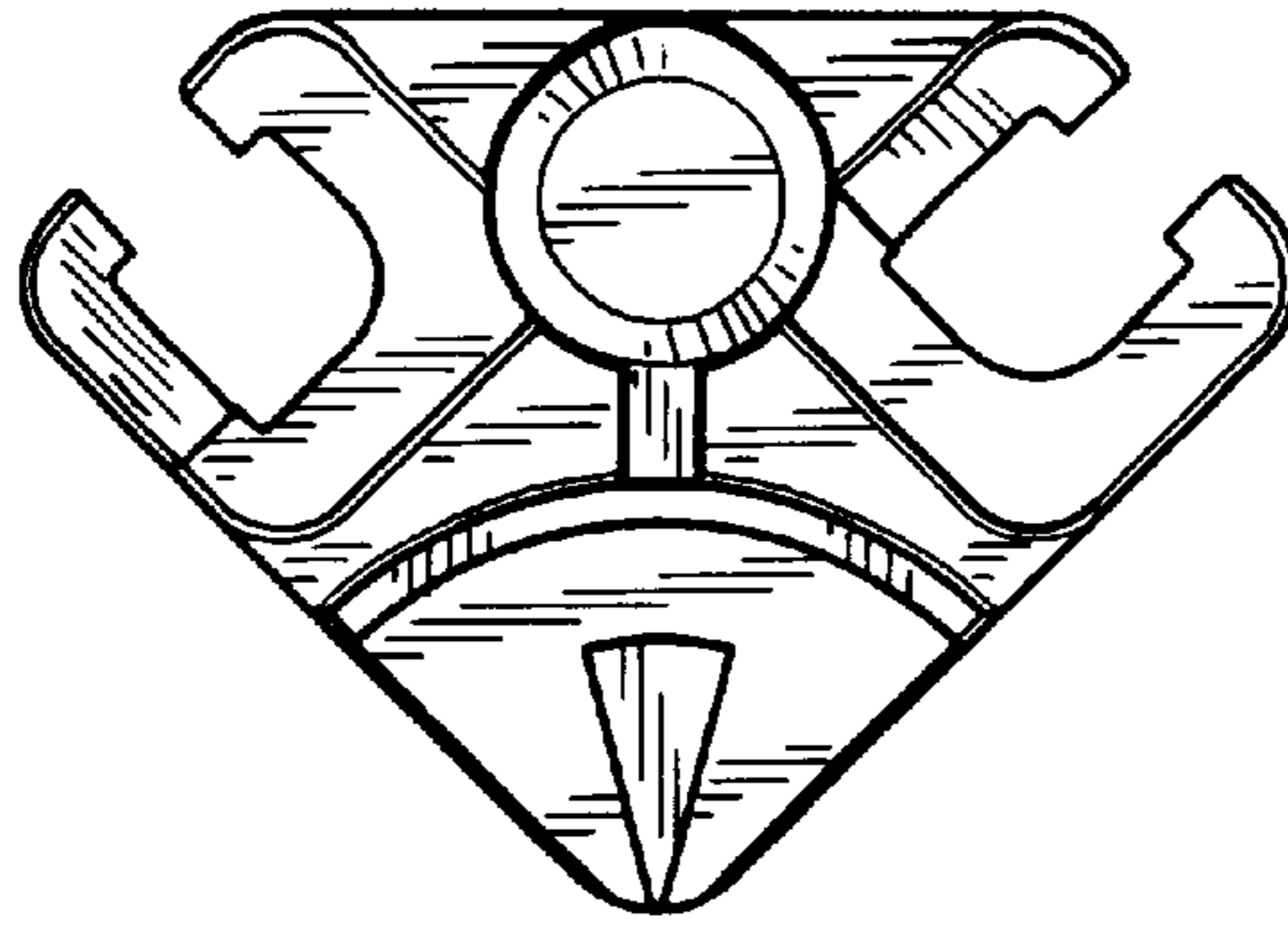


FIG. 5

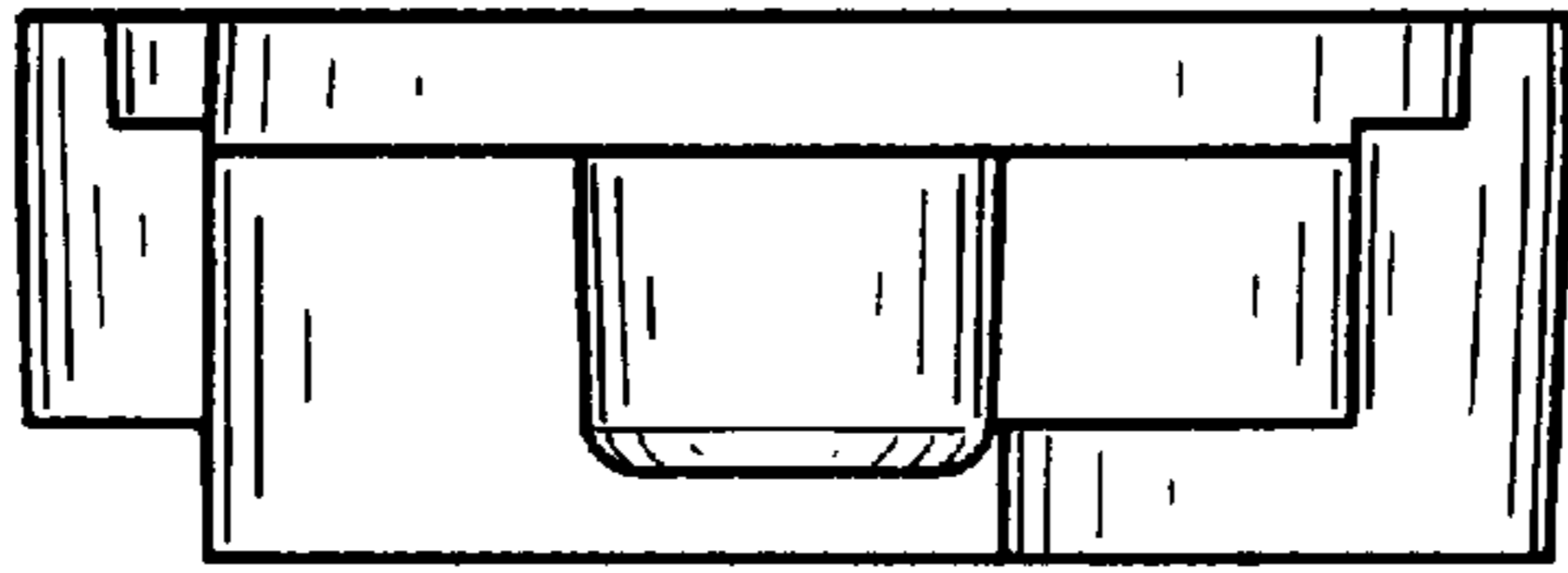


FIG. 3

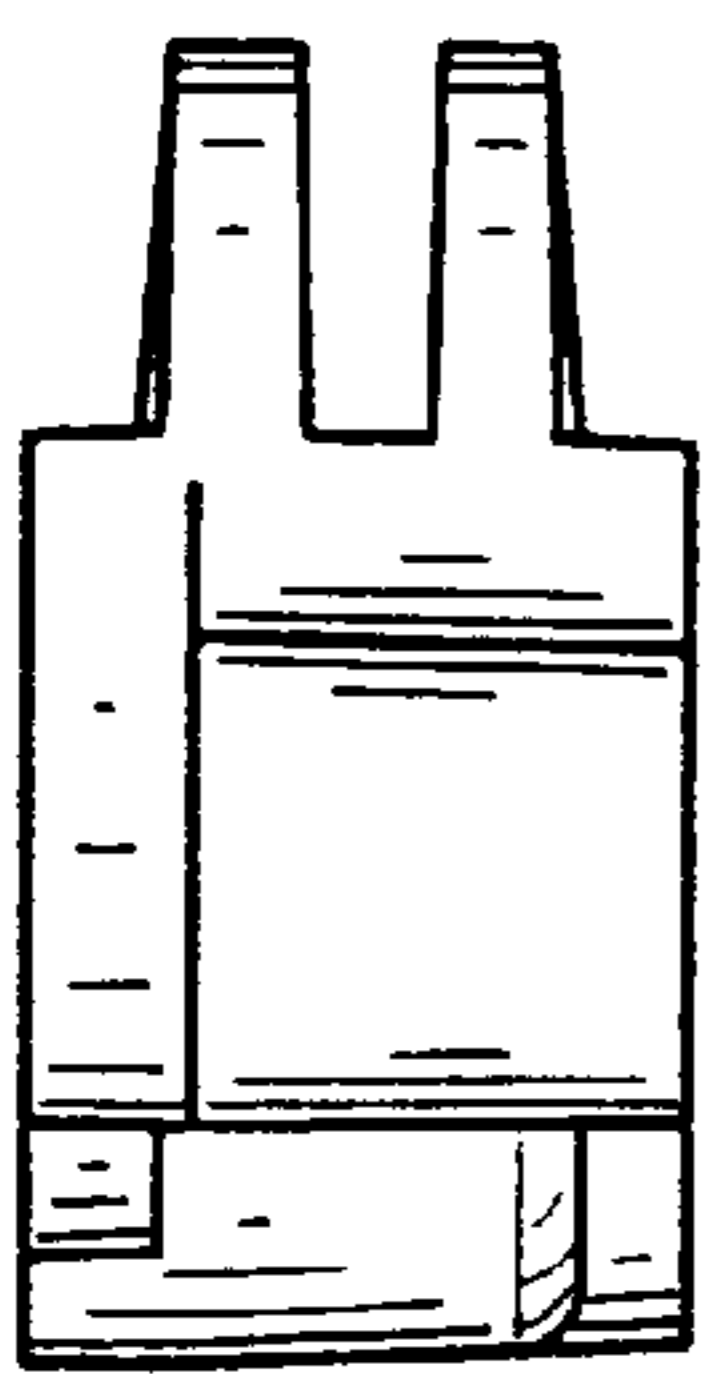
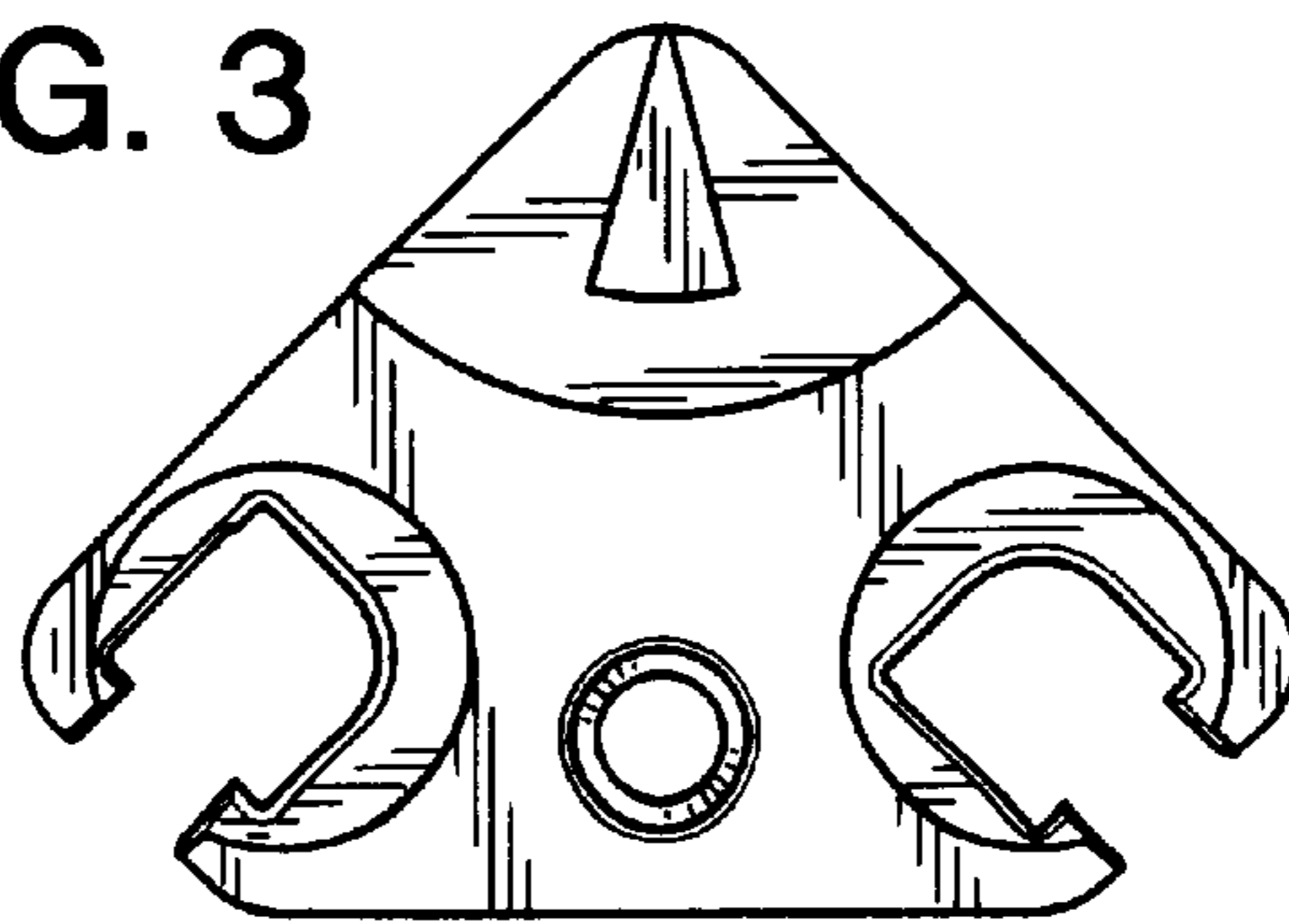


FIG. 7

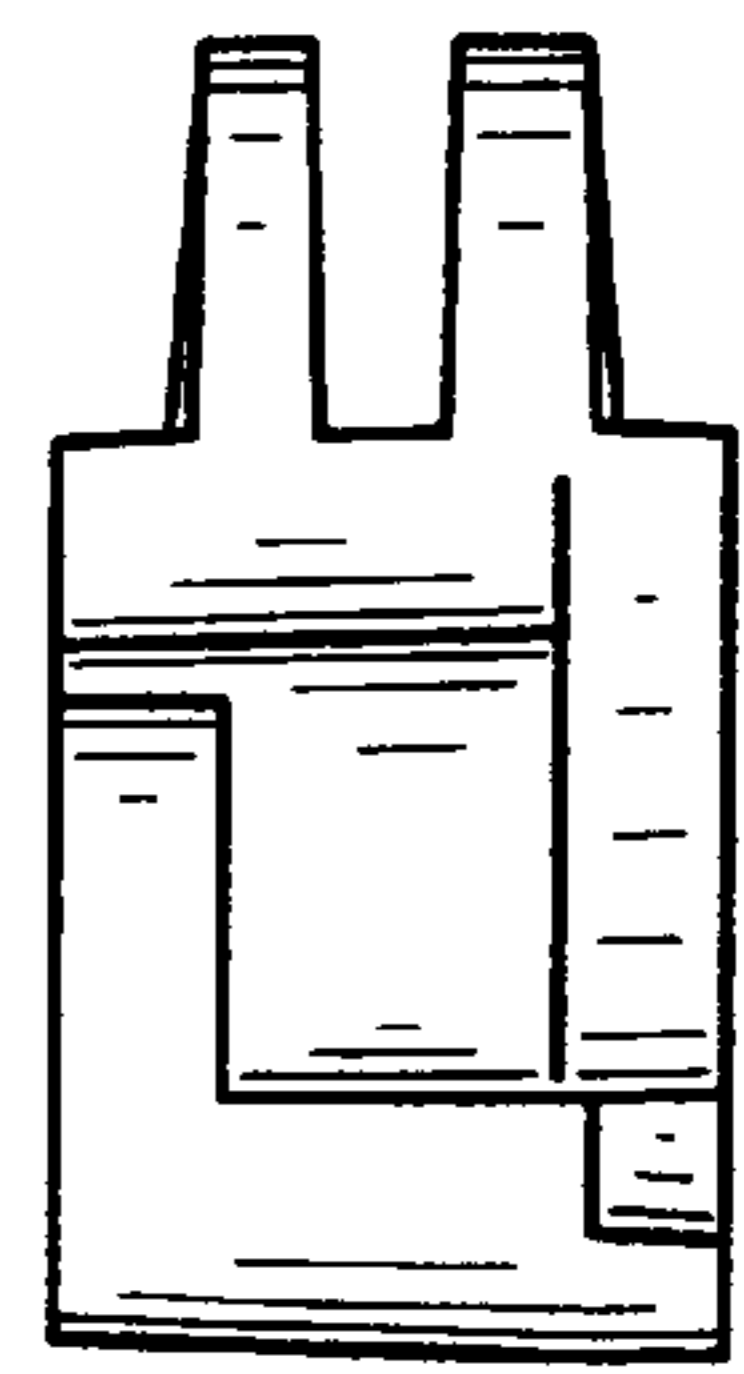


FIG. 8

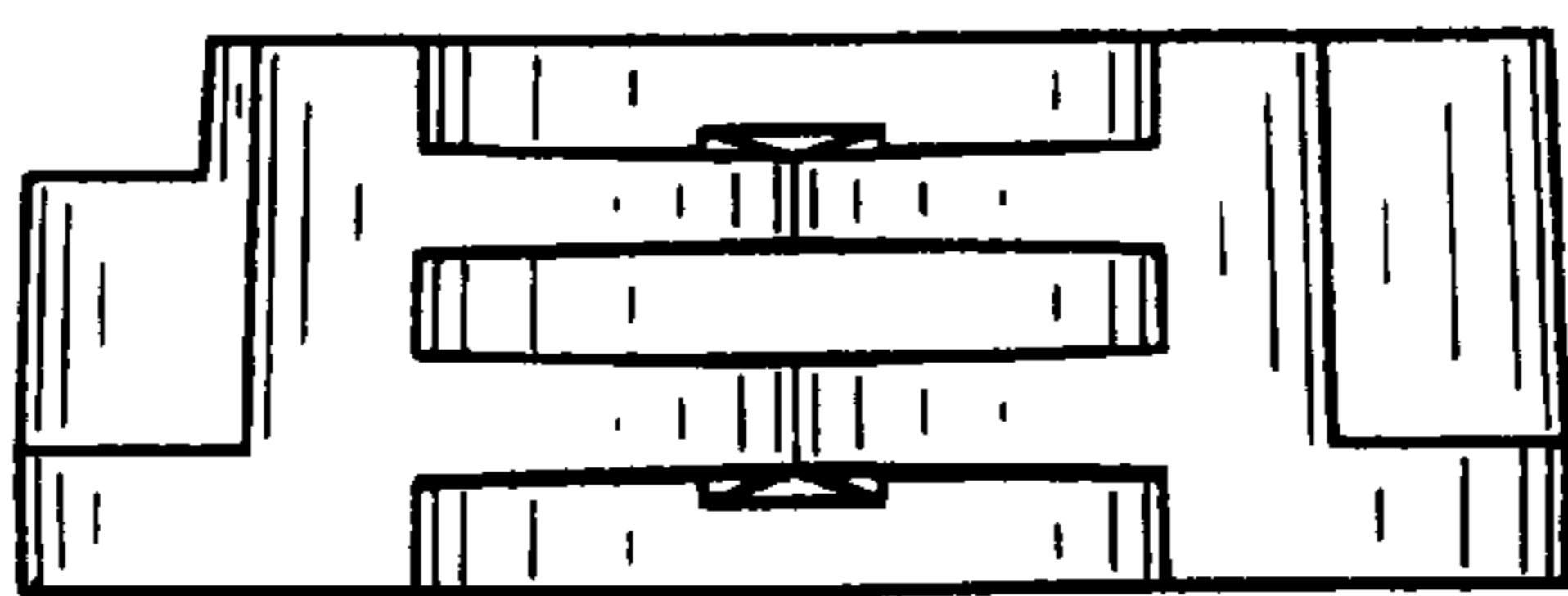


FIG. 6