



US00D410632S

United States Patent [19]

[11] **Patent Number: Des. 410,632**

Deutsch

[45] **Date of Patent: ** Jun. 8, 1999**

[54] **COVERED ELETRICAL INLET HOUSING**

2,867,345 1/1959 Bellek 220/242
4,138,187 2/1979 Brygger 174/67 X

[75] Inventor: **Peter K. Deutsch**, Novato, Calif.

Primary Examiner—Joel Sincavage
Attorney, Agent, or Firm—Thomas R. Lampe

[73] Assignee: **Marinco**, Napa, Calif.

[**] Term: **14 Years**

[57] **CLAIM**

[21] Appl. No.: **29/092,418**

The ornamental design for covered electrical inlet housing, as shown and described.

[22] Filed: **Aug. 18, 1998**

DESCRIPTION

[51] **LOC (6) Cl.** **13-03**

[52] **U.S. Cl.** **D13/156**

[58] **Field of Search** D13/154, 156;
439/133, 135, 136; 174/67; 220/3.8, 242

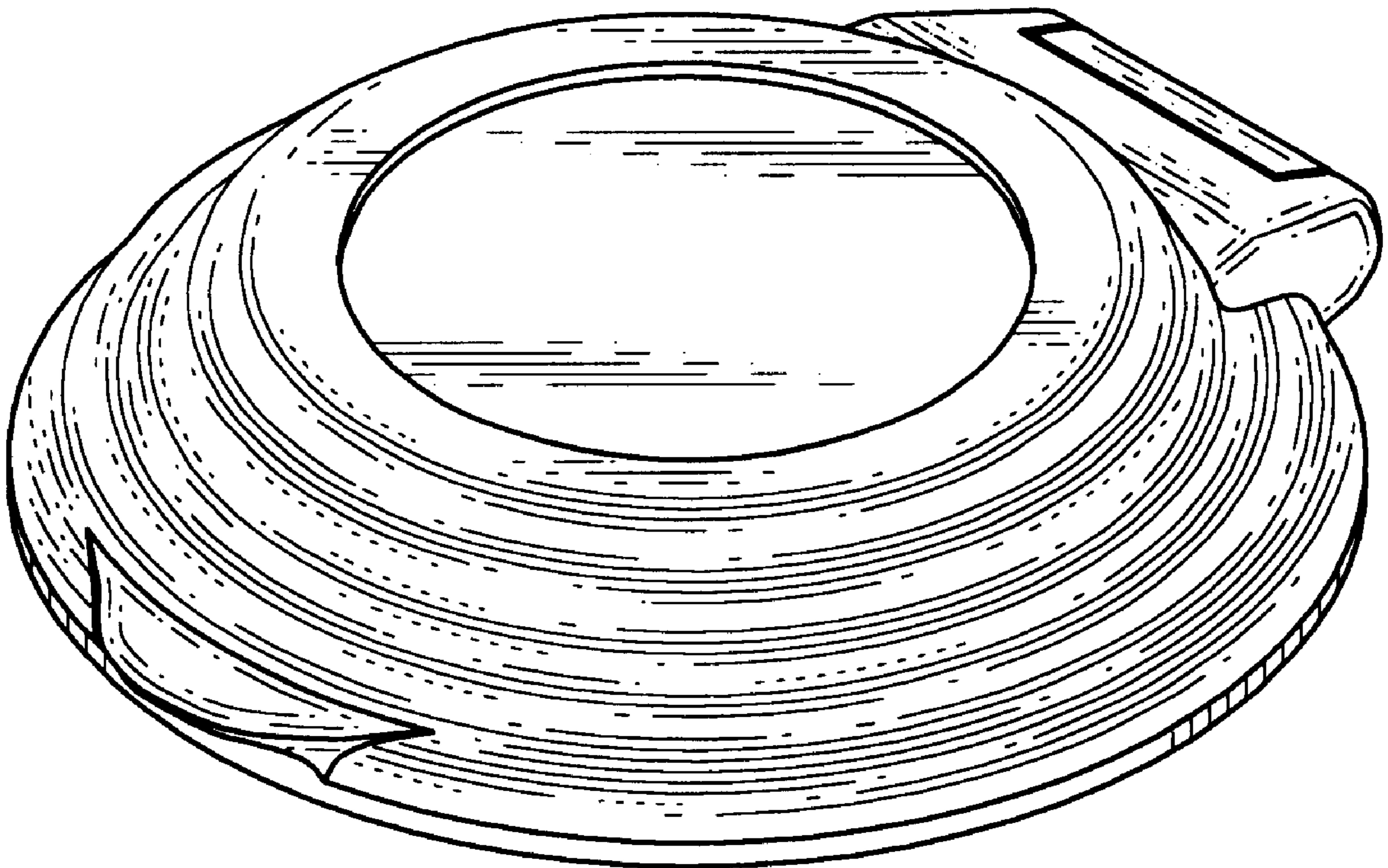
FIG. 1 is a perspective view of a covered electrical inlet housing showing my design;
FIG. 2 is a top plan view thereof;
FIG. 3 is a front elevation view thereof;
FIG. 4 is a rear elevation view thereof;
FIG. 5 is a right side elevation view thereof, the left side elevation view thereof being a mirror image; and,
FIG. 6 is a bottom view thereof.

[56] **References Cited**

U.S. PATENT DOCUMENTS

D. 329,840 9/1992 Nocair D13/156 X
D. 361,313 8/1995 Sai et al. D13/156

1 Claim, 2 Drawing Sheets



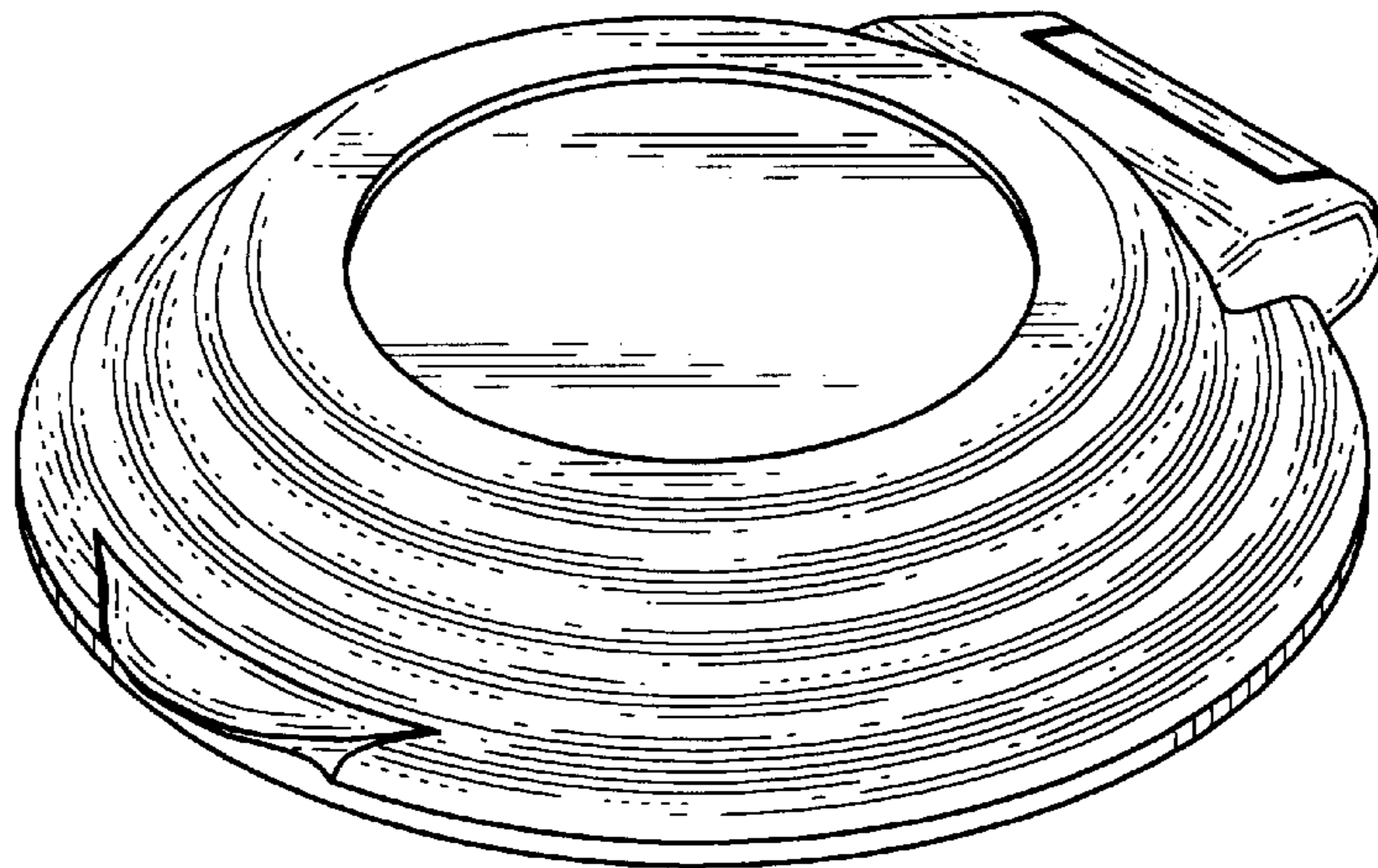


Fig. 1

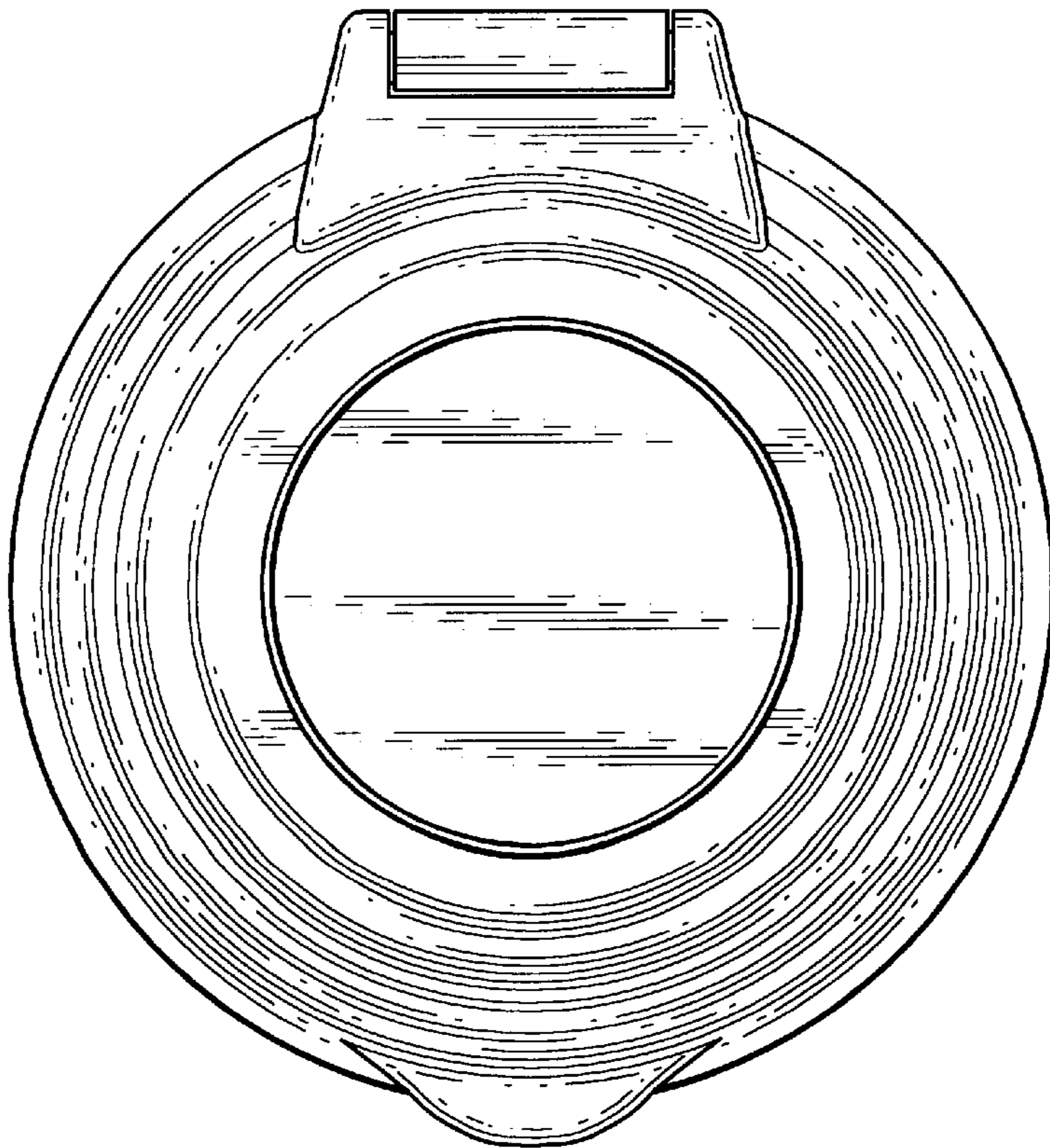


Fig. 2

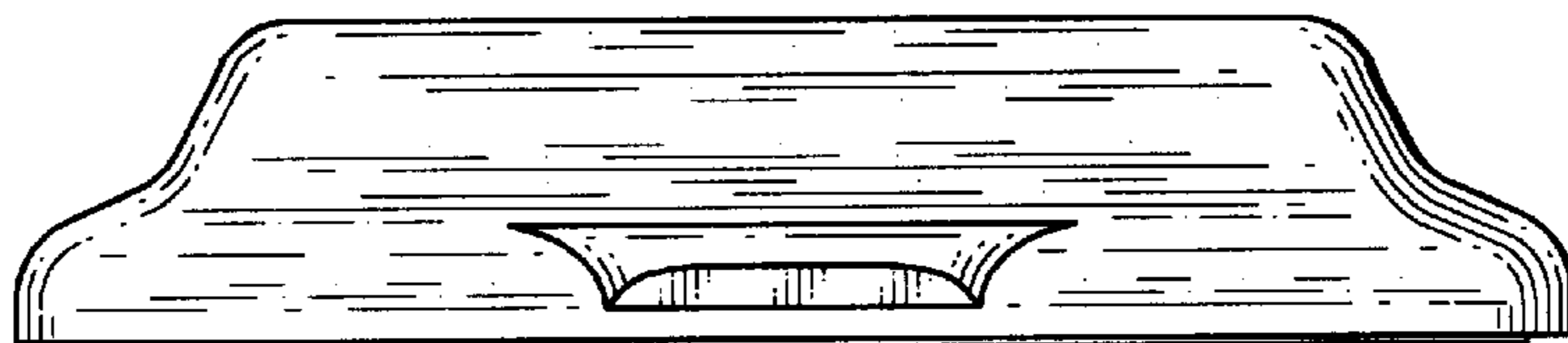


Fig. 3

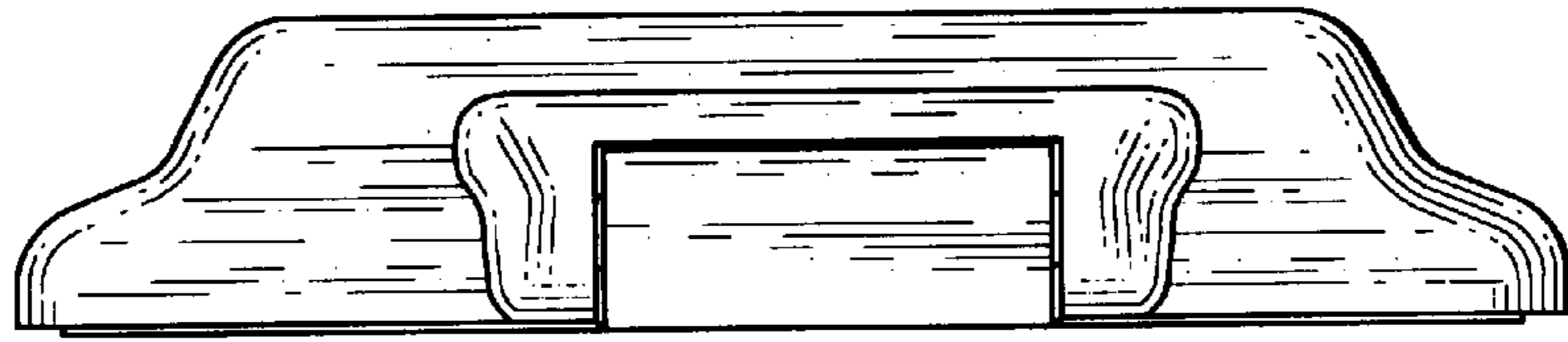


Fig. 4

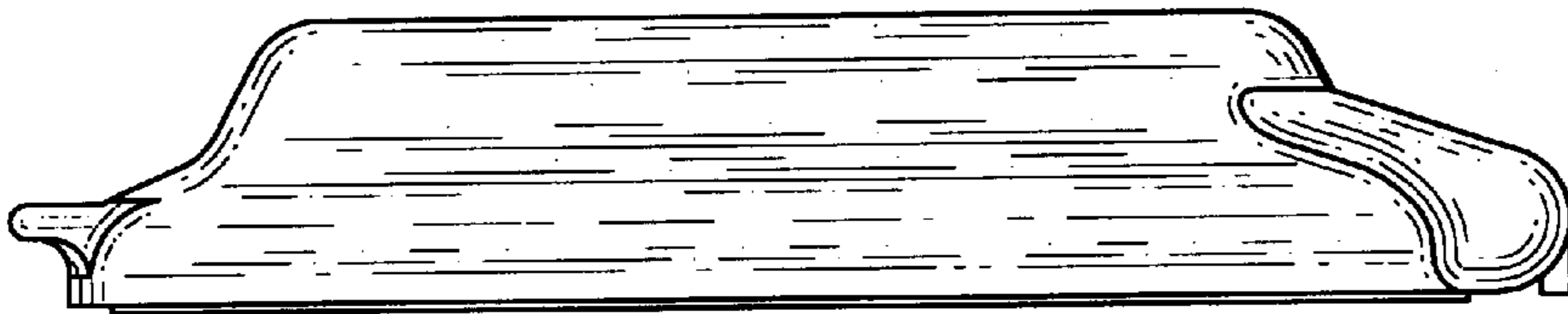


Fig. 5

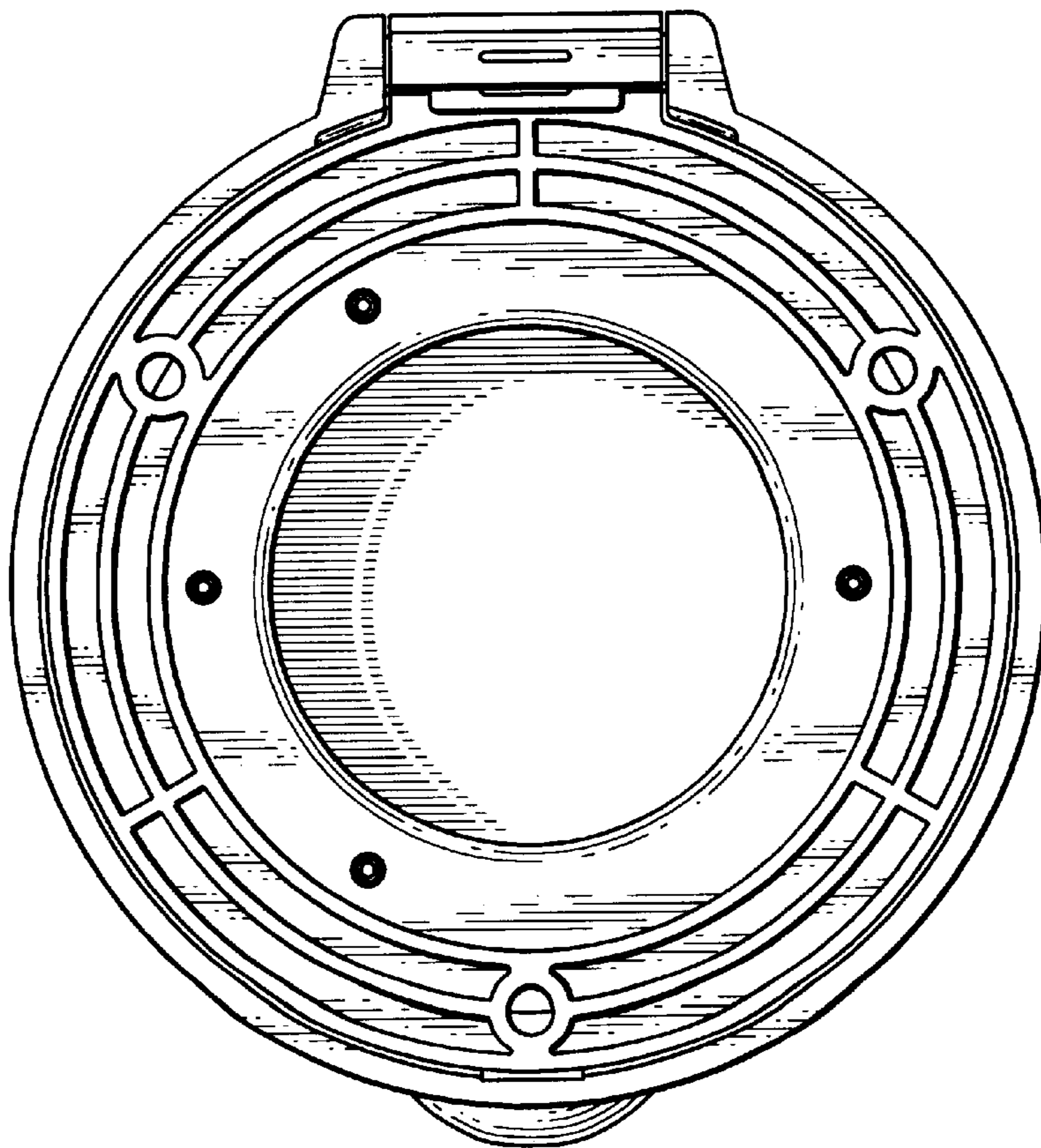


Fig. 6