



US00D410630S

United States Patent [19]

Kodaira et al.

[11] Patent Number: **Des. 410,630**

[45] Date of Patent: **** Jun. 8, 1999**

[54] **TAP OFF FOR A CABLE TELEVISION**

5,058,198 10/1991 Rocci et al. 333/109 X
5,756,935 5/1998 Balanovsky et al. 174/52.1

[75] Inventors: **Makoto Kodaira; Takuya Hatakeyama**, both of Tokyo, Japan

Primary Examiner—Joel Sincavage
Attorney, Agent, or Firm—Jacobson, Price, Holman & Stern, PLLC

[73] Assignee: **Uro Denshi Kogyo Kabushiki Kaisha**, Tokyo, Japan

[**] Term: **14 Years**

[57] CLAIM

The ornamental design for a tap off for a cable television, as shown and described.

[21] Appl. No.: **29/090,057**

[22] Filed: **Jun. 29, 1998**

DESCRIPTION

[51] **LOC (6) Cl.** **13-03**

[52] **U.S. Cl.** **D13/151; D13/147; D13/152**

[58] **Field of Search** D13/151, 152, D13/146, 147, 184; D14/217; 174/50, 52.1, 52.3, 59-65 R; 333/100; 439/578

FIG. 1 is a perspective view showing my new design for a tap off for a cable television,
FIG. 2 is a front elevational view thereof,
FIG. 3 is a right side elevational view thereof,
FIG. 4 is a cross-sectional view taken along line 4—4 in FIG. 2,
FIG. 5 is a top plan view thereof,
FIG. 6 is a left side view thereof,
FIG. 7 is a rear elevational view thereof; and,
FIG. 8 is a bottom plan view thereof.

[56] References Cited

U.S. PATENT DOCUMENTS

D. 396,693 8/1998 Shen D13/147
4,887,979 12/1989 Jacobs 439/578
5,011,422 4/1991 Yeh 439/307

1 Claim, 4 Drawing Sheets

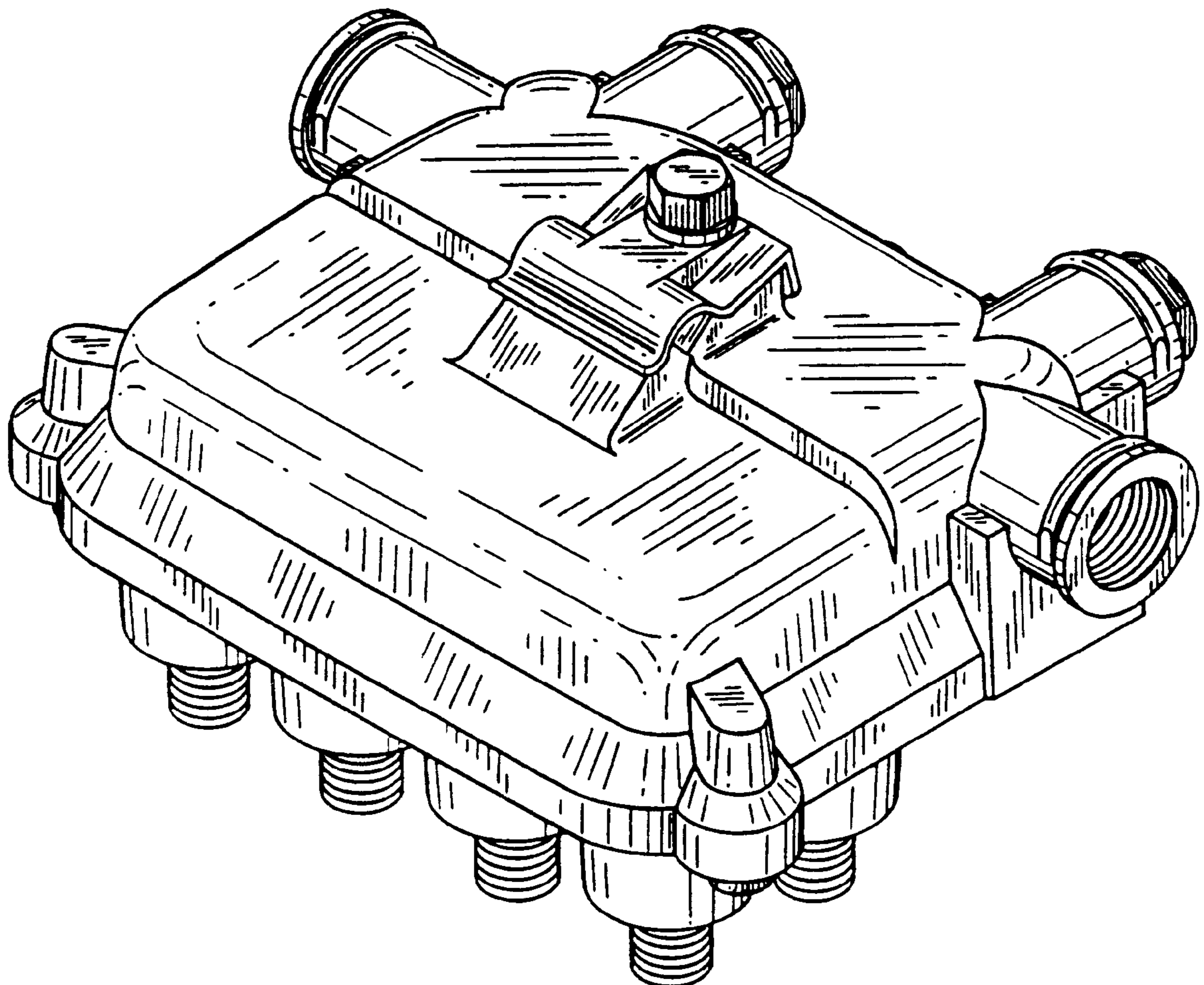


FIG. 1

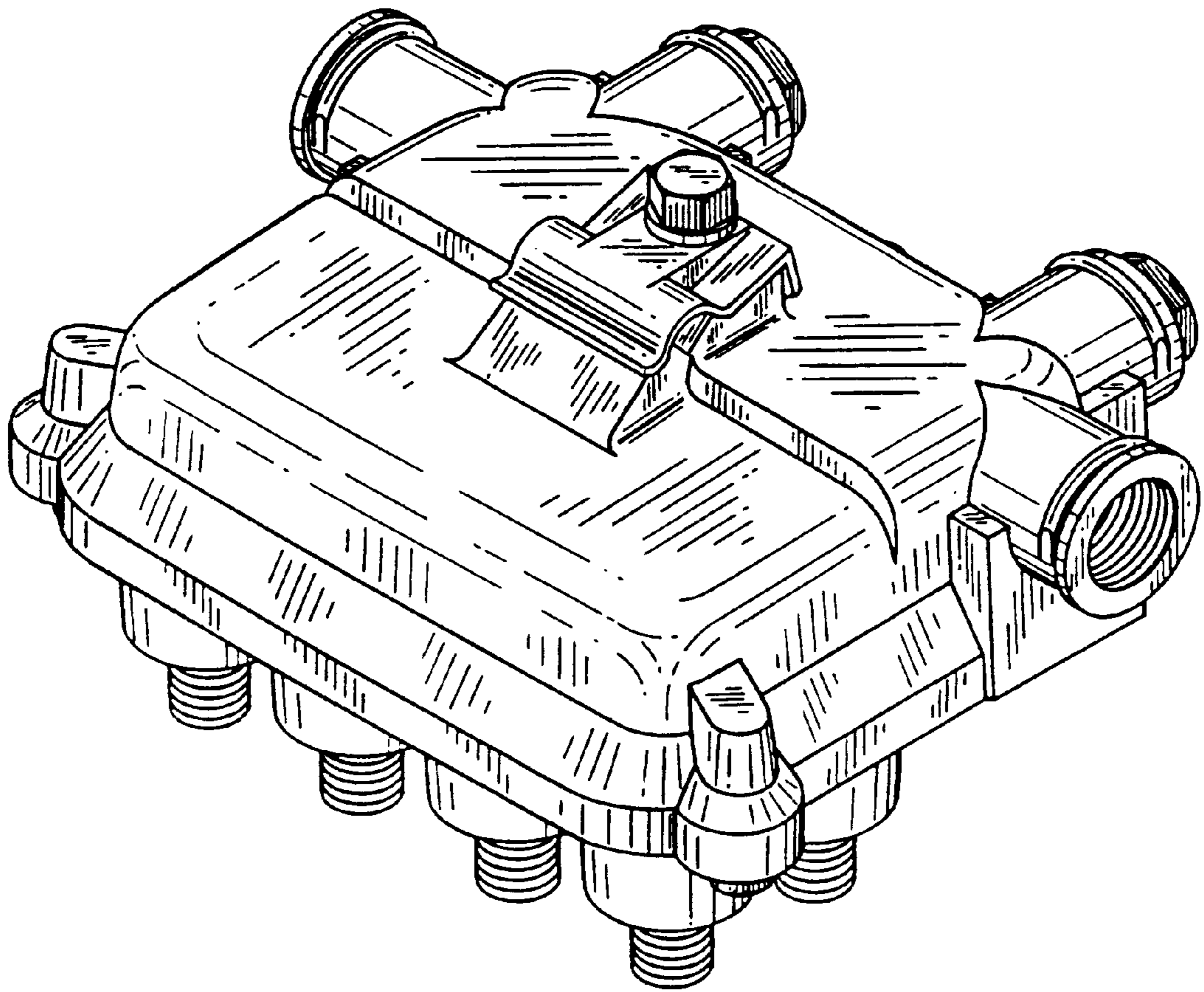


FIG. 2

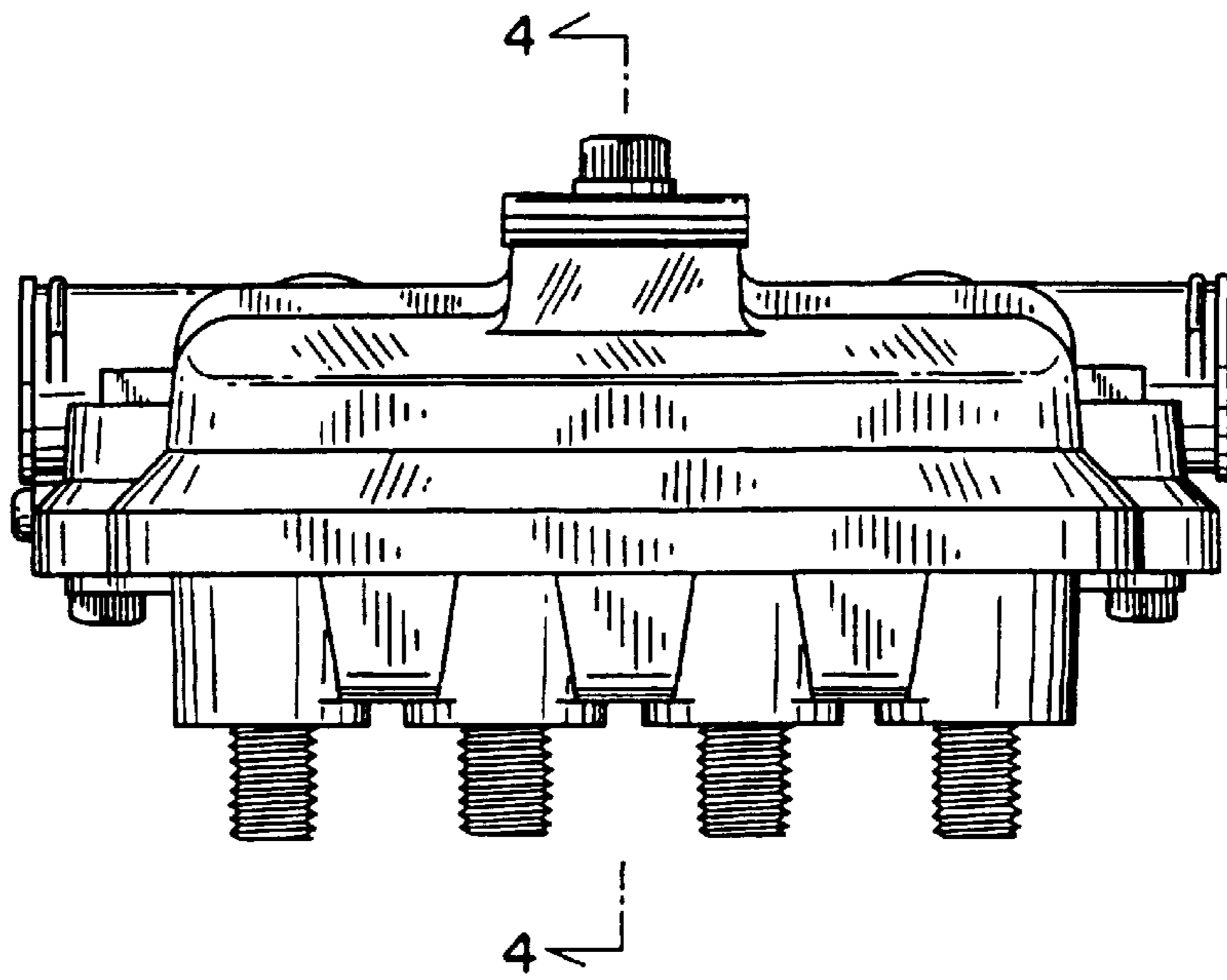


FIG. 3

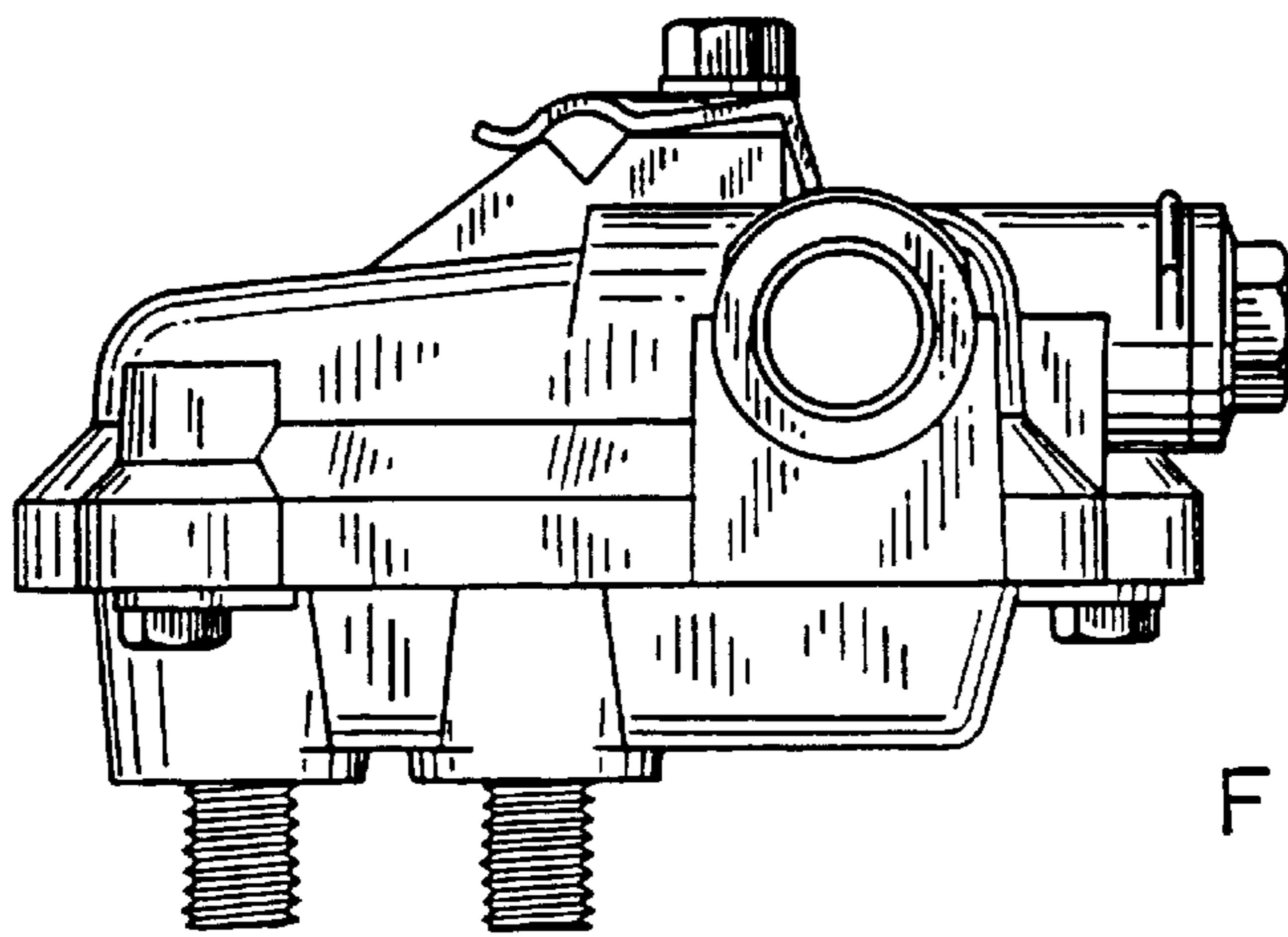


FIG. 4

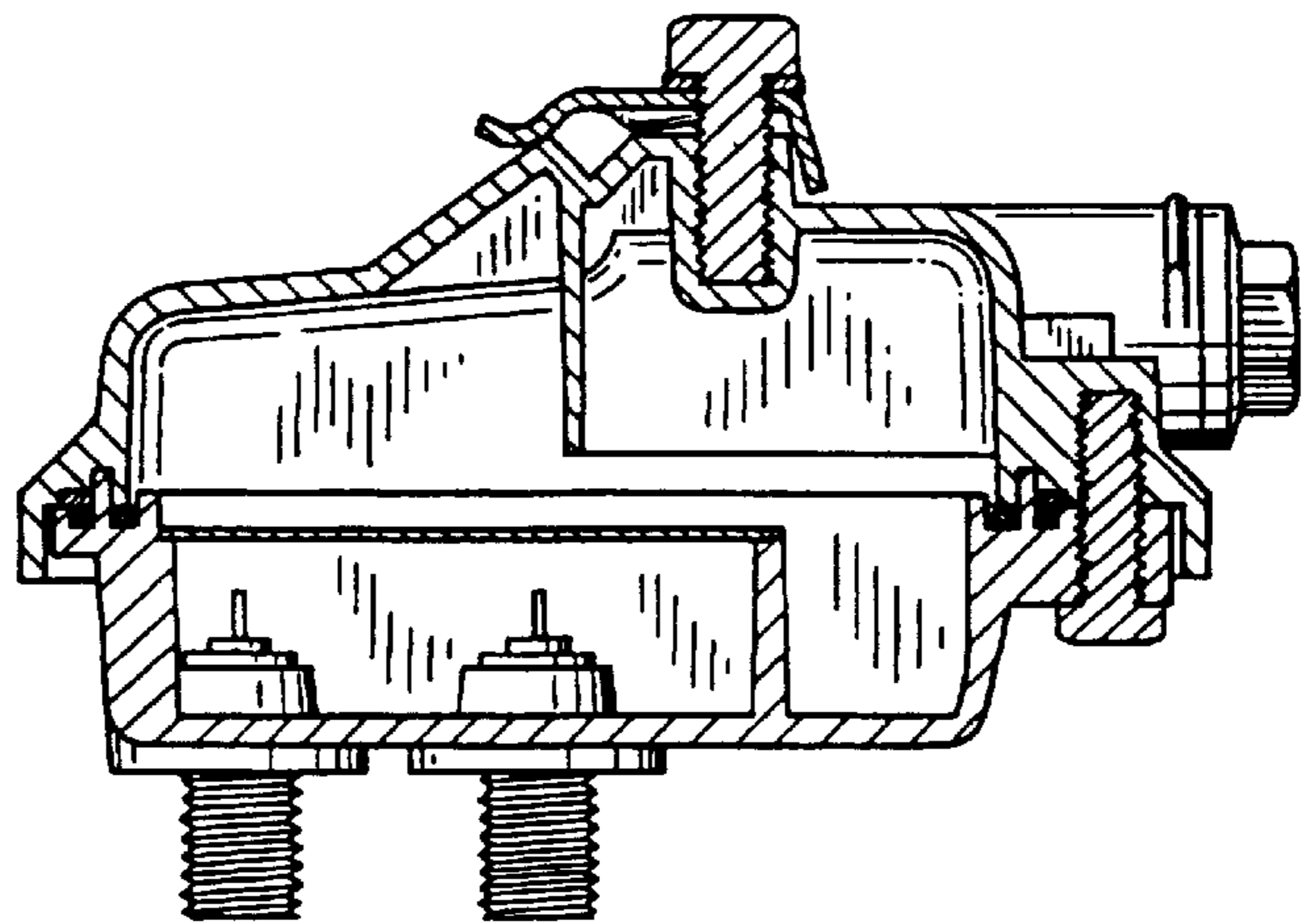


FIG. 5

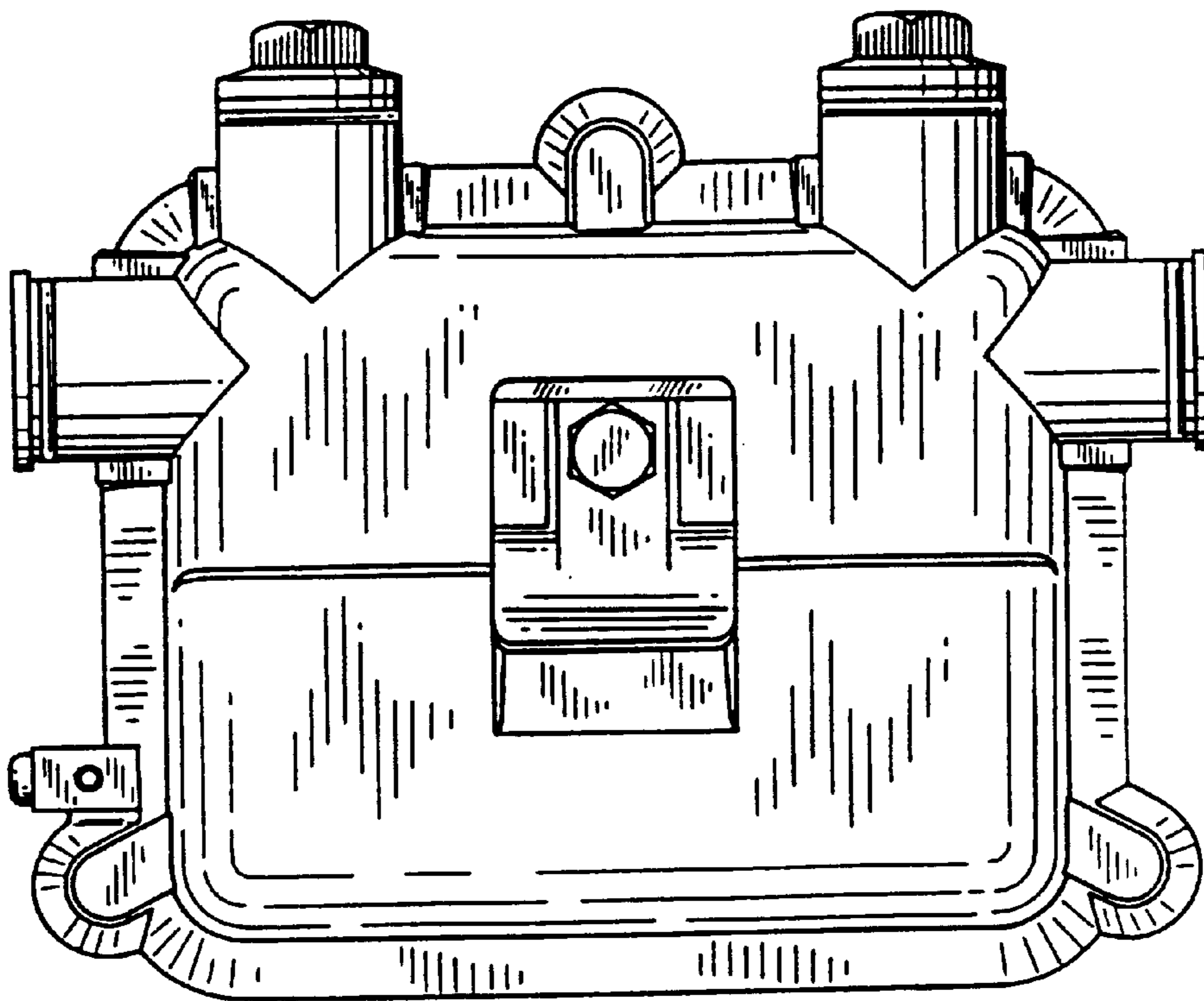


FIG. 6

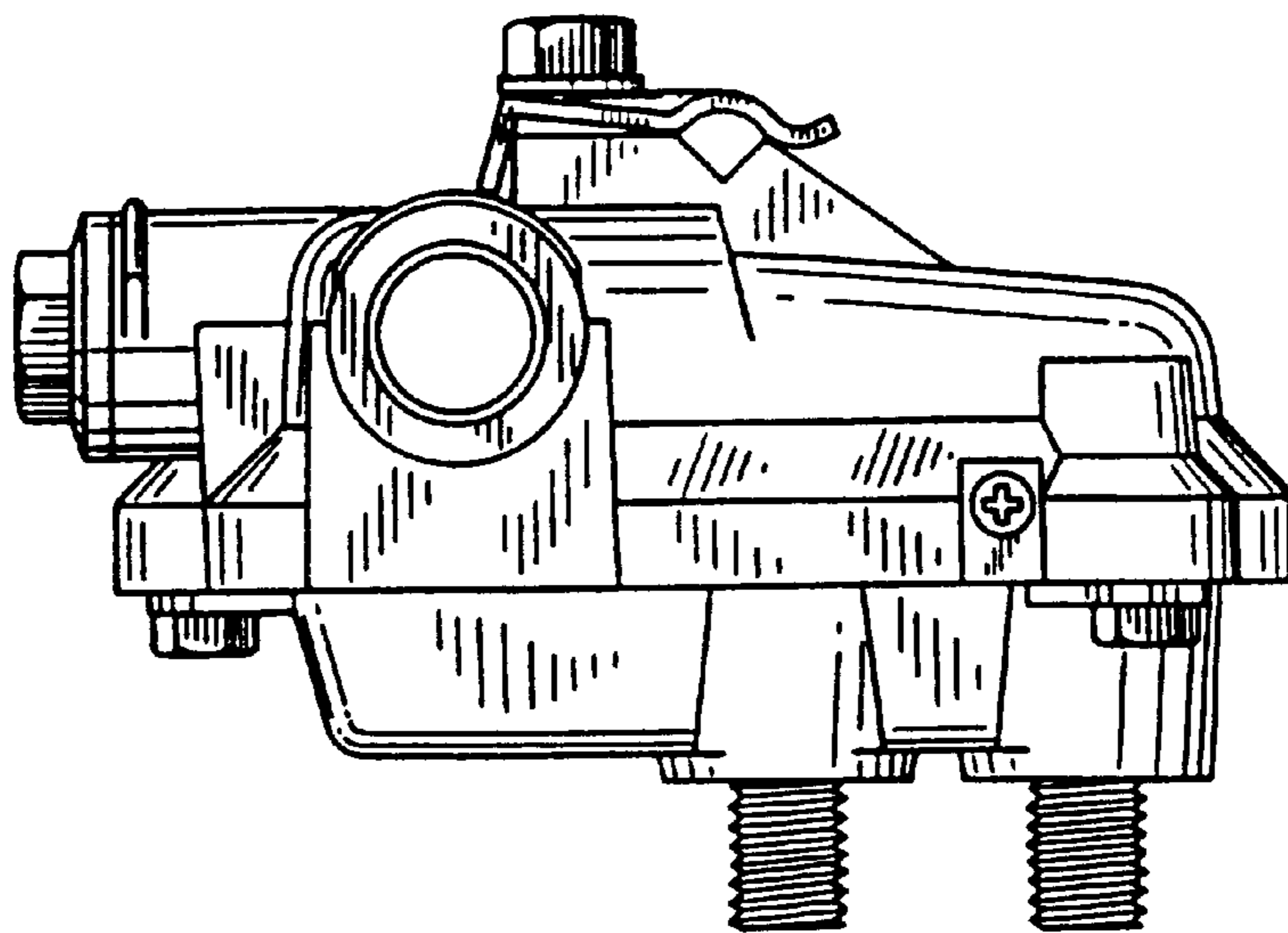


FIG. 7

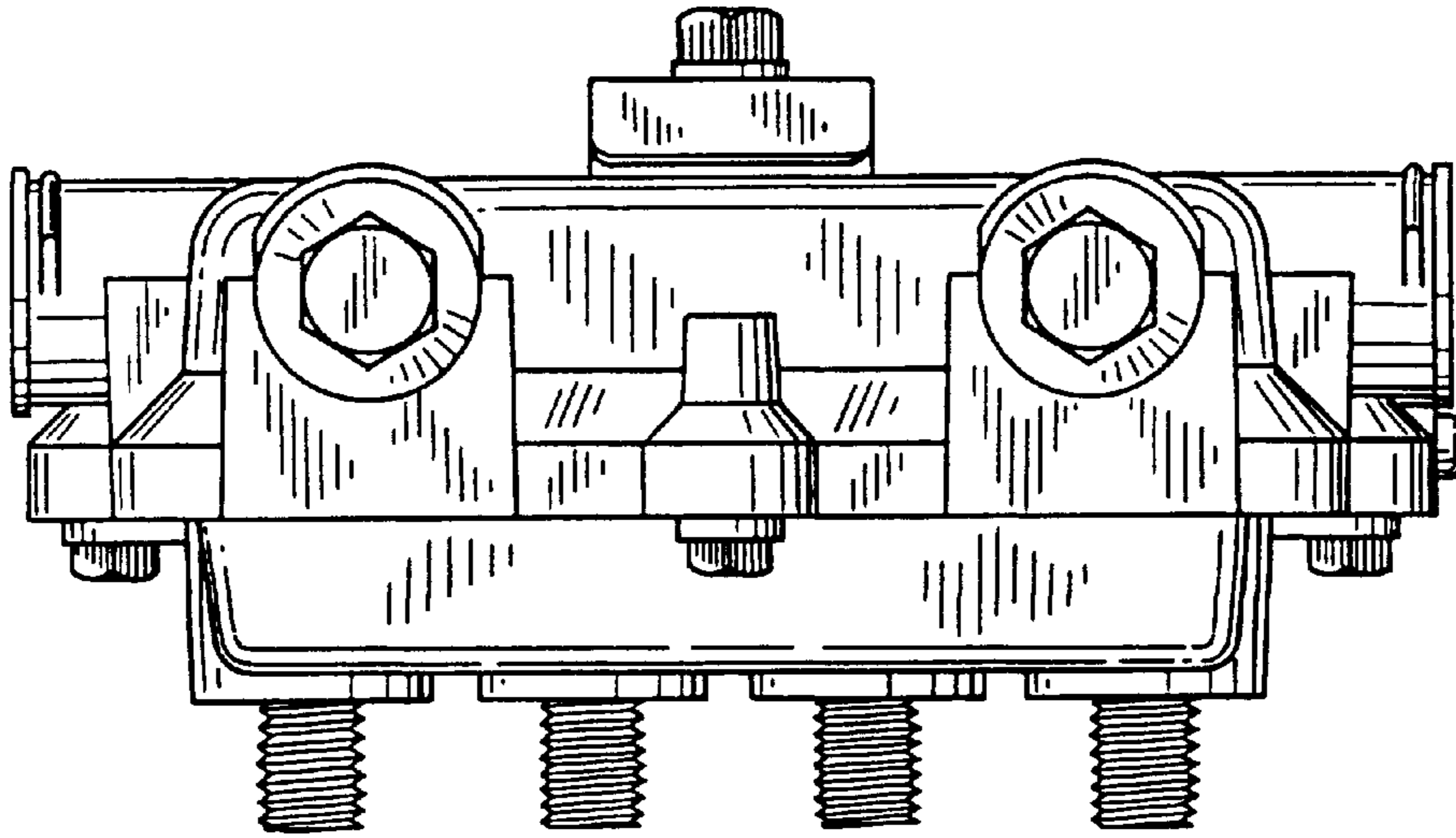


FIG. 8

