



US00D410628S

United States Patent [19] Wu

[11] Patent Number: **Des. 410,628**

[45] Date of Patent: **** Jun. 8, 1999**

[54] **ELECTRICAL CONNECTOR**

[75] Inventor: **Kun-Tsan Wu, Tu-Chen, Taiwan**

[73] Assignee: **Hon Hai Precision Ind. Co., Ltd.,
Taipei Hsien, Taiwan**

[**] Term: **14 Years**

[21] Appl. No.: **29/087,427**

[22] Filed: **May 1, 1998**

[30] **Foreign Application Priority Data**

Nov. 3, 1997 [TW] Taiwan 86309561

[51] **LOC (6) Cl.** **13-03**

[52] **U.S. Cl.** **D13/147**

[58] **Field of Search** D13/146, 147;
439/79, 607, 609, 610, 638, 540, 541.5,
159, 157; 361/684, 683

[56] **References Cited**

U.S. PATENT DOCUMENTS

5,011,420 4/1991 Sakamoto 439/152
5,388,134 2/1995 Hirata 439/159 X
5,503,564 4/1996 Futatsugi et al. 439/157
5,683,258 11/1997 Takano et al. 439/159

5,707,245 1/1998 Yamamoto et al. 439/159 X
5,791,920 8/1998 Tomioka et al. 439/159
5,795,190 8/1998 Ono 439/607
5,816,826 10/1998 Coleman 439/79 X

Primary Examiner—Joel Sincavage

[57] **CLAIM**

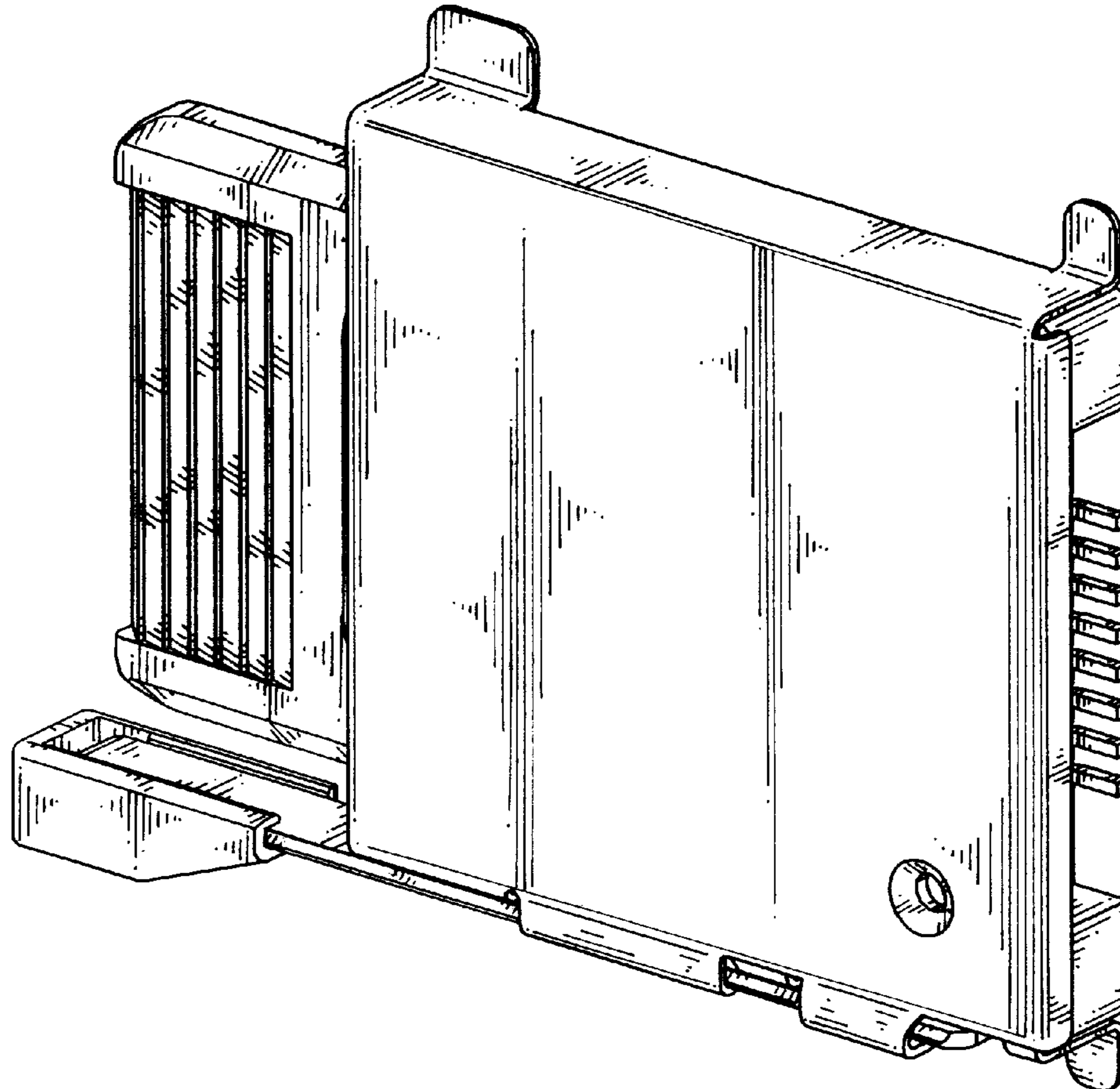
The ornamental design for an electrical connector, as shown and described.

DESCRIPTION

FIG. 1 is a perspective view of an electrical connector showing my new design;
FIG. 2 is a front elevational view thereof;
FIG. 3 is a rear elevational view thereof;
FIG. 4 is a left side elevational view thereof;
FIG. 5 is a right side elevational view thereof;
FIG. 6 is a top plan view thereof;
FIG. 7 is a bottom plan view thereof; and,
FIG. 8 is a perspective view of an embodiment of the electrical connector shown in FIG. 1 with an electronic card inserted therein.

The broken line showing of the electronic card is included for the purpose of illustrating environmental structure only and forms no part of the claimed design.

1 Claim, 8 Drawing Sheets



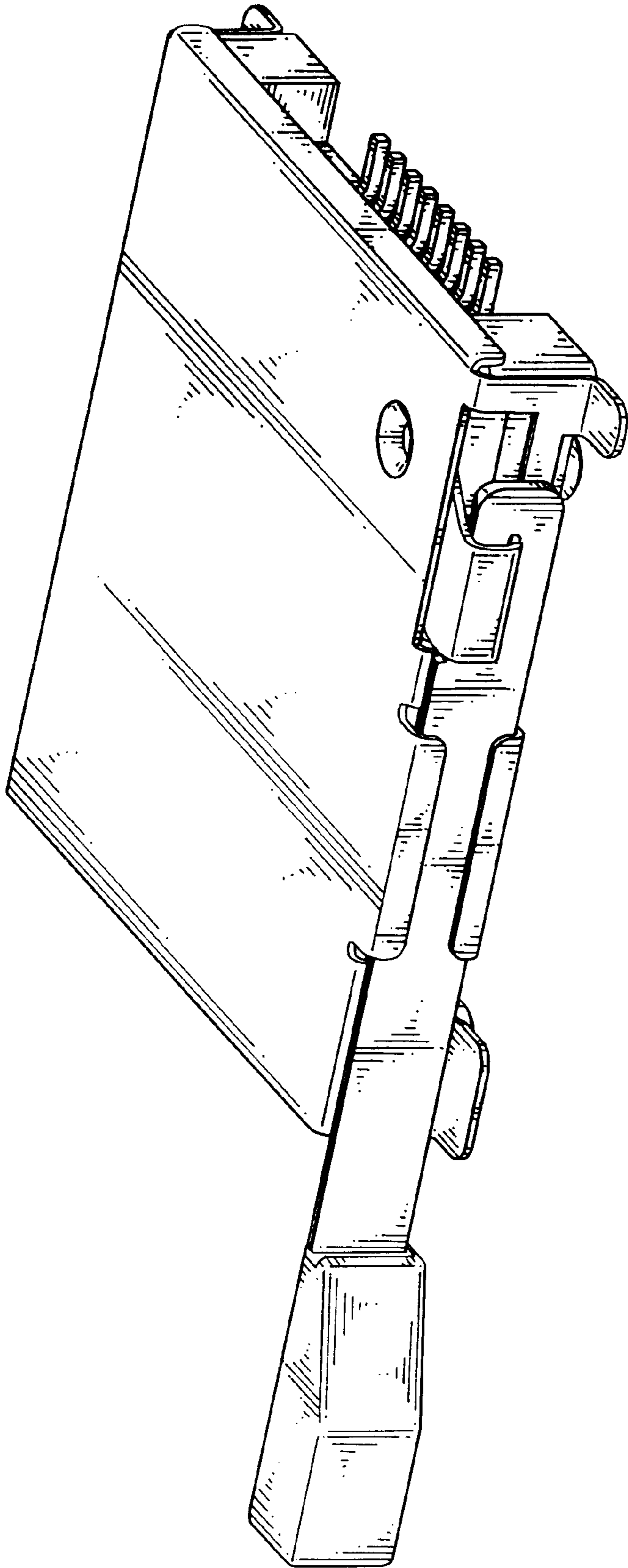


FIG. 1

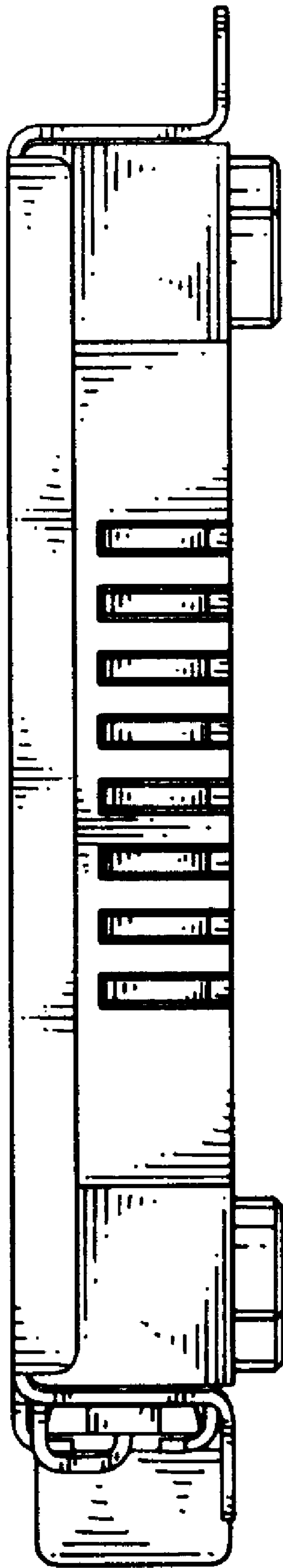


FIG. 2

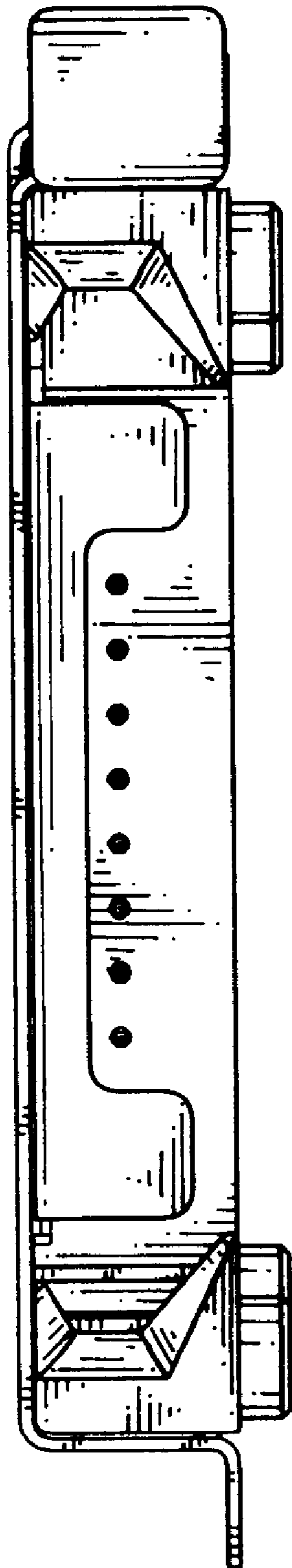


FIG. 3

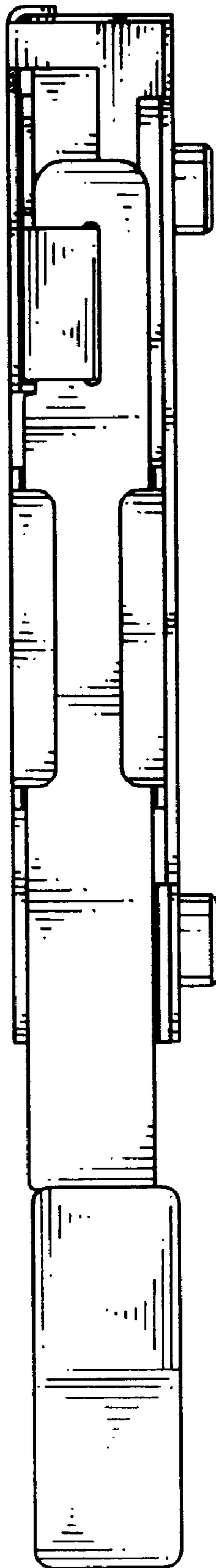


FIG. 4

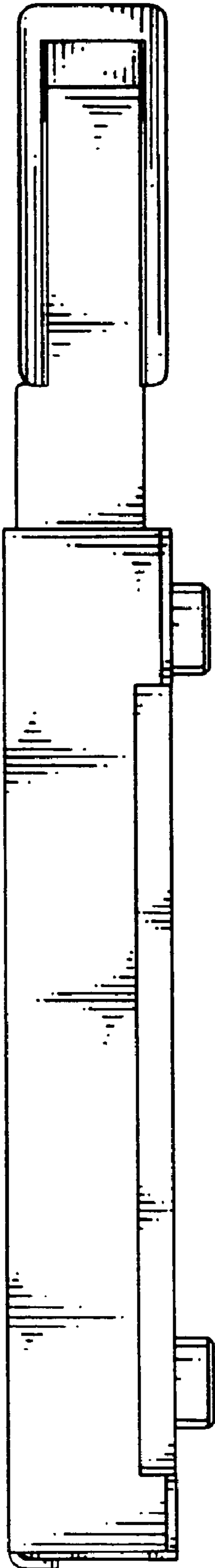


FIG. 5

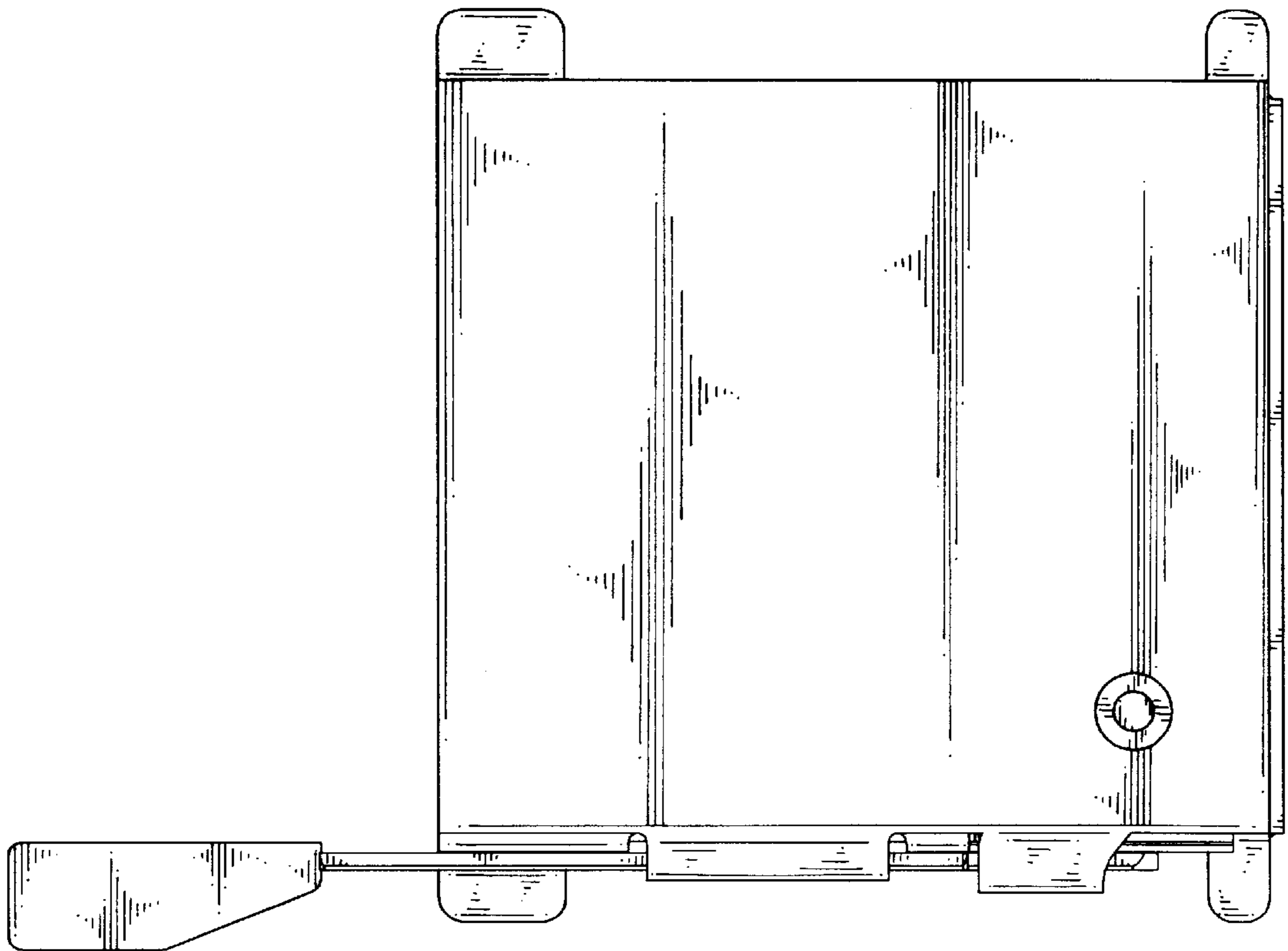


FIG. 6

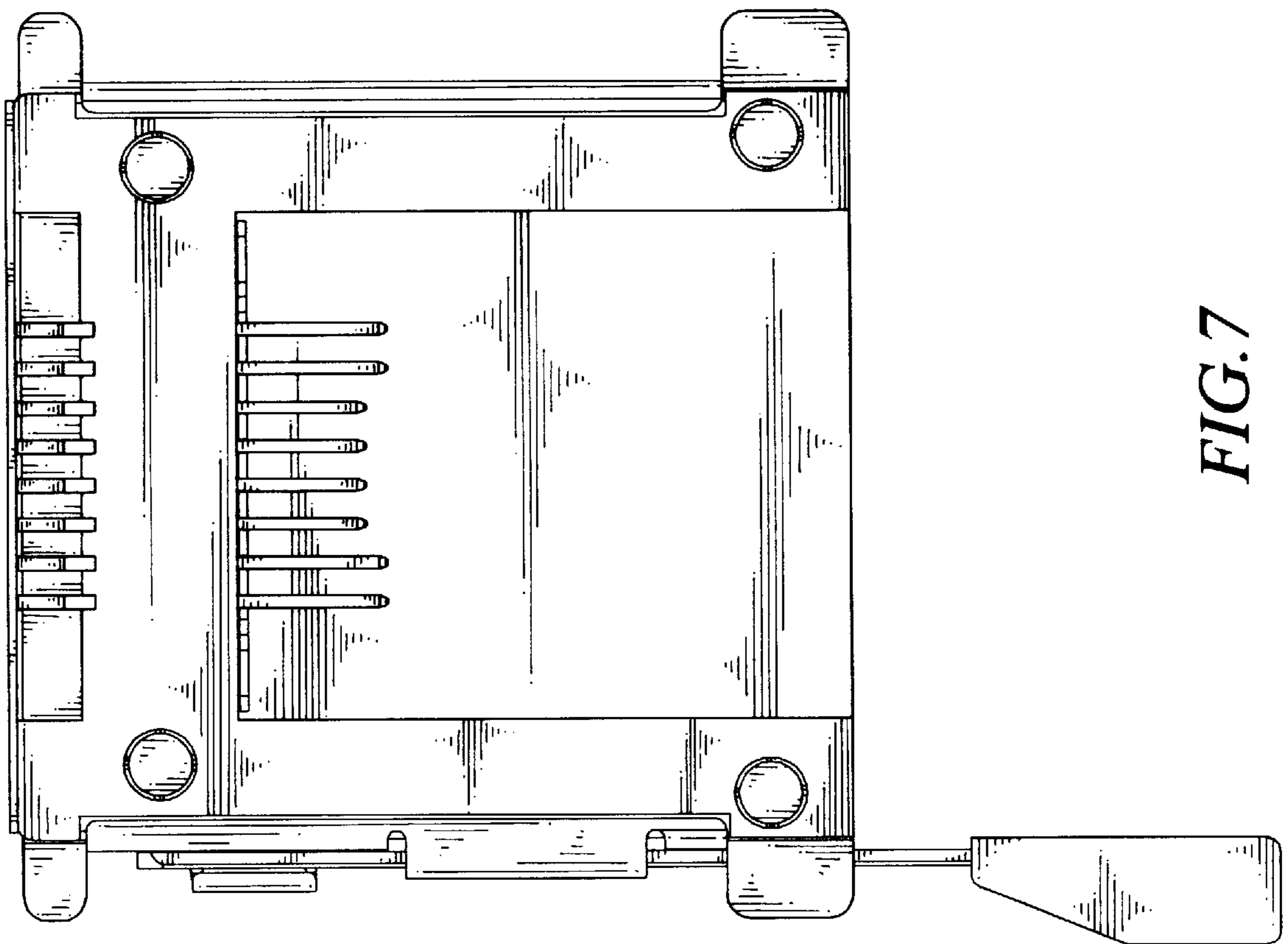


FIG. 7

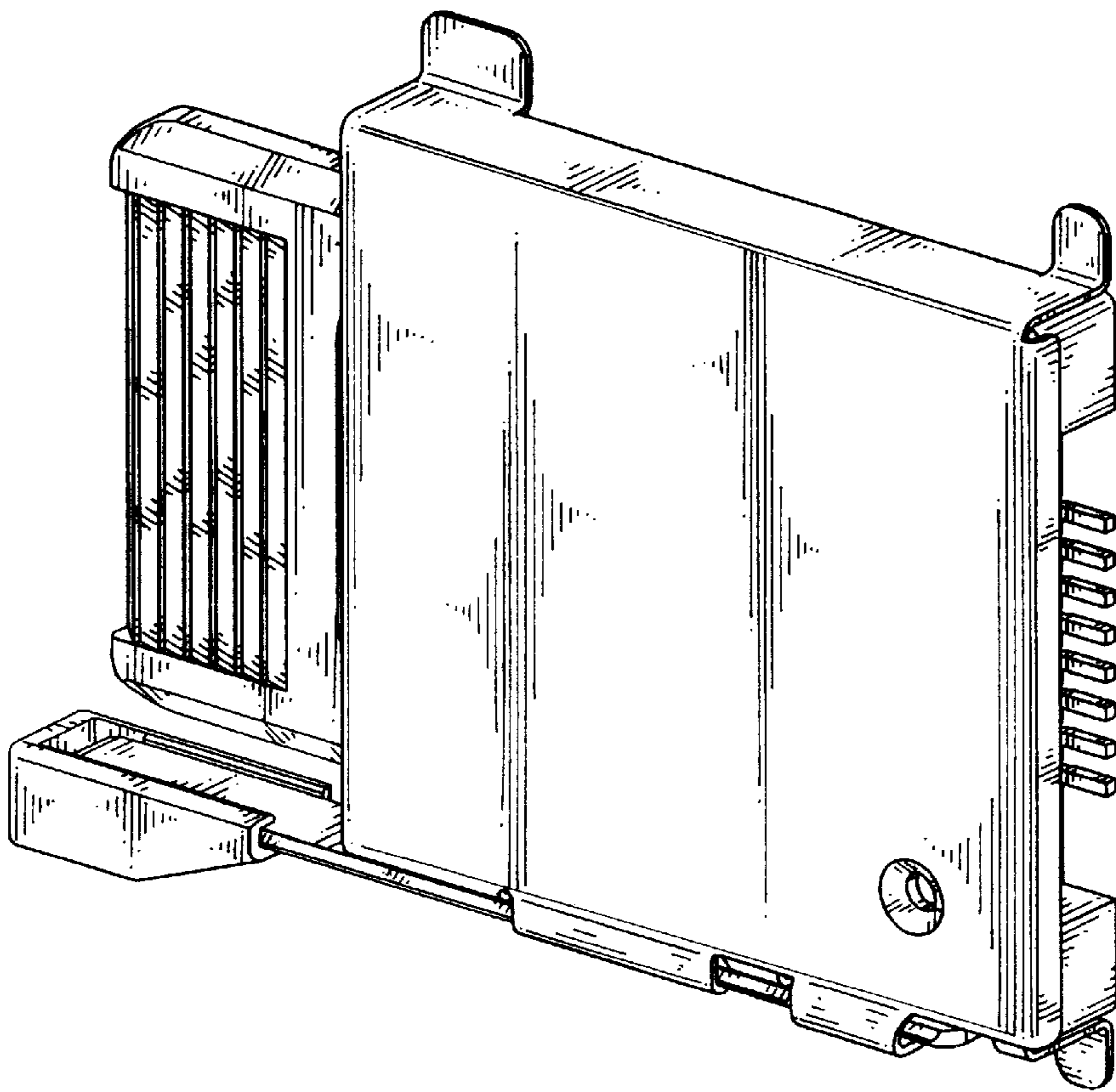


FIG. 8