



US00D410627S

United States Patent [19]

Brandt et al.

[11] Patent Number: Des. 410,627

[45] Date of Patent: ** Jun. 8, 1999

[54] CABLE CONNECTOR INTERFACE

[75] Inventors: David D. Brandt, Milwaukee, Wis.; Robert E. Lounsbury, Chardon, Ohio; Dennis C. Mackey, Hamilton, Mass.; Earl W. McCleerey, Mechanicsburg, Pa.; Michael E. Shirk, Grantville, Pa.; Brian J. Taylor, Arlington, Mass.; Douglas M. Walburn, Linglestown, Pa.; Robert W. Walker, Harrisburg, Pa.; Robert N. Whiteman, Jr., Middletown, Pa.

[73] Assignee: Allen-Bradley Company, LLC, Milwaukee, Wis.

[**] Term: 14 Years

[21] Appl. No.: 29/079,088

[22] Filed: Nov. 7, 1997

[51] LOC (6) Cl. 13-03

[52] U.S. Cl. D13/146

[58] Field of Search D13/146, 147; 439/405, 409, 499, 634, 712, 715, 724

[56] References Cited

U.S. PATENT DOCUMENTS

- D. 340,912 11/1993 Miller D13/147 X
- D. 340,913 11/1993 Miller D13/147 X
- 3,877,774 4/1975 Dorrell 339/99

- 4,169,647 10/1979 Knowles 439/405
- 4,188,083 2/1980 Knowles 439/405 X
- 4,209,219 6/1980 Proietto 339/99
- 4,252,396 2/1981 Wilson 439/405
- 4,466,050 8/1984 Lockard 362/307
- 4,508,399 4/1985 Dowling et al. 339/17
- 5,188,541 2/1993 Comerci et al. 439/499 X
- 5,453,022 9/1995 Staiger et al. 439/404

Primary Examiner—Joel Sincavage
Attorney, Agent, or Firm—Patrick S. Yoder; John J. Horn; John M. Miller

[57] CLAIM

The ornamental design for a cable connector interface, as shown and described.

DESCRIPTION

FIG. 1 is a top perspective view of a cable interface in accordance with our design, a body of a connector and insulation displacement pins being shown in broken lines for illustrative purposes only; FIG. 2 is a right side view thereof, showing a longitudinal profile of the interface; FIG. 3 is a left side view thereof, this view being a mirror image of the profile illustrated in FIG. 2; and, FIG. 4 is a top plan view thereof. The broken lines throughout the drawing views are included for the purpose of illustrating environmental structure only and form no part of the claimed design.

1 Claim, 1 Drawing Sheet

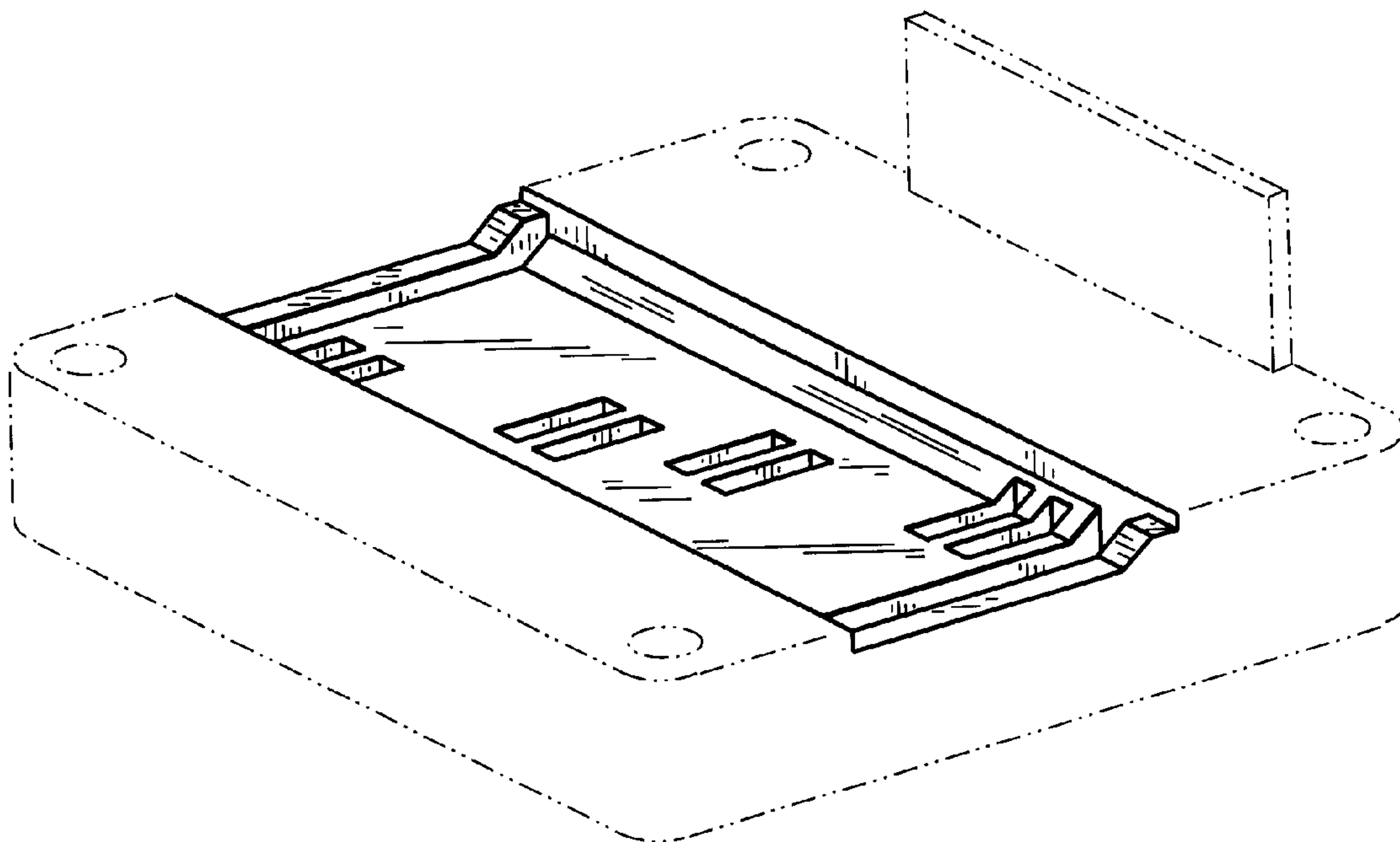


FIG. 1

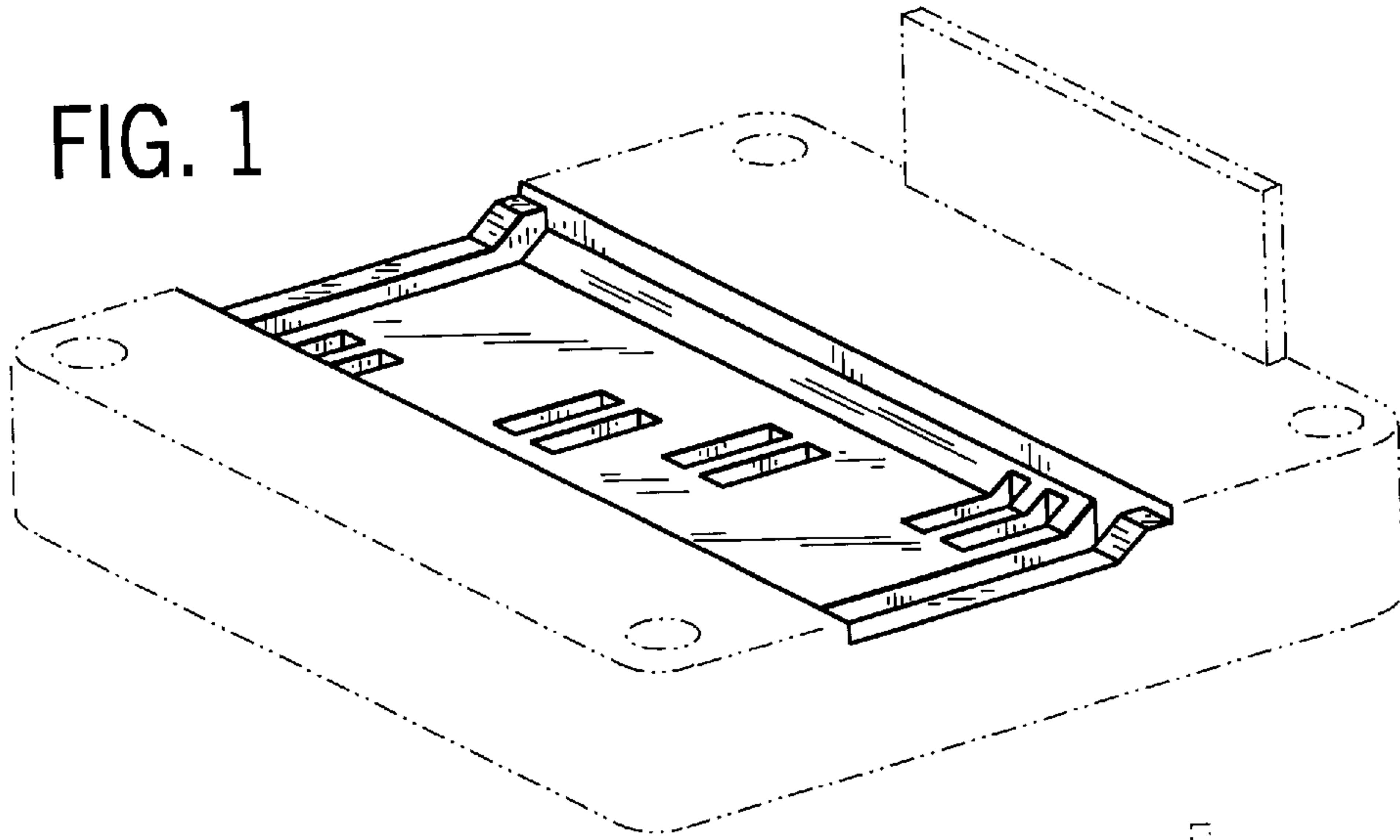


FIG. 2

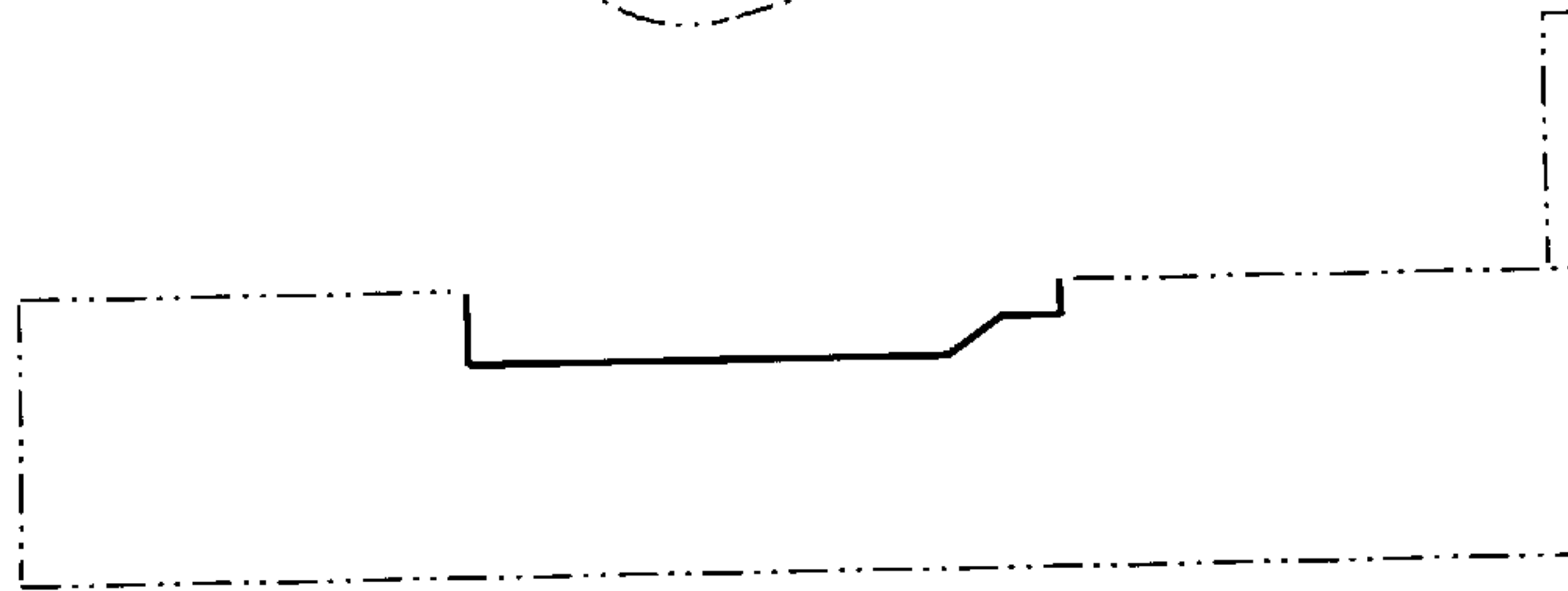


FIG. 3



FIG. 4

