



US00D410626S

United States Patent [19] Huang

[11] **Patent Number: Des. 410,626**
[45] **Date of Patent: ** Jun. 8, 1999**

[54] **ELECTRICAL OUTLET STRIP**

D. 368,467 4/1996 Parshad D13/139.8
D. 369,784 5/1996 Pogue et al. D13/160

[76] Inventor: **Hobbes Huang**, 18F-1, No. 77,
Hsin-Tai 5th Rd., Sec. 1, Hsi-Chin
Cheng, Taipei Hsien, Taiwan

Primary Examiner—Alan P. Douglas
Assistant Examiner—Jennifer Rivard
Attorney, Agent, or Firm—Rosenberg, Klein & Bilker

[**] Term: **14 Years**

[57] CLAIM

[21] Appl. No.: **29/094,676**

The ornamental design for an electrical outlet strip, as shown and described.

[22] Filed: **Oct. 7, 1998**

[51] **LOC (6) Cl.** **13-03**

DESCRIPTION

[52] **U.S. Cl.** **D13/139.6**

FIG. 1 is the perspective view of a “electrical outlet strip” showing my new design;

[58] **Field of Search** 200/51.09, 51.11;

439/682, 692, 620, 650, 651, 652, 501,
76.1; D13/139.1–139.8; 361/643, 119, 115,
59, 56

FIG. 2 is the front view thereof;

FIG. 3 is the rear view thereof;

FIG. 4 is the left side view thereof;

FIG. 5 is the right side view thereof;

FIG. 6 is the top view thereof; and,

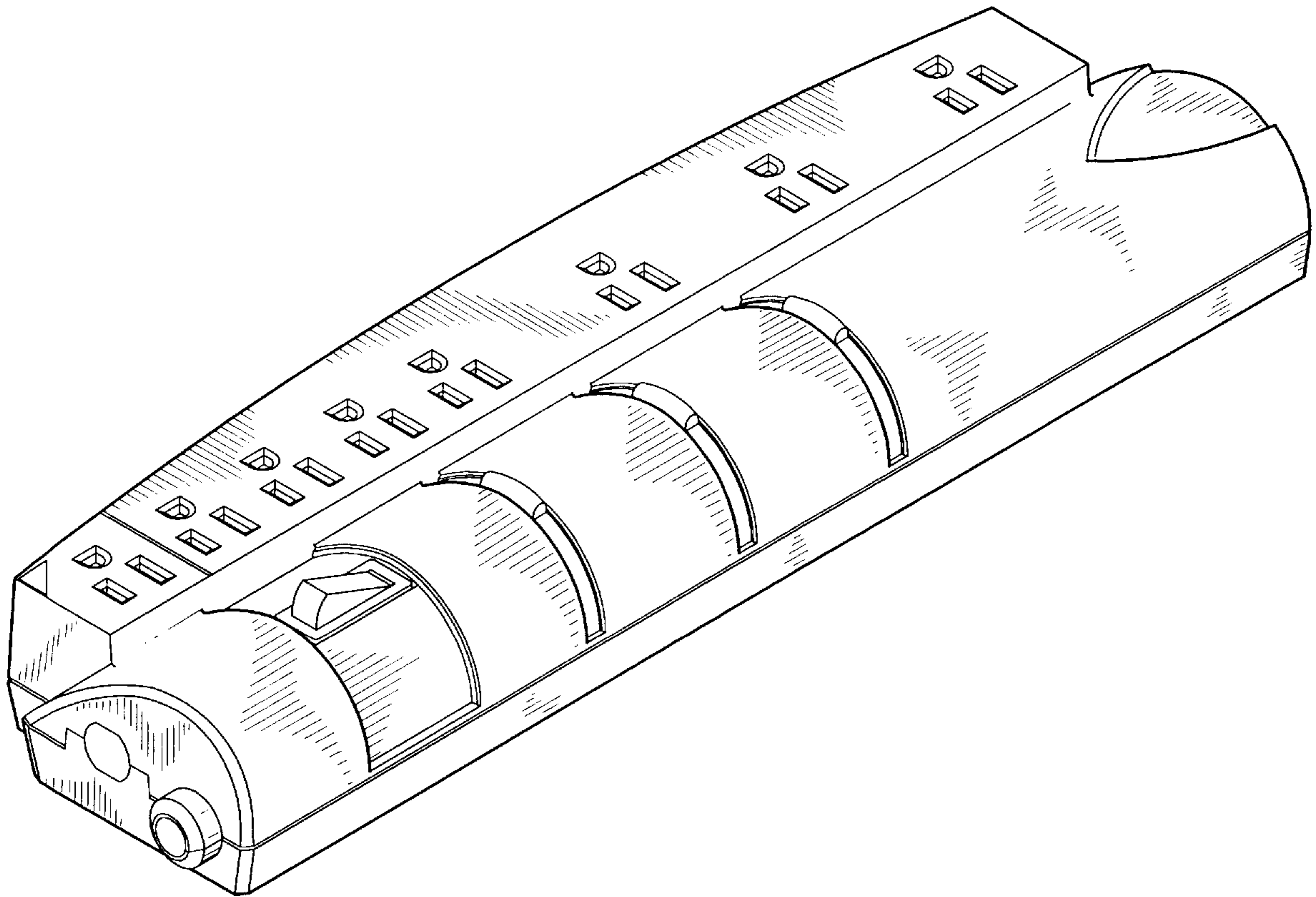
FIG. 7 is the bottom view thereof.

[56] References Cited

U.S. PATENT DOCUMENTS

D. 342,055 12/1993 Wakefield D13/160
D. 350,917 9/1994 Rossman et al. D13/139.8

1 Claim, 4 Drawing Sheets



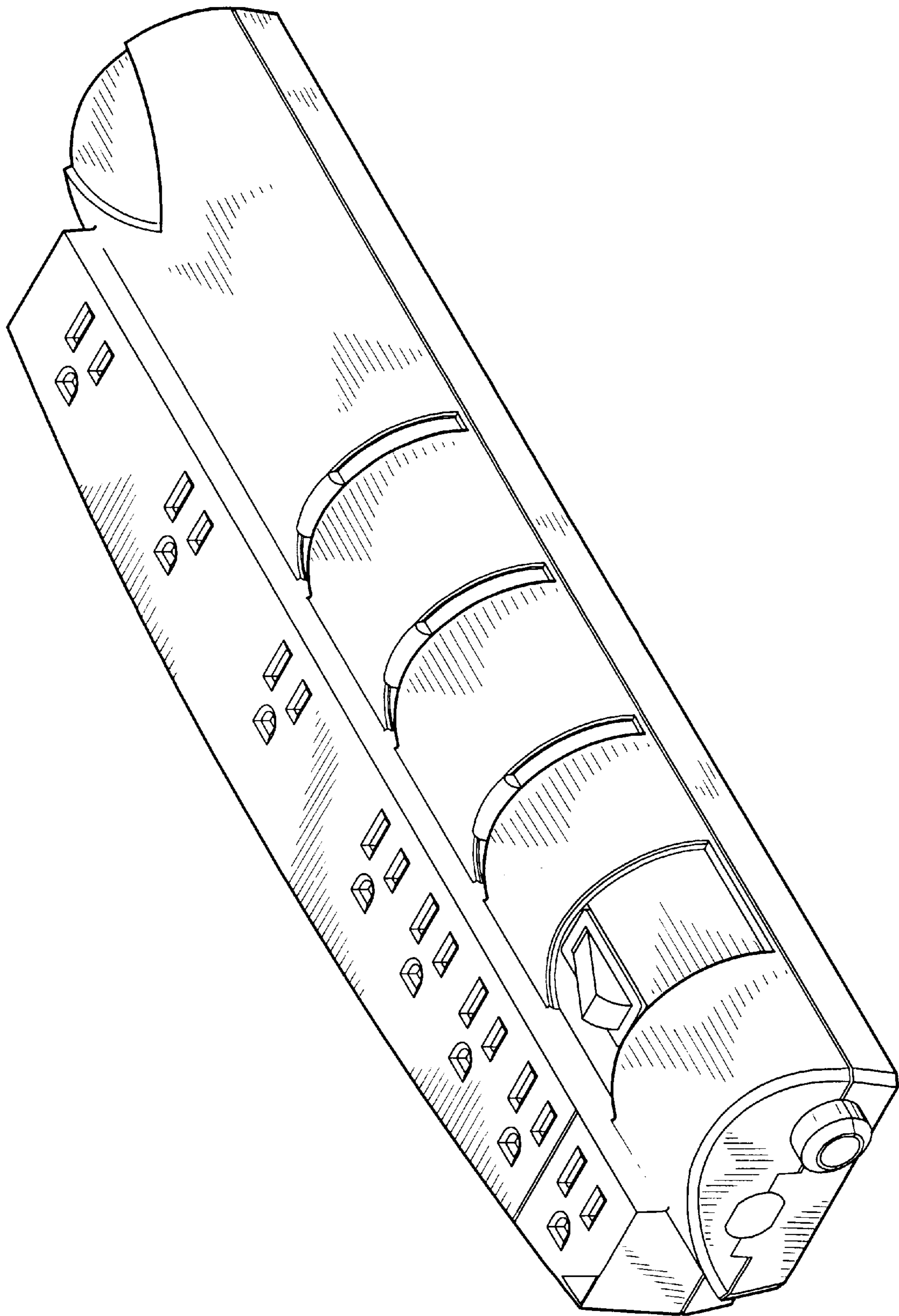


FIG. 1

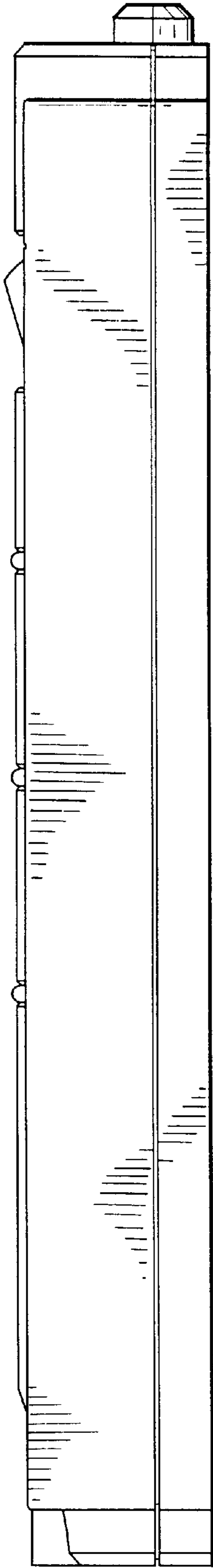


FIG. 3

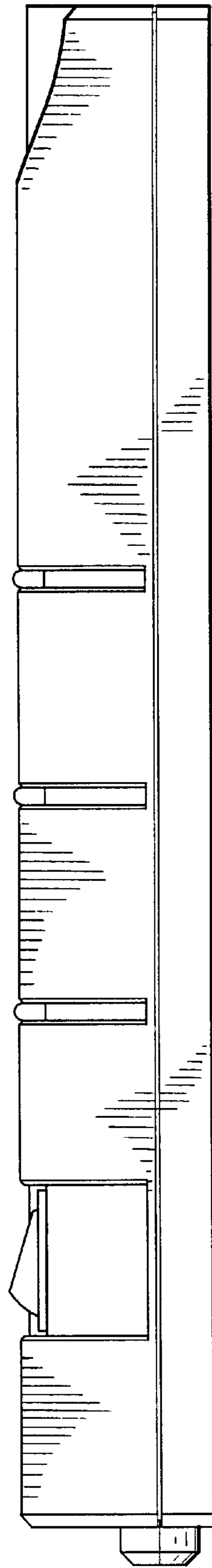


FIG. 2

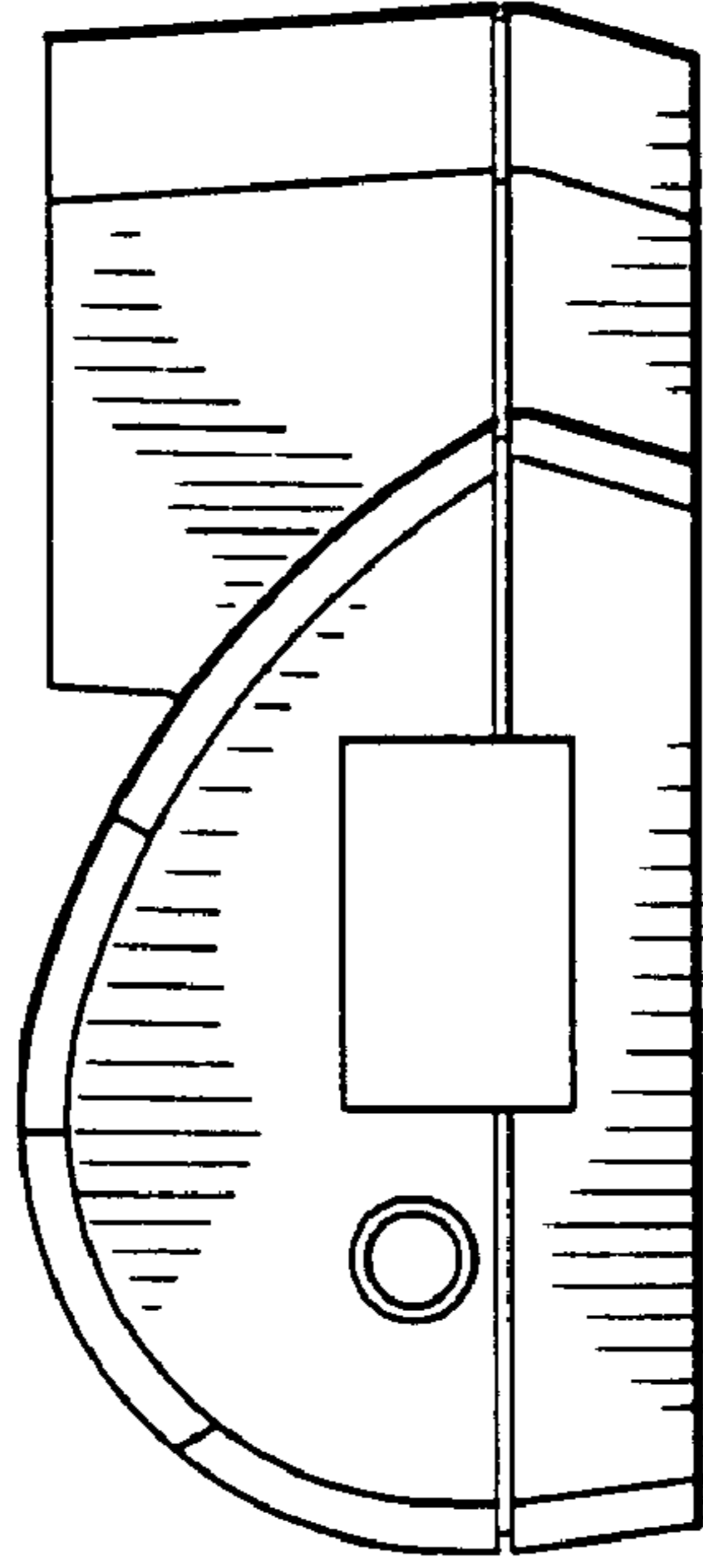


FIG. 5

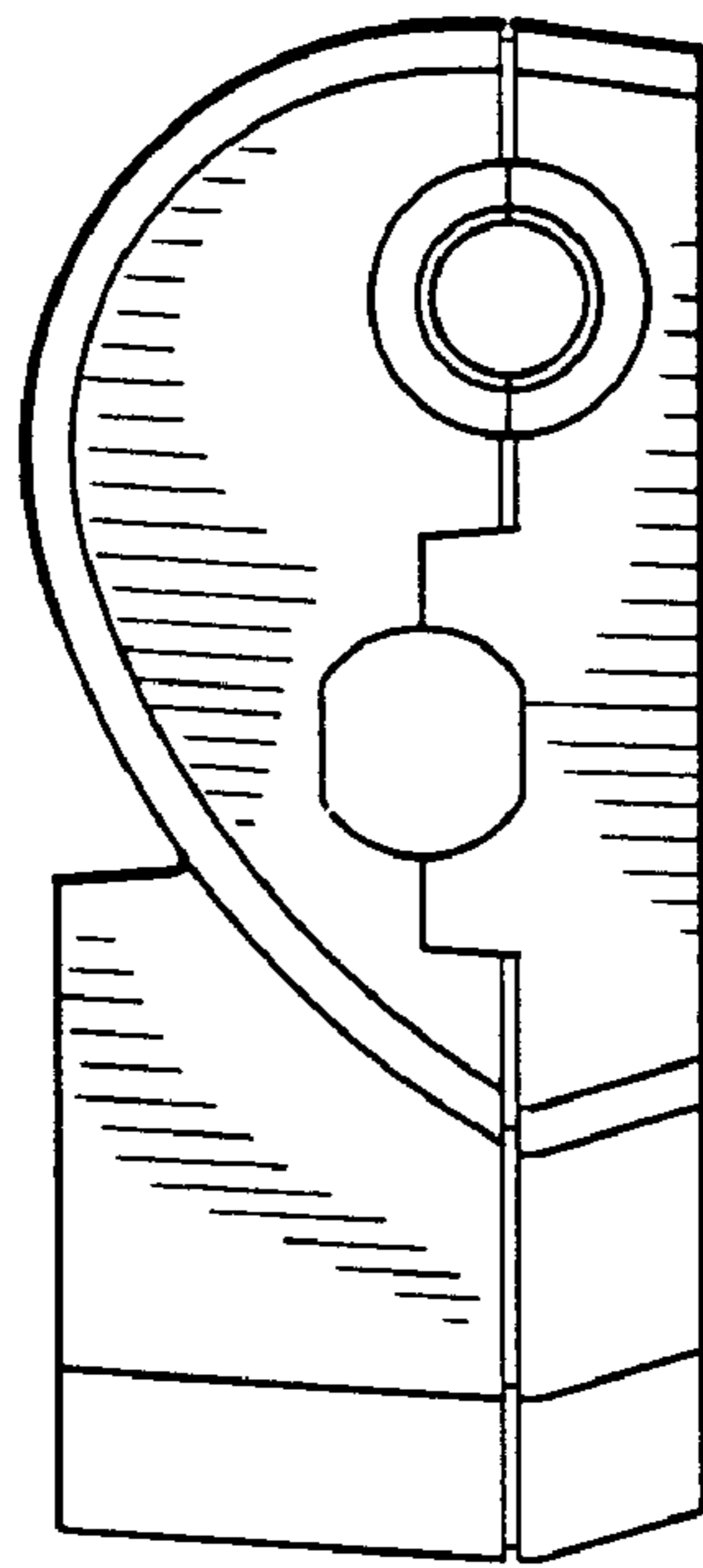


FIG. 4

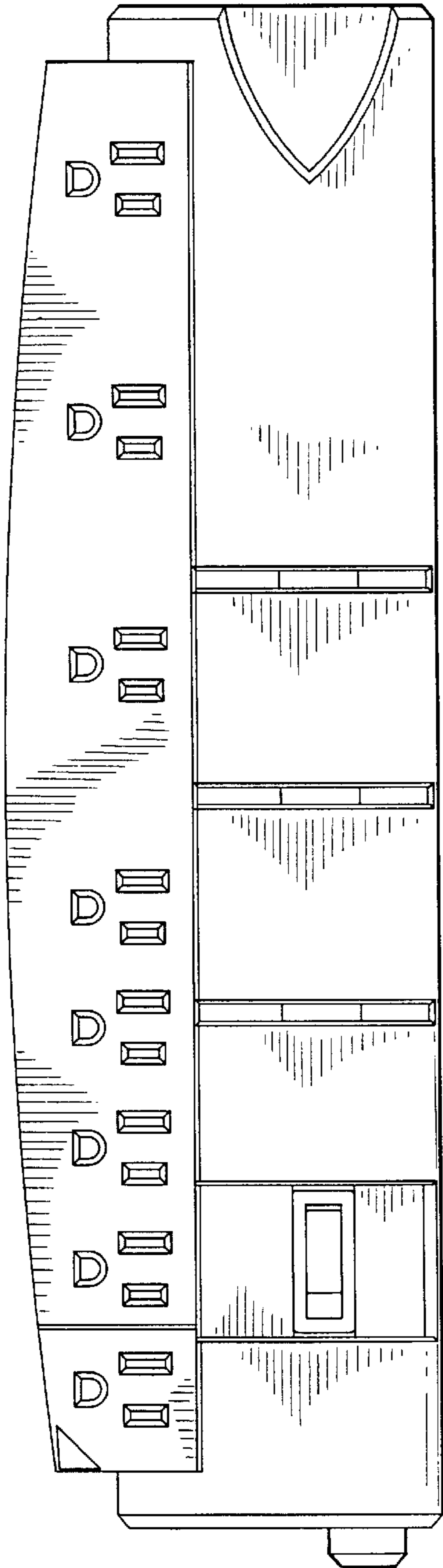


FIG. 6

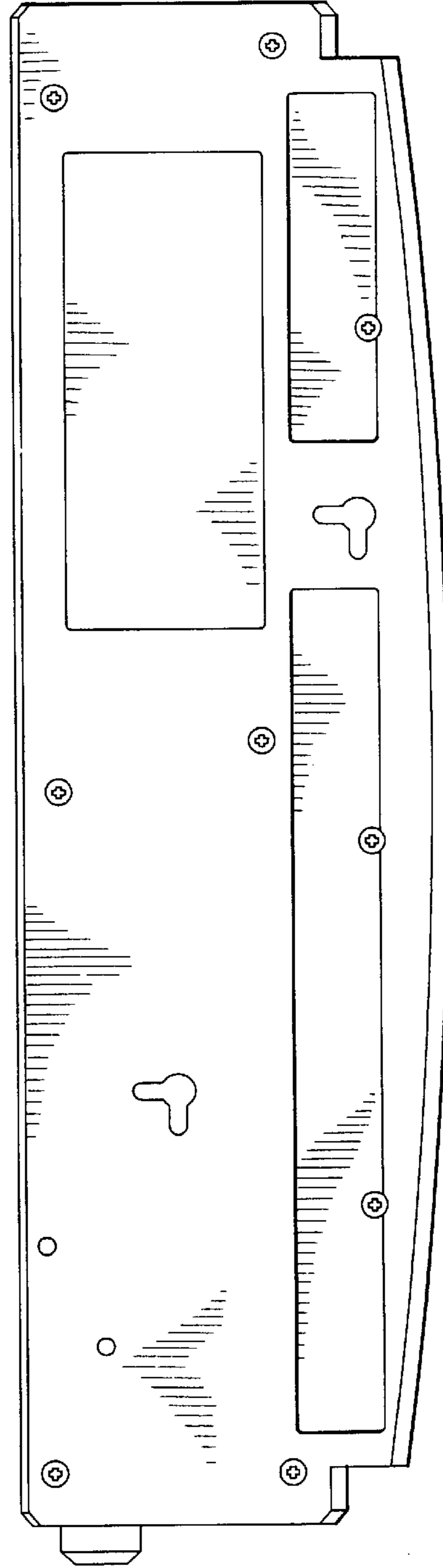


FIG. 7