



US00D410622S

United States Patent [19] Richter

[11] **Patent Number: Des. 410,622**
[45] **Date of Patent: ** Jun. 8, 1999**

[54] **INSTRUMENT HOLDER**

[76] Inventor: **Herbert Richter**, Drosselweg 8, 75331 Engelbrand, Germany

[**] Term: **14 Years**

[21] Appl. No.: **29/087,464**

[22] Filed: **May 4, 1998**

[51] **LOC (6) Cl. 12-16**

[52] **U.S. Cl. D12/425**

[58] **Field of Search** D12/400, 415-418, D12/425, 426.1; D6/418, 458, 462, 513, 553, 574, 509-512; 108/6, 44, 139, 142-144; 211/86-90, 126, 134, 71, 75; 248/309.1, 311.2, 205.5; D24/227, 127-128

[56] **References Cited**

U.S. PATENT DOCUMENTS

D. 331,332	12/1992	Farmer	D6/509	X
D. 344,651	3/1994	Reese	D6/574	
D. 366,799	2/1996	Curtin	D6/574	
D. 387,807	12/1997	McAllister	D6/553	X
4,672,898	6/1987	Davidson	108/44	
4,872,174	10/1989	Sheppard et al.	224/400	
4,877,164	10/1989	Baucom	224/545	
4,962,874	10/1990	Hagglund	224/276	X
5,086,958	2/1992	Nagy	224/311	

5,407,158	4/1995	Baird	248/205.5	
5,485,793	1/1996	Crowell	108/44	
5,550,311	8/1996	Soltau	224/483	
5,785,222	7/1998	Basso et al.	224/555	

Primary Examiner—Doris V. Coles
Assistant Examiner—Stacia Sinuik
Attorney, Agent, or Firm—Klaus J. Bach

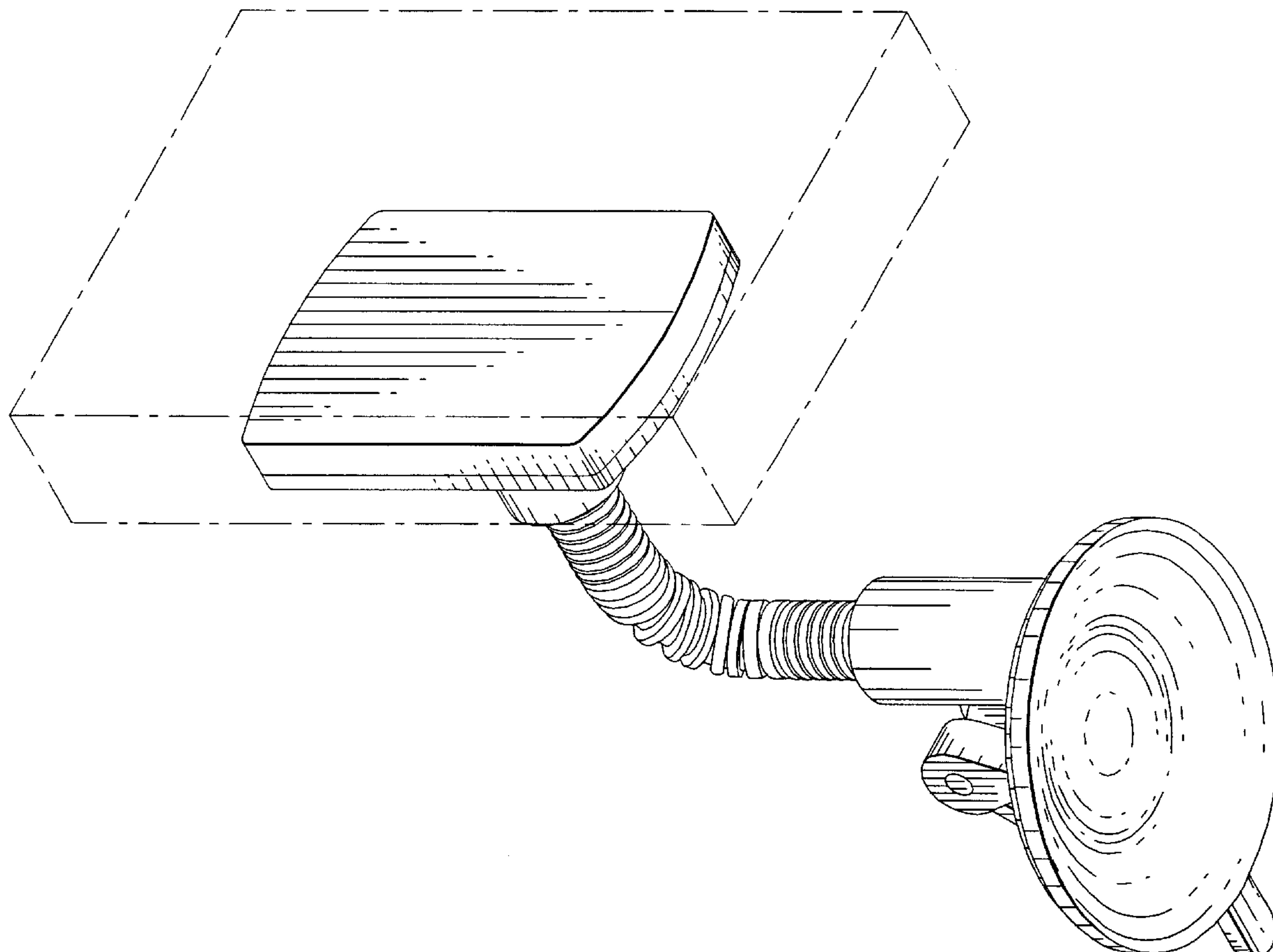
[57] **CLAIM**

The ornamental design for an instrument holder, as shown and described.

DESCRIPTION

FIG. 1 is a perspective view of the instrument holder; FIG. 2 is a top view of the instrument holder shown in FIG. 1; FIG. 3 is a bottom view of the instrument holder shown in FIG. 1; FIG. 4 is a side view of the instrument holder shown in FIG. 3; FIG. 5 is a right end view of the instrument holder shown in FIG. 1 but supporting the instrument from the top; and, FIG. 6 is a left end view of the instrument holder shown in FIG. 1, supporting the instrument from the top. The broken line showing of environment is for illustrative purposes only and forms no part of the claimed design.

1 Claim, 3 Drawing Sheets



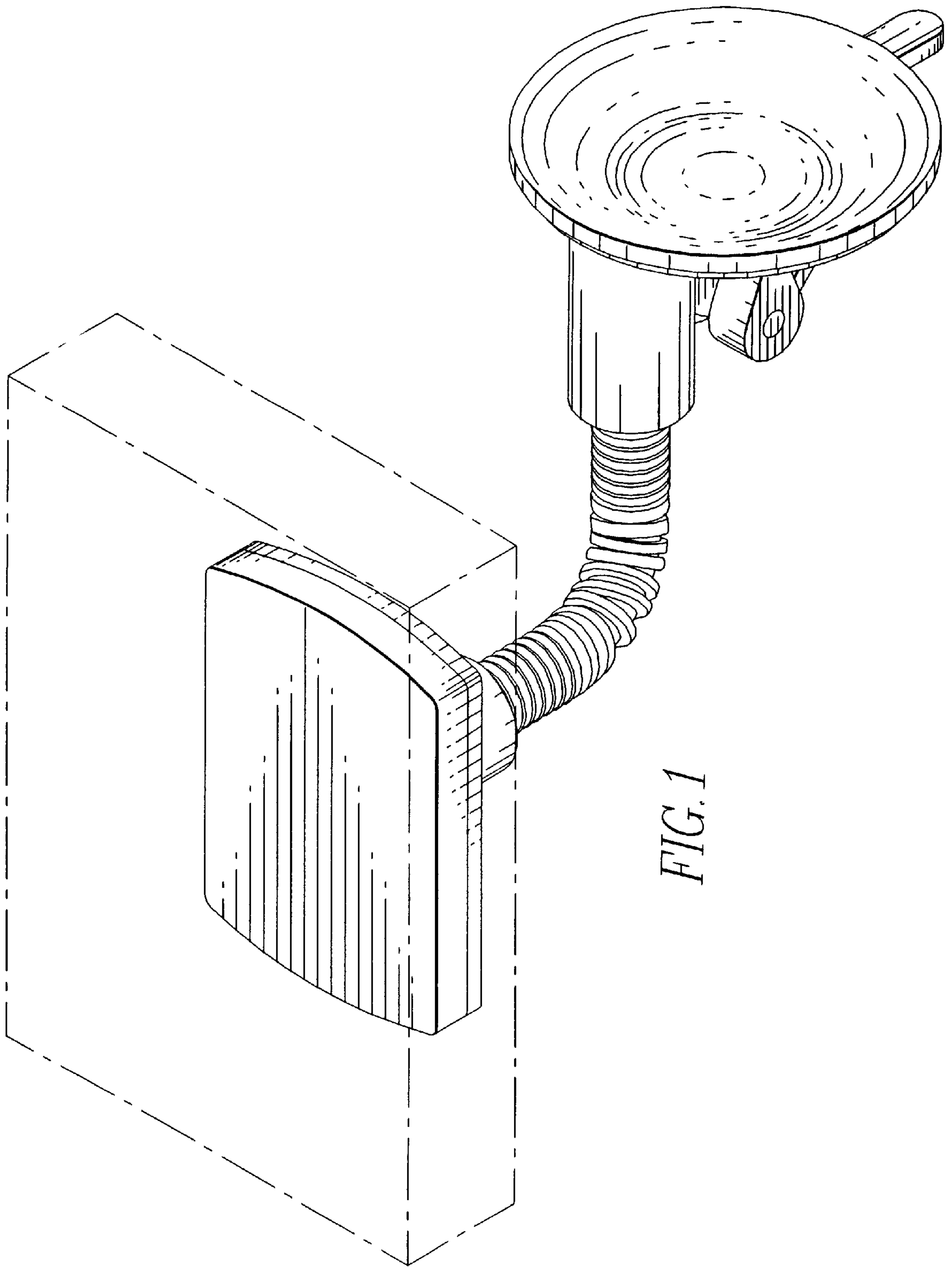


FIG. 1

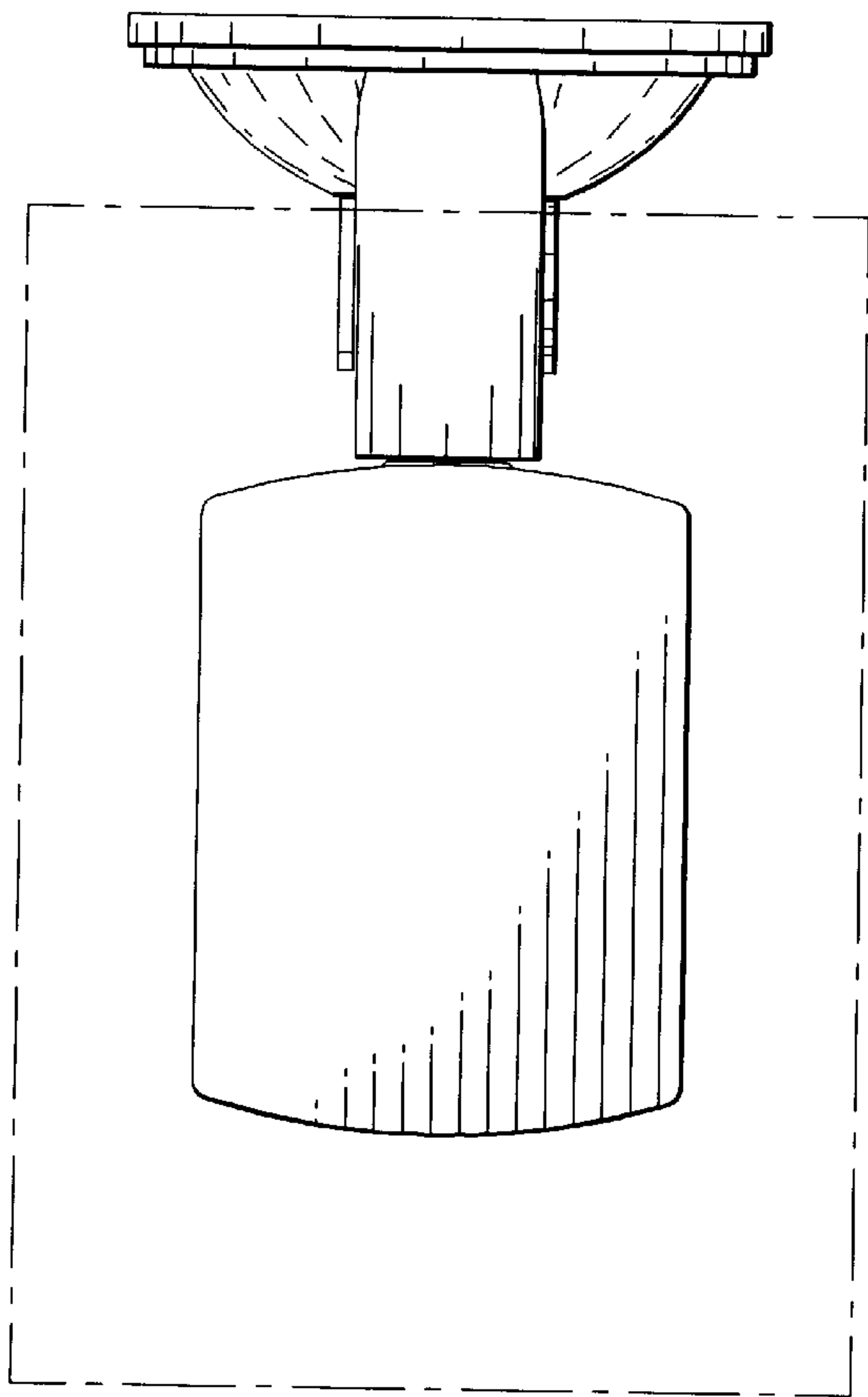


FIG. 2

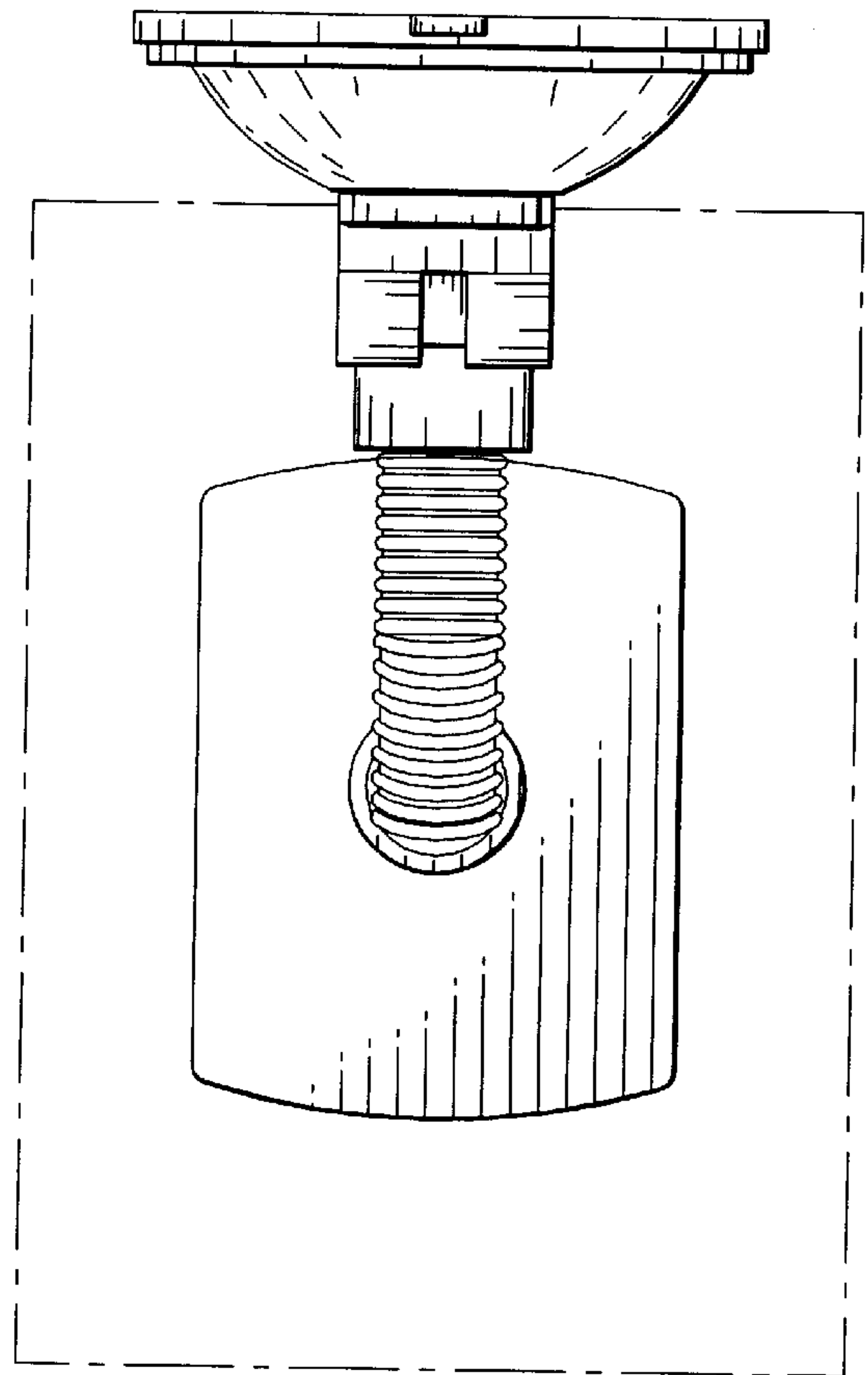


FIG. 3

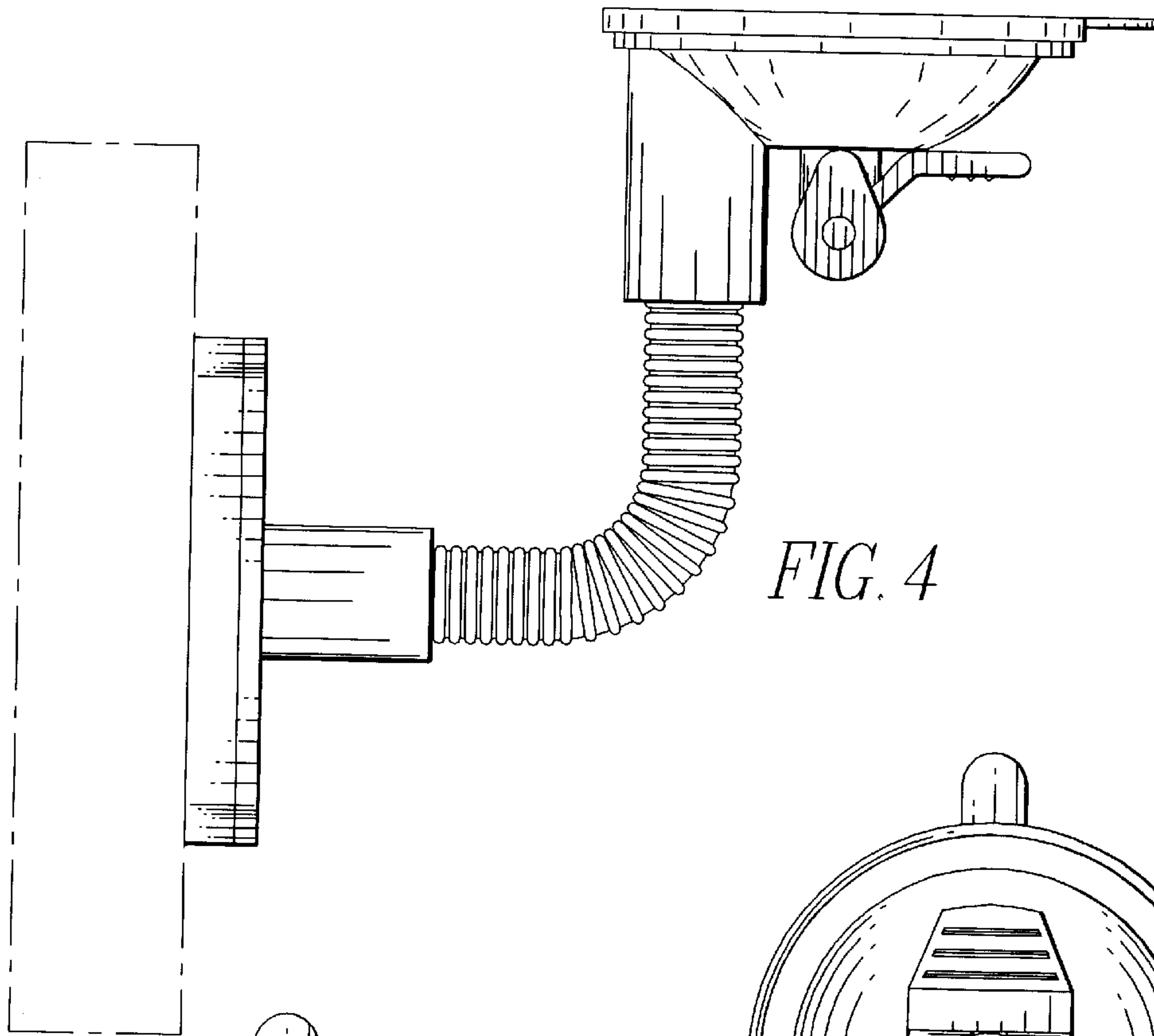


FIG. 4

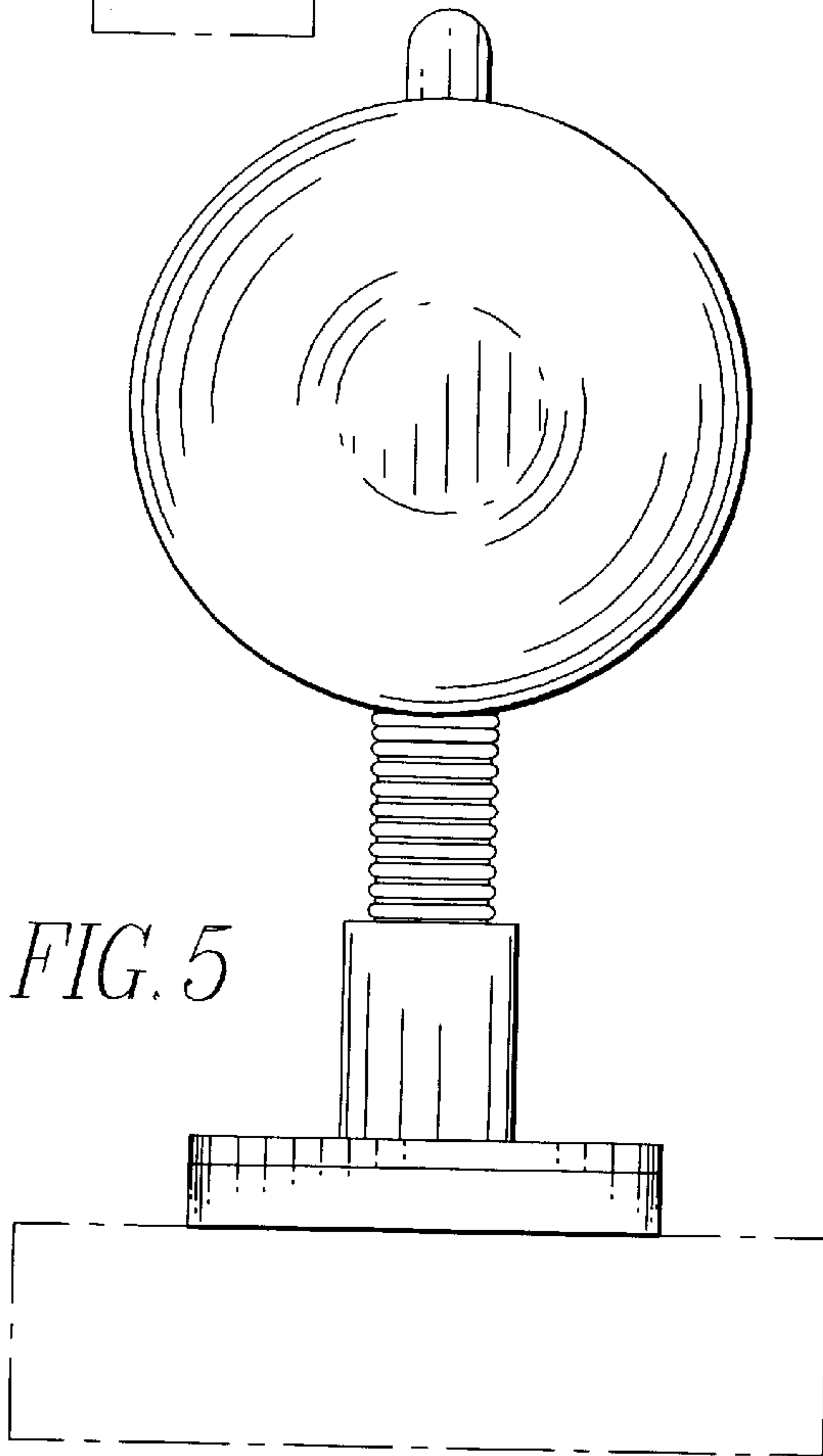


FIG. 5

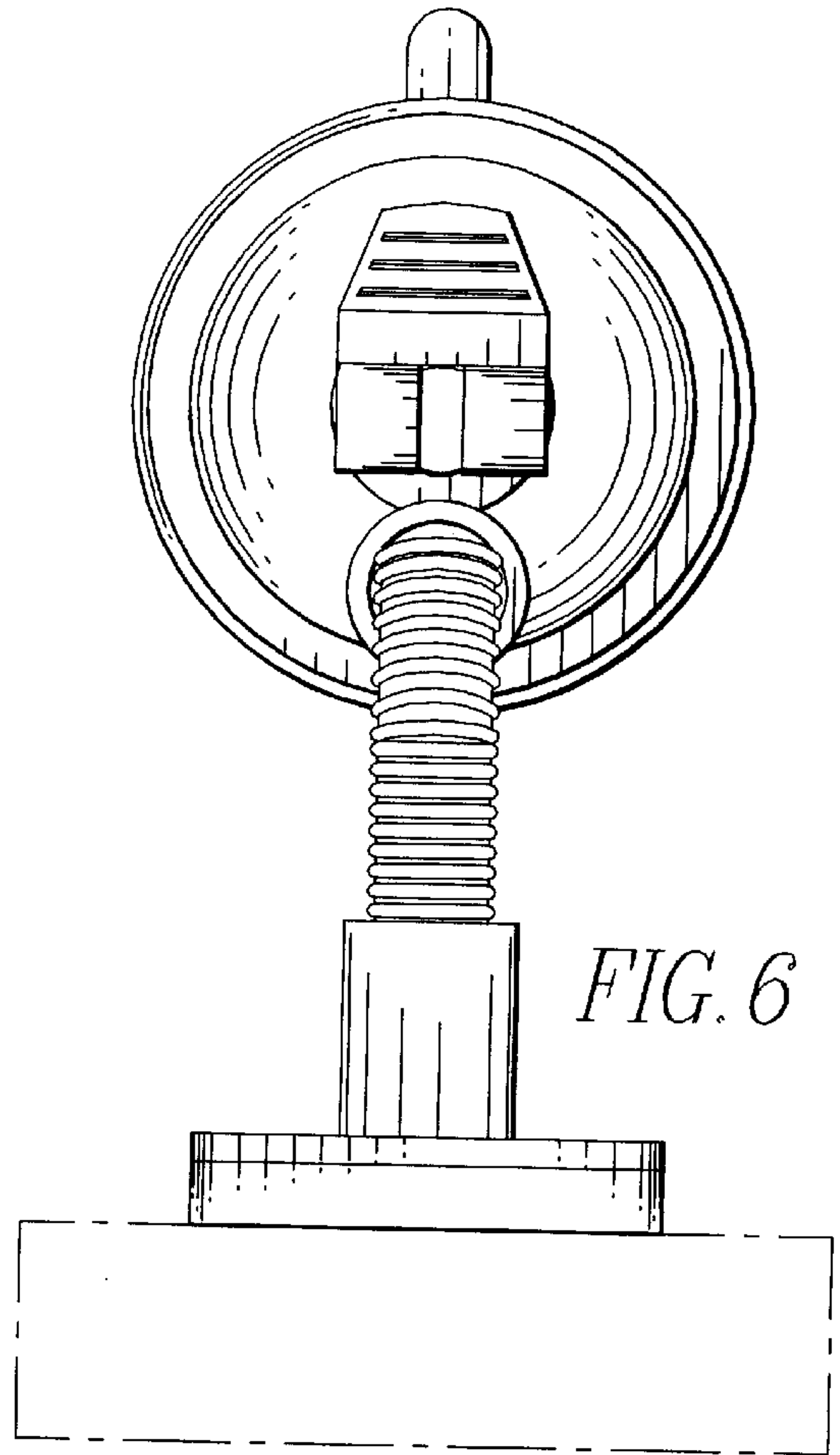


FIG. 6