



US00D410621S

United States Patent [19]
Hall

[11] **Patent Number: Des. 410,621**
[45] **Date of Patent: ** Jun. 8, 1999**

[54] **FRONT STORAGE UNIT FOR A POP-UP CAMPER**

[75] Inventor: **Ron E. Hall**, Middlebury, Ind.

[73] Assignee: **Jayco, Inc.**, Middlebury, Ind.

[**] Term: **14 Years**

[21] Appl. No.: **29/077,068**

[22] Filed: **Sep. 25, 1997**

[51] **LOC (6) Cl.** **12-16**

[52] **U.S. Cl.** **D12/423; D12/102**

[58] **Field of Search** **D12/423, 424, D12/102; 224/401-404; 280/901; 276/37.6, 57.1**

[56] **References Cited**

U.S. PATENT DOCUMENTS

D. 387,327	12/1997	Ethridge	D12/423
5,314,101	5/1994	White	224/401
5,573,162	11/1996	Spencer et al.	224/401
5,713,500	2/1998	Jugerson et al.	D12/423

Primary Examiner—Melody N. Brown

Attorney, Agent, or Firm—Baker & Daniels

[57] **CLAIM**

The ornamental design for a front storage unit for a pop-up camper, as shown and described.

DESCRIPTION

FIG. 1 is a perspective view of a front storage unit for a pop-up camper illustrating my new design and shown installed on the front portion of a pop-up camper; the broken lines are for environmental purposes only and form no part of the claimed design;

FIG. 2 is an enlarge view in perspective of the front storage unit for a pop-up camper shown in FIG. 1;

FIG. 3 is a top plan view of the front storage unit for a pop-up camper shown in FIGS. 1 and 2;

FIG. 4 is a front elevational view thereof;

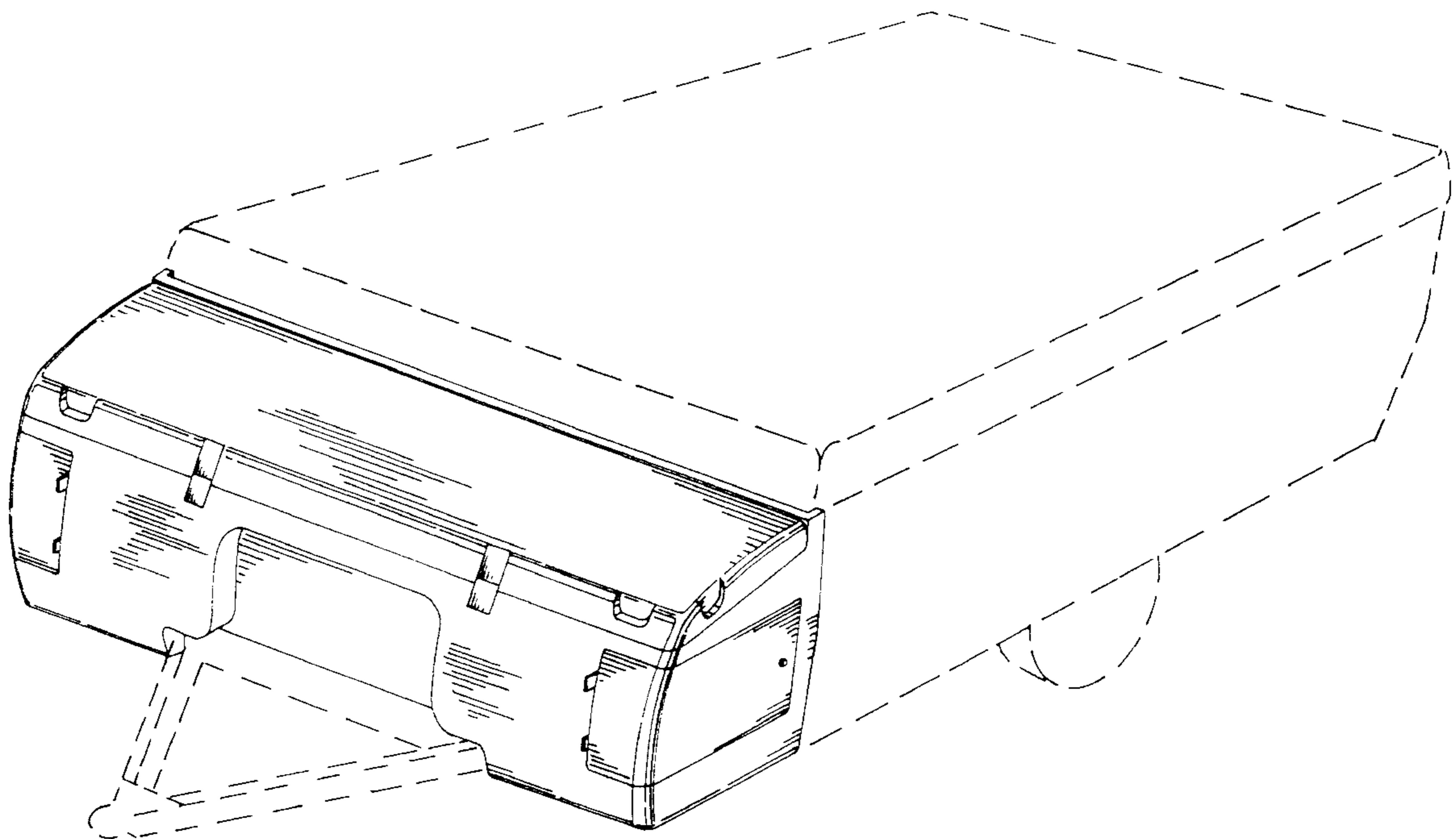
FIG. 5 is a right side elevational view of the front storage unit for a pop-up camper shown in FIGS. 1 through 4;

FIG. 6 is a left side elevational view thereof; and,

FIG. 7 is an enlarge perspective view of the front storage unit for a pop-up camper with the side doors in an open position.

The bottom and rear sides are substantially unornamented.

1 Claim, 4 Drawing Sheets



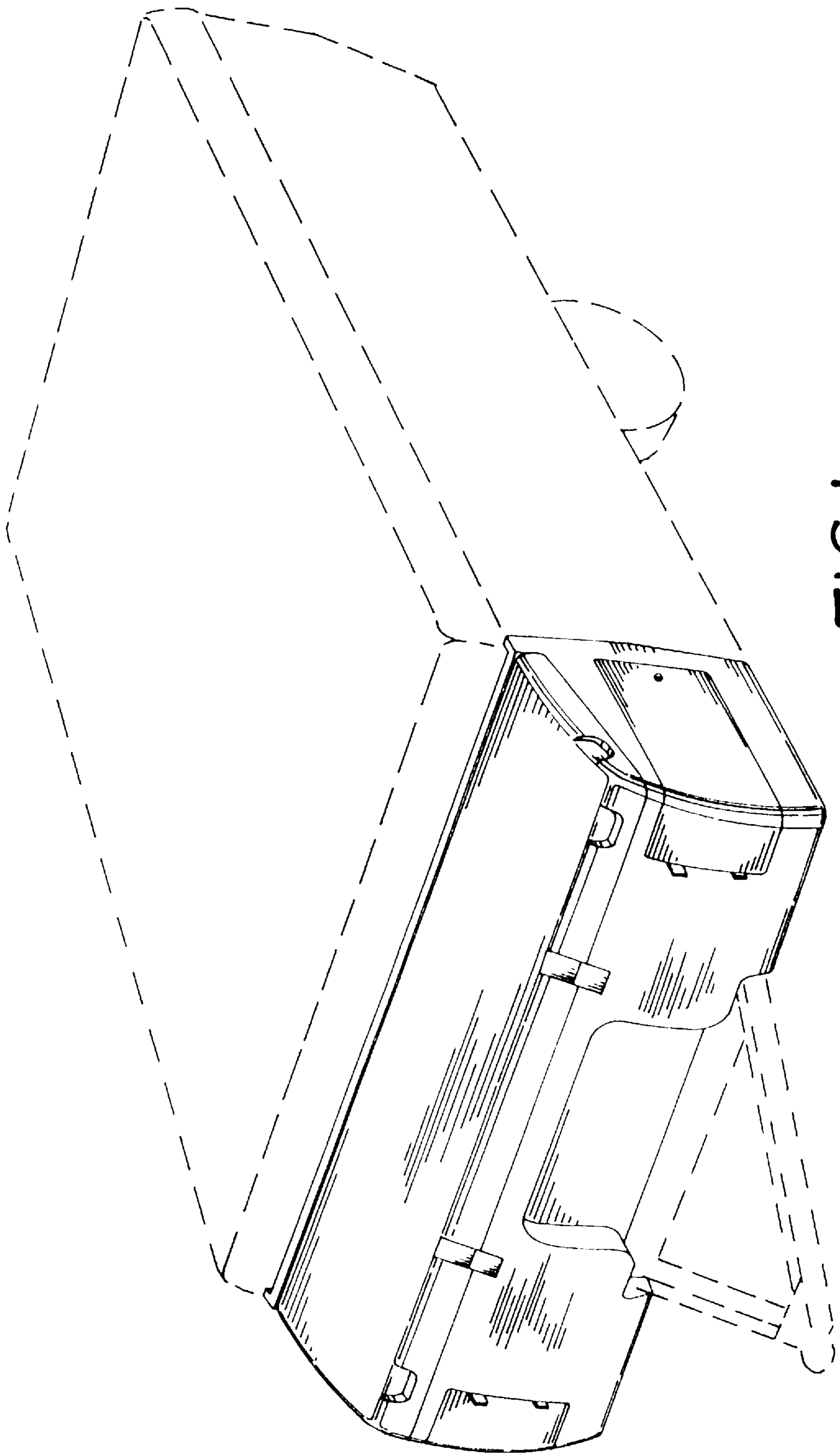


FIG. 1

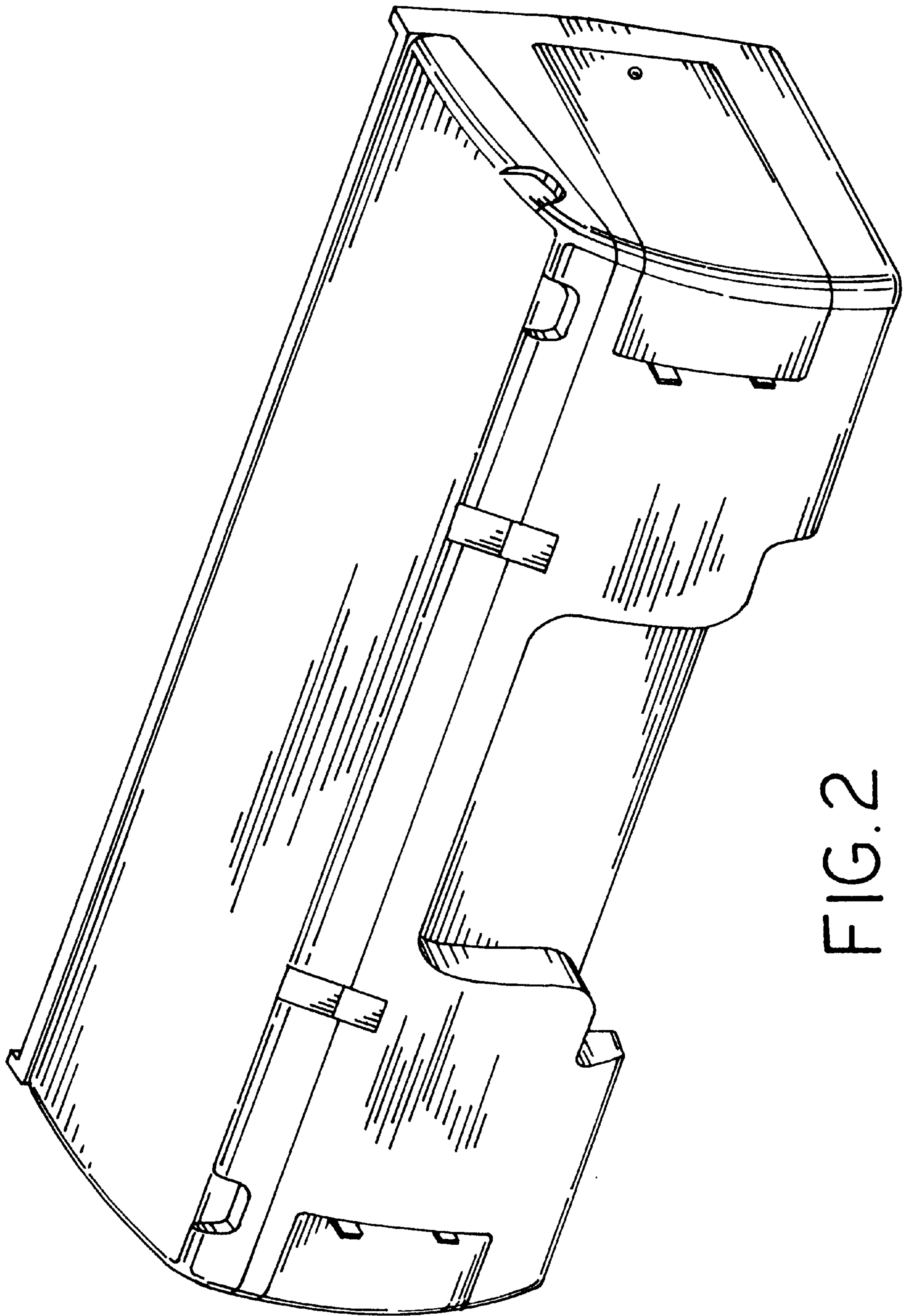


FIG. 2

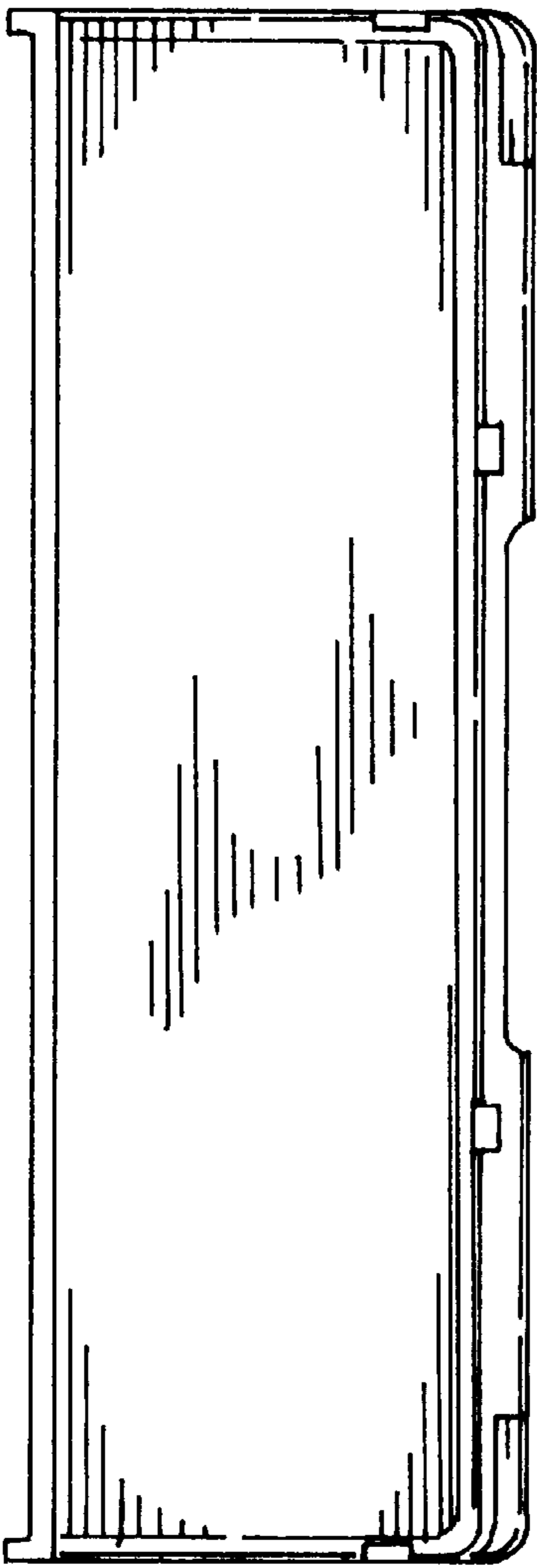


FIG. 3

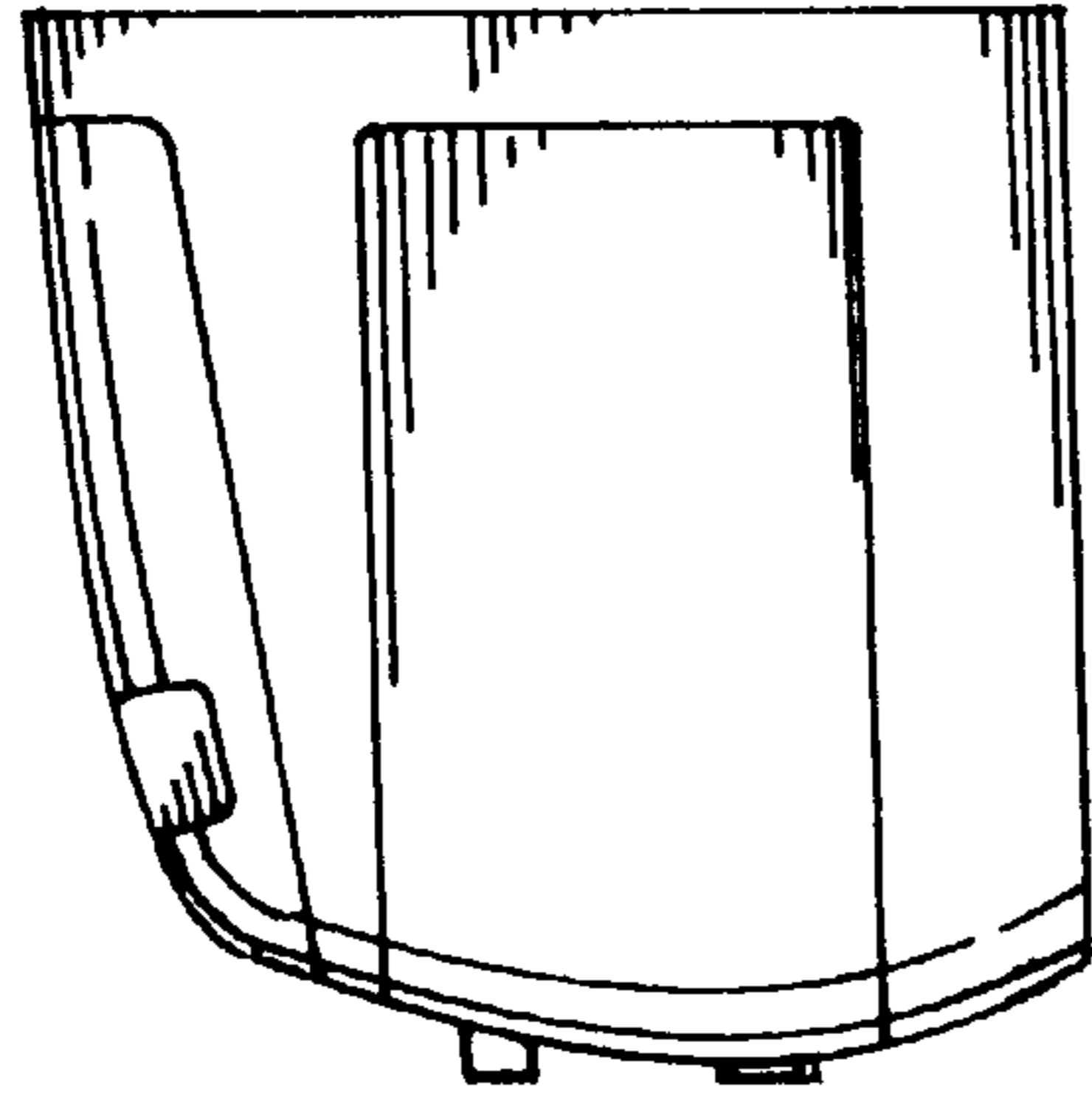


FIG. 5

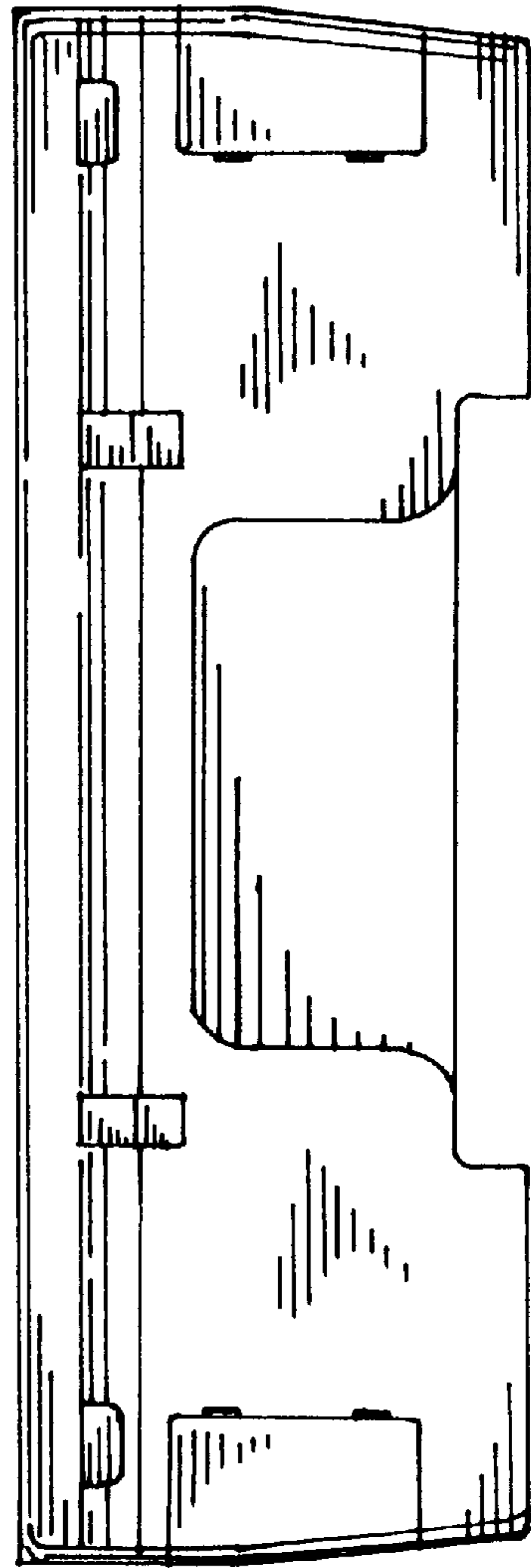


FIG. 4

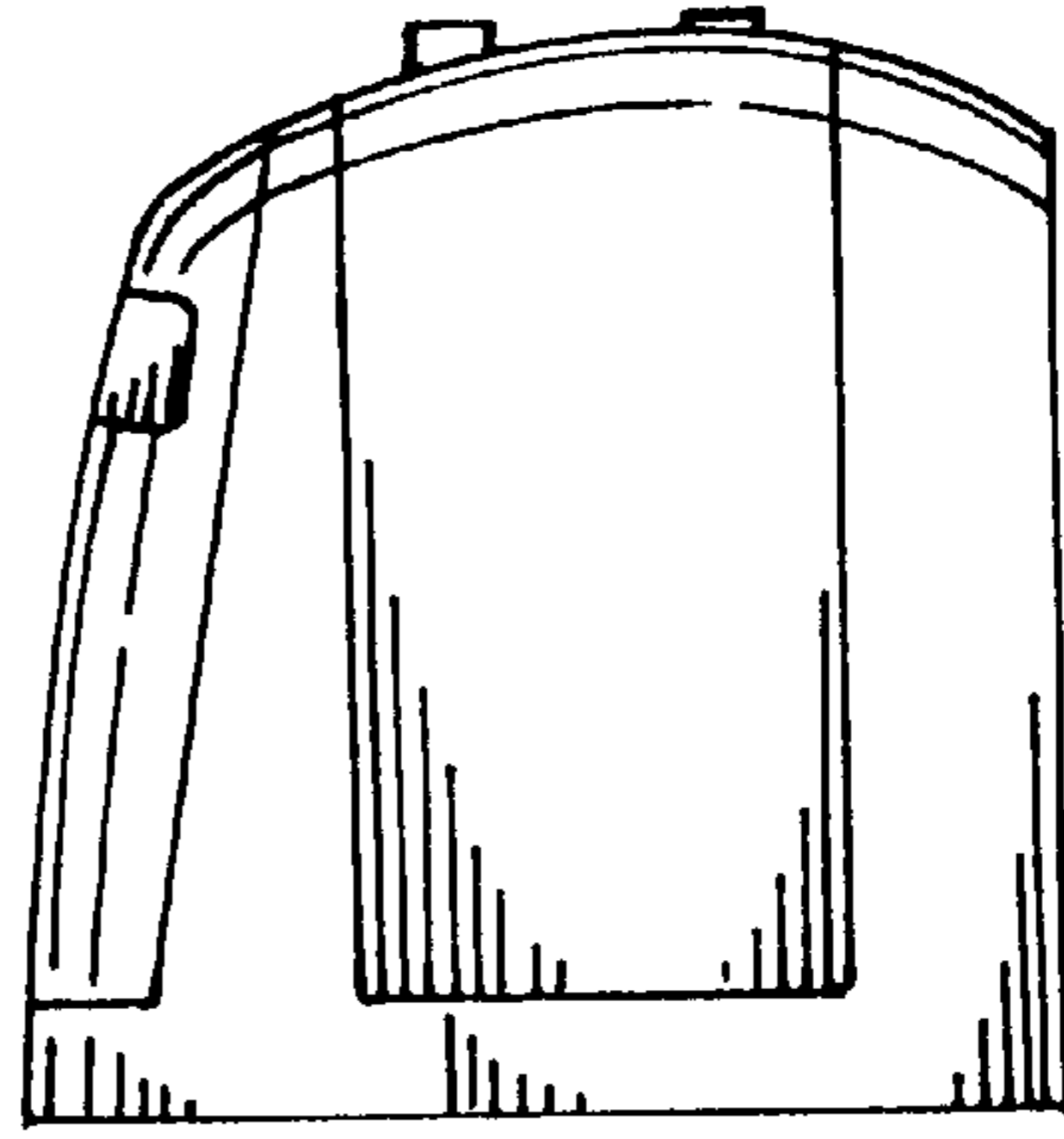


FIG. 6

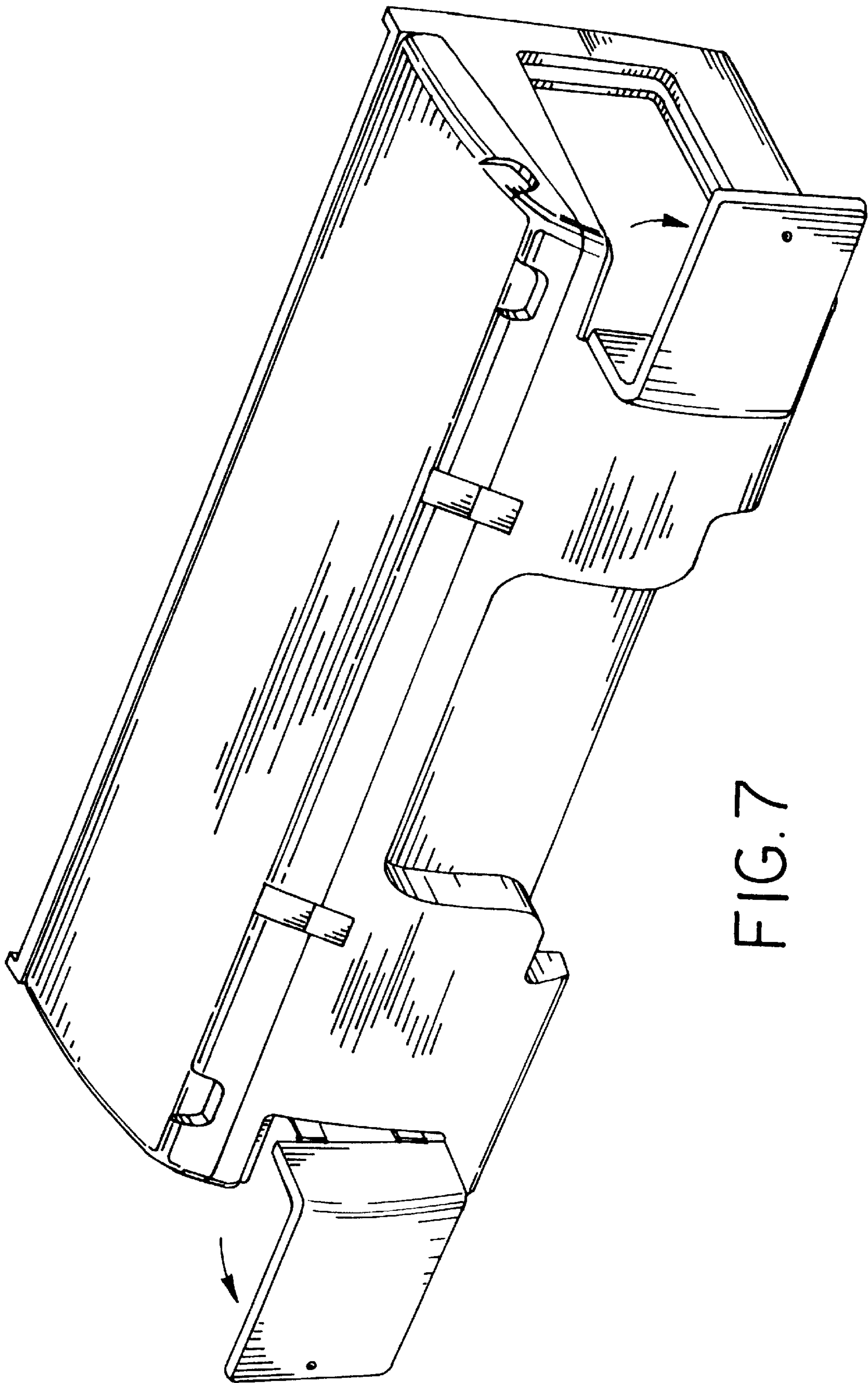


FIG. 7