



US00D410620S

# United States Patent [19]

[11] **Patent Number: Des. 410,620**

**Sacco et al.**

[45] **Date of Patent: \*\* Jun. 8, 1999**

[54] **PORTABLE OFFICE ASSEMBLY WITH BRIEFCASE HOLDER**

*Attorney, Agent, or Firm*—Evenson, McKeown, Edwards & Lenahan, PLLC

[75] Inventors: **Bruno Sacco**, Sindelfingen; **Peter Pfeiffer**, Boeblingen; **Michael Mauer**, Ettlingen; **Claudia Berger-Diebold**, Pforzheim, all of Germany

[57] **CLAIM**

The ornamental design for a portable office assembly with briefcase holder, as shown and described.

[73] Assignee: **Daimler-Benz Aktiengesellschaft**, Stuttgart, Germany

**DESCRIPTION**

[\*\*] Term: **14 Years**

[21] Appl. No.: **29/080,731**

[22] Filed: **Dec. 15, 1997**

[30] **Foreign Application Priority Data**

Jun. 14, 1997 [DE] Germany ..... 97 05 493

[51] **LOC (6) Cl.** ..... **12-16**

[52] **U.S. Cl.** ..... **D12/415; D12/423; D19/75**

[58] **Field of Search** ..... D12/415, 421, D12/423-426.1; D19/75, 65; D3/273, 293, 294, 905, 201; D6/432, 436, 449, 457, 458, 466, 487; 296/37.1, 37.8, 37.12-37.16

FIG. 1 is a view depicting the top, front side and left side views, with briefcase holder extended of portable office assembly with briefcase holder according to our novel design;

FIG. 2 is a reduced view depicting the top, right side, and partial view of the front side with the briefcase holder extended of a portable office assembly with briefcase holder according to our novel design;

FIG. 3 is a side view from the front of a portable office assembly with briefcase holder according to our novel design;

FIG. 4 is a side view from the right with briefcase holder extended of a portable office assembly with briefcase holder according to our novel design;

FIG. 5 is a side view from the left of a portable office assembly with briefcase holder according to our novel design;

FIG. 6 is a side view from the rear of a portable office assembly with briefcase holder according to our novel design;

FIG. 7 is a view from the top with briefcase holder extended of a portable office assembly with briefcase holder according to our novel design; and,

FIG. 8 is a view from the bottom of a portable office assembly with briefcase holder according to our novel design.

The dash line showing depicts environment and is not part of the claimed design.

[56] **References Cited**

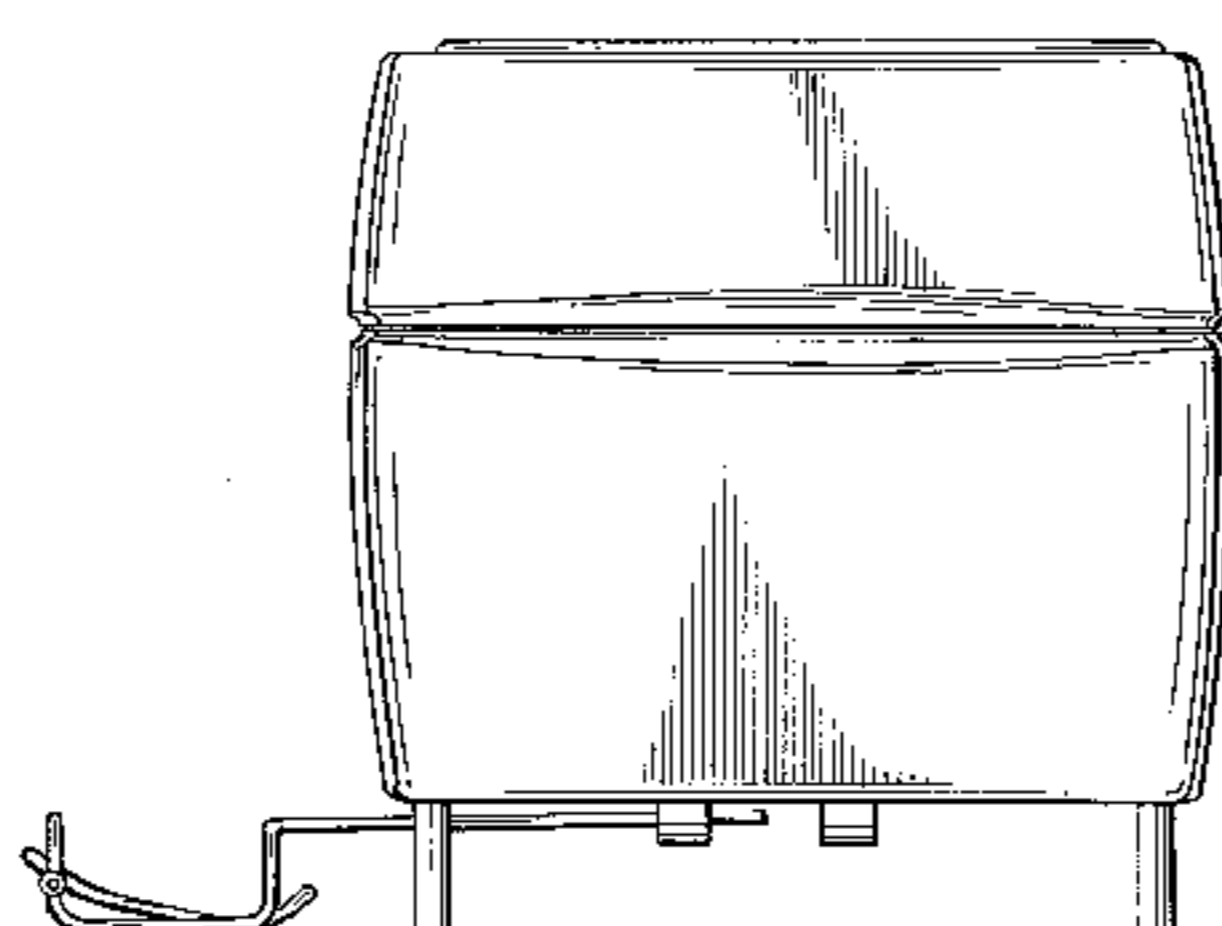
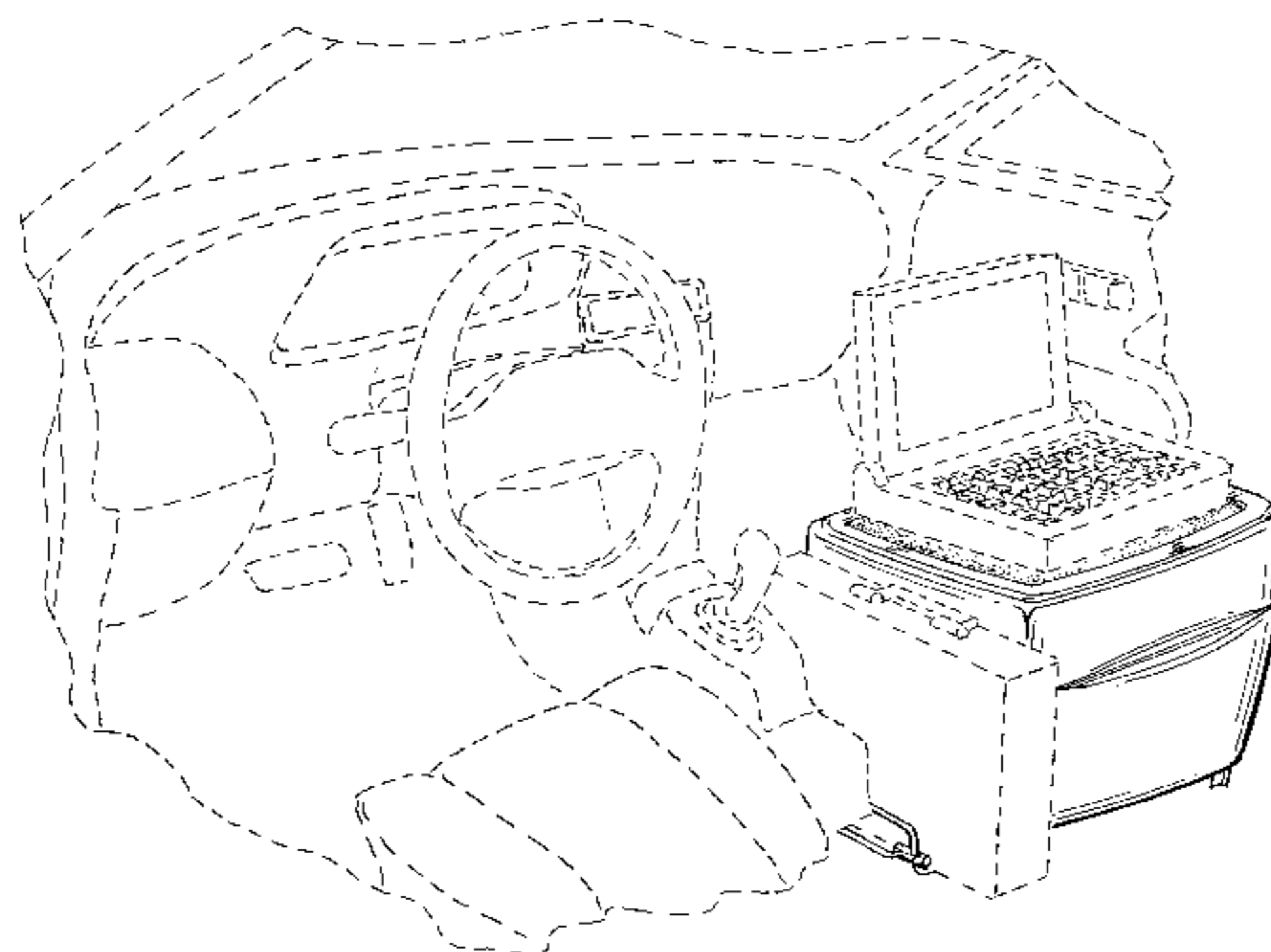
**U.S. PATENT DOCUMENTS**

D. 313,817	1/1991	Thomas	.....	D19/75
D. 332,527	1/1993	Szablak et al.	.....	D12/415 X
D. 345,648	4/1994	Favilla	.....	D12/421
D. 358,124	5/1995	Landry	.....	D12/423
D. 360,869	8/1995	Brackett	.....	D12/423
D. 368,890	4/1996	Morris	.....	D12/419
D. 379,084	5/1997	Hellhake et al.	.....	D12/424
D. 390,265	2/1998	Cheris et al.	.....	D19/75
D. 397,083	8/1998	Smith	.....	D12/419
5,007,569	4/1991	Zarb	.....	224/275

*Primary Examiner*—Doris V. Coles

*Assistant Examiner*—Stacia Sinuik

**1 Claim, 5 Drawing Sheets**



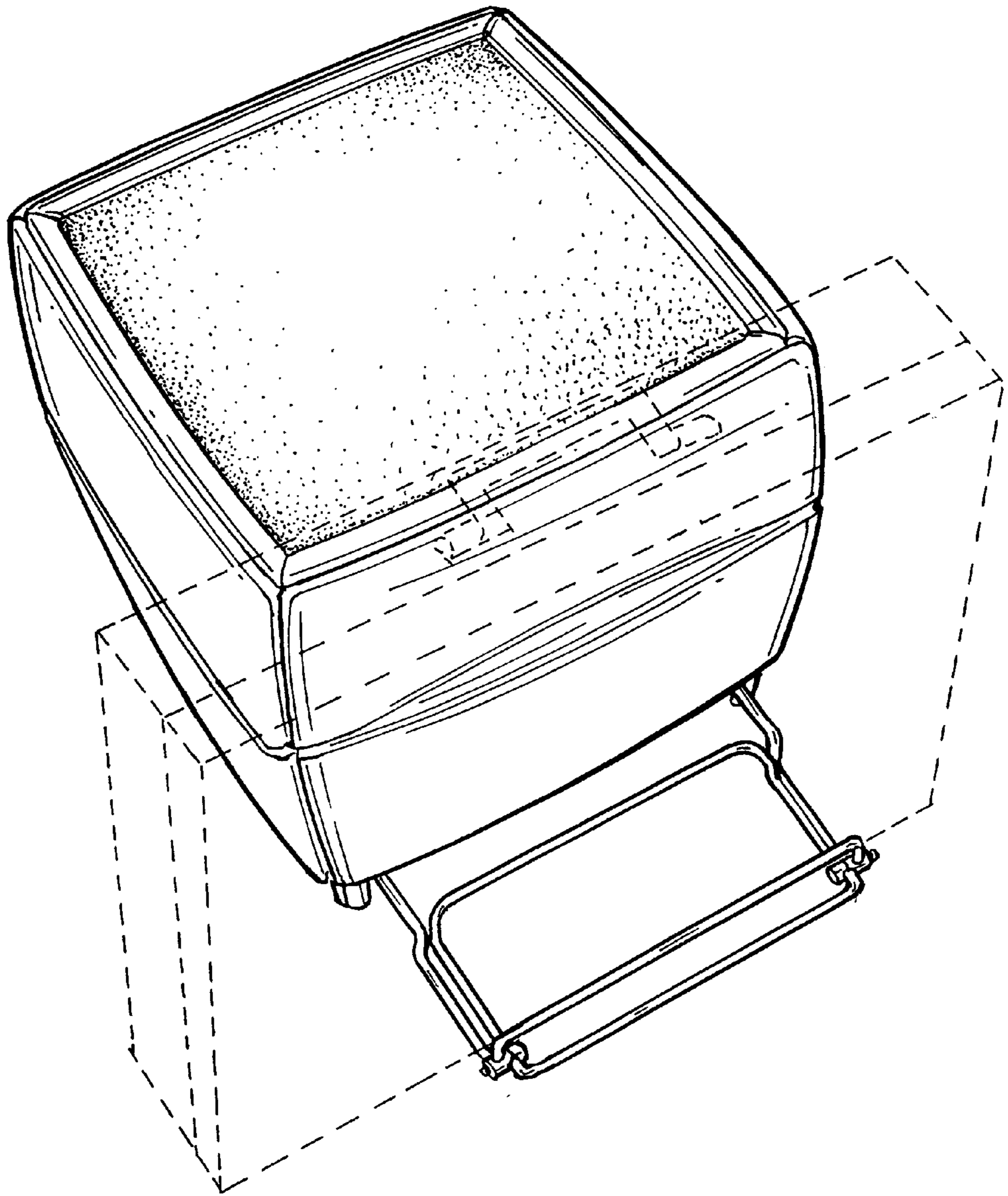


FIG. 1

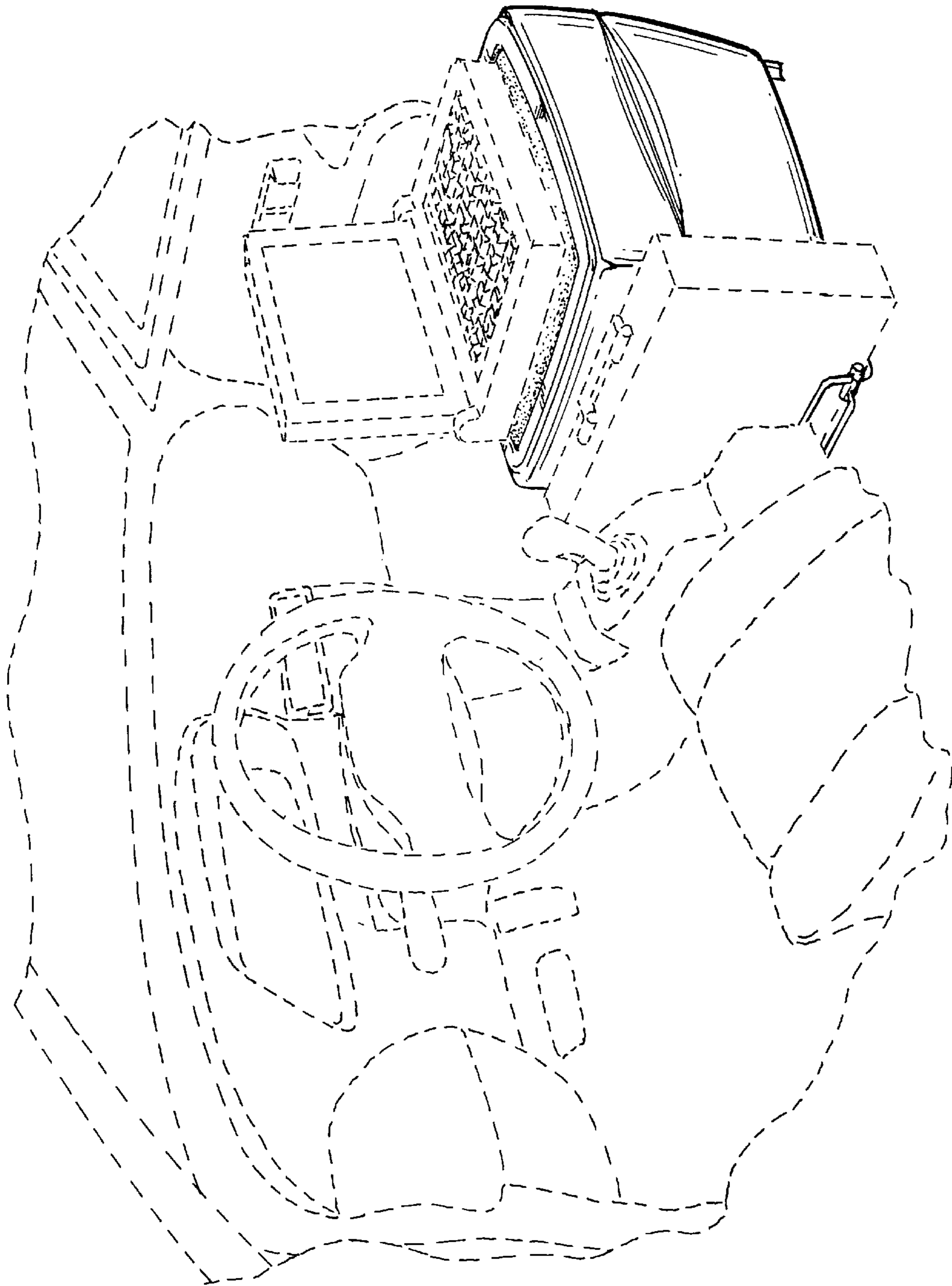


FIG. 2

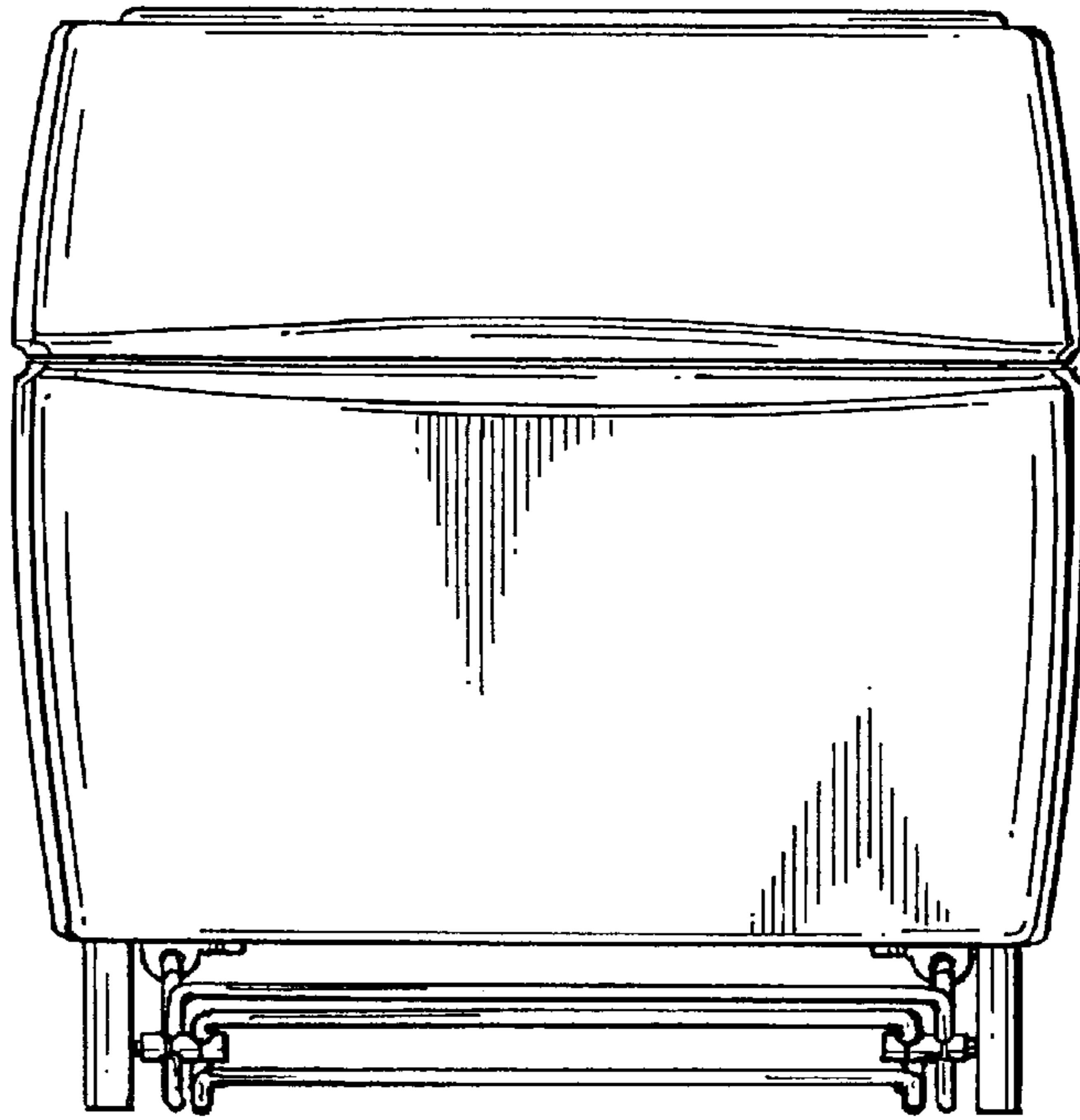


FIG. 3

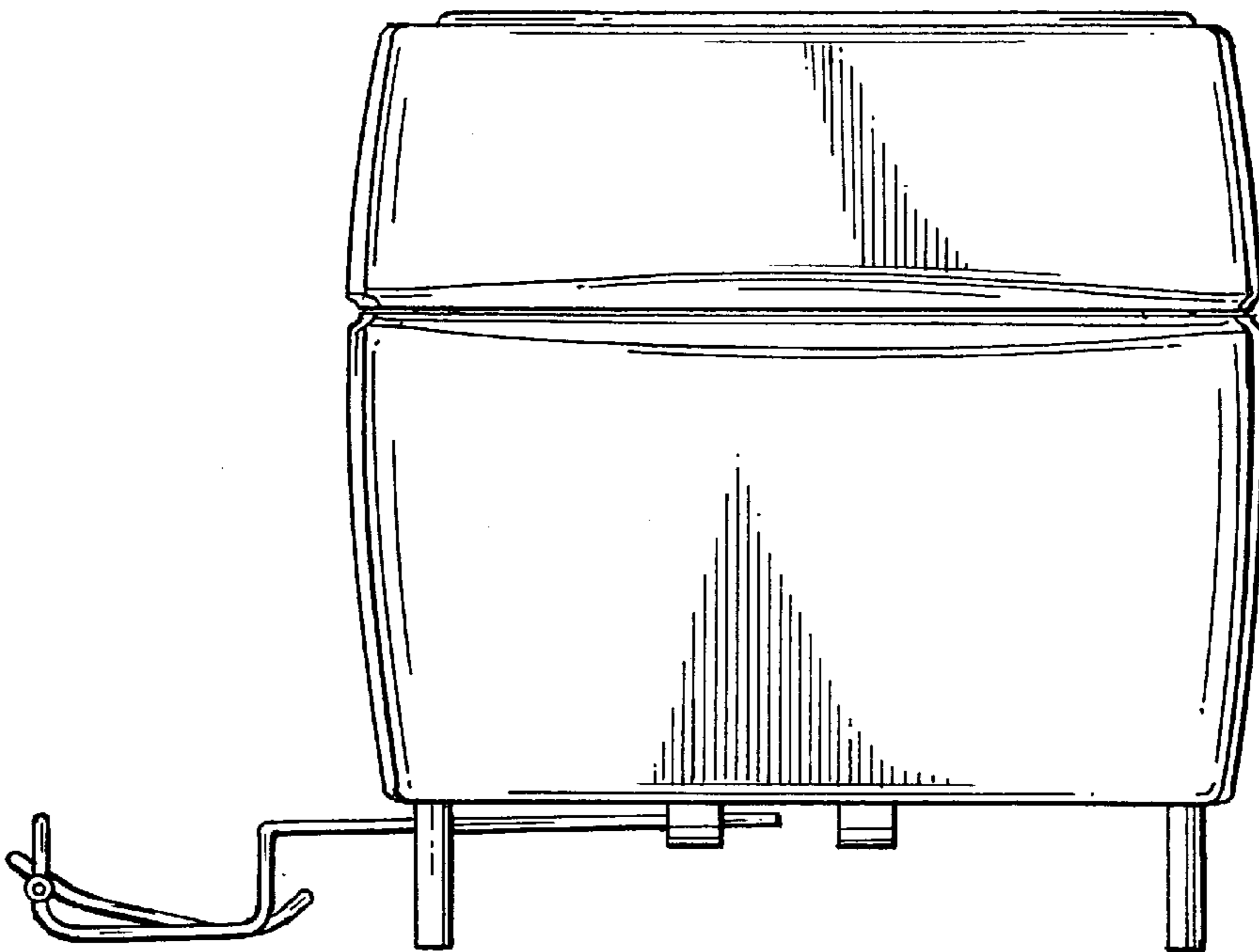


FIG. 4

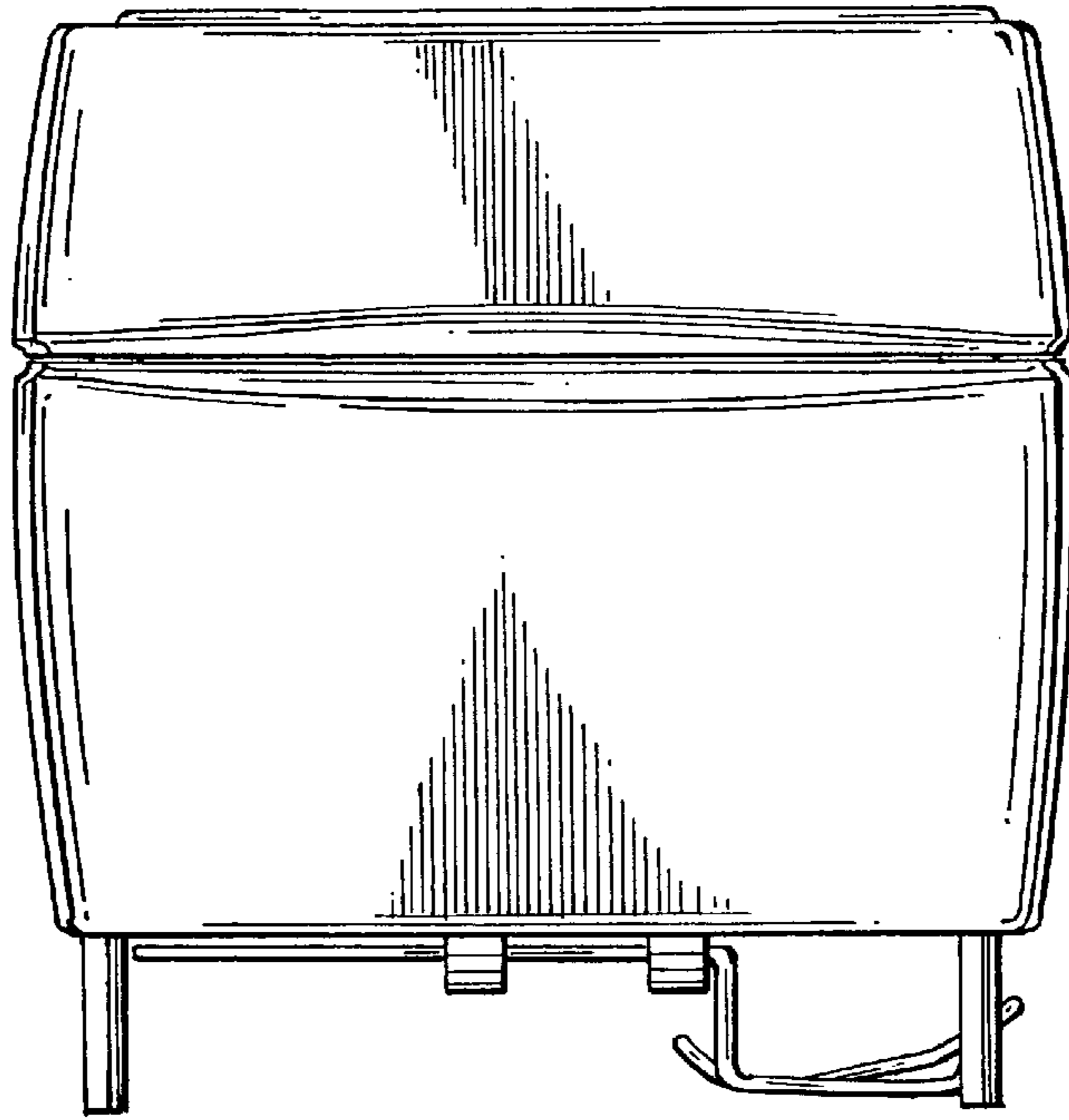


FIG. 5

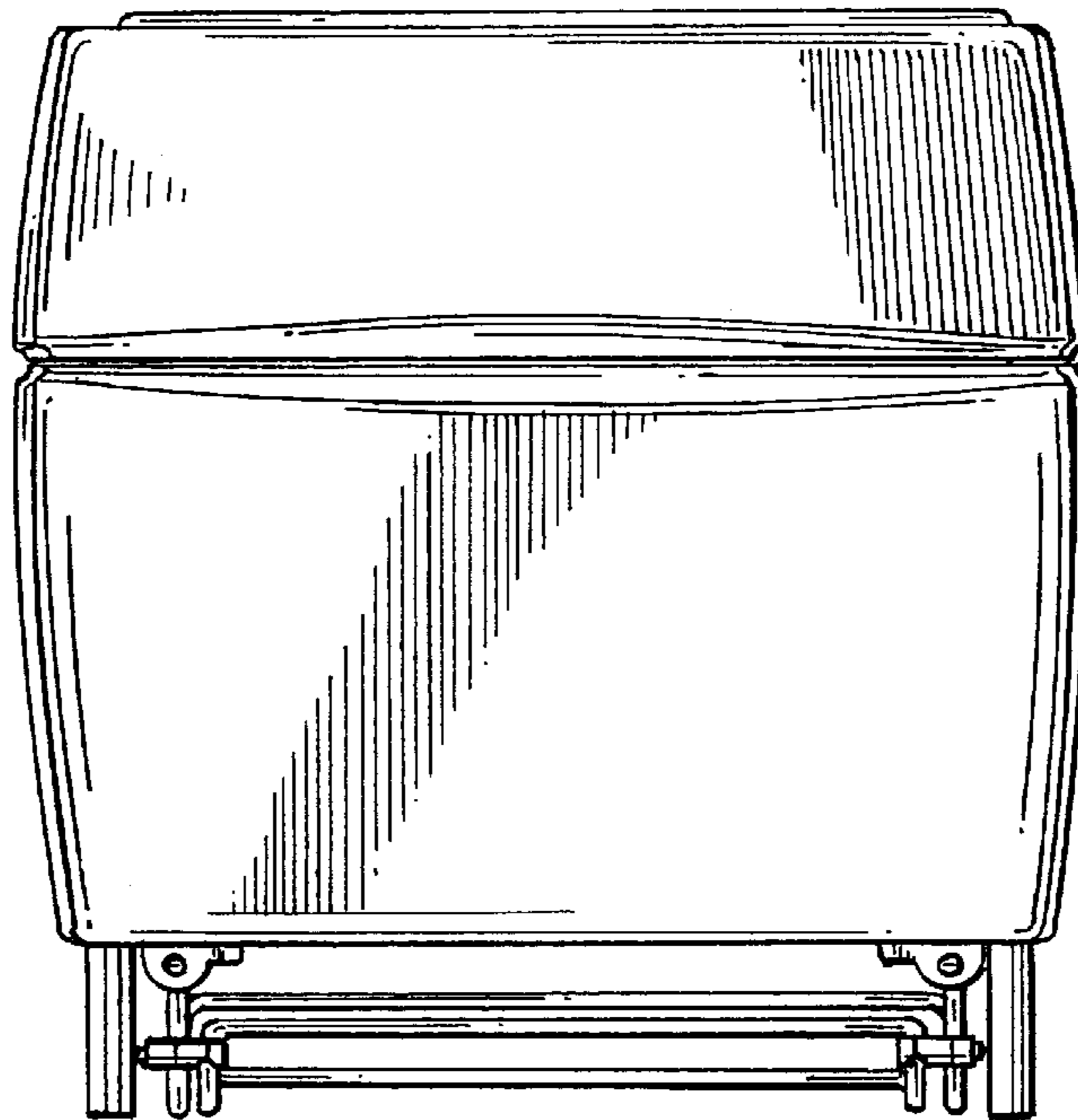


FIG. 6

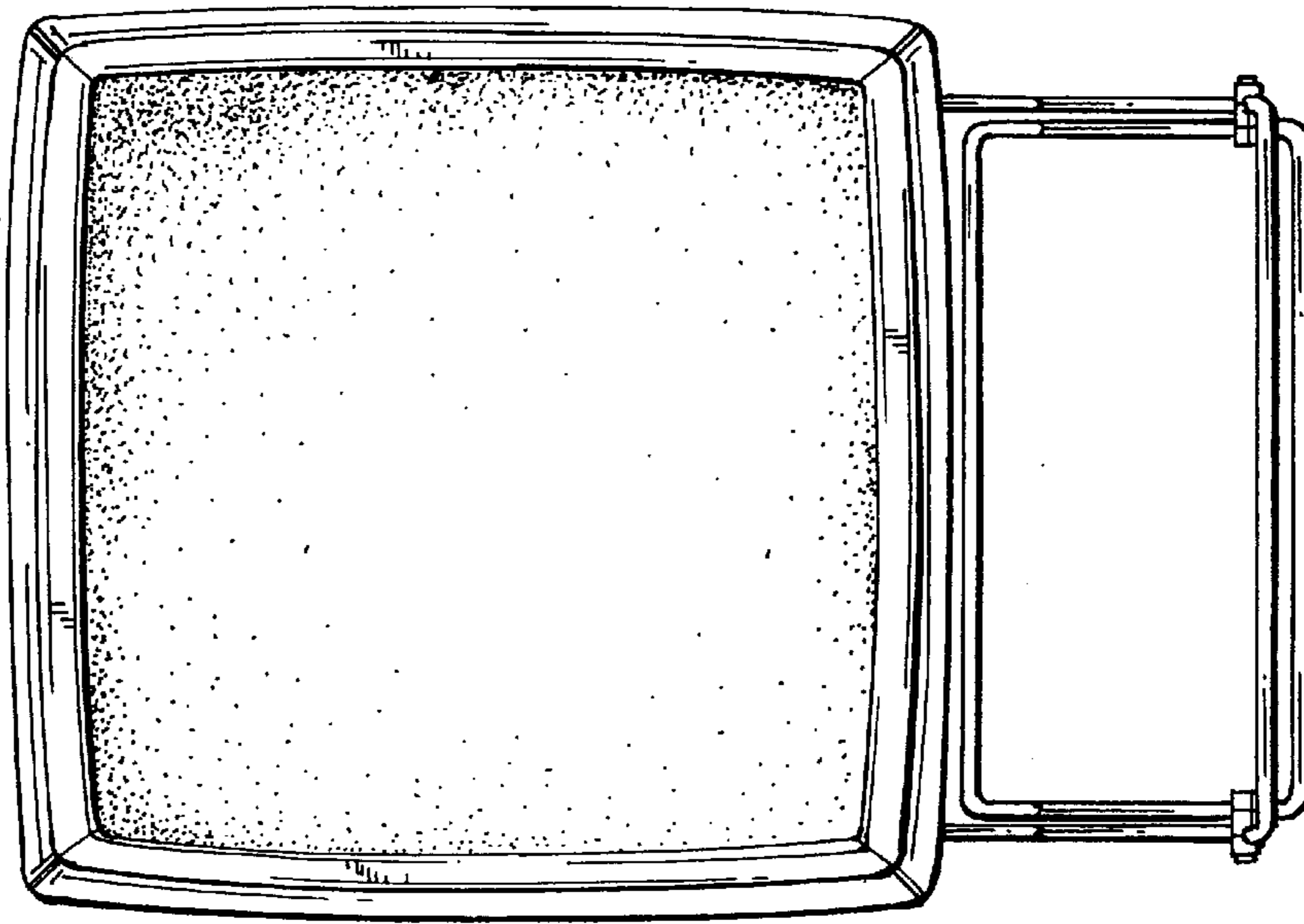


FIG. 7

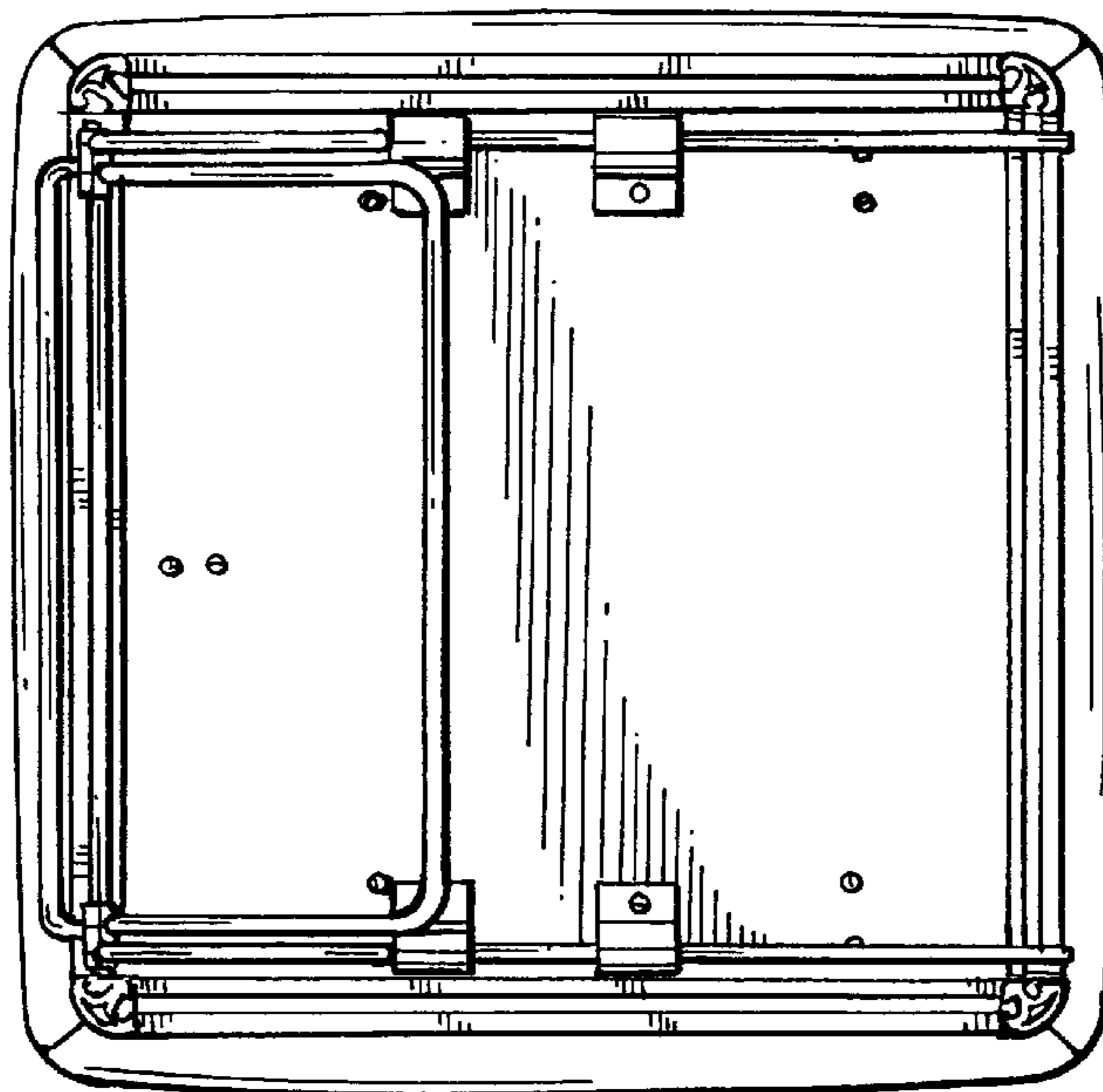


FIG. 8