



US00D410612S

United States Patent [19]
Payne

[11] **Patent Number: Des. 410,612**
[45] **Date of Patent: ** Jun. 8, 1999**

- [54] **BACKLIGHTED TRAILER STEP**
- [75] Inventor: **James M. Payne**, Willow Springs, Mo.
- [73] Assignee: **EZ Loader Boat Trailers, Inc.**,
Spokane, Wash.
- [**] Term: **14 Years**
- [21] Appl. No.: **29/065,034**
- [22] Filed: **Jan. 17, 1997**
- [51] **LOC (6) Cl.** **12-16**
- [52] **U.S. Cl.** **D12/203; D12/101**
- [58] **Field of Search** **D12/203; 280/164.1,**
280/164.2, 163, 153.5

- [56] **References Cited**
- U.S. PATENT DOCUMENTS**
- D. 361,974 9/1995 Hornik D12/203
- D. 371,336 7/1996 Wilson D12/203
- 5,265,896 11/1993 Krovitz 280/163

Primary Examiner—Melody N. Brown

Attorney, Agent, or Firm—August E. Roehrig, Jr.

[57] **CLAIM**

The ornamental design for a backlighted trailer step, as shown and described.

DESCRIPTION

FIG. 1 is a front perspective view of a backlighted trailer step showing my new design, the trailer shown in broken lines is for illustrative purposes only and form no part of the claimed design;

FIG. 2 is a top plan view of the backlighted trailer step;

FIG. 3 is a bottom plan view of the backlighted trailer step illustrated in FIG. 2;

FIG. 4 is a front elevational view of the backlighted trailer step illustrated in FIG. 2;

FIG. 5 is a right side elevational view of the backlighted trailer step illustrated in FIG. 2; and,

FIG. 6 is a left side elevational view of the backlighted trailer step illustrated in FIG. 2.

The rear side of the backlighted trailer step illustrated in FIG. 2 is not seen when in use.

1 Claim, 2 Drawing Sheets

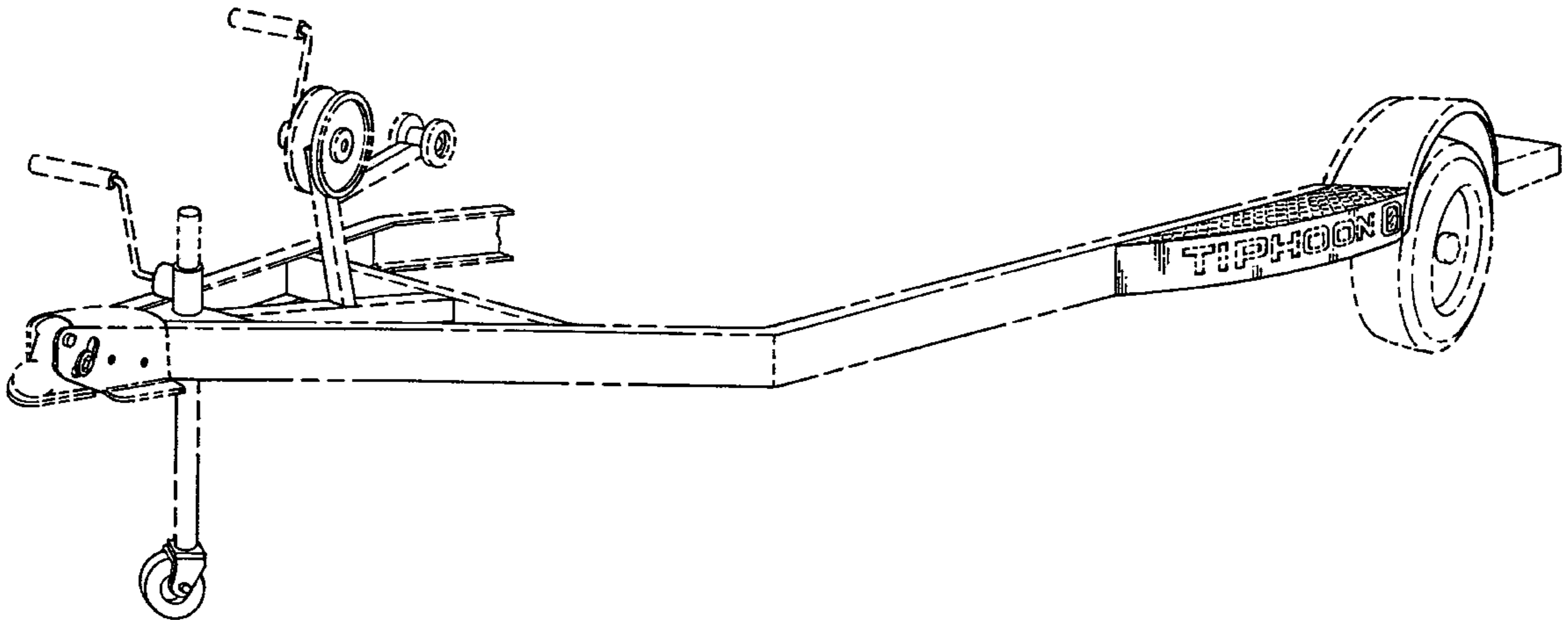
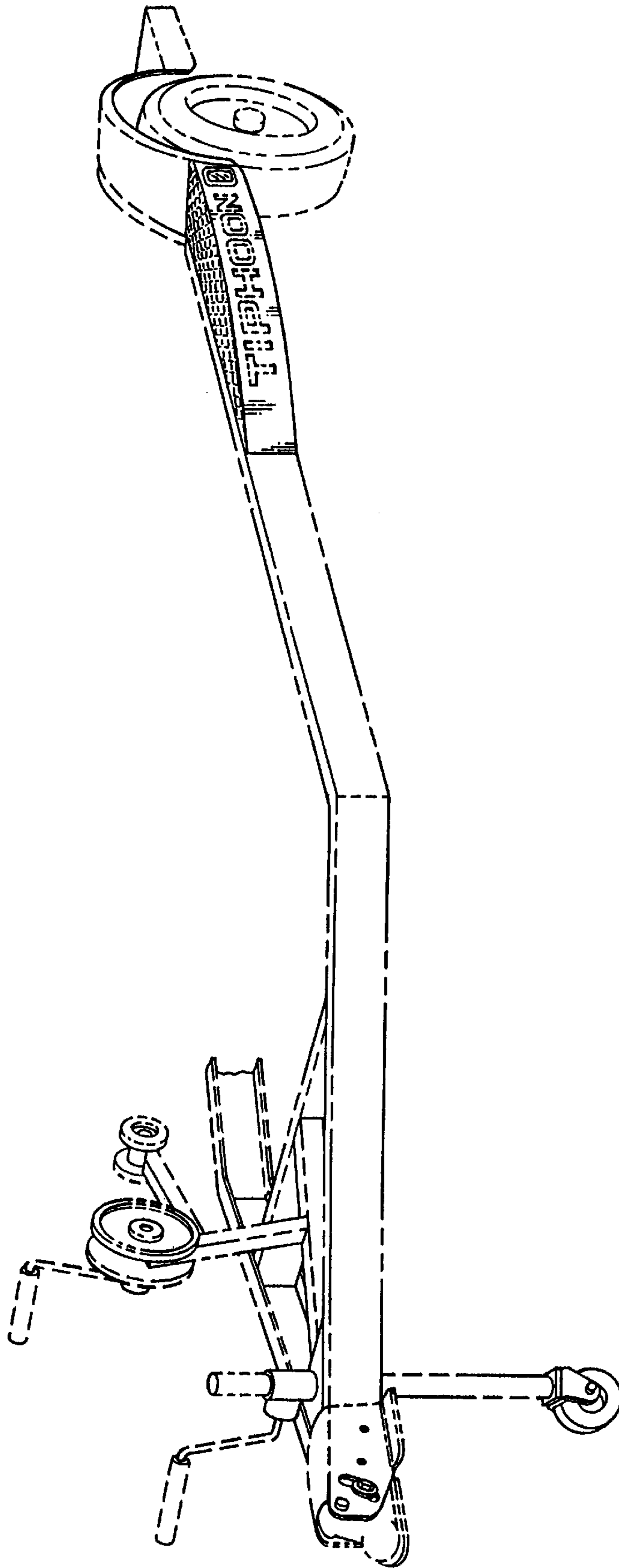


FIG. 1



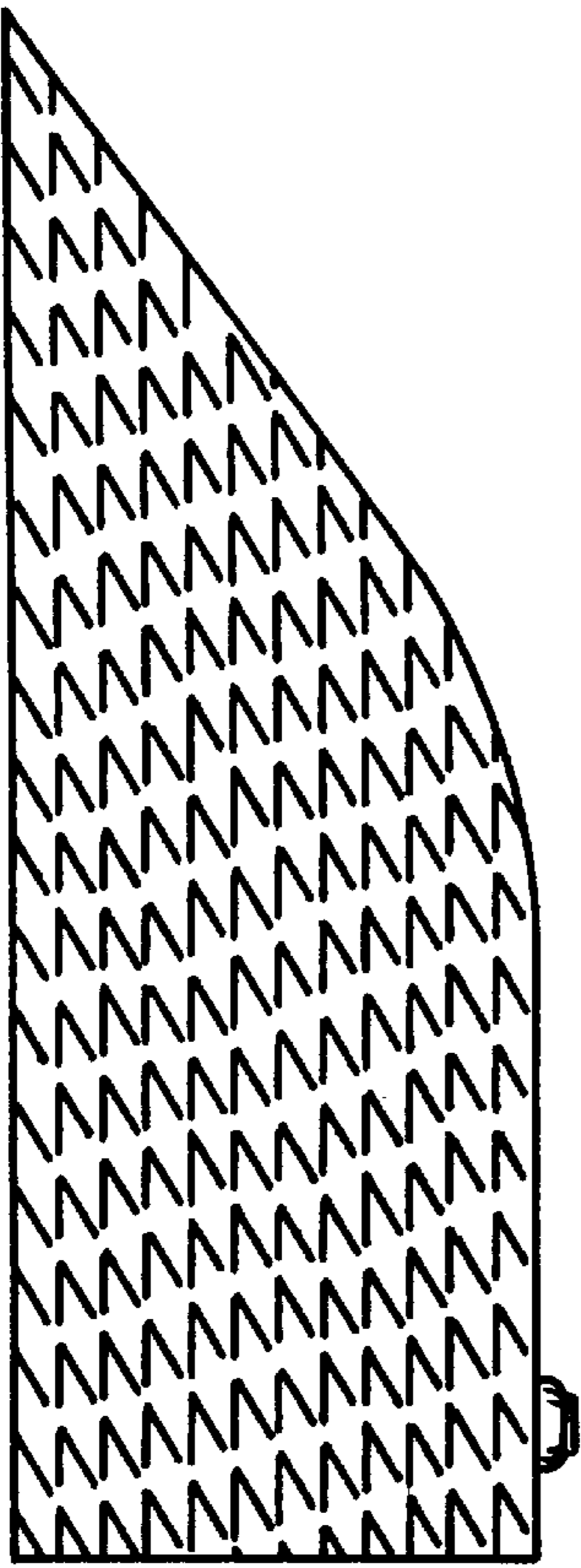


FIG. 2

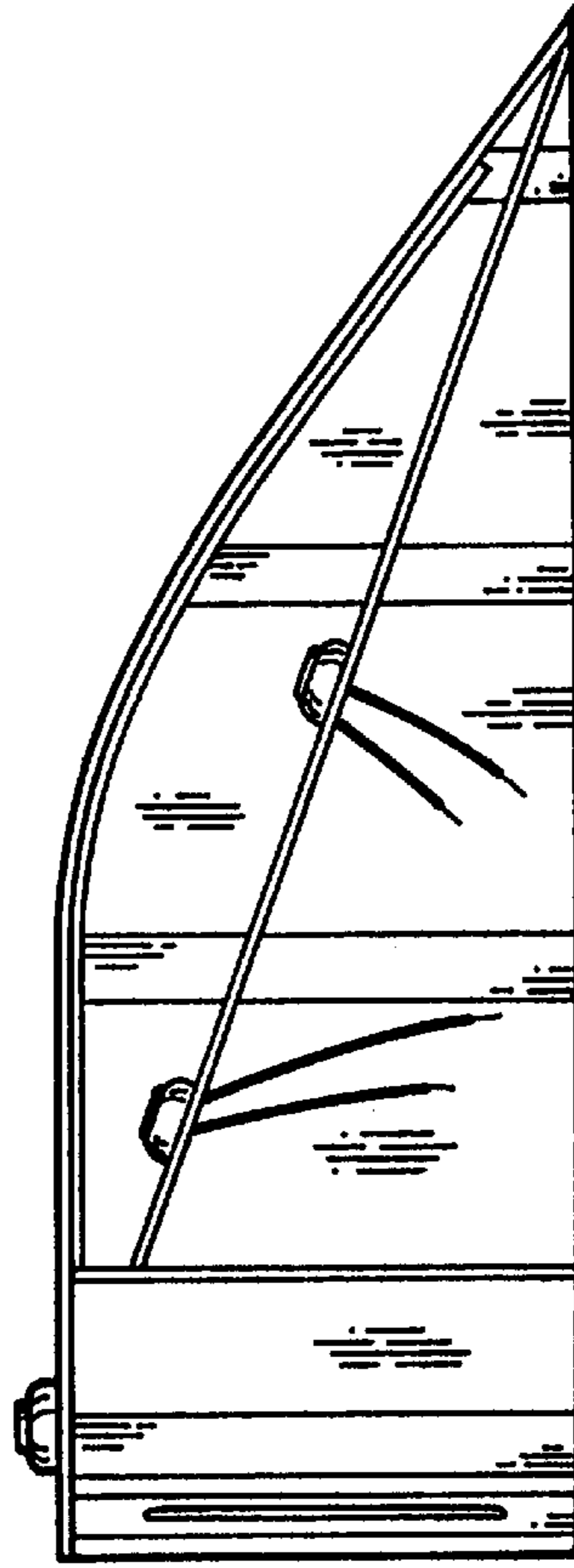


FIG. 3

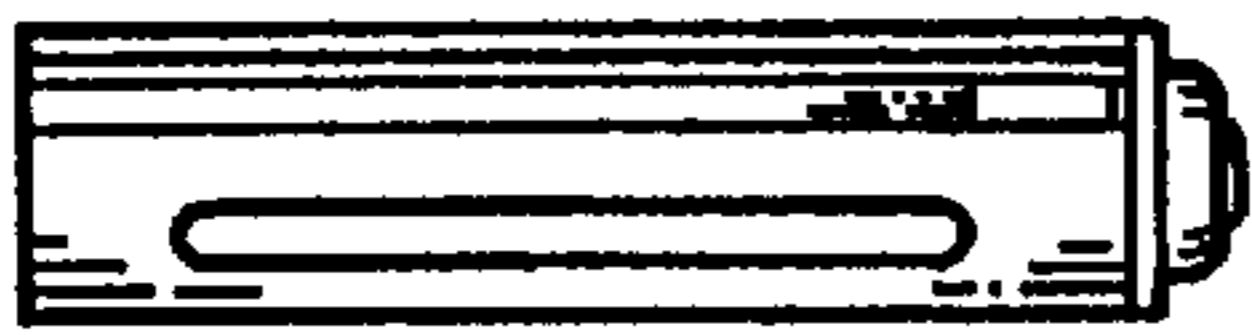


FIG. 6



FIG. 5



FIG. 4

UNITED STATES PATENT AND TRADEMARK OFFICE
CERTIFICATE OF CORRECTION

PATENT NO. : Des. 410,612
DATED : Jun. 8, 1999
INVENTOR(S) : James M. Payne

It is certified that error appears in the above-identified patent and that said Letters Patent is hereby corrected as shown below:

On the title page,

In the paragraph preceding the claim, please insert the following sentence:

"The name appearing on the Backlighted Trailer Step, "Tiphon," in broken lines is illustrative of a backlighted name appearing on the step in the position illustrated, but the particular name so illustrated forms no part of the claimed design."

Signed and Sealed this
Twelfth Day of October, 1999

Attest:



Q. TODD DICKINSON

Attesting Officer

Acting Commissioner of Patents and Trademarks