



US00D410607S

United States Patent [19] Carter

[11] **Patent Number: Des. 410,607**
[45] **Date of Patent: ** Jun. 8, 1999**

[54] **REARVIEW MIRROR WITH WOODGRAIN BEZEL**

[75] Inventor: **John W. Carter**, Ottawa County, Mich.

[73] Assignee: **Gentex Corporation**, Zeeland, Mich.

[**] Term: **14 Years**

[21] Appl. No.: **29/090,496**

[22] Filed: **Jul. 9, 1998**

[51] **LOC (6) Cl.** **12-16**

[52] **U.S. Cl.** **D12/187**

[58] **Field of Search** D12/187, 188,
D12/189; 359/838, 843, 844, 850, 871-874,
857, 860, 864, 866, 868, 876, 606, 265

[56] **References Cited**

U.S. PATENT DOCUMENTS

D. 300,312	3/1989	Skogler	D12/188
D. 328,587	8/1992	Arbsi	D12/187
D. 351,370	10/1994	Lawlor et al.	D12/187
D. 390,524	2/1998	DeLine et al.	D12/187
D. 391,214	2/1998	Hook et al.	D12/187
5,327,288	7/1994	Wellington et al.	359/606
5,572,354	11/1996	Desmond et al.	359/265

Primary Examiner—Ralf Seifert

Attorney, Agent, or Firm—Alan G. Towner; Eckert Seamans Cherin & Mellott, LLC

[57] **CLAIM**

The ornamental design for a rearview mirror with woodgrain bezel, as shown and described.

DESCRIPTION

FIG. 1 is a perspective view of the rearview mirror including a woodgrain bezel.

FIG. 2 is a front elevational view of the rearview mirror of FIG. 1.

FIG. 3 is a top plan view of the rearview mirror of FIG. 1.

FIG. 4 is a bottom plan view of the rearview mirror of FIG. 1.

FIG. 5 is a left side elevational view of the rearview mirror of FIG. 1.

FIG. 6 is a right side elevational view of the rearview mirror of FIG. 1.

FIG. 7 is a perspective view of the woodgrain rearview mirror bezel.

FIG. 8 is a front elevational view of the woodgrain rearview mirror bezel of FIG. 7.

FIG. 9 is a rear elevational view of the rearview mirror of FIG. 1.

FIG. 10 is a top plan view of the rearview mirror of FIG. 1.

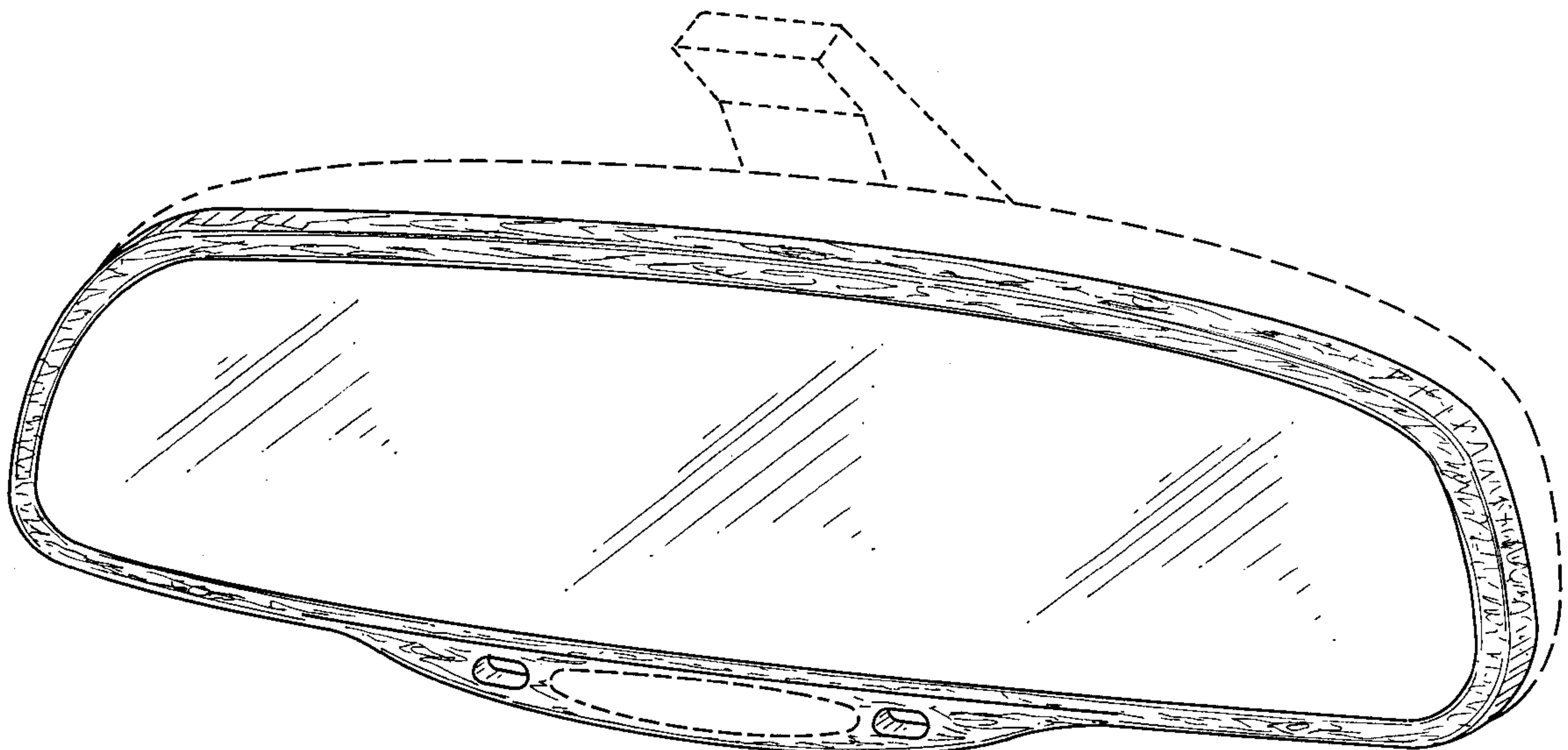
FIG. 11 is a bottom plan view of the rearview mirror of FIG. 1.

FIG. 12 is a left side elevational view of the rearview mirror of FIG. 1; and,

FIG. 13 is a right side elevational view of the rearview mirror of FIG. 1.

The broken line showing of a mirror housing and support in FIGS. 1, 3, 4, 5 and 6, of a supporting element in FIG. 2 and of an opening in FIGS. 1, 2, 7 8 and 9 is for illustrative purposes only and forms no part of the claimed design.

1 Claim, 7 Drawing Sheets



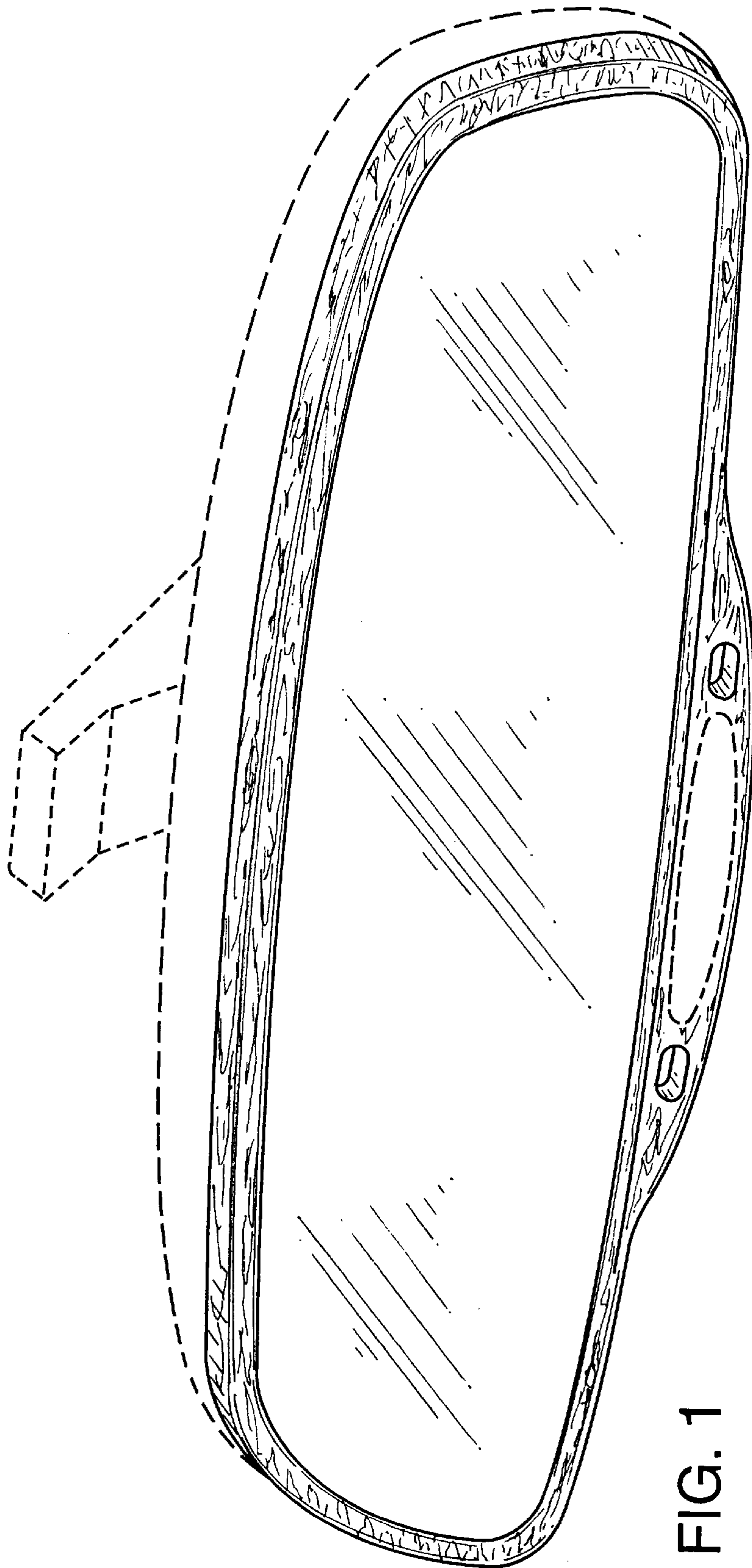


FIG. 1

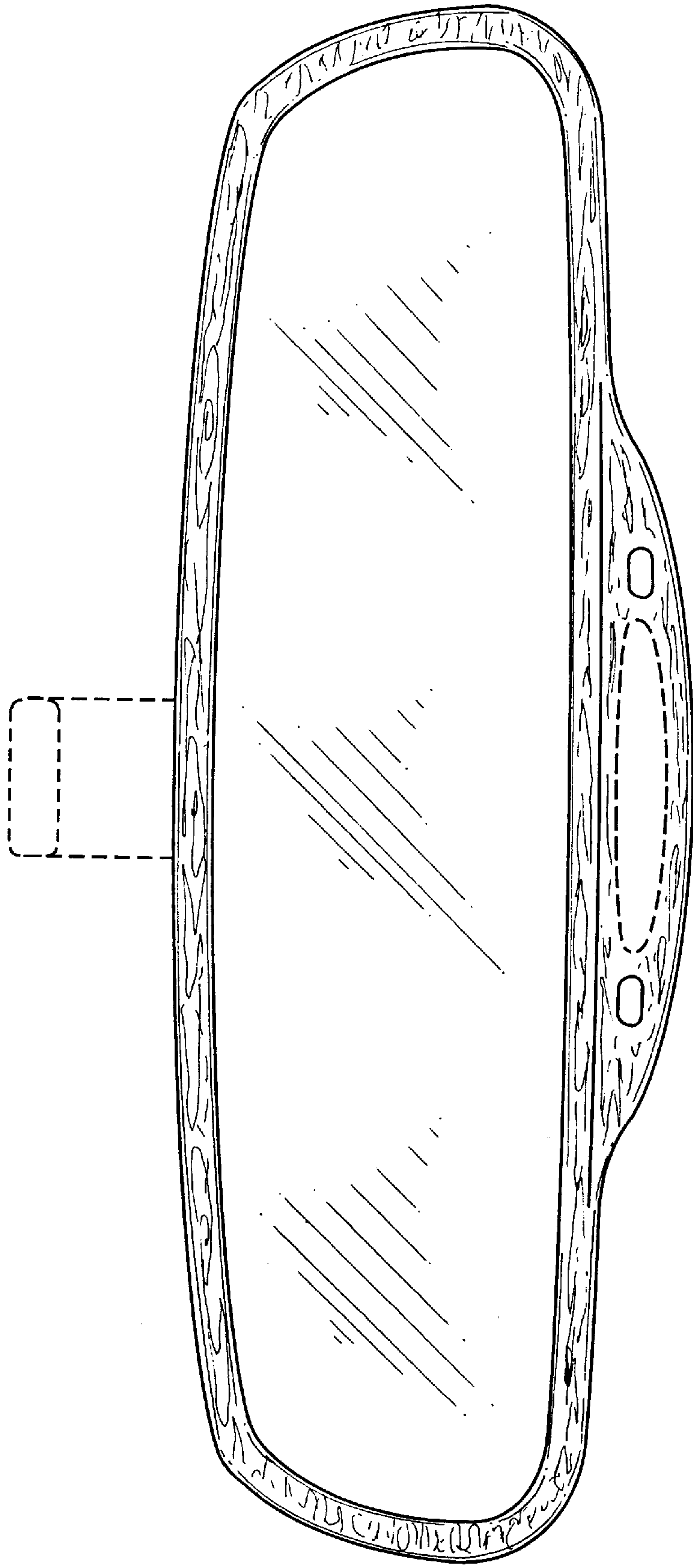


FIG. 2

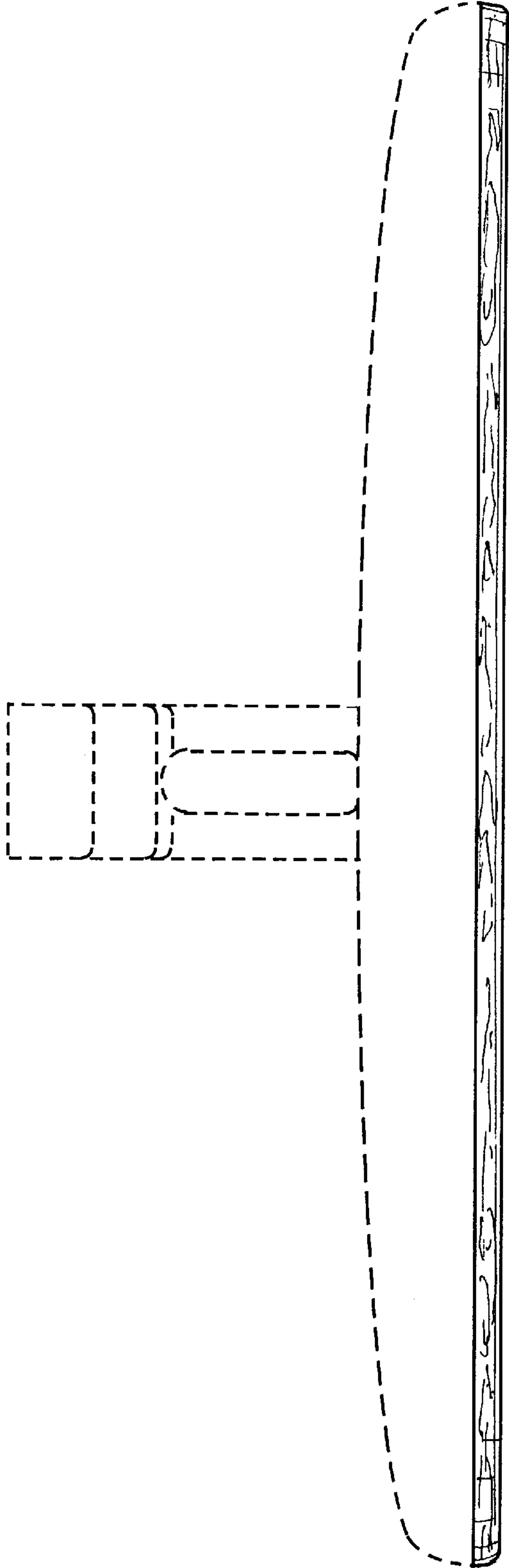


FIG. 3

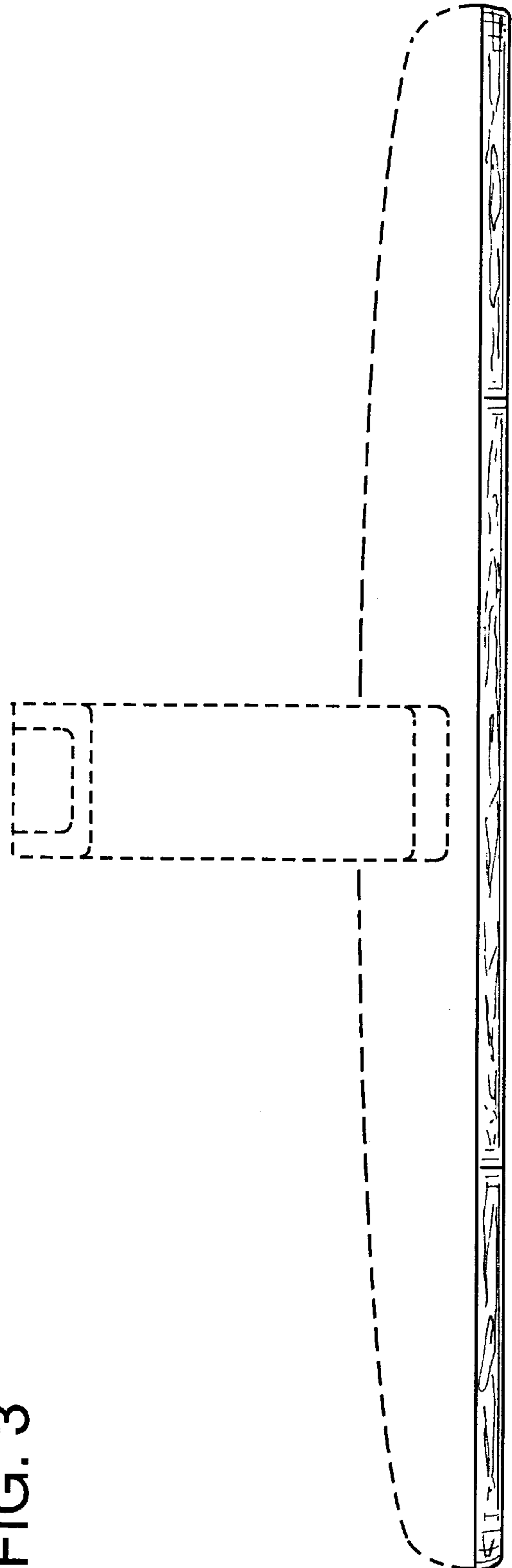


FIG. 4

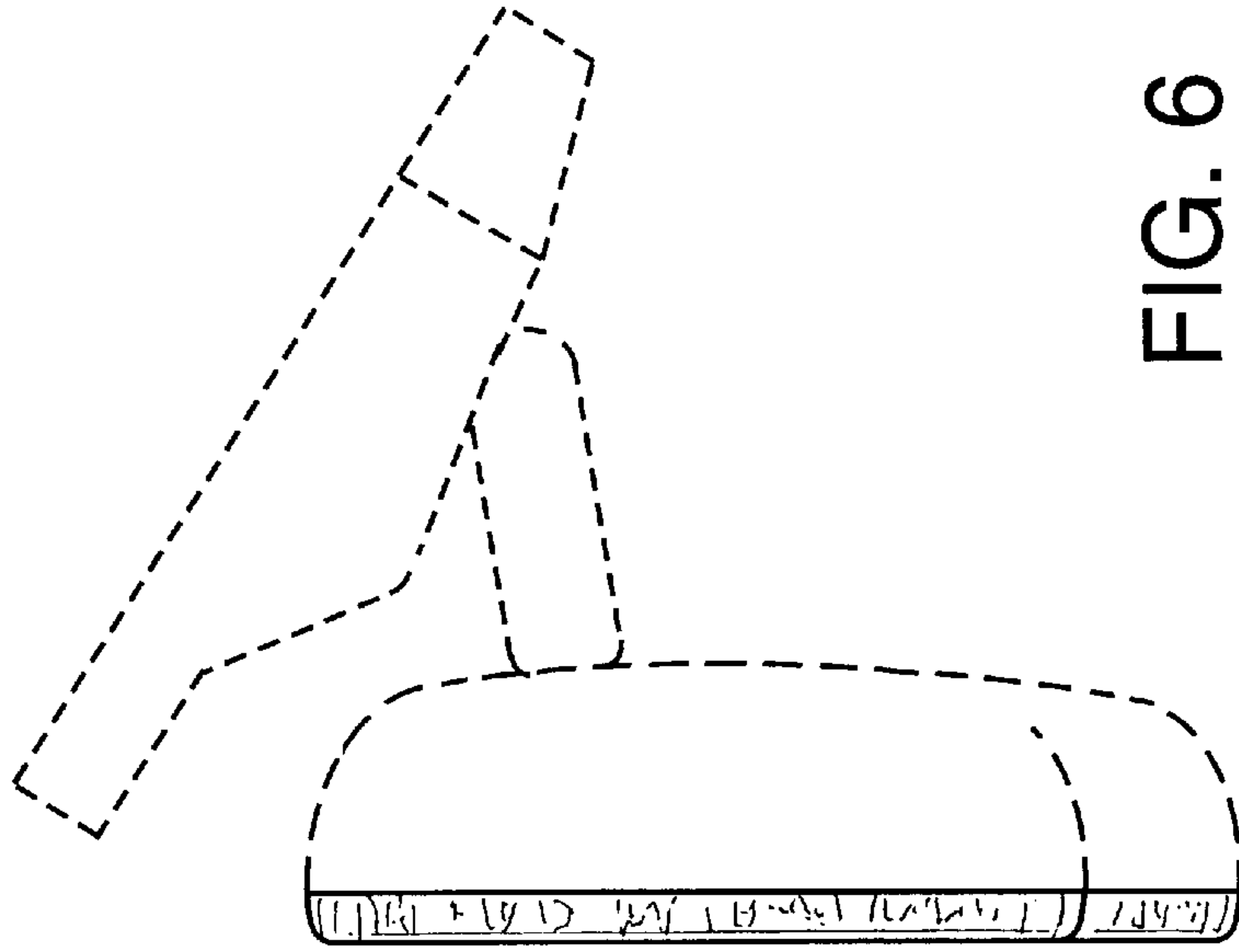


FIG. 6

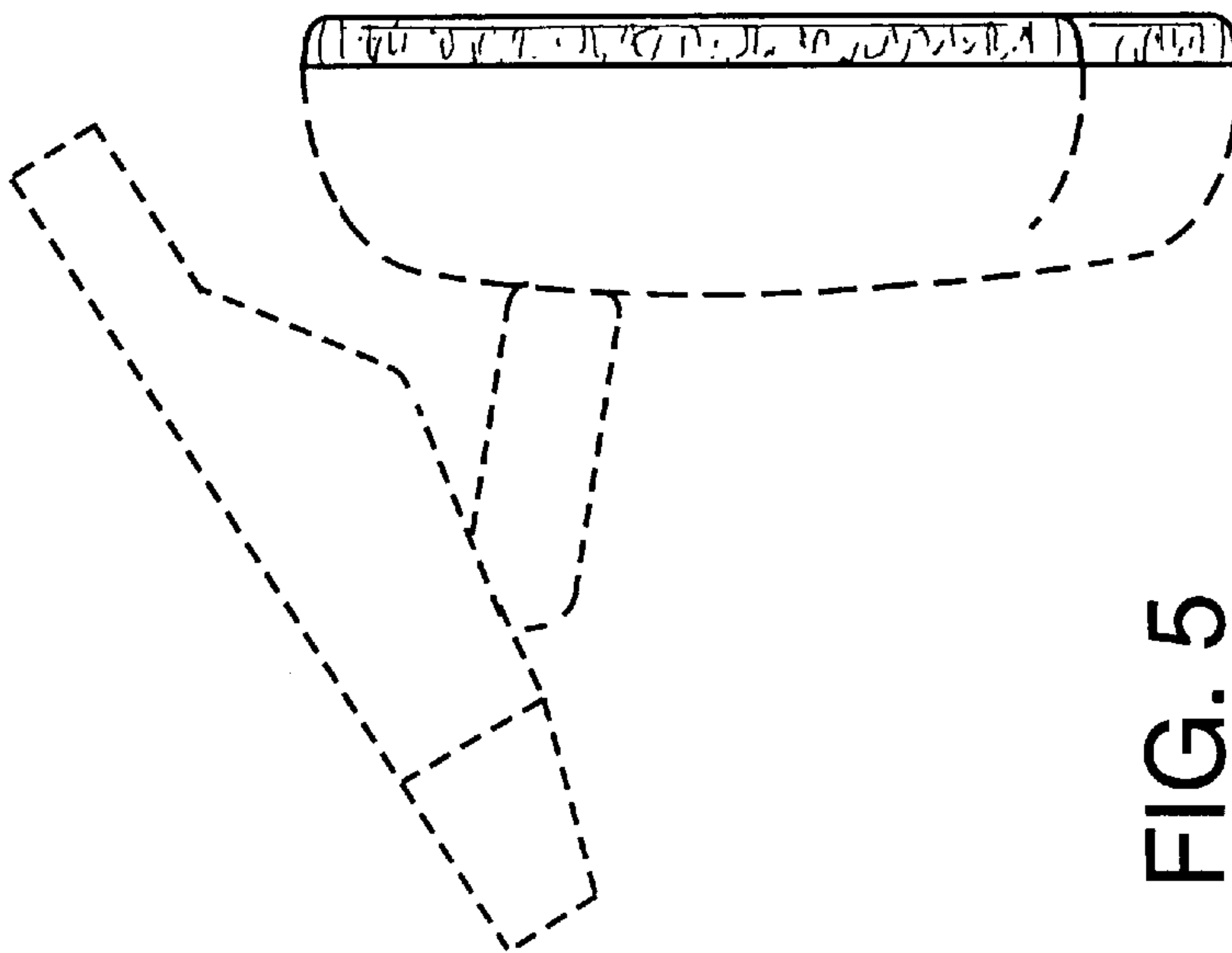


FIG. 5

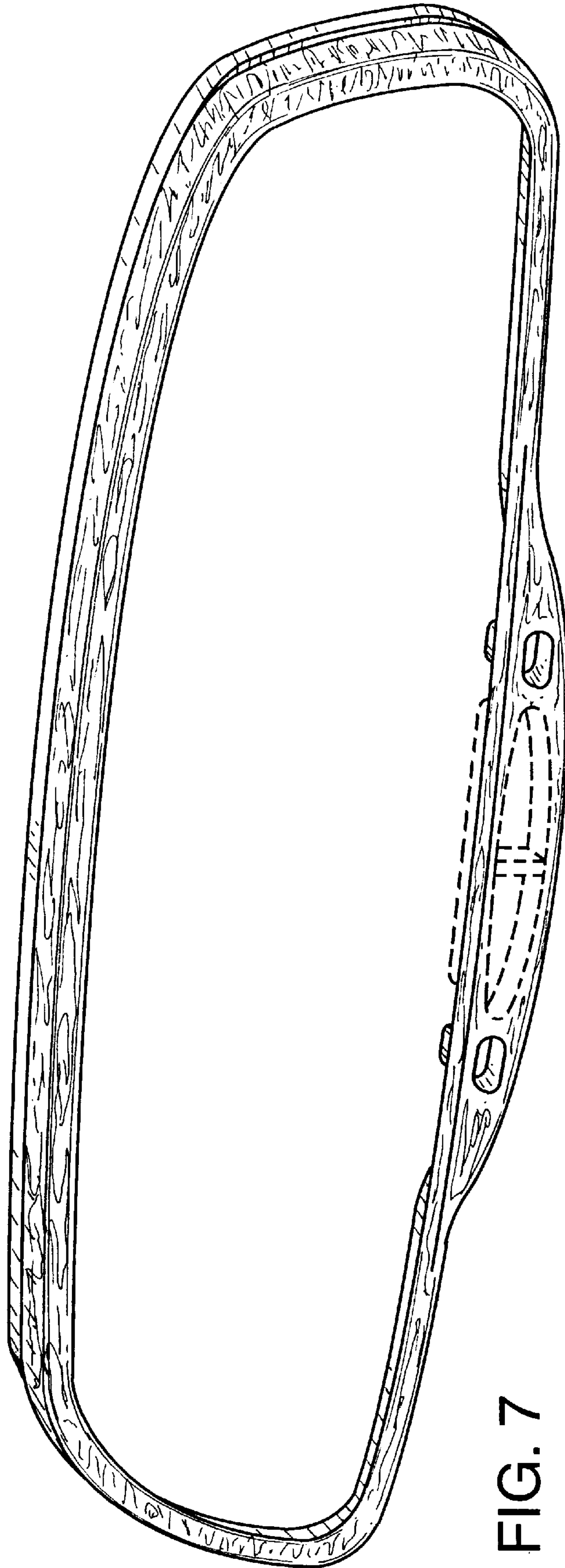


FIG. 7

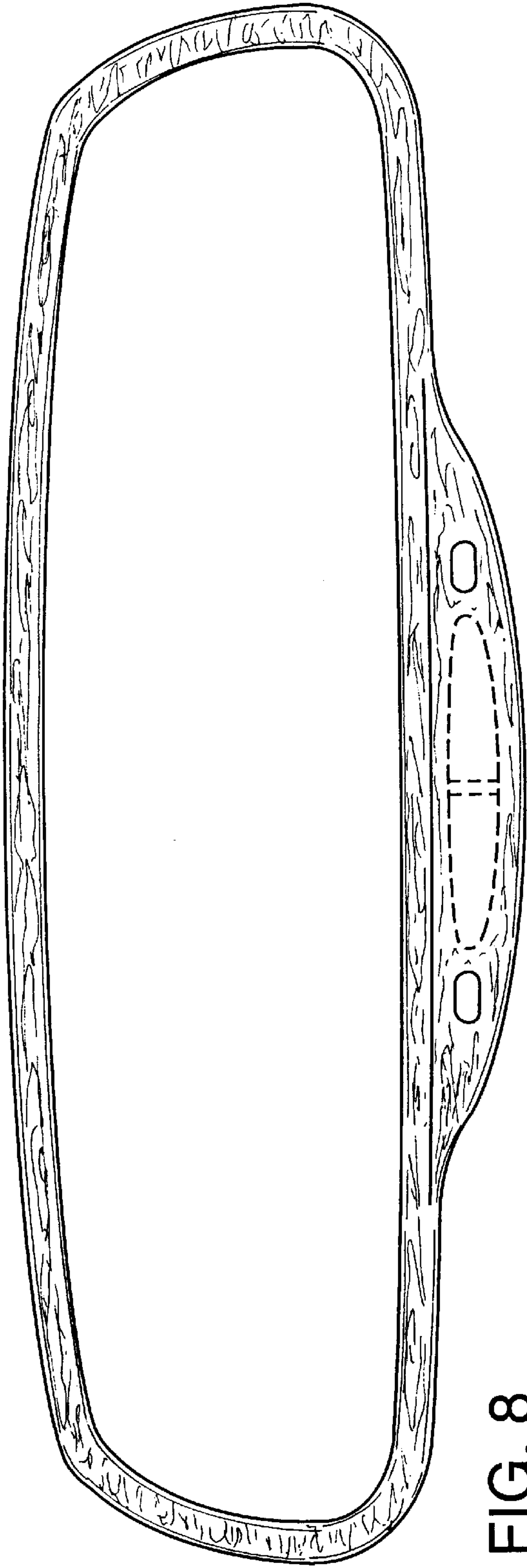


FIG. 8

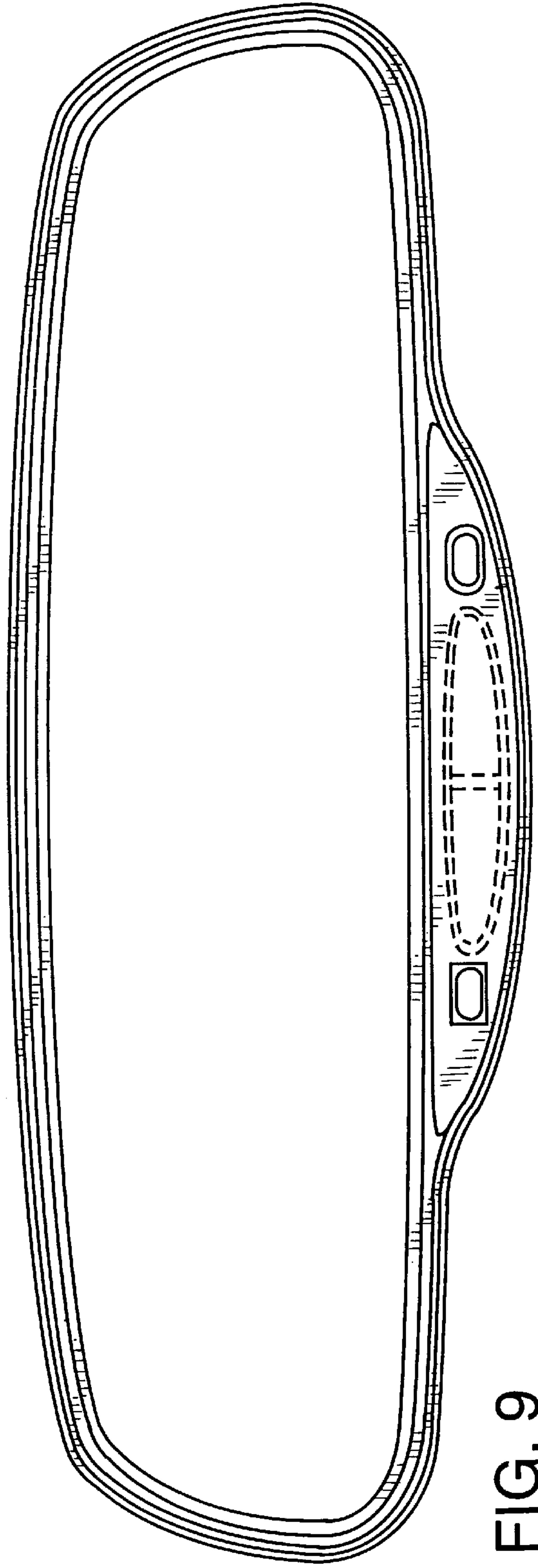


FIG. 9



FIG. 10

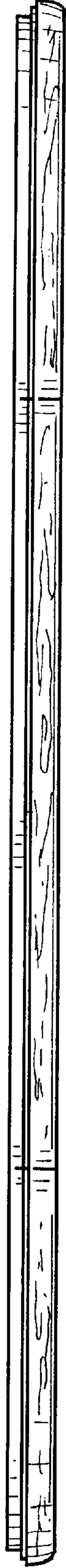


FIG. 11



FIG. 12

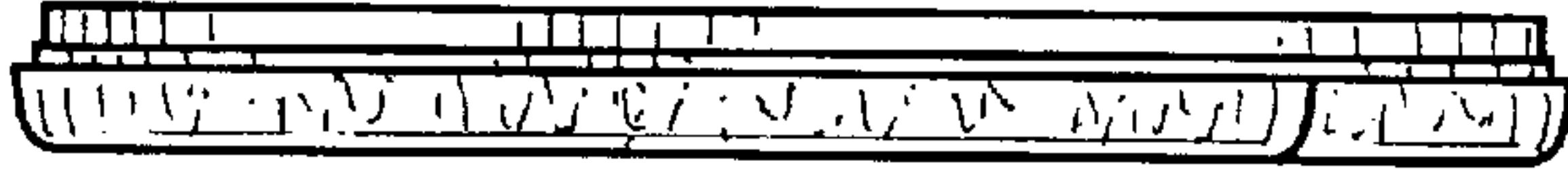


FIG. 13

UNITED STATES PATENT AND TRADEMARK OFFICE
CERTIFICATE OF CORRECTION

PATENT NO. : Des. 410,607
DATED : June 8, 1999
INVENTOR(S) : John W. Carter

It is certified that error appears in the above-identified patent and that said Letters Patent is hereby corrected as shown below:

In the "References Cited U.S. PATENT DOCUMENTS" printer neglected to add the following:

-- 1,437,850	Hodny	12/05/22
Des. 221,534	Hodge	08/24/71
Des. 332,246	Yeh	01/05/93 --.

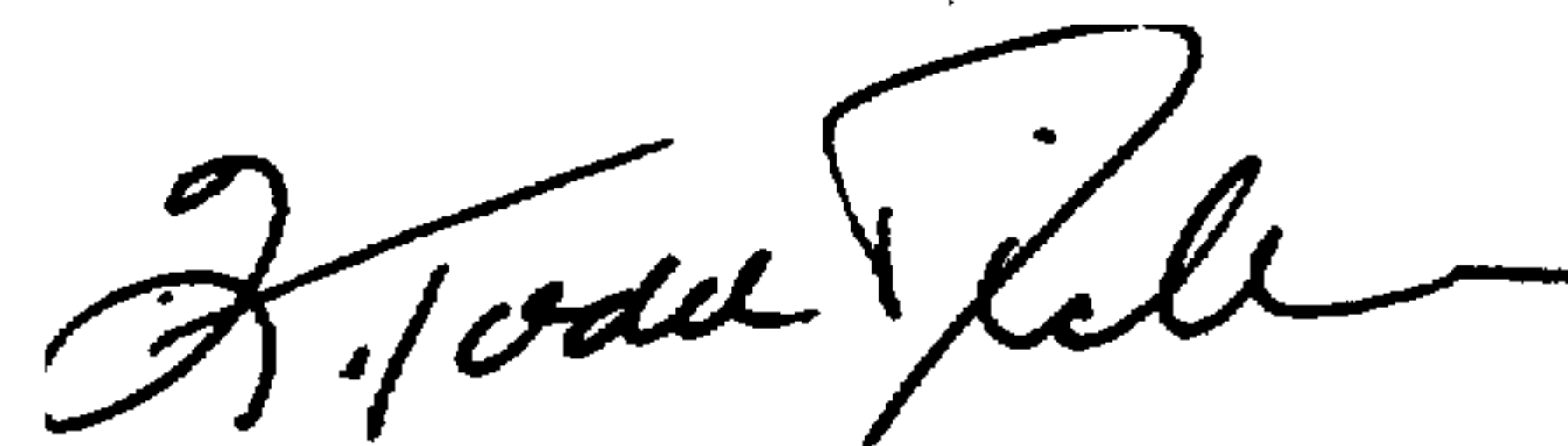
Under "References Cited", add -- OTHER PUBLICATIONS -- Ward's AutoWorld Advertisement, Gentex Corporation, July 1997 --;

In accordance with the Examiner's Amendment of September 23, 1998, the last paragraph on the cover page should precede the "CLAIM" section.

Insert --The woodgrain rearview mirror bezel comprises a simulated or natural woodgrain surface -- after "Figure 13", as originally submitted.

Signed and Sealed this
Thirteenth Day of June, 2000

Attest:



Q. TODD DICKINSON

Attesting Officer

Director of Patents and Trademarks