



US00D410599S

United States Patent [19]

Mottern et al.

[11] **Patent Number: Des. 410,599**

[45] **Date of Patent: ** Jun. 8, 1999**

[54] **BICYCLE KICKSTAND SUPPORT**

5,501,479 3/1996 Fehrenbach et al. 280/293

[76] Inventors: **Rita June Mottern**, 2178 Harbor View Dr., Dunedin, Fla. 34698; **Wallace William Gerren**, 3771 State Rte. 44, Rootstown, Ohio 44272

[**] Term: **14 Years**

[21] Appl. No.: **29/057,372**

[22] Filed: **Jul. 23, 1996**

[51] **LOC (6) Cl.** **12-11**

[52] **U.S. Cl.** **D12/120**

[58] **Field of Search** D12/120; 280/293, 280/288.4, 301; D8/305; D21/201, 204

[56] **References Cited**

U.S. PATENT DOCUMENTS

D. 306,419	3/1990	Merritt	D12/120
D. 319,297	8/1991	Hardman	D21/204
D. 339,955	10/1993	Katz	D21/204
D. 348,861	7/1994	Thomas	D12/120
D. 350,089	8/1994	Greenfield	D12/120
D. 386,228	11/1997	Hegenbarth et al.	D21/204
3,955,829	5/1976	Bussler	D12/120

OTHER PUBLICATIONS

Silvo Home Hardware Co Catalog, p. 62, the Sports Lock Basketball Door Knob, WL7K, Jun. 21, 1996.
Potpourri, Spring 1989, p. 62, the basketball lock.

Primary Examiner—Melody N. Brown
Attorney, Agent, or Firm—William E. Mouzavires

[57] **CLAIM**

The ornamental design for a bicycle kickstand support, as shown and described.

DESCRIPTION

FIG. 1 is an environmental perspective view of the bicycle kickstand support showing my new design with a bicycle kickstand shown in broken lines but forming no part of my design;

FIG. 2 is a front elevational view thereof;

FIG. 3 is a rear elevational view thereof;

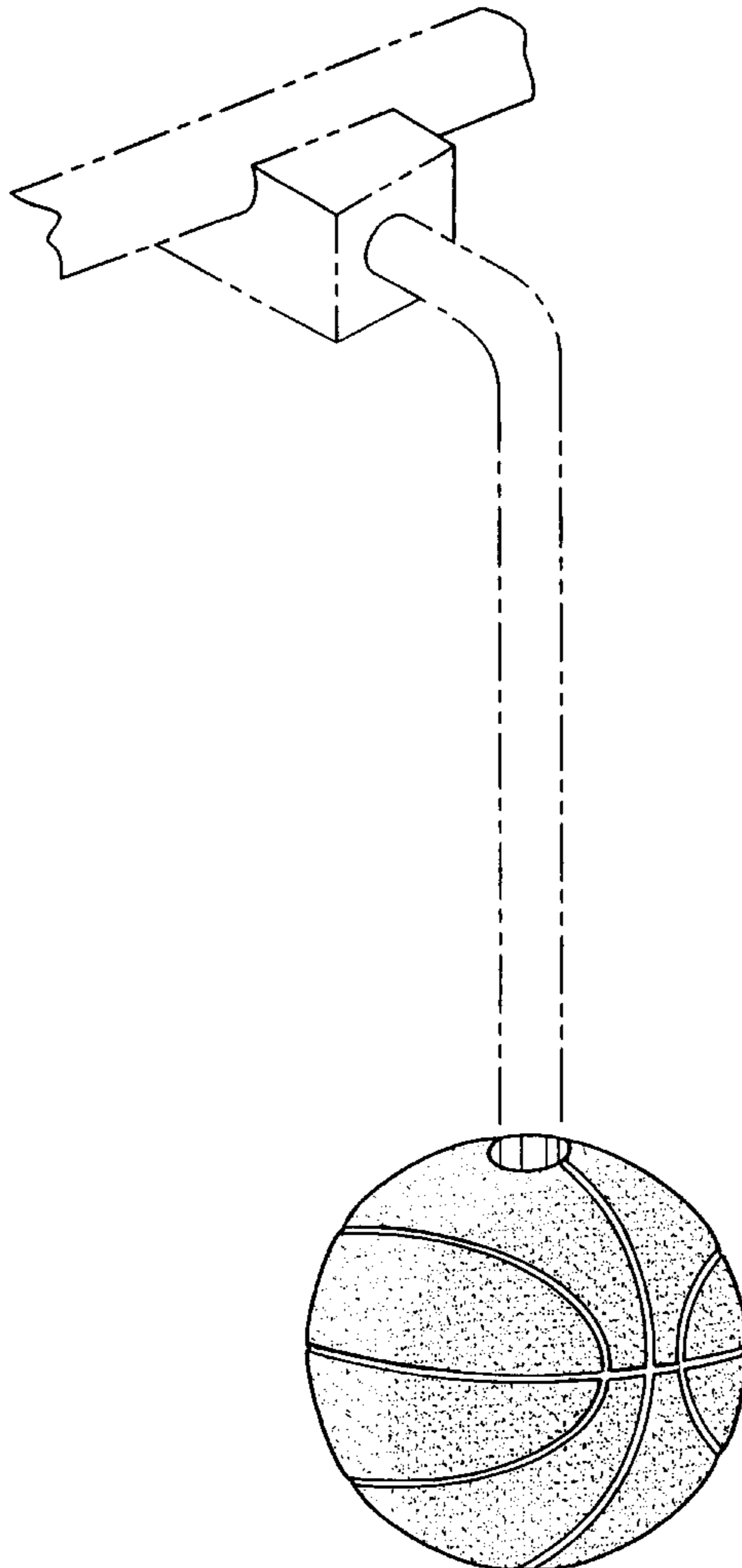
FIG. 4 is a left side view thereof;

FIG. 5 is a right side view thereof;

FIG. 6 is a bottom view thereof; and,

FIG. 7 is a top view thereof.

1 Claim, 2 Drawing Sheets



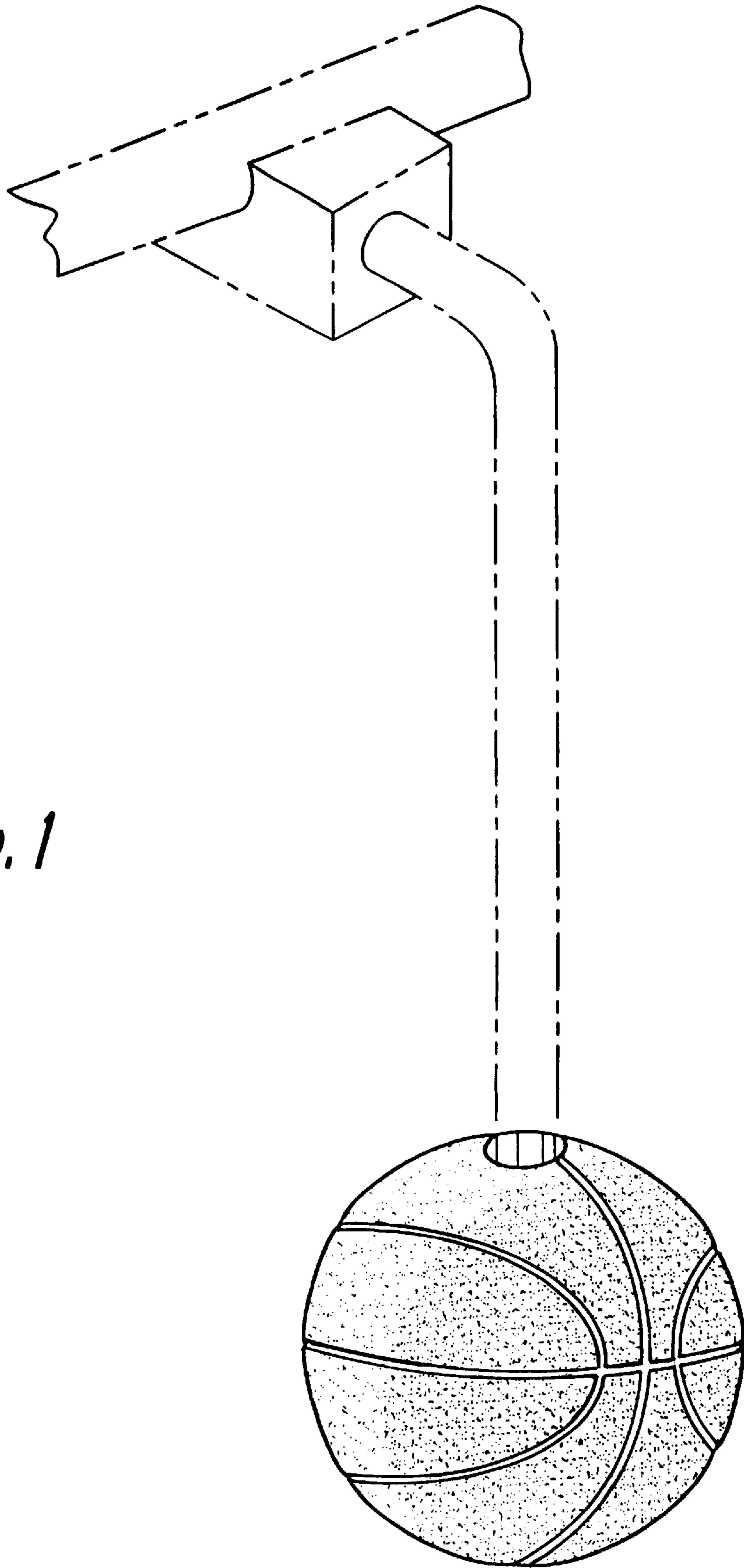


FIG. 1

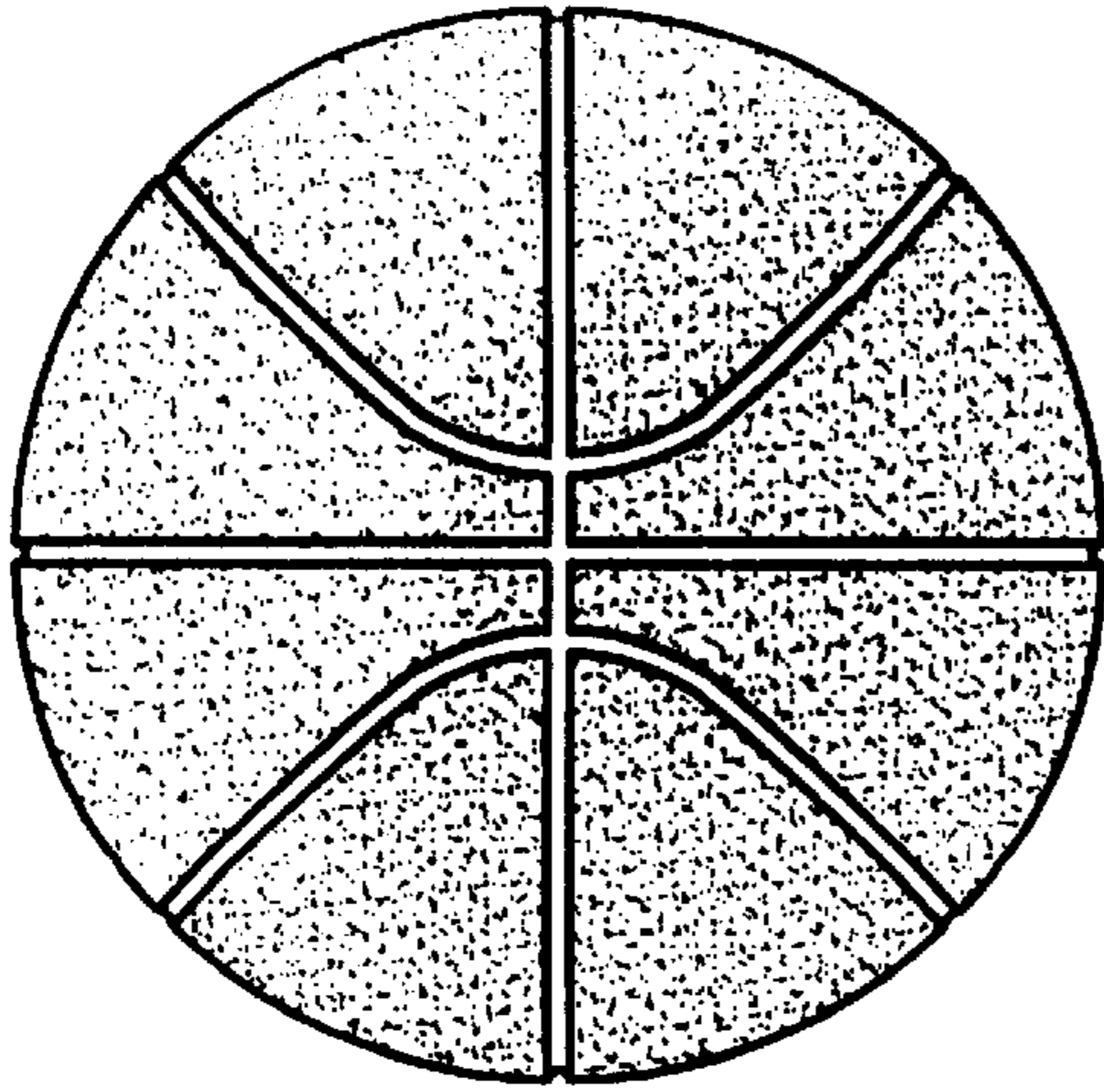


FIG. 2

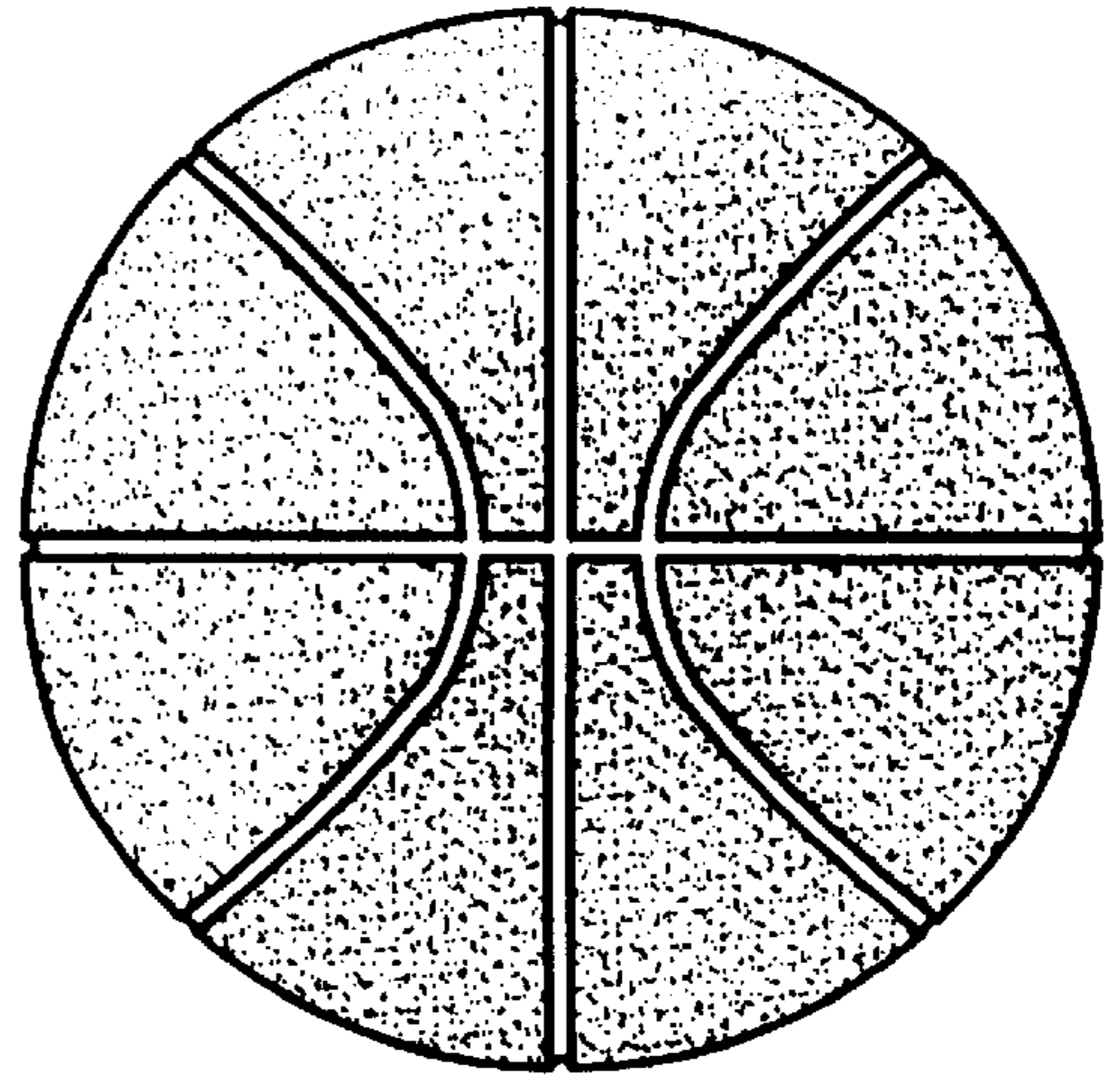


FIG. 3

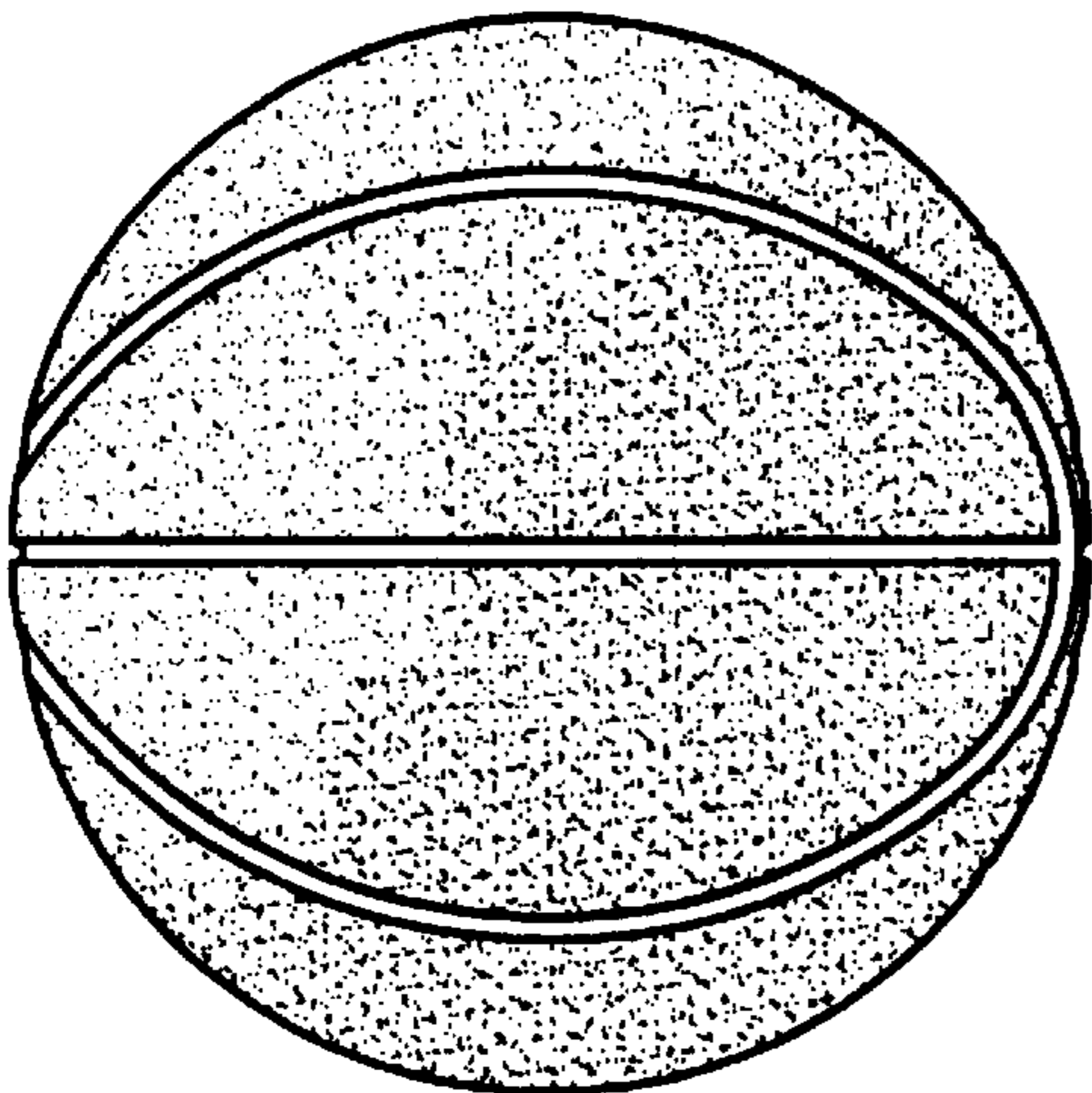


FIG. 4

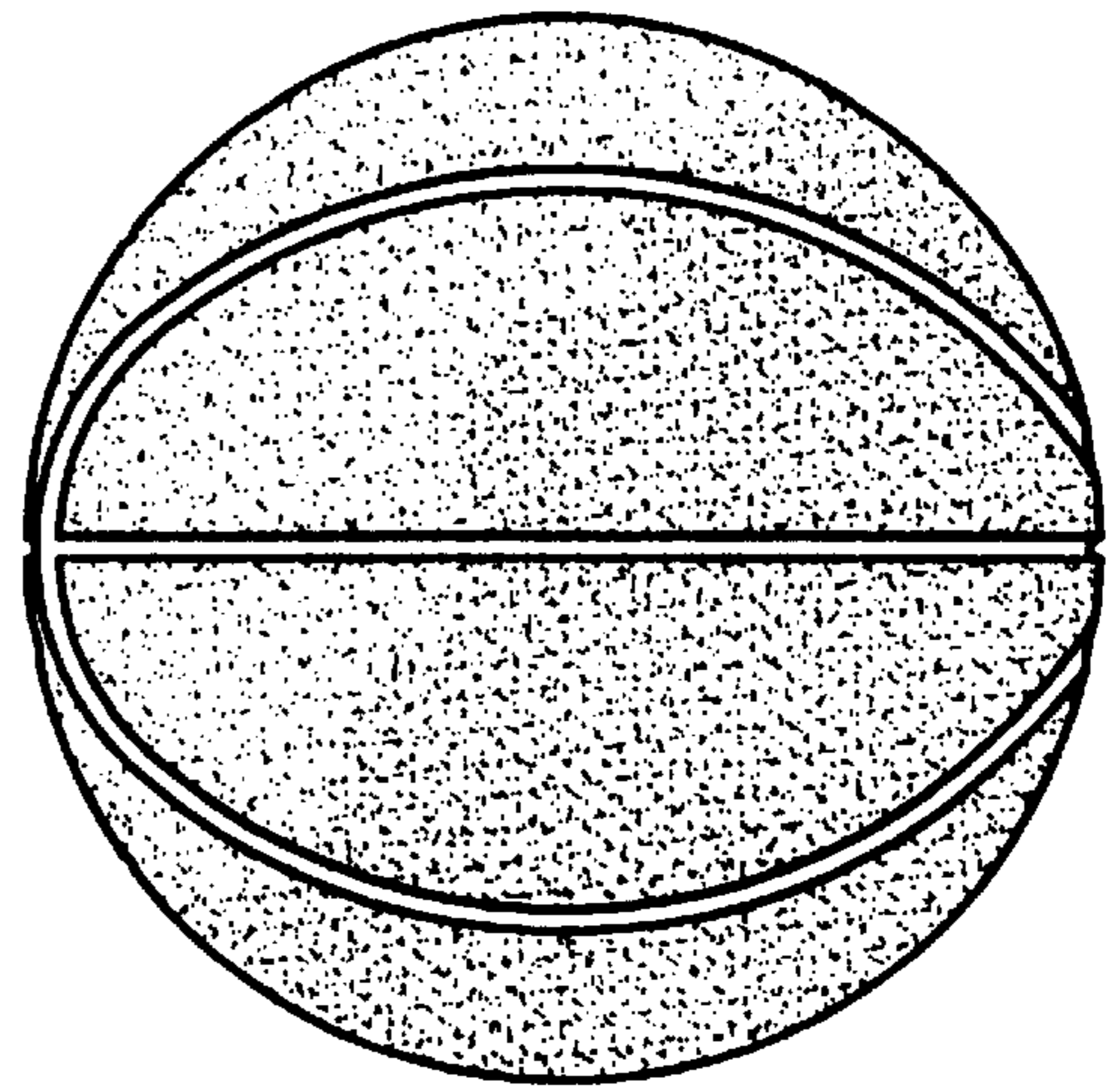


FIG. 5

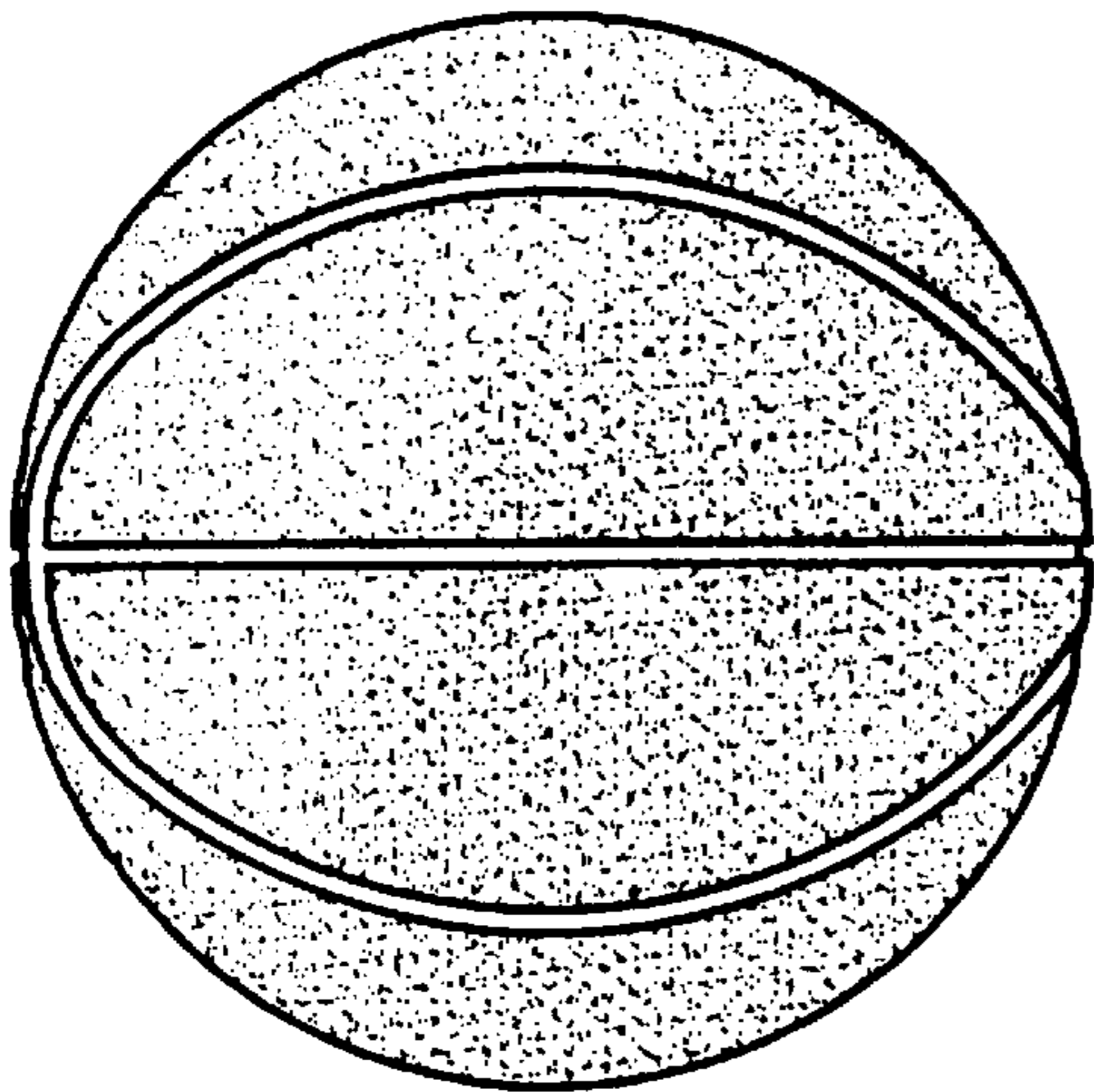


FIG. 6

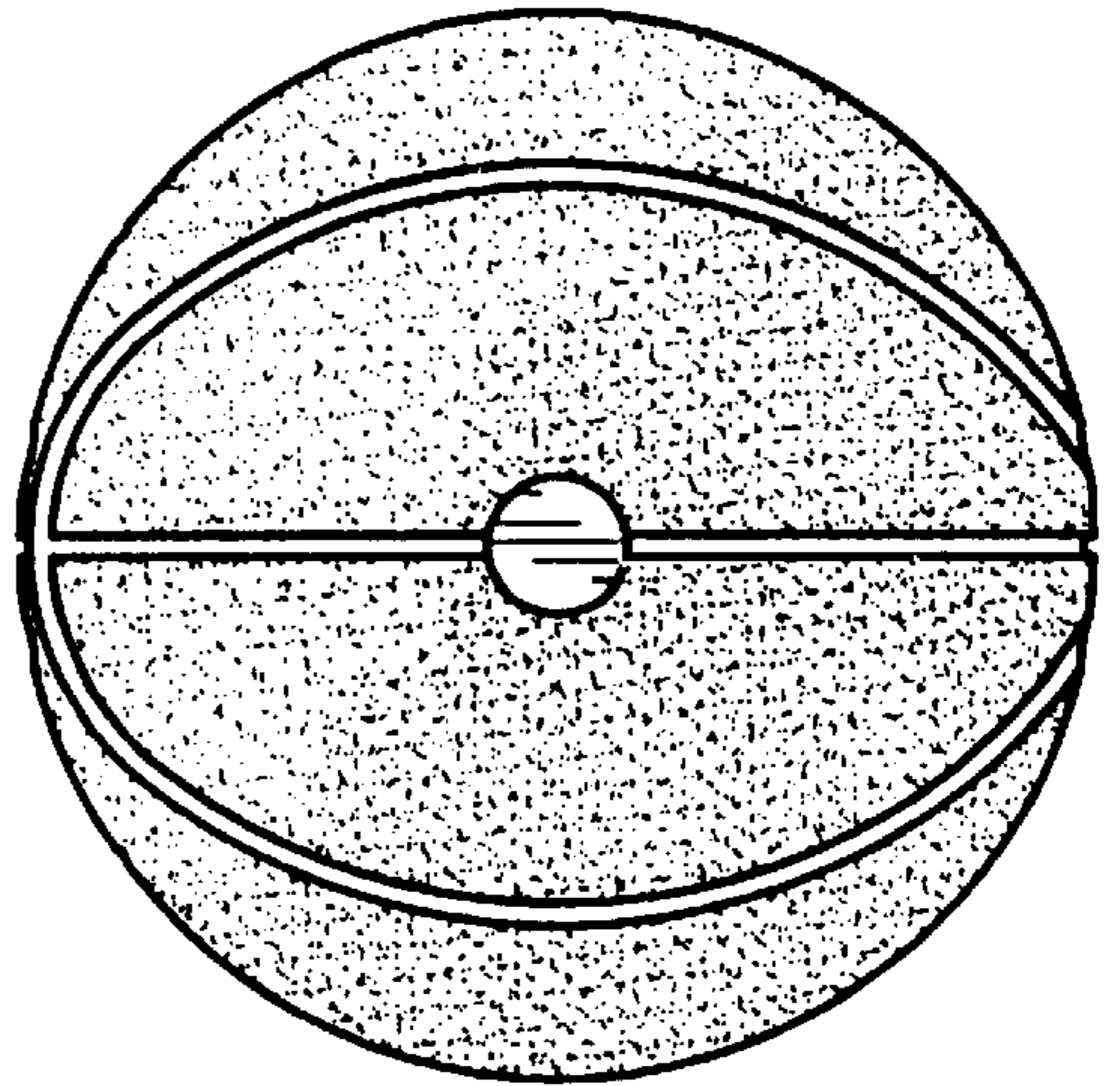


FIG. 7