



US00D410596S

United States Patent [19]

[11] **Patent Number: Des. 410,596**

Mottern et al.

[45] **Date of Patent: ** Jun. 8, 1999**

[54] BICYCLE KICKSTAND SUPPORT

3,955,829 5/1976 Bussler D12/120
5,501,479 3/1996 Fehrenbach et al. 280/293

[76] Inventors: **Rita June Mottern**, 2178 Harbor View Dr., Dunedin, Fla. 34698; **Wallace William Gerren**, 3771 State Rte. 44, Rootstown, Ohio 44272

OTHER PUBLICATIONS

The Silvo Home Hardware Co Catalog, p. 62 Sports Lock Doorknobs, Football WL7F, Jun. 21, 1996.

[**] Term: **14 Years**

Primary Examiner—Melody N. Brown
Attorney, Agent, or Firm—William E. Mouzavires

[21] Appl. No.: **29/057,351**

[57] CLAIM

[22] Filed: **Jul. 23, 1996**

The ornamental design for a bicycle kickstand support, as shown and described.

[51] **LOC (6) Cl.** **12-11**

DESCRIPTION

[52] **U.S. Cl.** **D12/120**

[58] **Field of Search** D12/120; 280/288.4, 280/293, 301; D21/204, 201, 208, 209, 51; D8/305

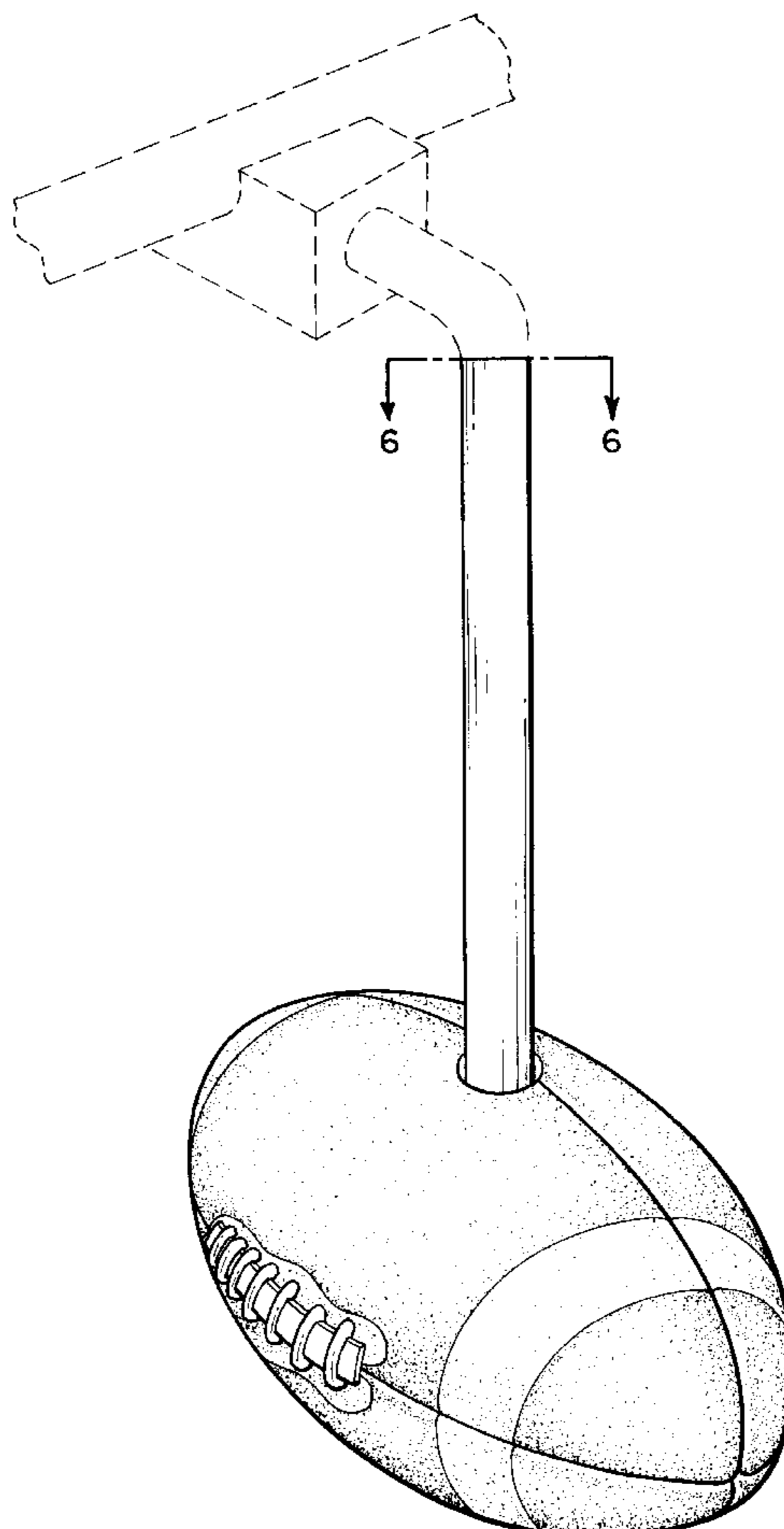
FIG. 1 is a perspective view of a bicycle kickstand support showing our new design in solid lines; FIG. 2 is a front elevational view with a portion broken away at the top; to a reduced scale; FIG. 3 is a rear elevational view thereof with a portion broken away at the top; to a reduced scale; FIG. 4 is a right end elevational view thereof to a reduced scale with a portion broken away at the top; FIG. 5 is a bottom view thereof to a reduced scale; and, FIG. 6 is a cross-sectional view to a reduced scale taken generally along lines 6—6 of FIG. 1.

[56] References Cited

U.S. PATENT DOCUMENTS

| | | | | |
|------------|---------|-----------------|-------|---------|
| D. 306,419 | 3/1990 | Merritt | | D12/120 |
| D. 318,715 | 7/1991 | Hardman | | D8/305 |
| D. 339,384 | 9/1993 | Seifan | | D21/204 |
| D. 348,861 | 7/1994 | Thomas | | D12/120 |
| D. 350,089 | 8/1994 | Greenfield | | D12/120 |
| D. 355,460 | 2/1995 | Routzong et al. | | D21/204 |
| D. 386,229 | 11/1997 | Hicks | | D21/204 |
| D. 387,772 | 12/1997 | Steinberg | | D21/204 |

1 Claim, 2 Drawing Sheets



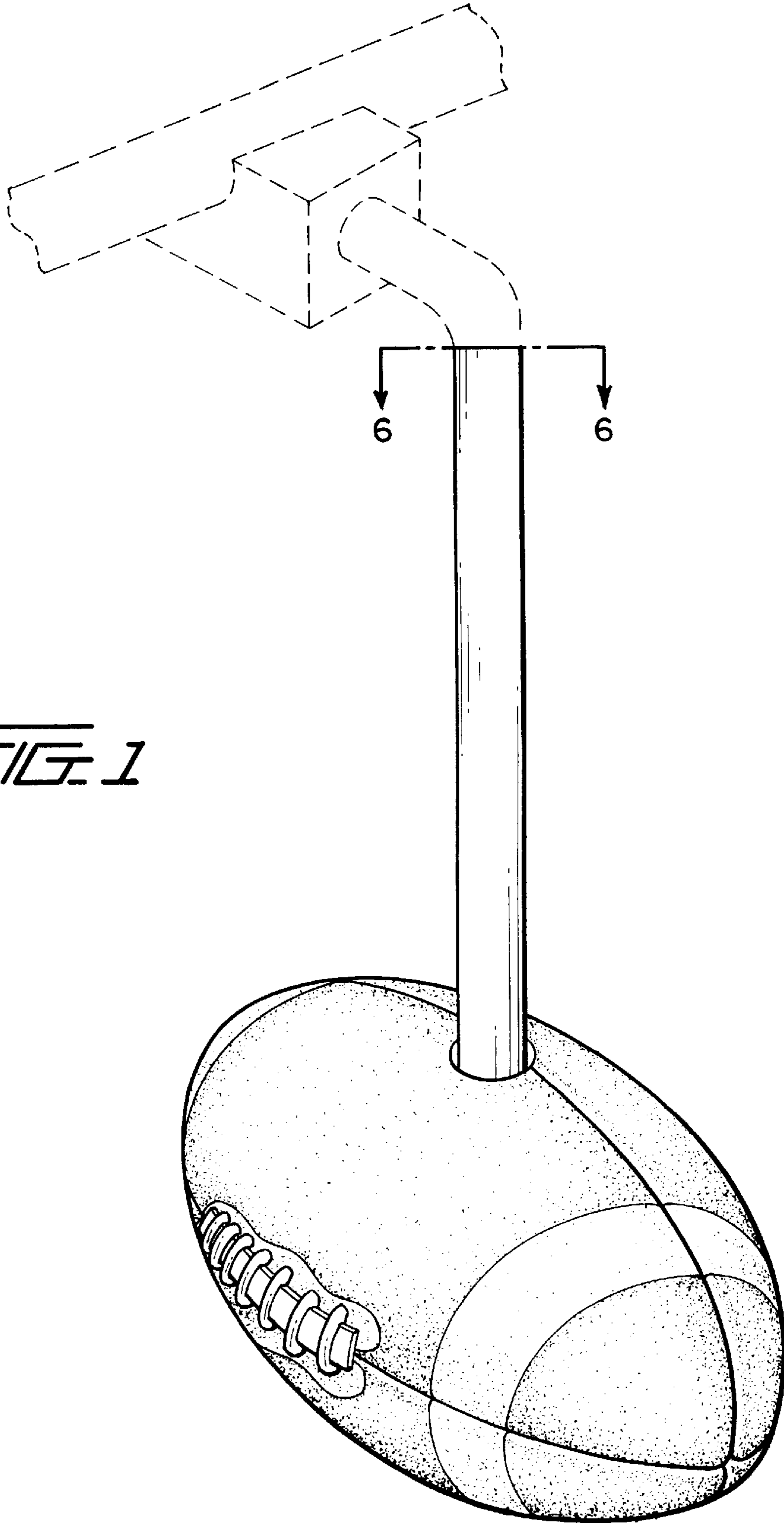


FIG. 1

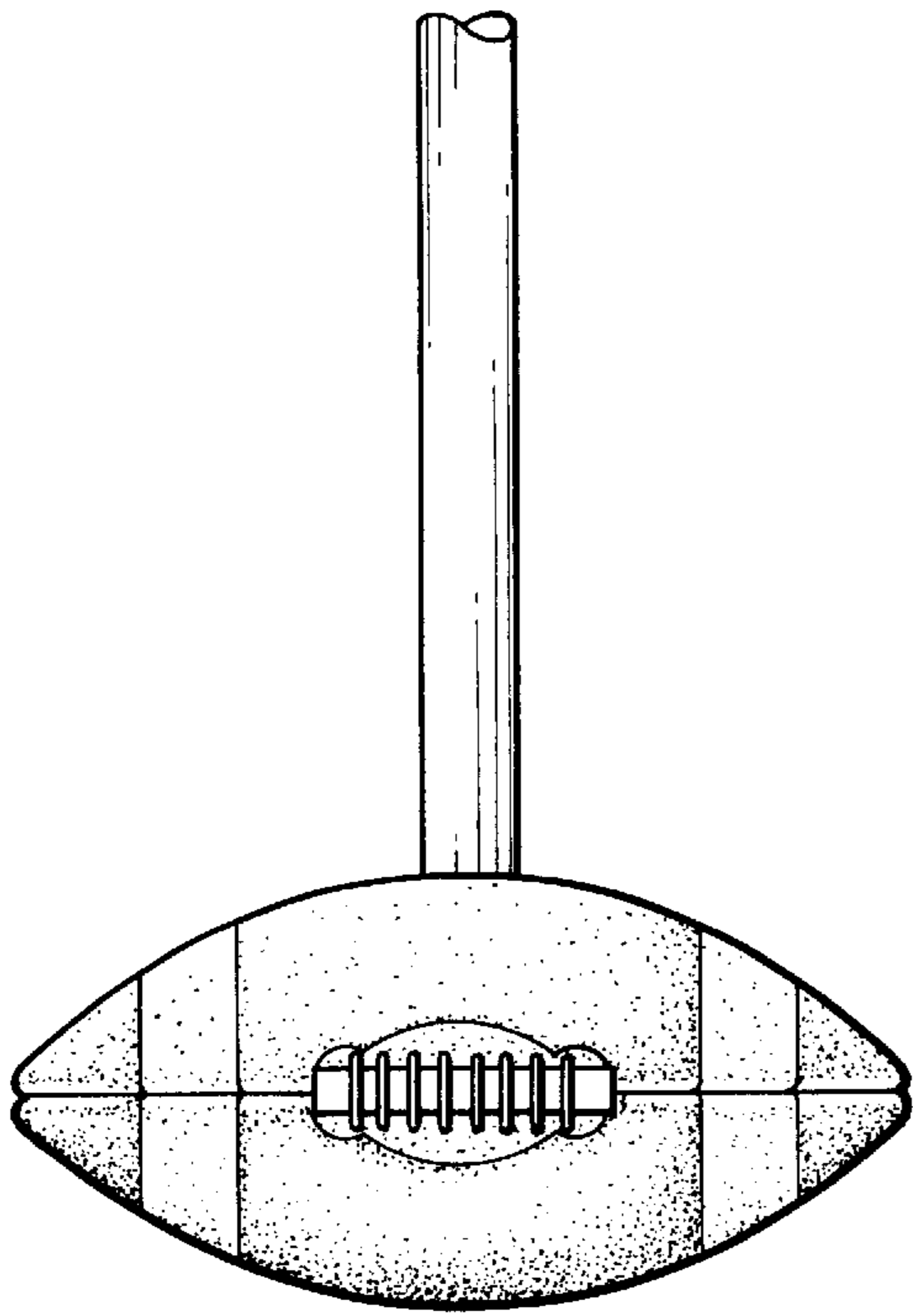


FIG. 2

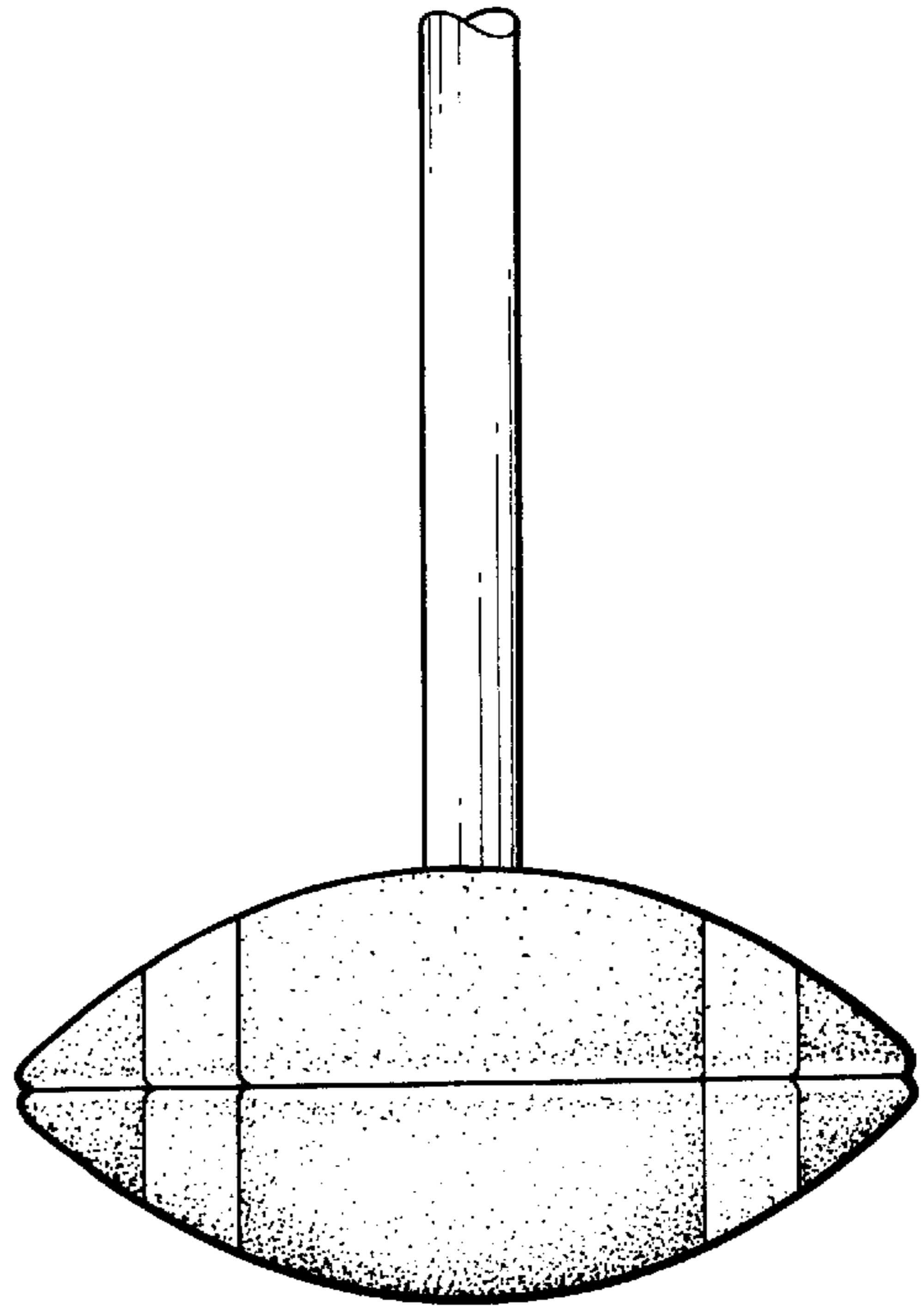


FIG. 3

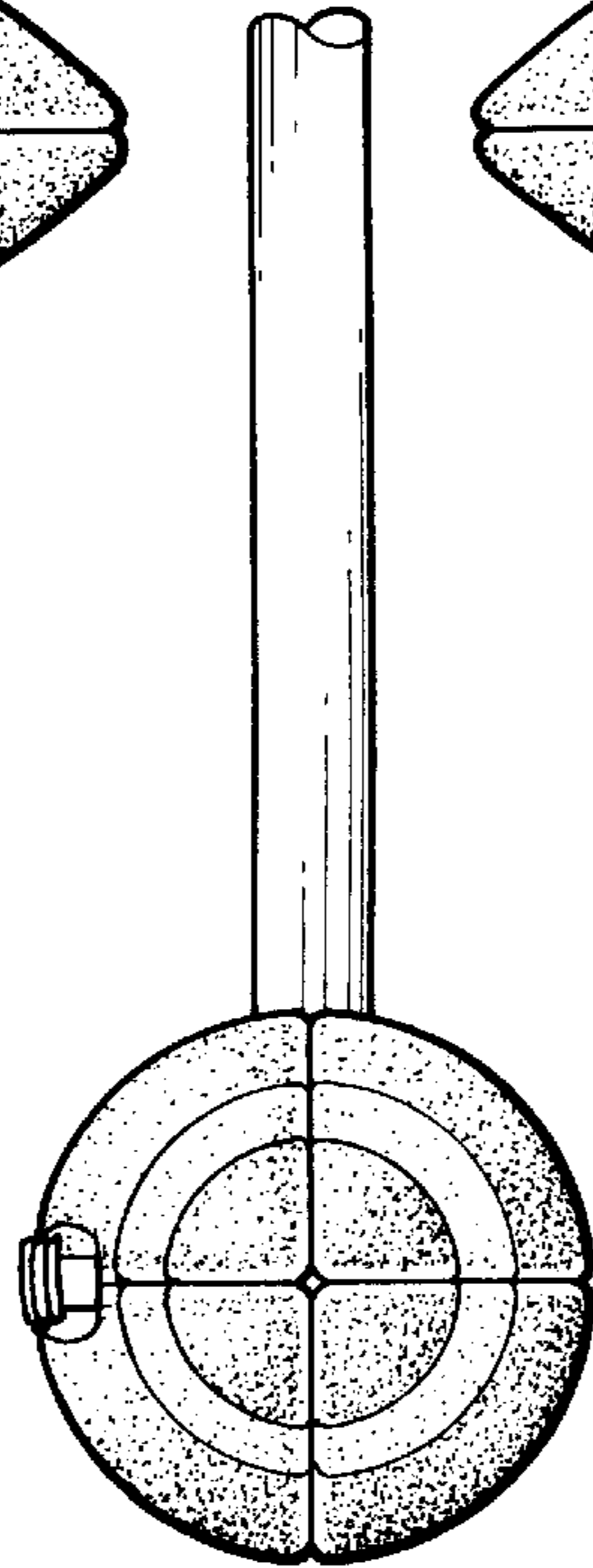


FIG. 4

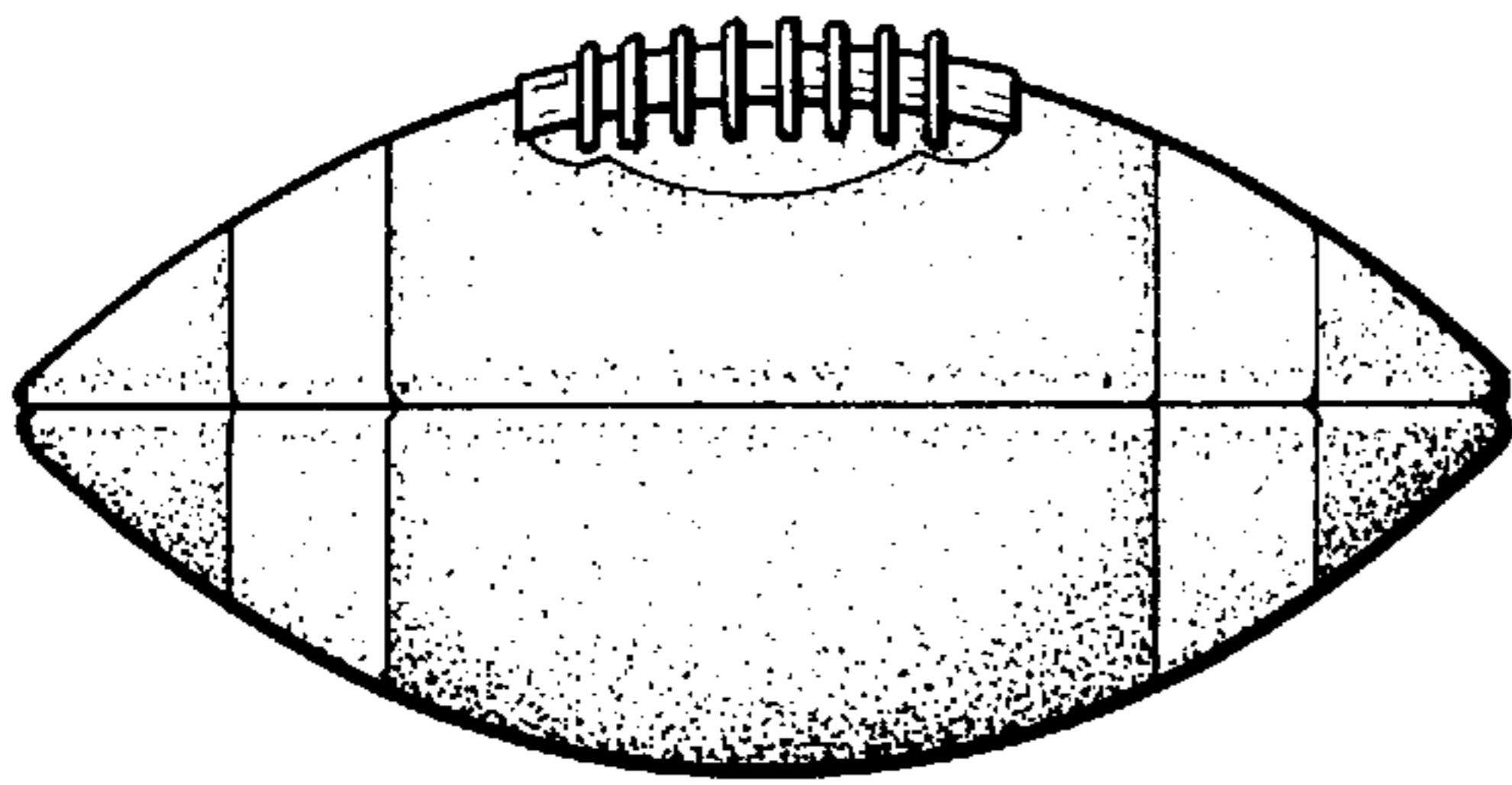


FIG. 5

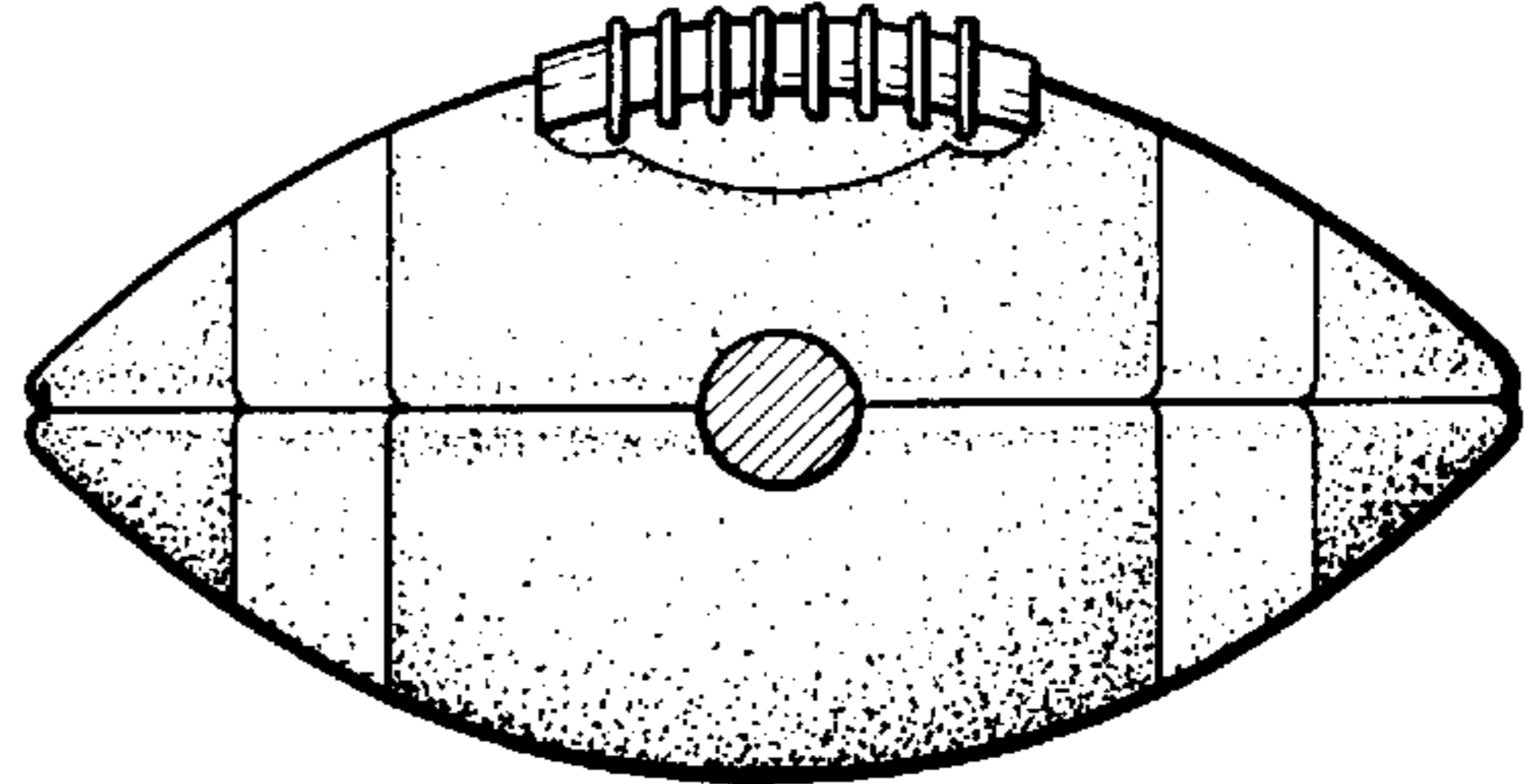


FIG. 6