



US00D410587S

United States Patent [19]
Chew

[11] **Patent Number: Des. 410,587**
[45] **Date of Patent: ** Jun. 8, 1999**

[54] **EMERGENCY VEHICLE SIGNAL**

Primary Examiner—Marcus A. Jackson

[76] Inventor: **Howard Chew**, 504 Midway Dr.,
Lexington Park, Md. 20653

[57] **CLAIM**

The ornamental design for a emergency vehicle signal, as shown.

[**] Term: **14 Years**

DESCRIPTION

[21] Appl. No.: **29/093,388**

FIG. 1 is a front elevational view of the emergency vehicle signal of the present invention;

[22] Filed: **Sep. 10, 1998**

FIG. 2 is a back elevational view of the emergency vehicle signal of FIG. 1;

[51] **LOC (6) Cl.** **10-05**

[52] **U.S. Cl.** **D10/109**

[58] **Field of Search** D10/109, 111,
D10/110, 114, 121; 116/173, 174, 175,
63 P, 63 C, 63 R

FIG. 3 is a left side elevational view of the emergency vehicle signal of FIG. 1;

FIG. 4 is a right side elevational view of the emergency vehicle signal of FIG. 1;

[56] **References Cited**

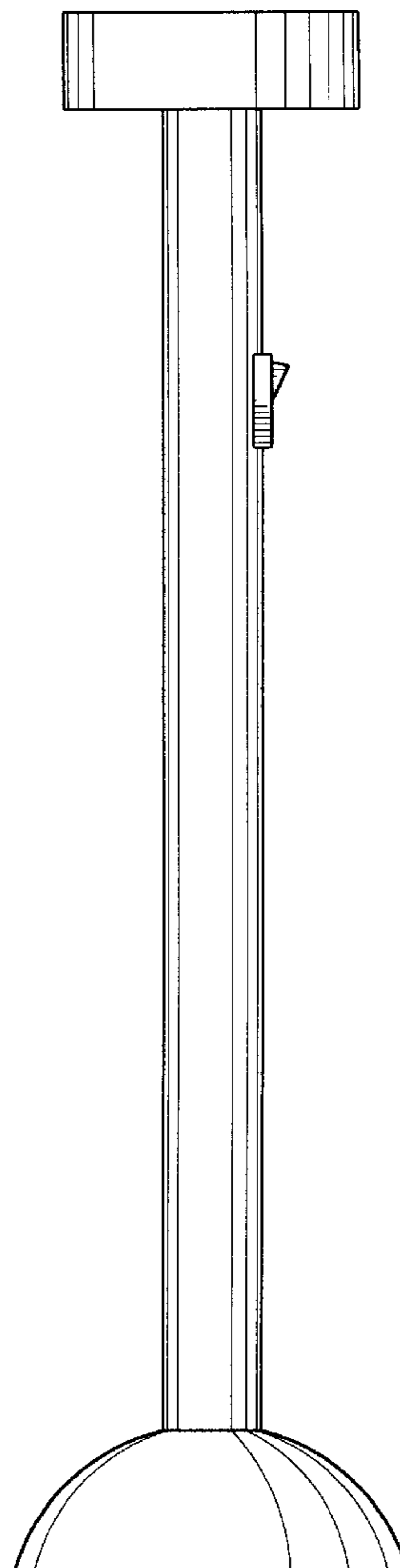
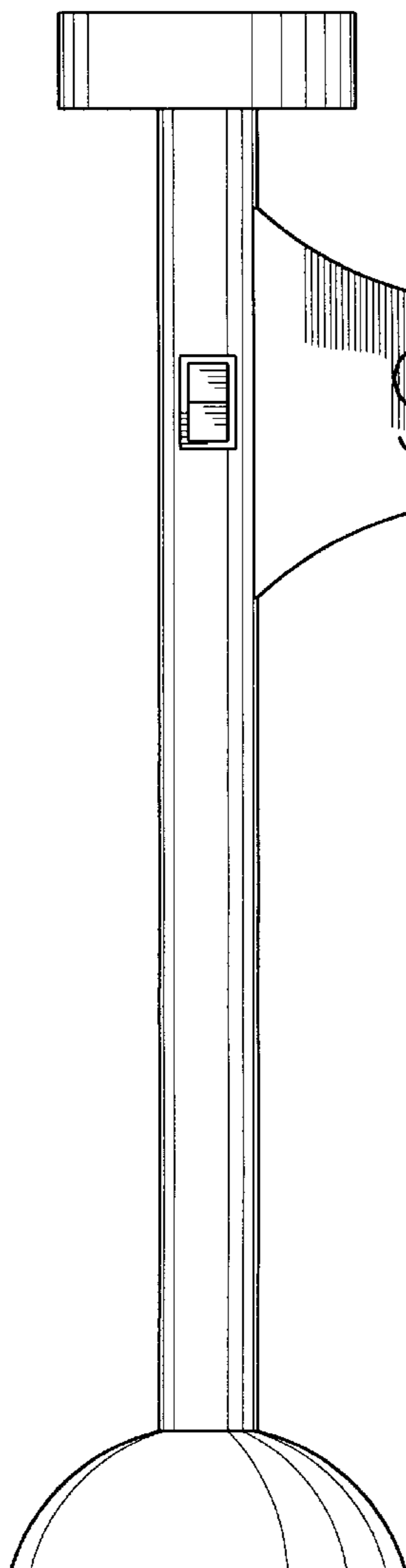
U.S. PATENT DOCUMENTS

- D. 265,468 7/1982 Yeager D10/109
- D. 316,829 5/1991 Davis D10/109
- D. 340,203 10/1993 Popp et al. D10/109
- D. 340,418 10/1993 Popp et al. D10/109

FIG. 5 is a top plan view of the emergency vehicle signal of FIG. 1; and,

FIG. 6 is a bottom plan view of the emergency vehicle signal of FIG. 1.

1 Claim, 3 Drawing Sheets



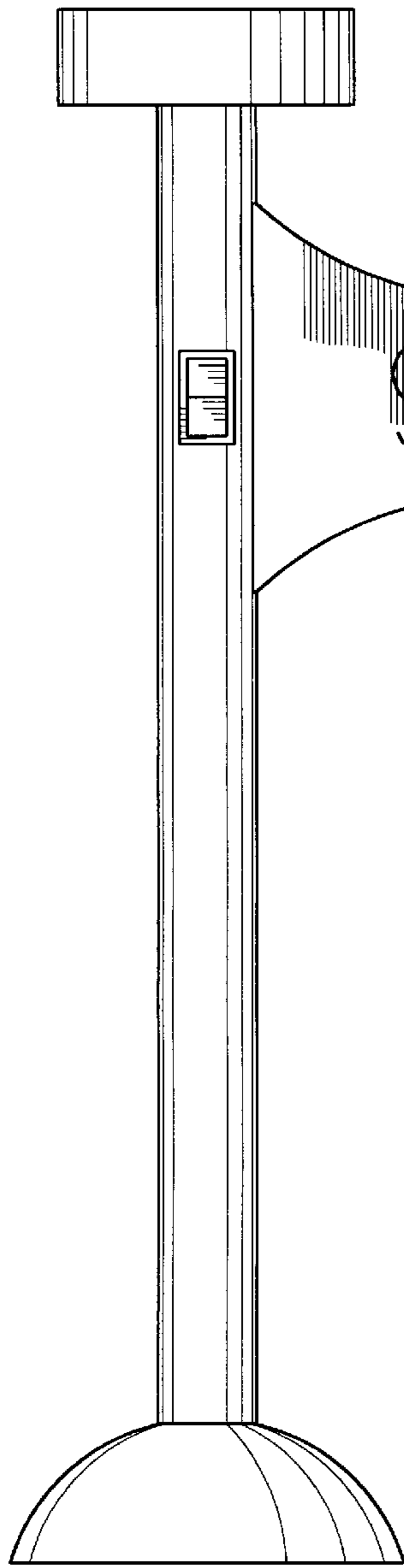


Fig. 1

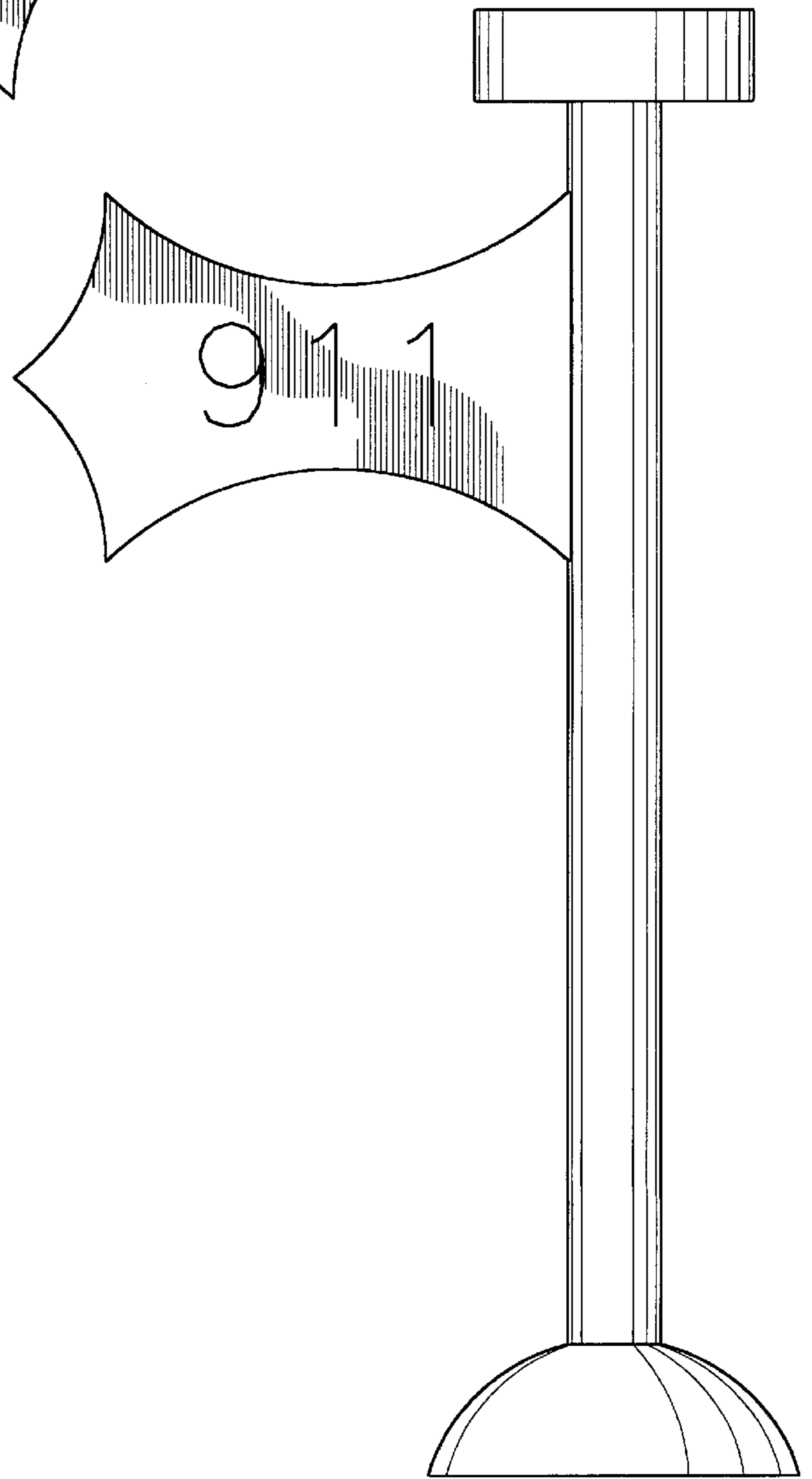


Fig. 2

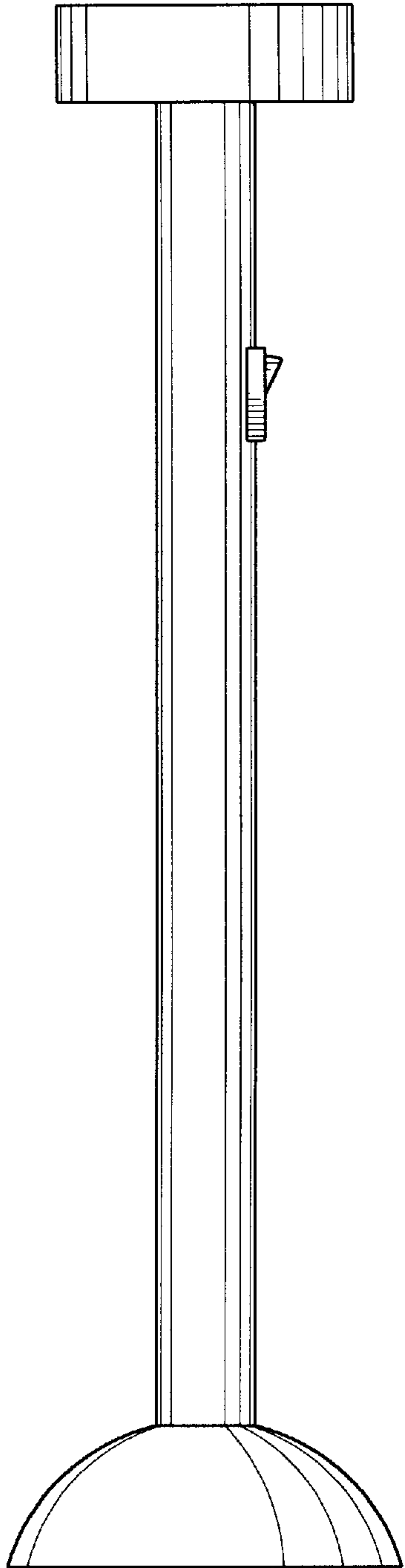


Fig. 3

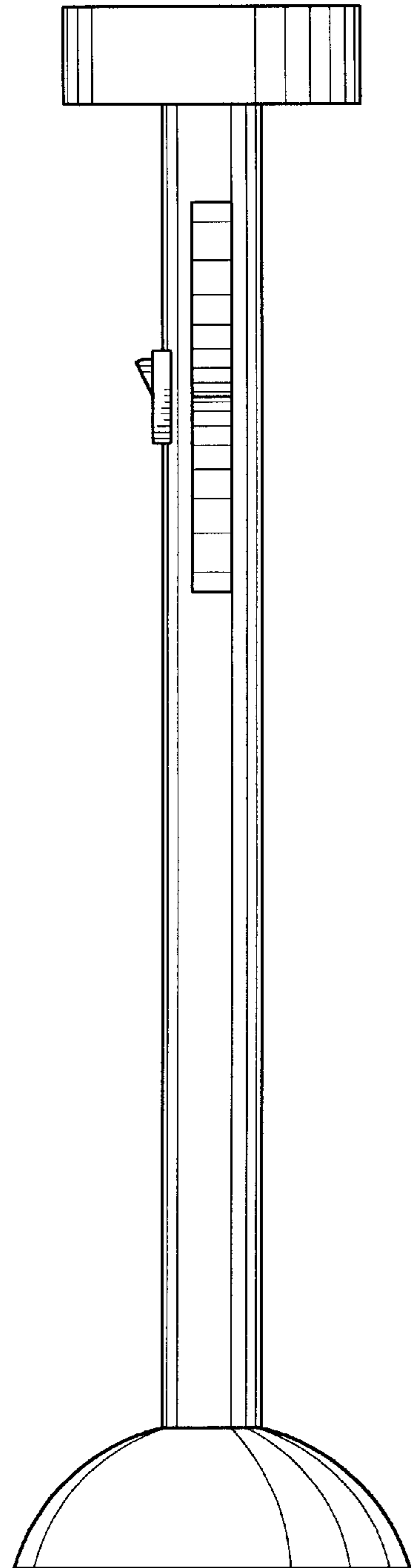


Fig. 4

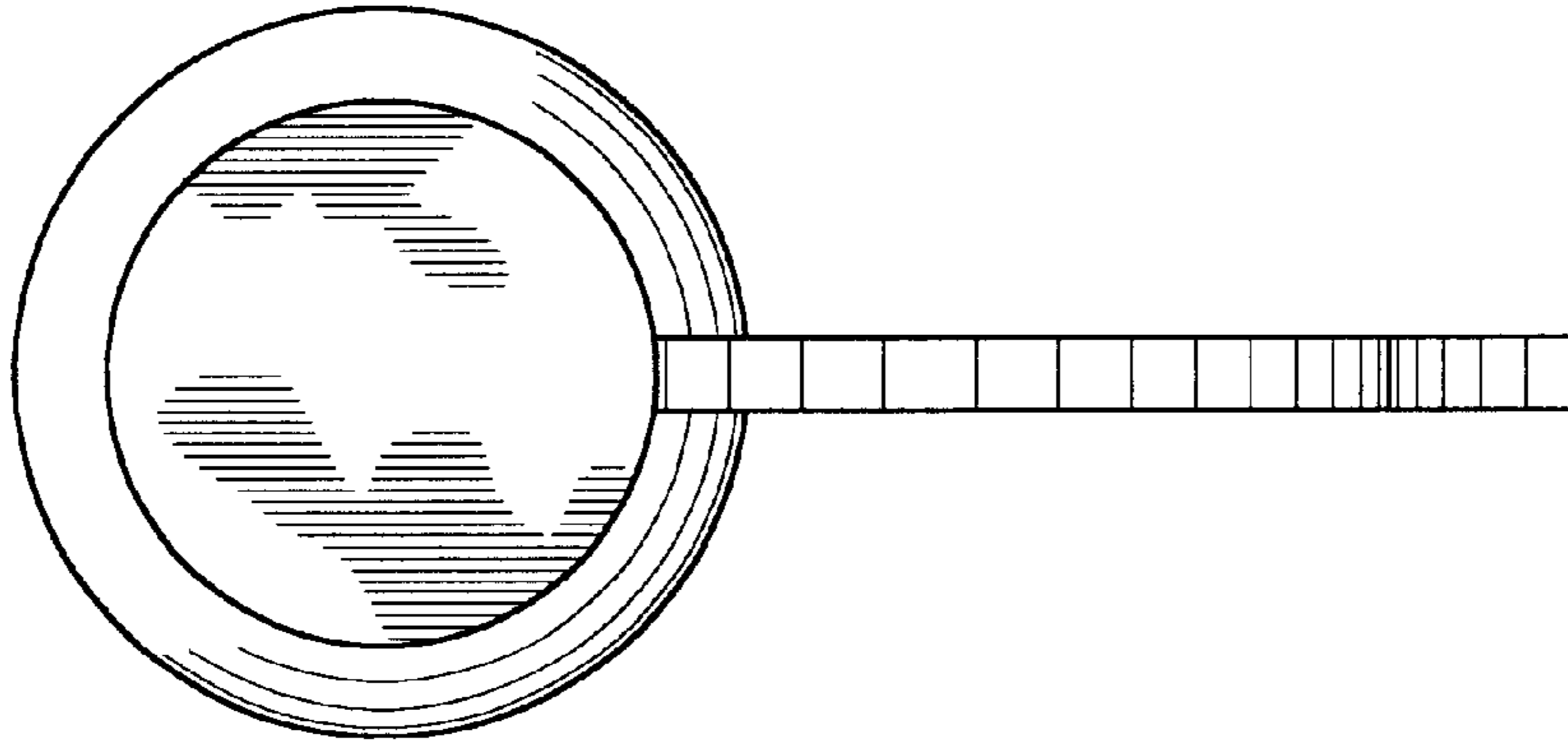


Fig. 5

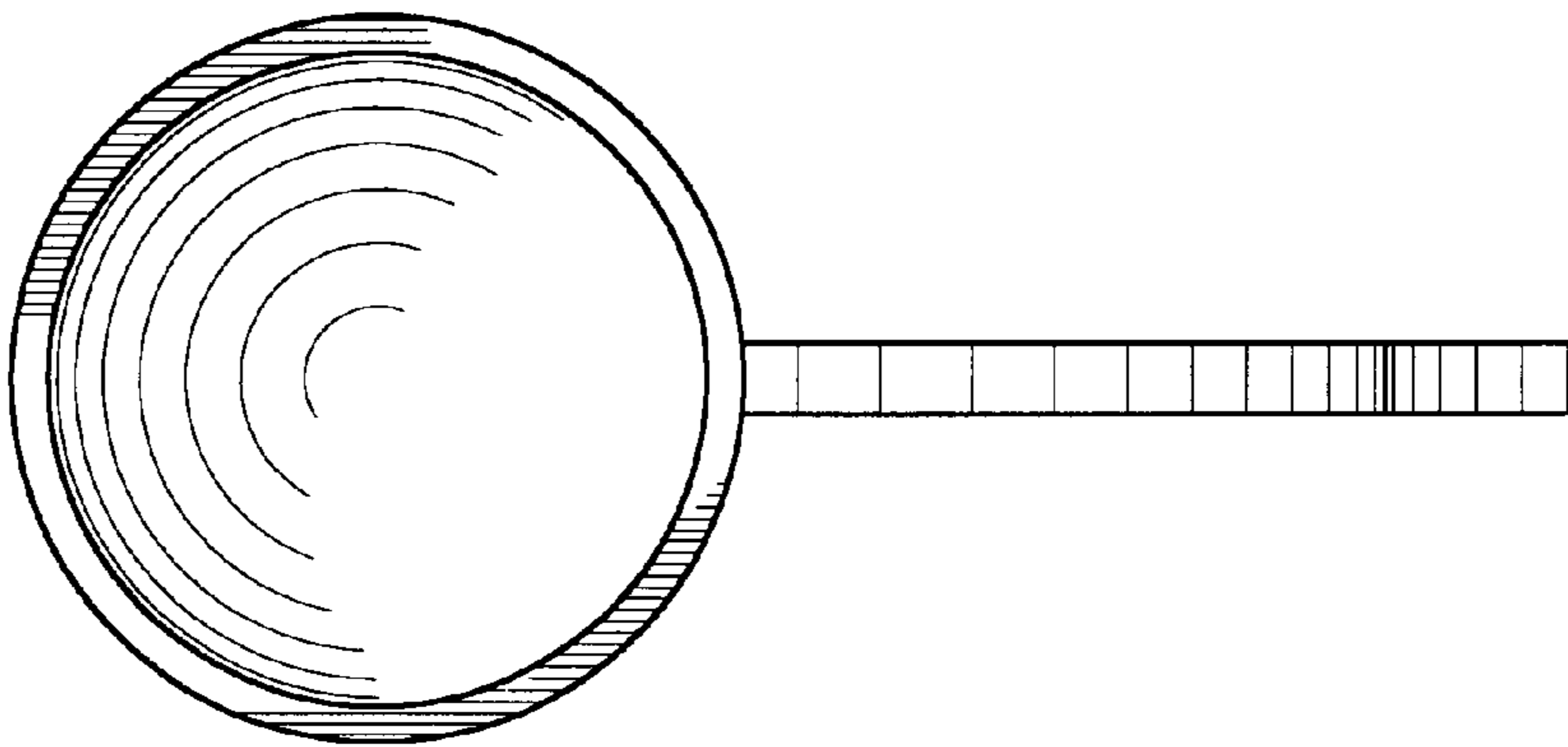


Fig. 6