



US00D410586S

United States Patent [19]
Olsen

[11] **Patent Number: Des. 410,586**

[45] **Date of Patent: ** Jun. 8, 1999**

[54] **FIRE DETECTOR**

[76] Inventor: **Kurt-Are Olsen**, Mjølanvn. 44,
Moirana, Norway, N-8600

[**] Term: **14 Years**

[21] Appl. No.: **29/086,441**

[22] Filed: **Apr. 13, 1998**

[30] **Foreign Application Priority Data**

Oct. 15, 1997 [NO] Norway 970703

[51] **LOC (6) Cl.** **10-05**

[52] **U.S. Cl.** **D10/106**

[58] **Field of Search** D10/104, 106,
D10/116, 121; 340/540, 545, 571, 572,
573, 627, 628, 629, 630

[56] **References Cited**

U.S. PATENT DOCUMENTS

D. 382,217 8/1997 Akiyama et al. D10/106

D. 387,297 12/1997 Kawabata D10/106
D. 390,797 2/1998 Yao et al. D10/106
D. 391,185 2/1998 Tomizawa D10/106

Primary Examiner—Marcus A. Jackson
Attorney, Agent, or Firm—Andrus, Scales, Starke &
Sawall

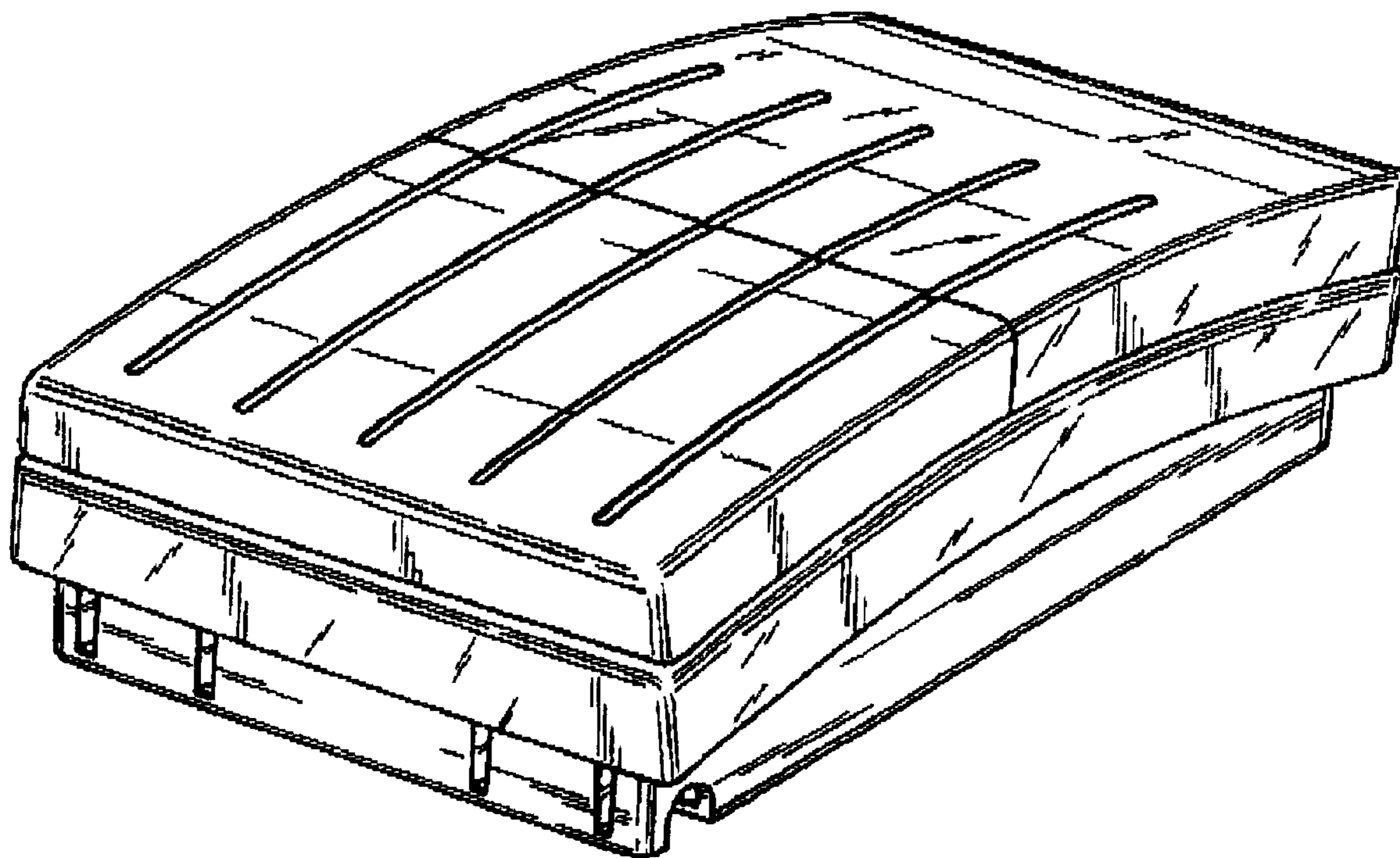
[57] **CLAIM**

I claim the ornamental design for fire detector, as shown.

DESCRIPTION

FIG. 1 is a perspective view of fire detector exhibiting the design of my invention;
FIG. 2 is a left side view of the fire detector;
FIG. 3 is a front view of the fire detector;
FIG. 4 is a bottom view of the fire detector;
FIG. 5 is a right side view of the fire detector;
FIG. 6 is a top view of the fire detector; and,
FIG. 7 is a rear view of the fire detector.

1 Claim, 3 Drawing Sheets



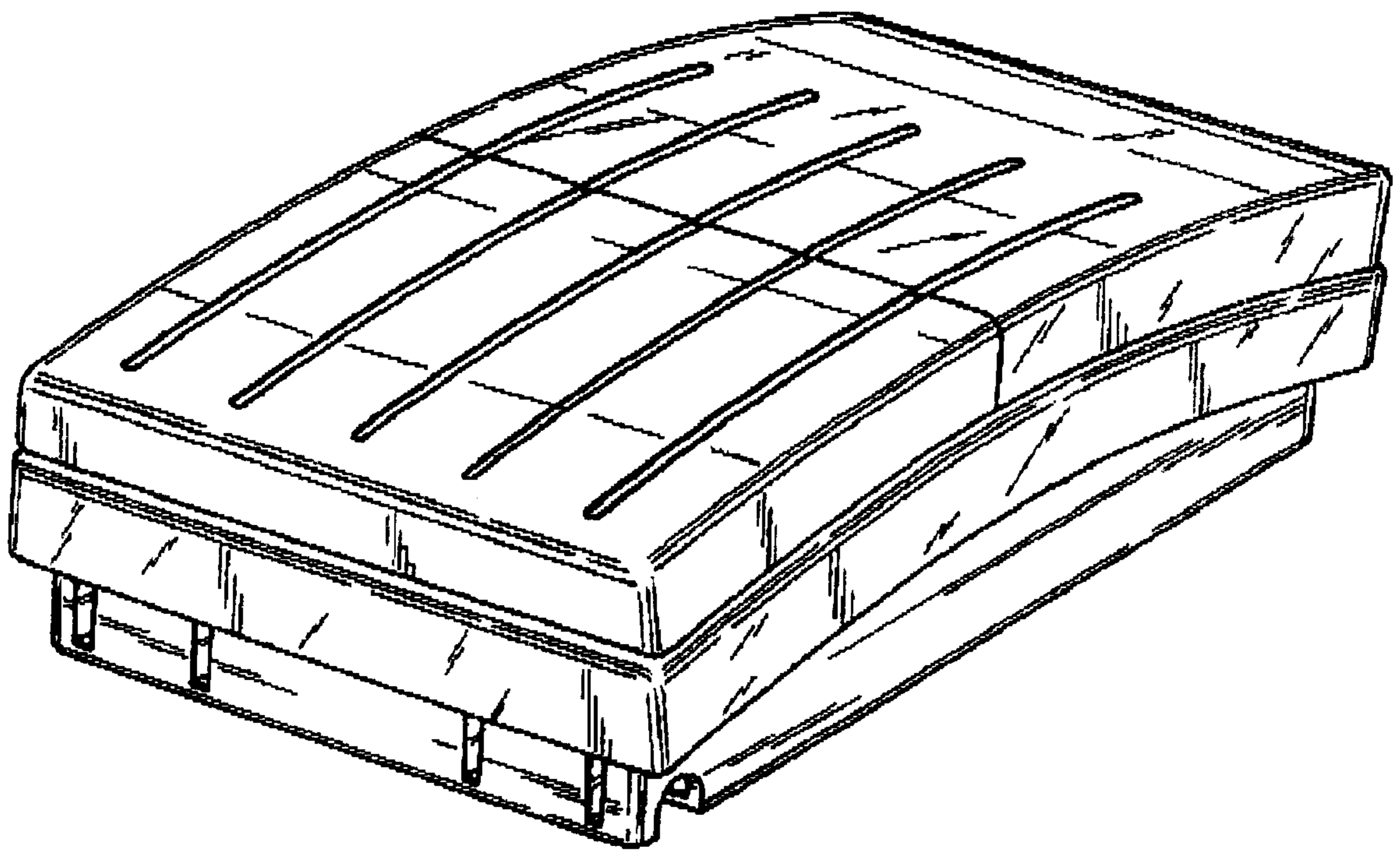


FIG. 1

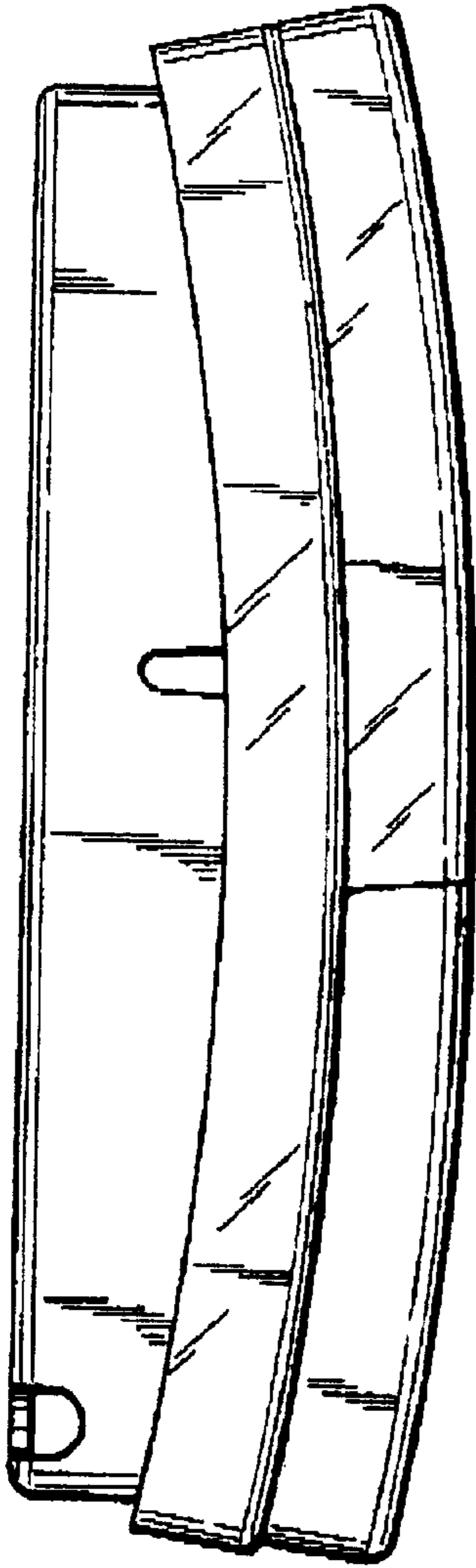


FIG. 2

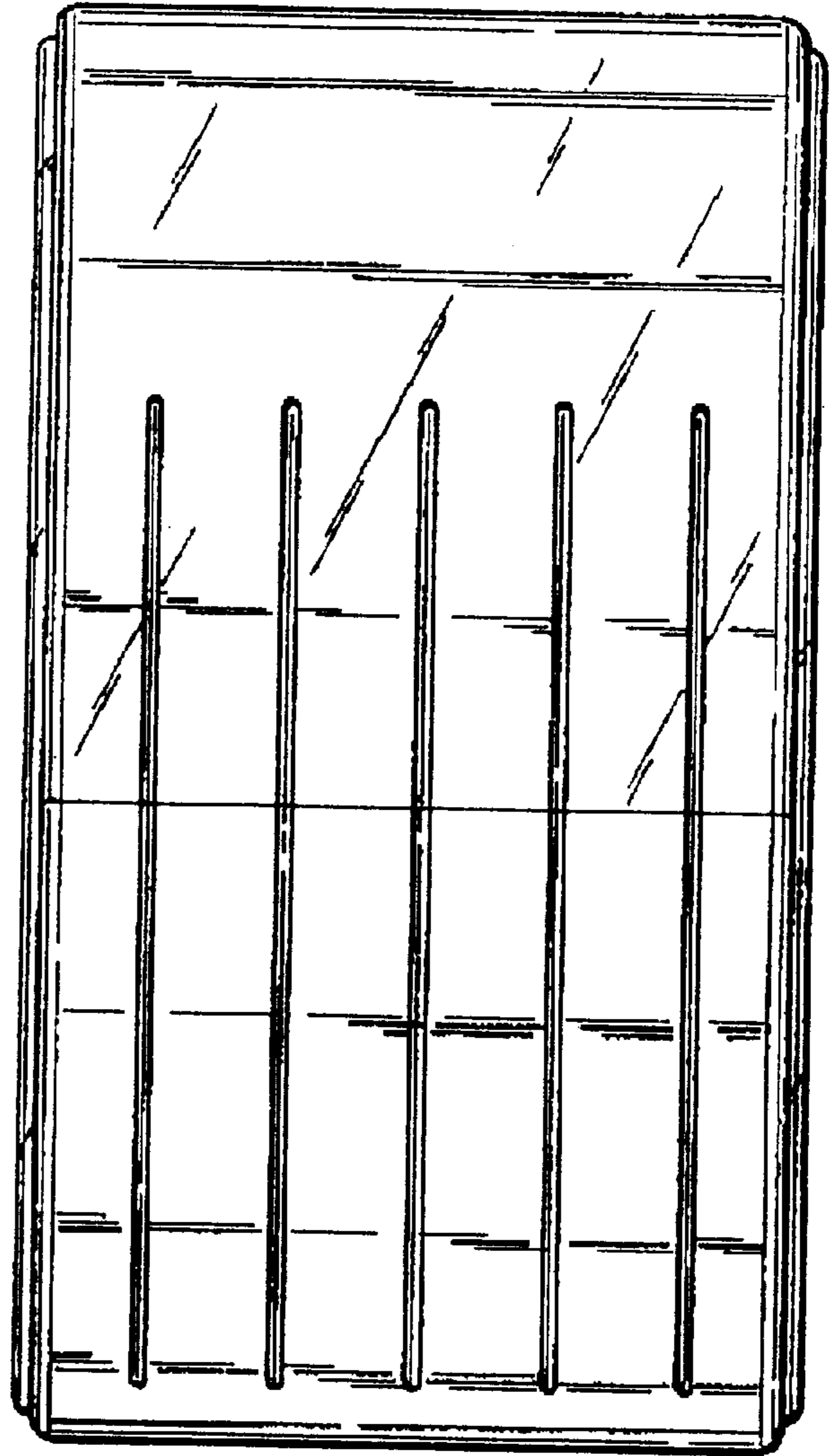


FIG. 3

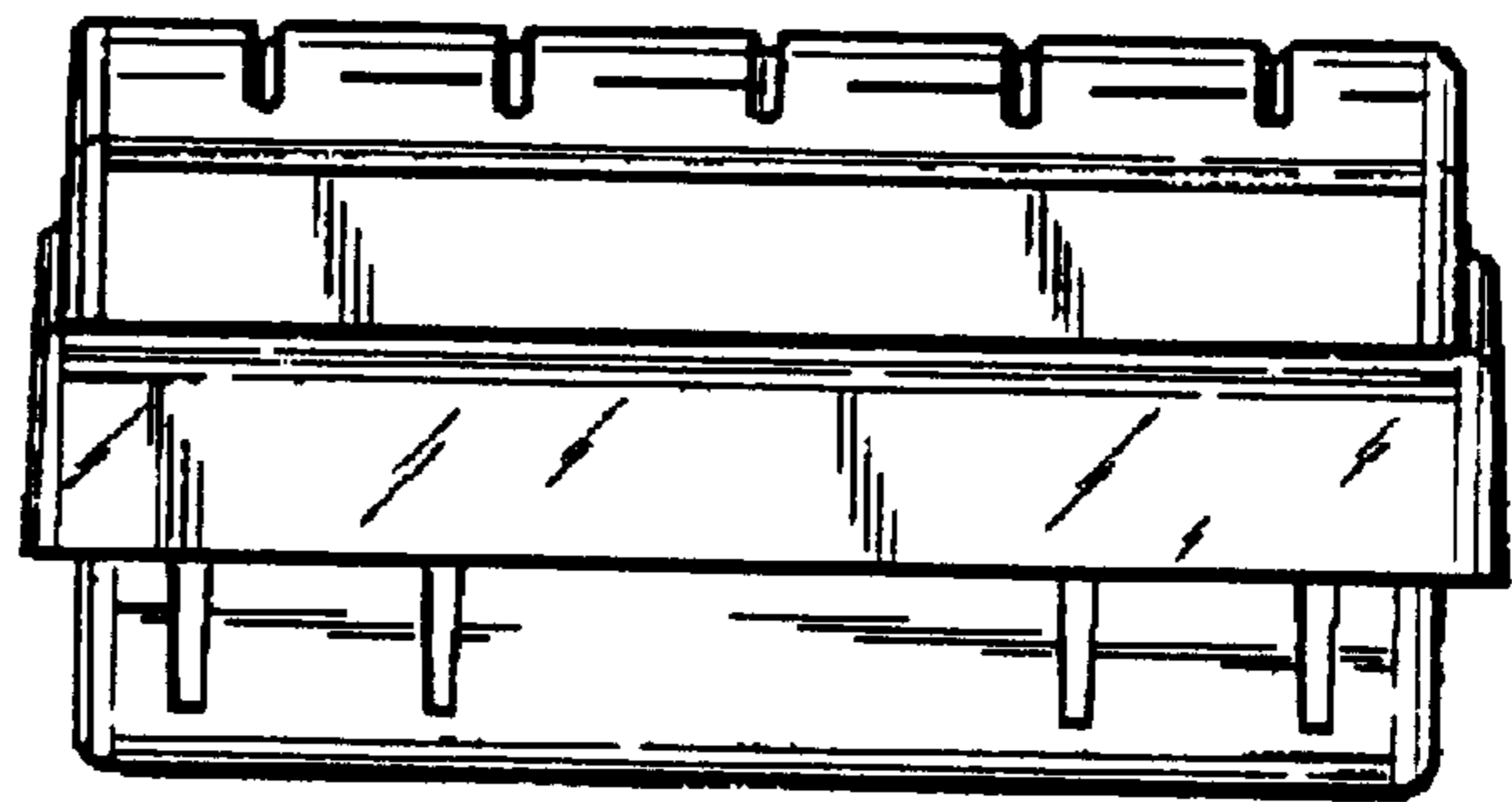


FIG. 4

FIG. 6

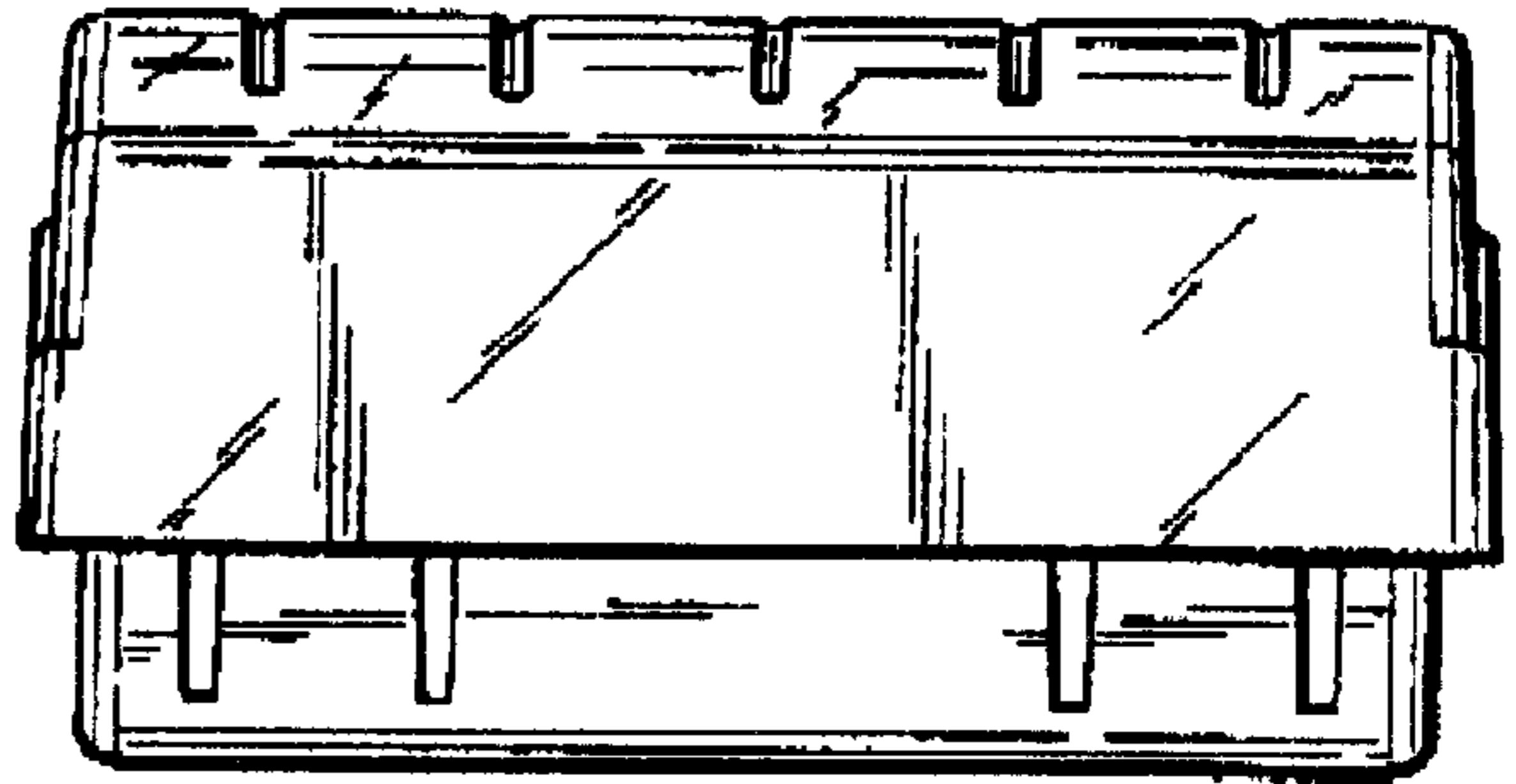


FIG. 5

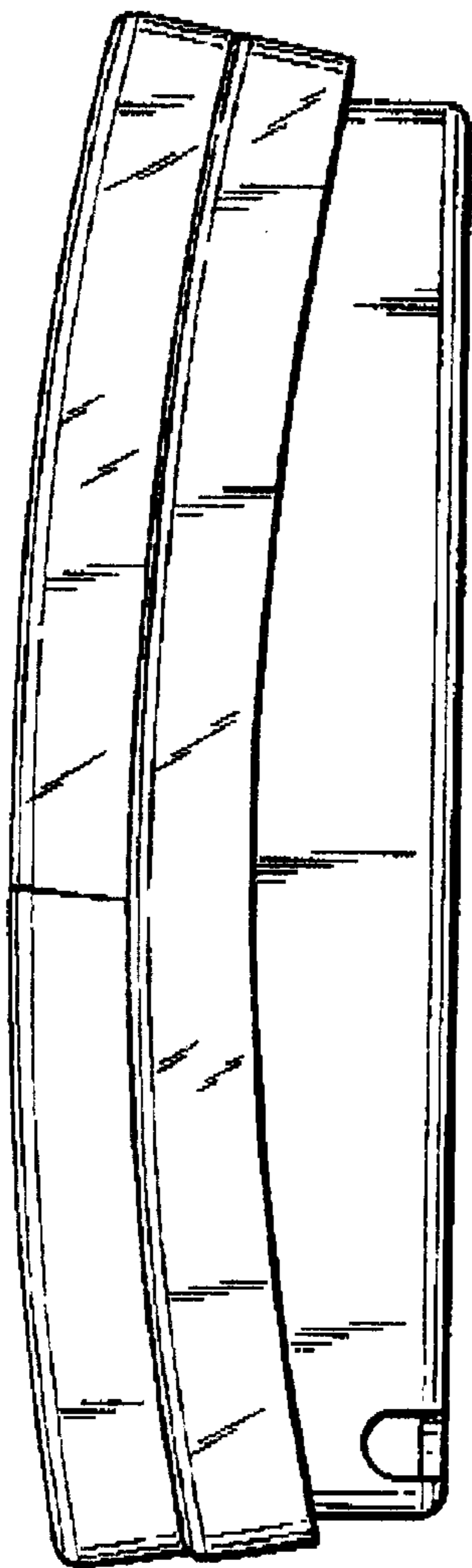


FIG. 7

