



US00D410577S

United States Patent [19]
Ciphers, Sr.

[11] **Patent Number: Des. 410,577**
[45] **Date of Patent: ** Jun. 1, 1999**

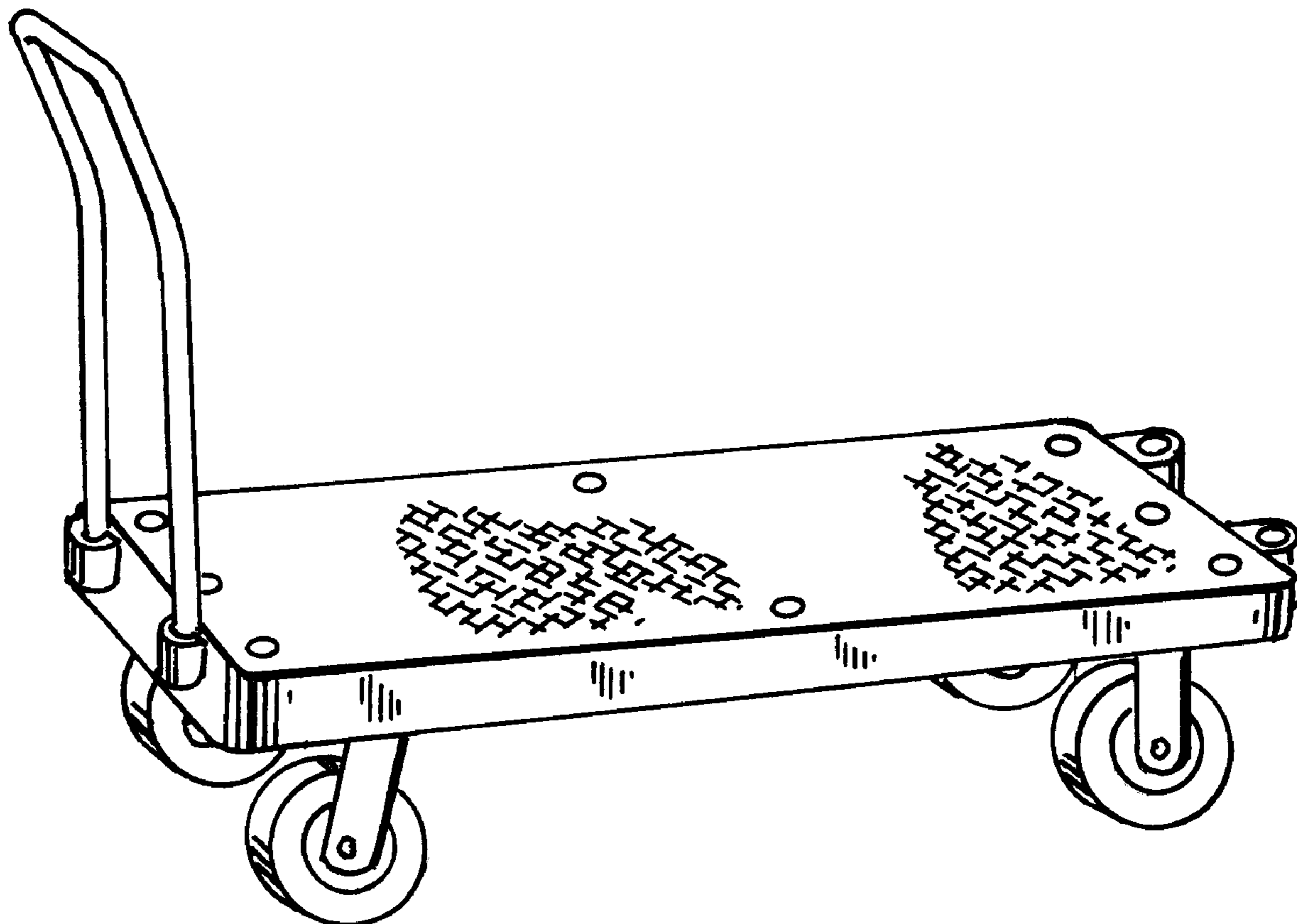
[54] **CART**
[75] Inventor: **Russell Ciphers, Sr.**, Huron, Ohio
[73] Assignee: **R.B. Mfg. Co.**, Sandusky, Ohio
[**] Term: **14 Years**
[21] Appl. No.: **29/091,382**
[22] Filed: **Jul. 29, 1998**
[51] **LOC (6) Cl.** **12-02**
[52] **U.S. Cl.** **D34/17; D34/12**
[58] **Field of Search** D34/12-27; 280/47.11,
280/47.16, 47.24, 47.27, 47.19, 47.34, 79.11,
47.18

[56] **References Cited**
U.S. PATENT DOCUMENTS
D. 396,918 8/1998 Golichowski et al. D34/12
OTHER PUBLICATIONS
Plastics Catalog, from Consolidated Plastics Company, Inc.,
pp. 2B, 66, 67, 70, and 71 (c1998).
Primary Examiner—Kay H. Chin

Attorney, Agent, or Firm—Vickers, Daniels & Young
[57] **CLAIM**
The ornamental design for a cart, as shown and described.

DESCRIPTION
FIG. 1 is a perspective view of the cart showing my new design;
FIG. 2 is a side elevational view thereof;
FIG. 3 is a front elevational view thereof;
FIG. 4 is a rear elevational view thereof;
FIG. 5 is a top plan view thereof;
FIG. 6 is an enlarged bottom plan view thereof without casters;
FIG. 7 is a perspective view thereof with side rails;
FIG. 8 is a perspective view thereof with dual handles and a central divider;
FIG. 9 is a perspective view thereof with both dual handles and side rails; and,
FIG. 10 is a perspective view thereof with side rails and a longitudinal central divider.

1 Claim, 4 Drawing Sheets



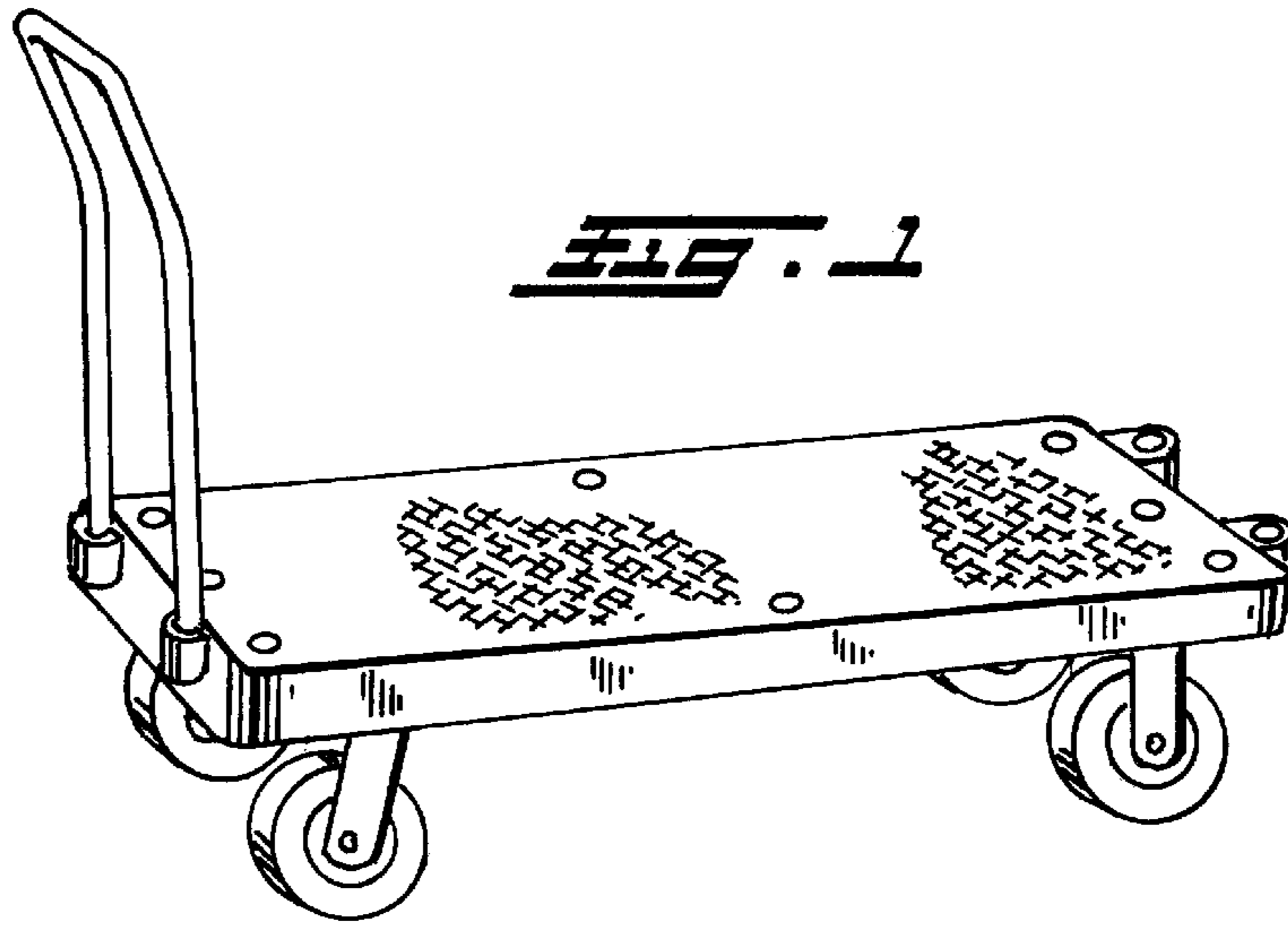


FIG. 1

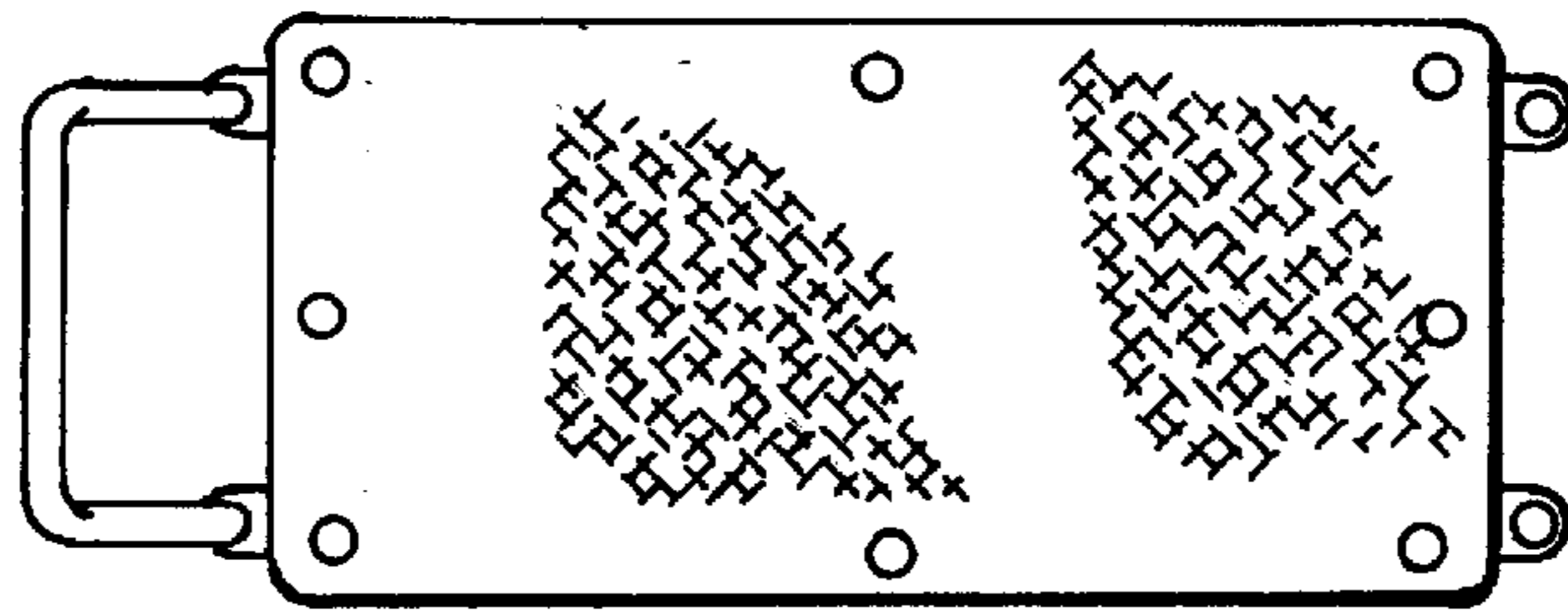


FIG. 2

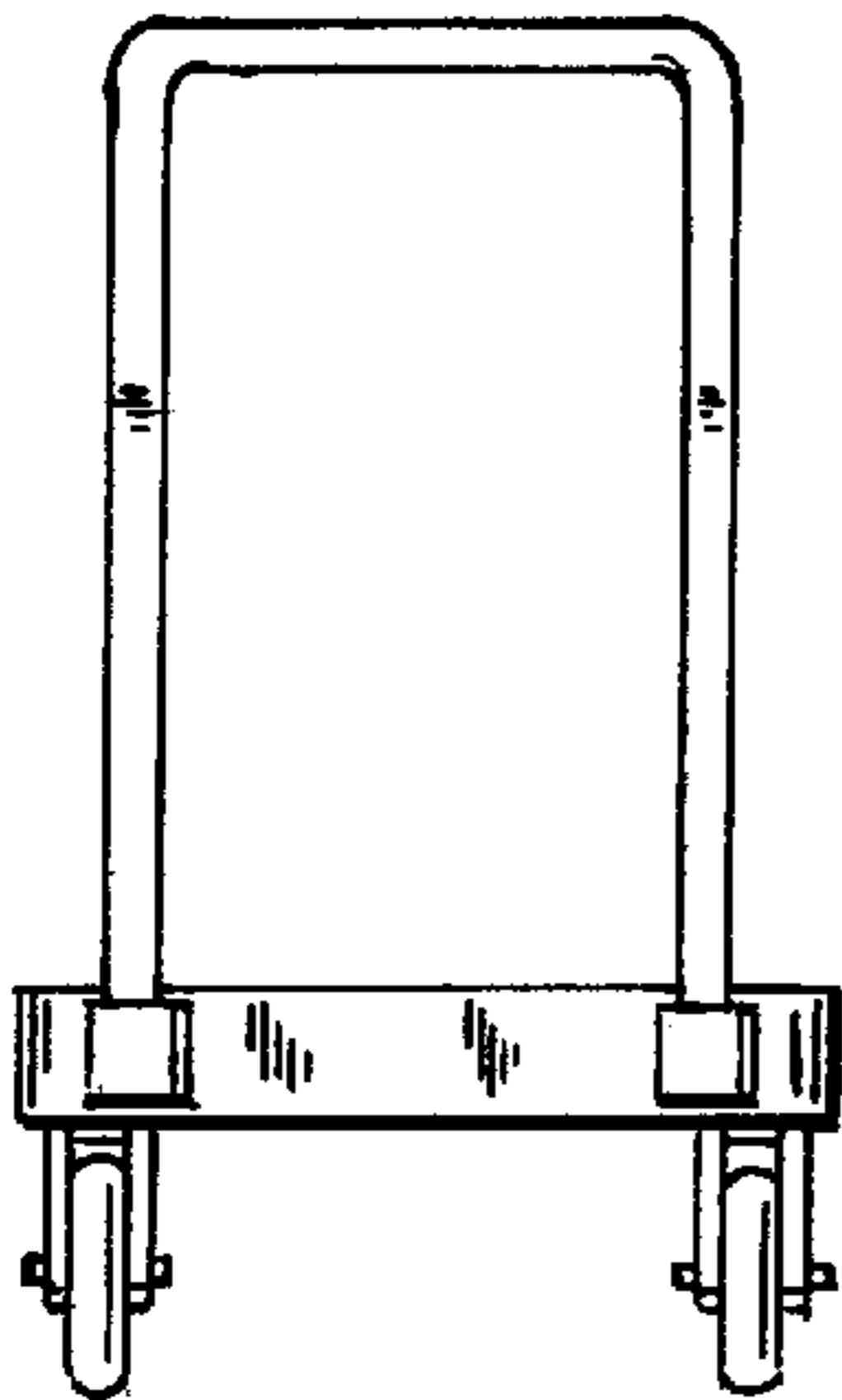


FIG. 3

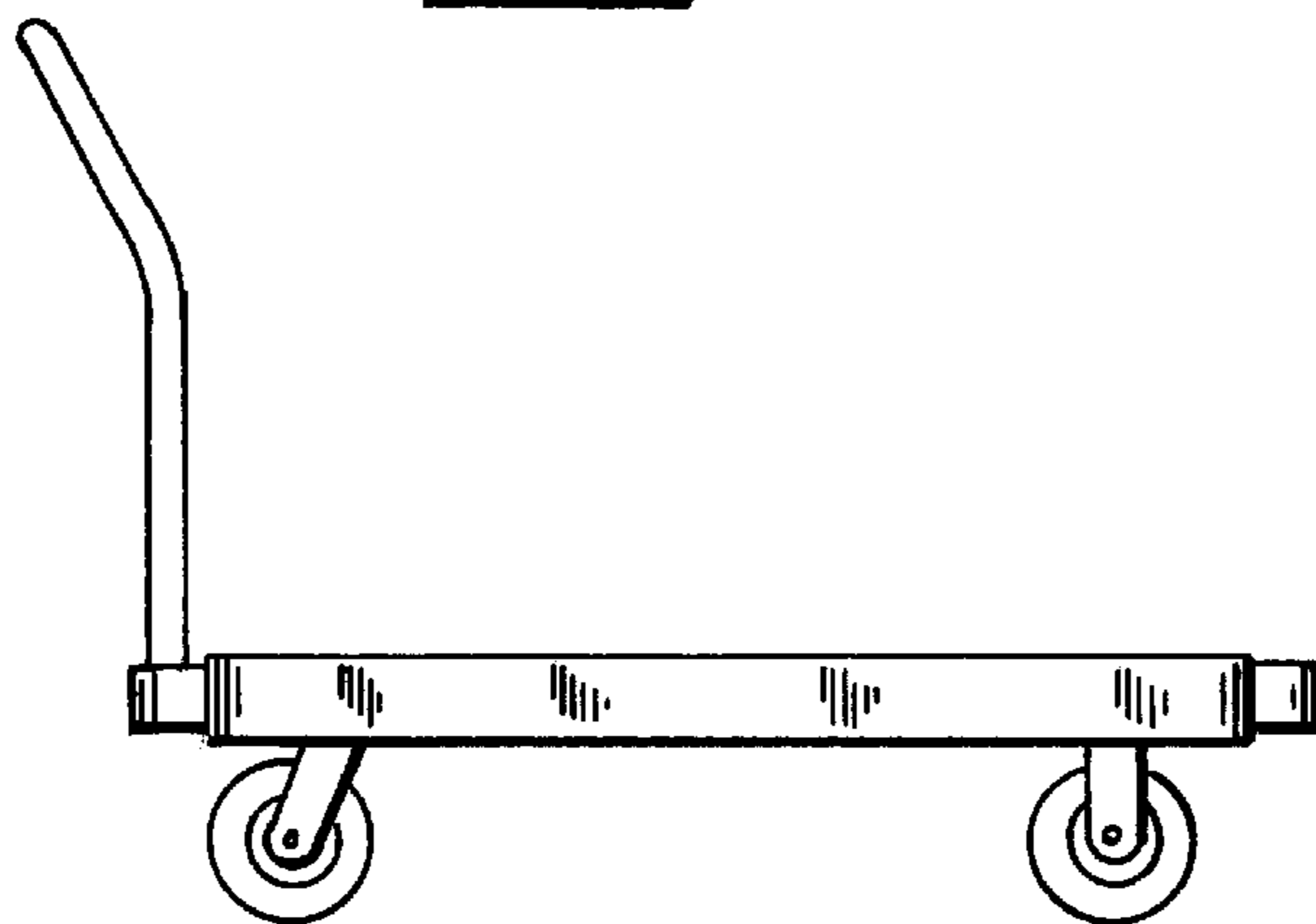


FIG. 4

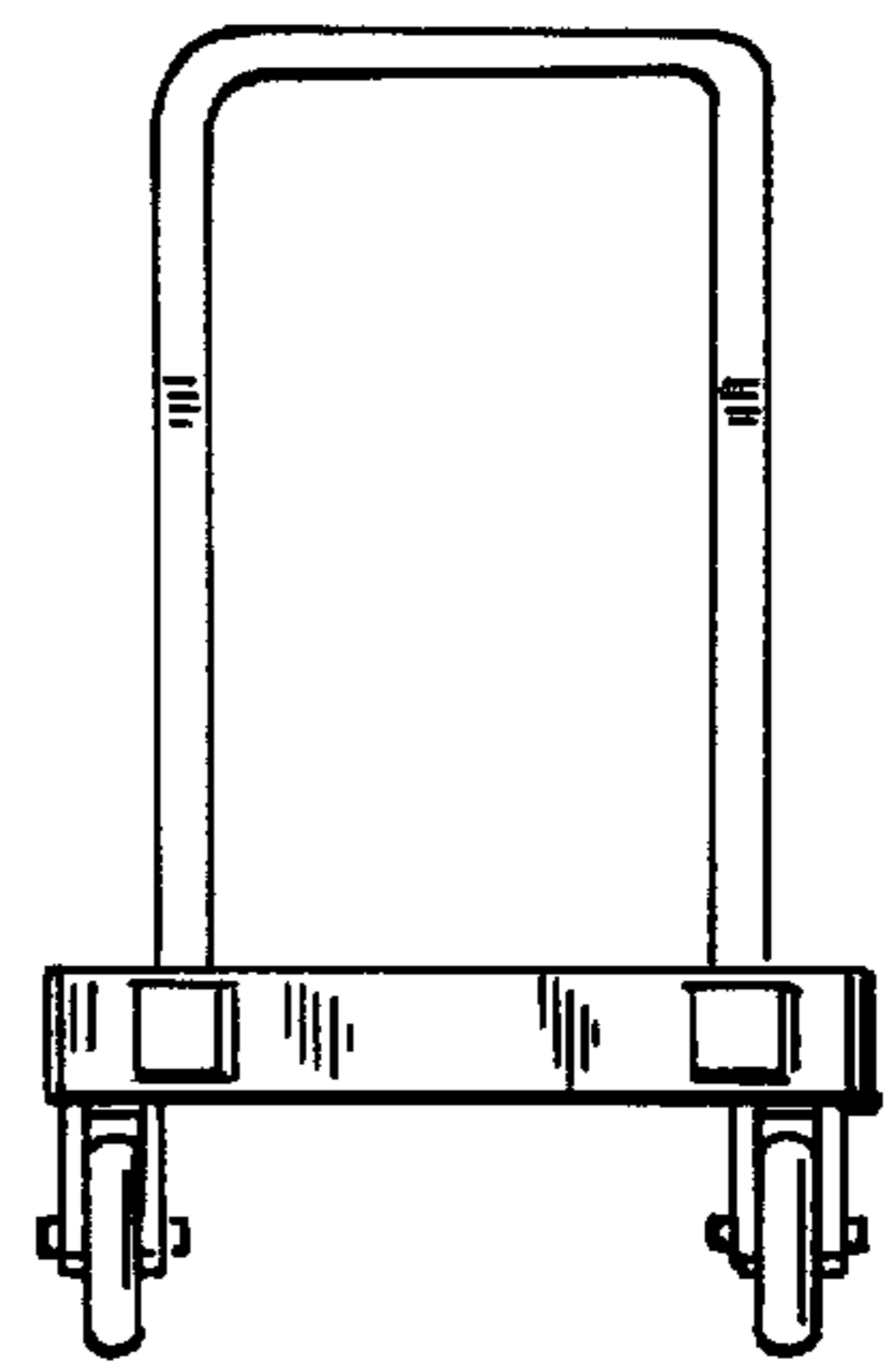


FIG. 5

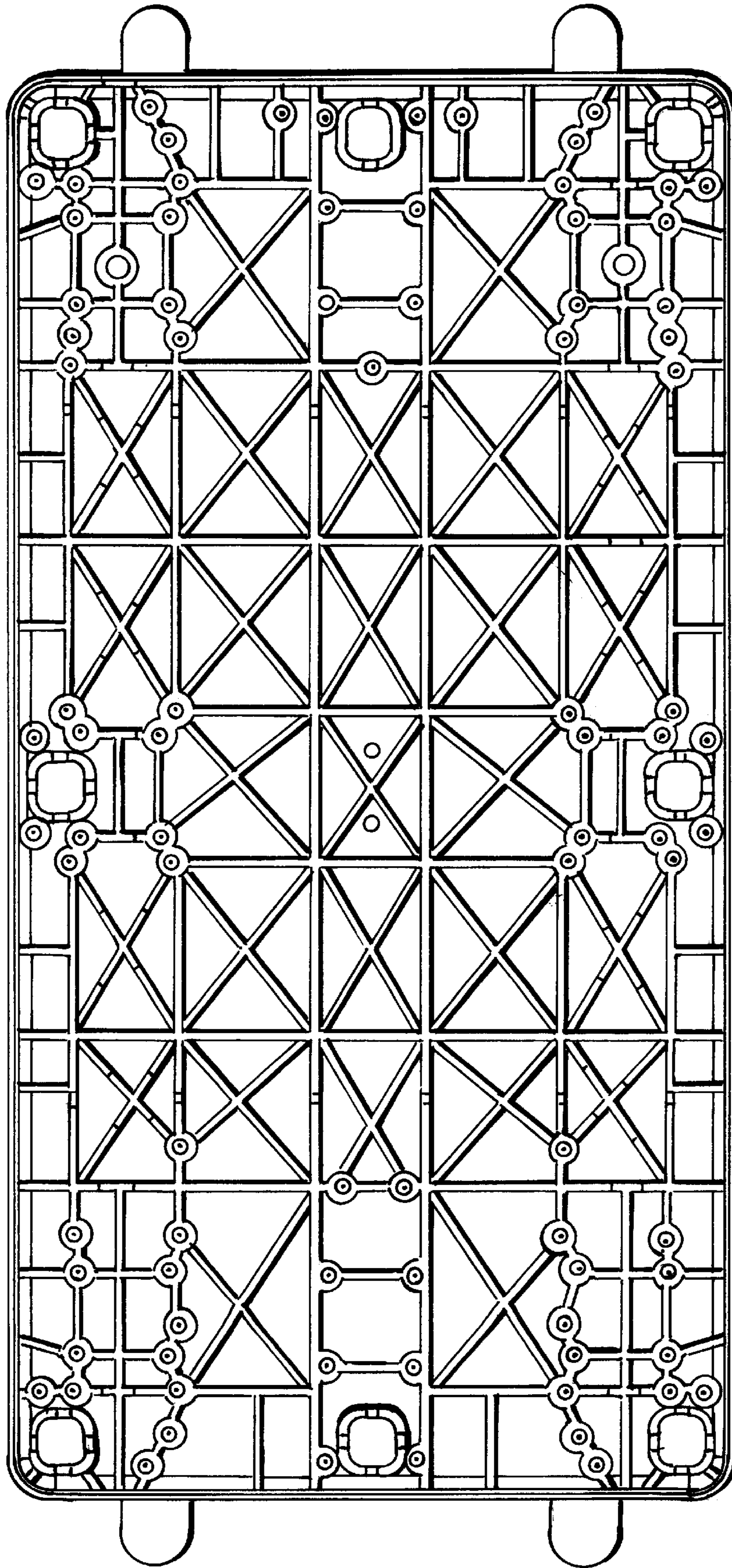


FIG. 2

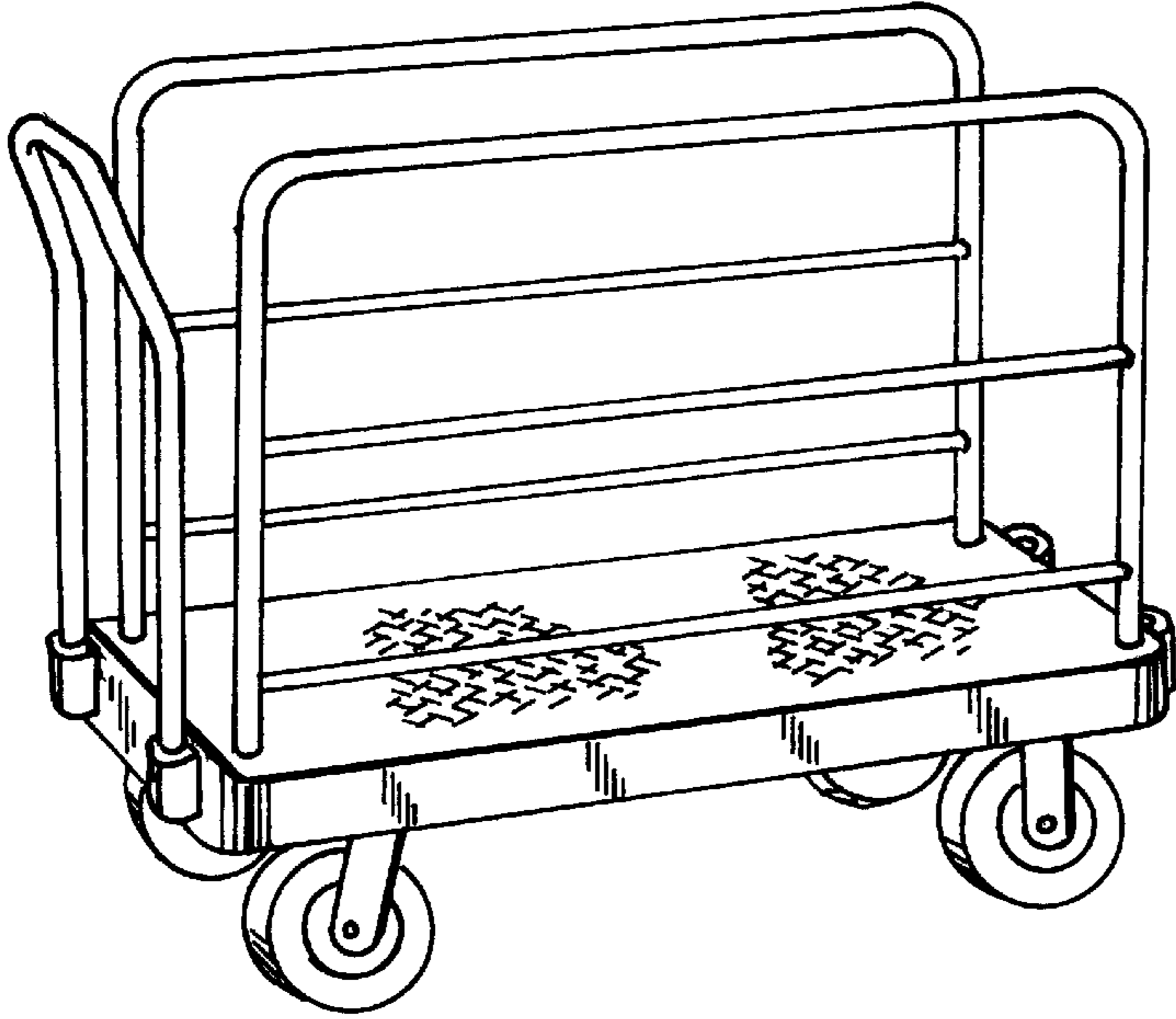


FIG. 7

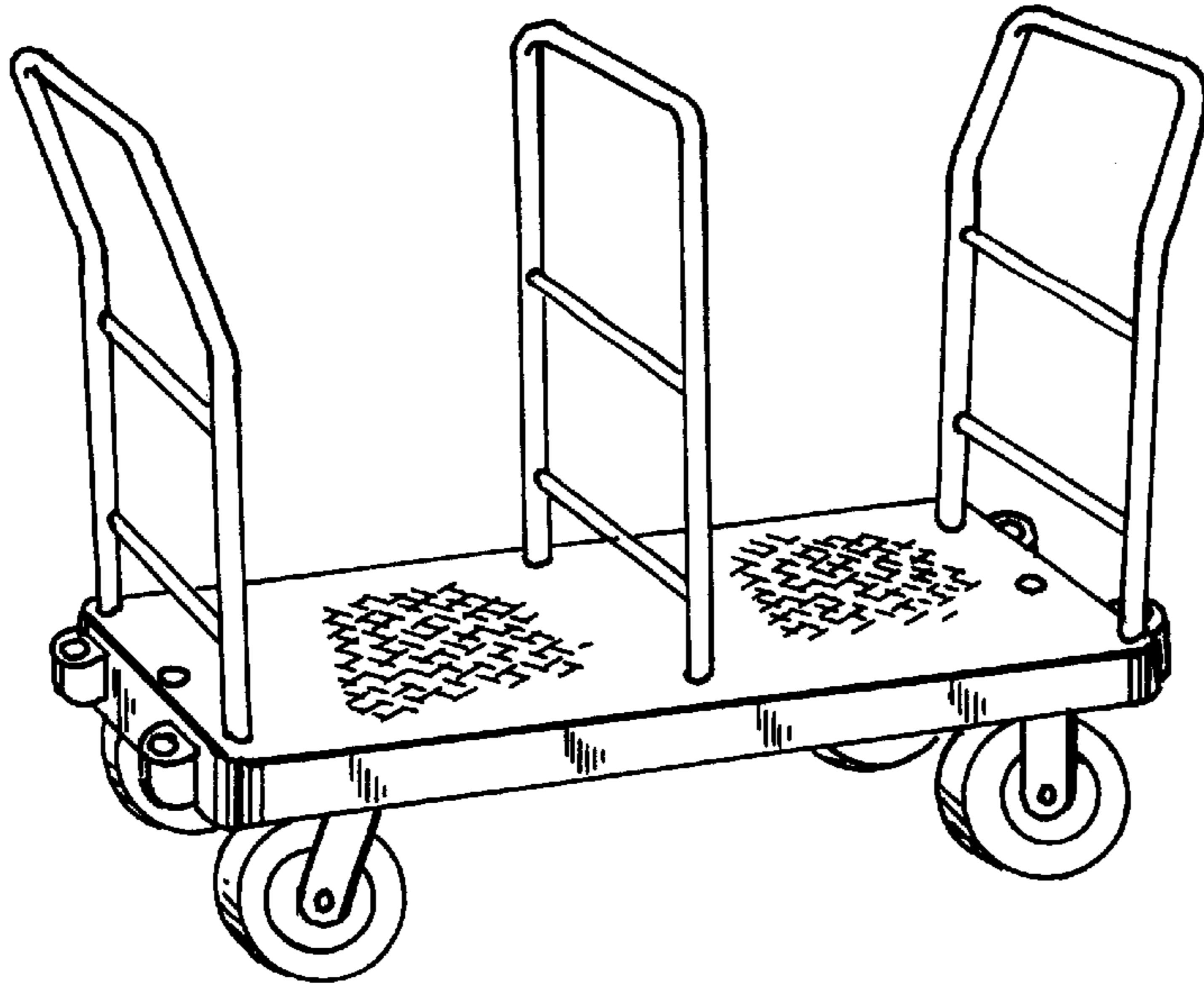


FIG. 8

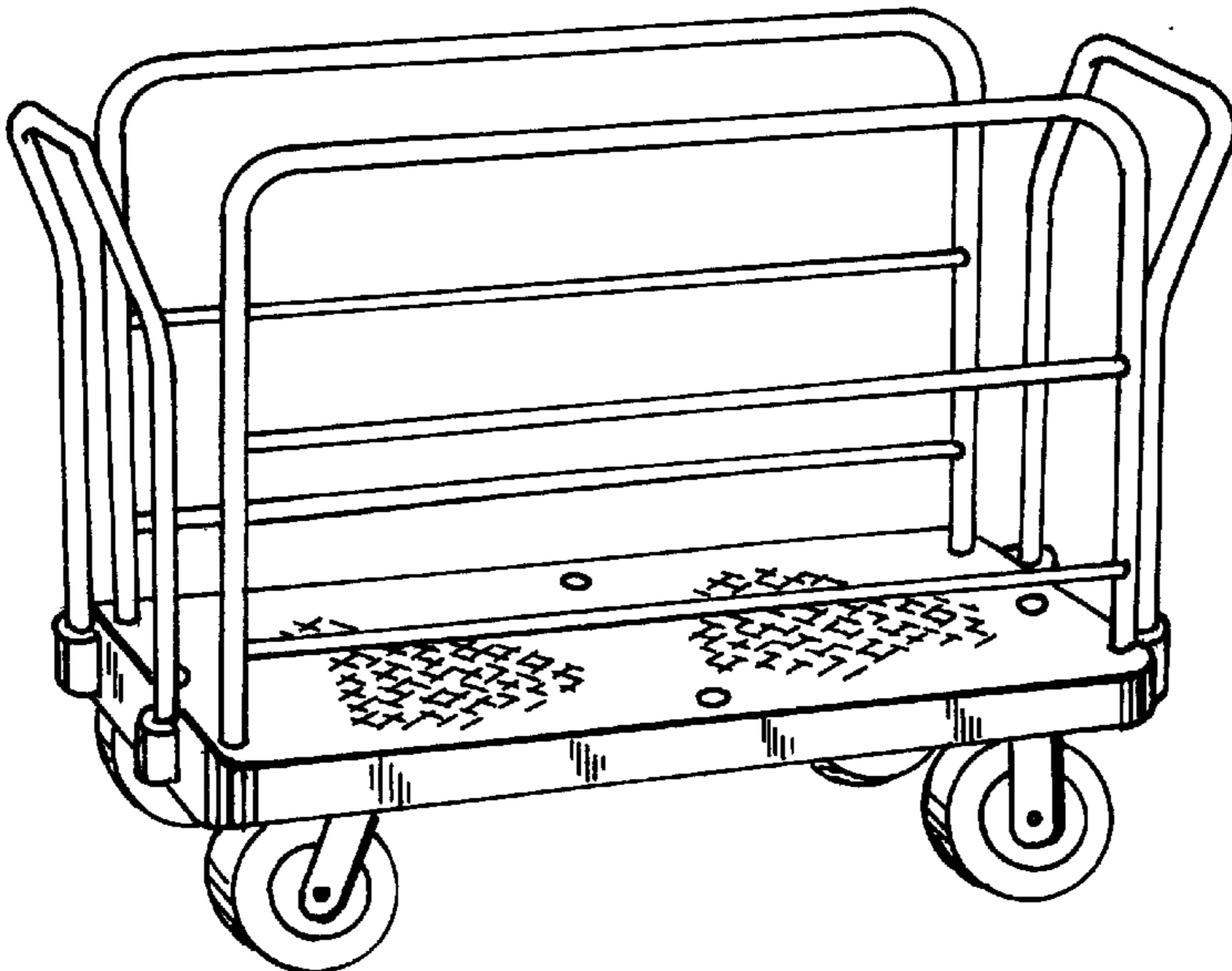


FIG. 9

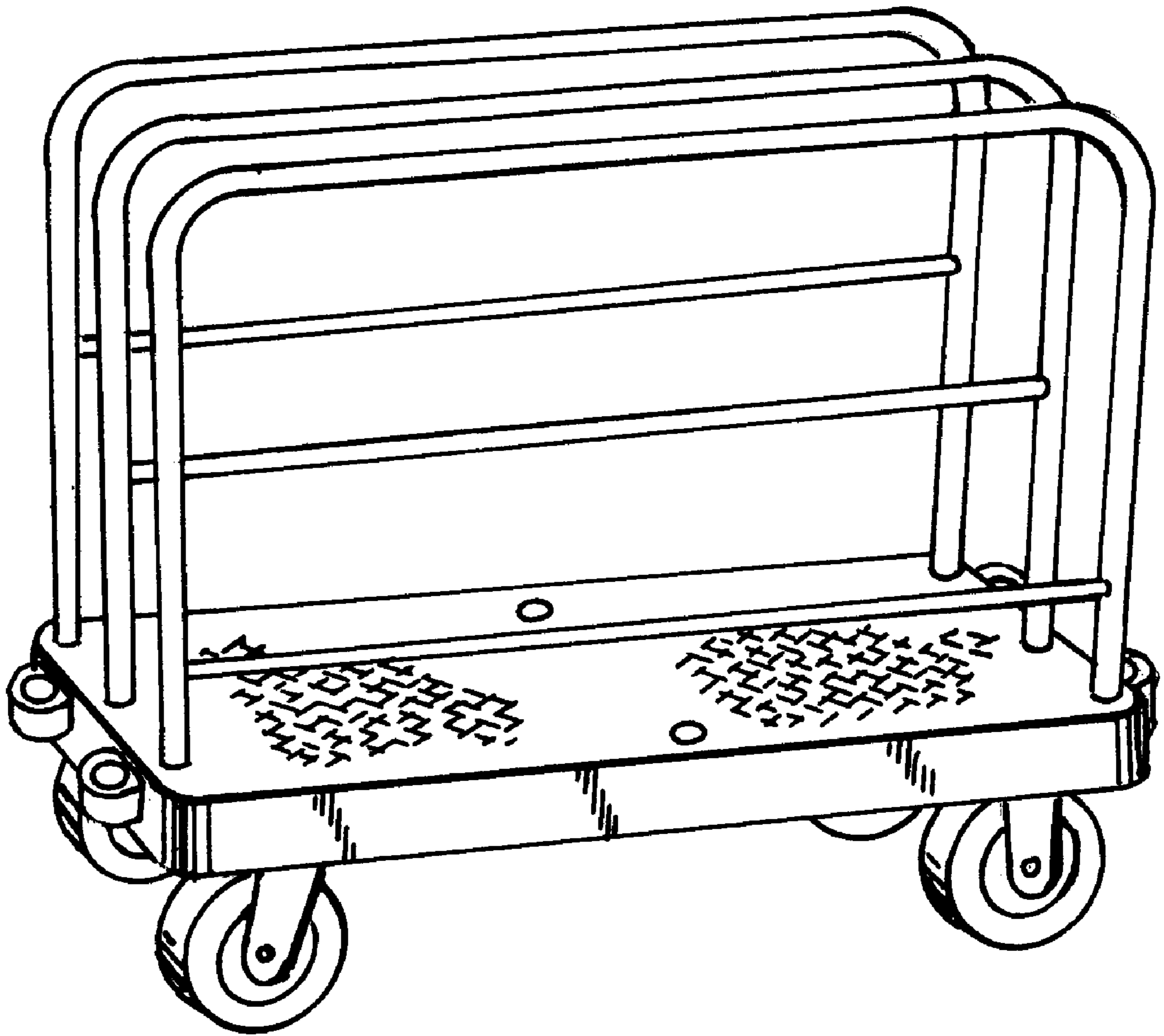


FIG. 10