



US00D410576S

United States Patent [19] Edwards

[11] **Patent Number: Des. 410,576**
[45] **Date of Patent: ** Jun. 1, 1999**

[54] **FLATWARE TRAP FOR WASTE CONTAINERS**
[76] Inventor: **Richard E. Edwards**, 7039 Island Village Dr., Long Beach, Calif. 90803
[**] Term: **14 Years**
[21] Appl. No.: **29/086,731**
[22] Filed: **Apr. 15, 1998**
[51] **LOC (6) Cl. 09-09**
[52] **U.S. Cl. D34/10**
[58] **Field of Search** D34/1-11; 220/908, 220/907, 911, 910; 209/570, 703, 698, 926, 941, 911, 606, 930; 241/81

4,480,753 11/1984 Thomas et al. 209/546
4,494,657 1/1985 Oldenkamp 209/636
4,632,253 12/1986 Stromgren et al. 209/570
4,706,818 11/1987 Zutell et al. 209/636
4,782,970 11/1988 Edwards 220/1 R
5,538,143 7/1996 Edwards 209/698
5,797,497 8/1998 Edwards 209/570

FOREIGN PATENT DOCUMENTS

2547474 5/1977 Germany .
2610272 9/1977 Germany .
2944192 5/1981 Germany .
3208533 11/1982 Germany .

Primary Examiner—Susan J. Lucas
Assistant Examiner—Cynthia E Ramirez
Attorney, Agent, or Firm—Stetina Brunda Garred & Brucker

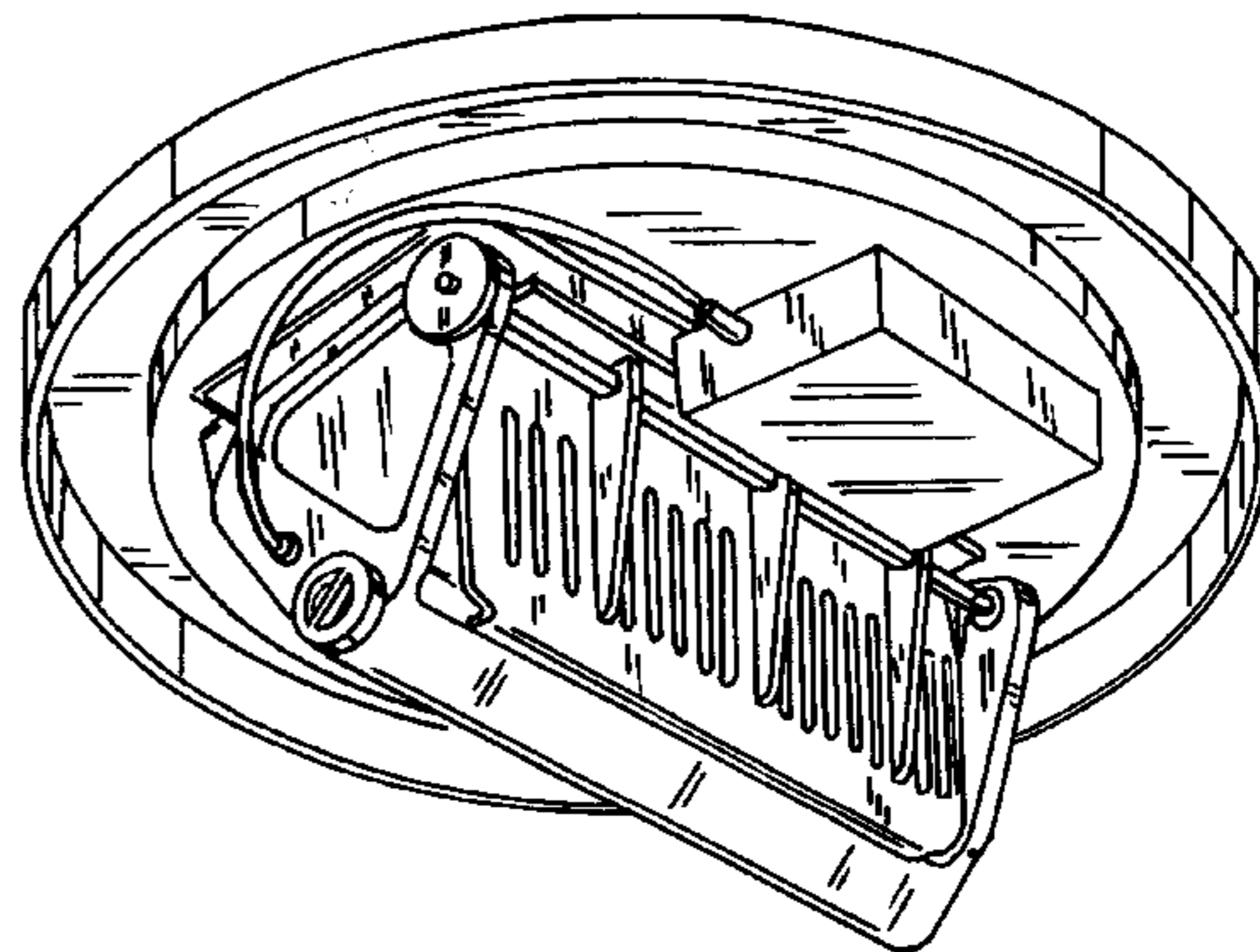
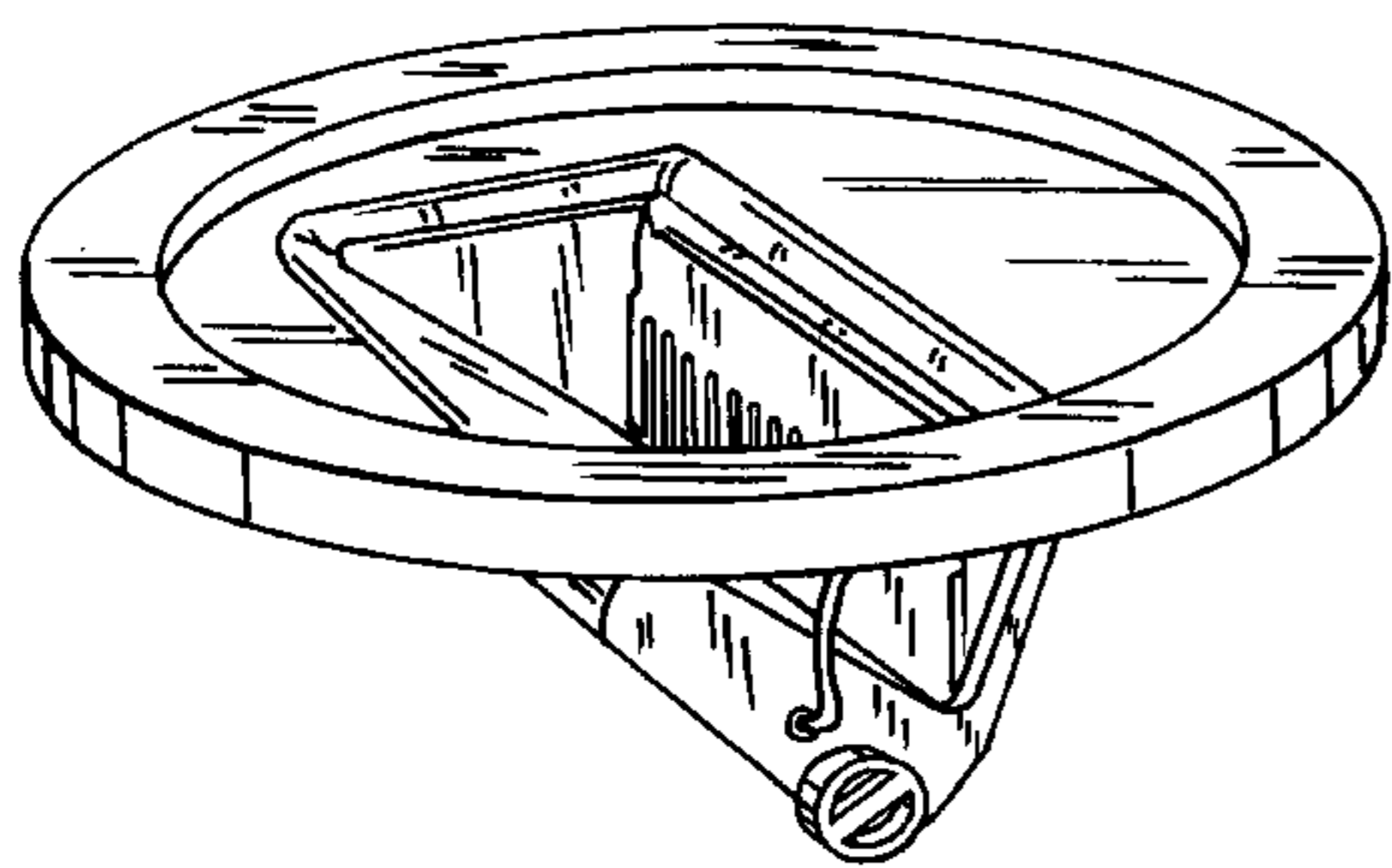
[56] **References Cited**
U.S. PATENT DOCUMENTS
1,138,889 5/1915 Rand .
1,212,321 1/1917 Buchholz 209/570
1,930,108 10/1933 Reeder 209/228
2,587,158 2/1952 Hofberg 209/81
2,698,450 1/1955 Mack 15/121.1
2,869,795 1/1959 Higer 241/301
3,157,904 11/1964 Flodell 15/511
3,283,899 11/1966 Vedvik et al. 209/111.8
3,301,397 1/1967 Stutz 209/73
3,394,806 7/1968 Vaillatte 209/111.9
3,877,577 4/1975 Richard 209/73
3,938,533 2/1976 Richard 134/63
4,171,262 10/1979 Lattmann et al. 209/555
4,203,537 5/1980 McAlister 222/570
4,279,744 7/1981 Antonwitsch 209/214
4,367,138 1/1983 Kustas 209/224

[57] **CLAIM**
The ornamental design for a flatware trap for waste containers, as shown and described.

DESCRIPTION

FIG. 1 is a top perspective view of the flatware trap for waste containers of the present invention showing my new design; FIG. 2 is a top plan view thereof; FIG. 3 is a right side elevational view thereof; FIG. 4 is a left side elevational view thereof; FIG. 5 is a front elevational view thereof; FIG. 6 is a rear elevational view thereof; FIG. 7 is a front perspective view thereof; and, FIG. 8 is a rear perspective view thereof.

1 Claim, 2 Drawing Sheets



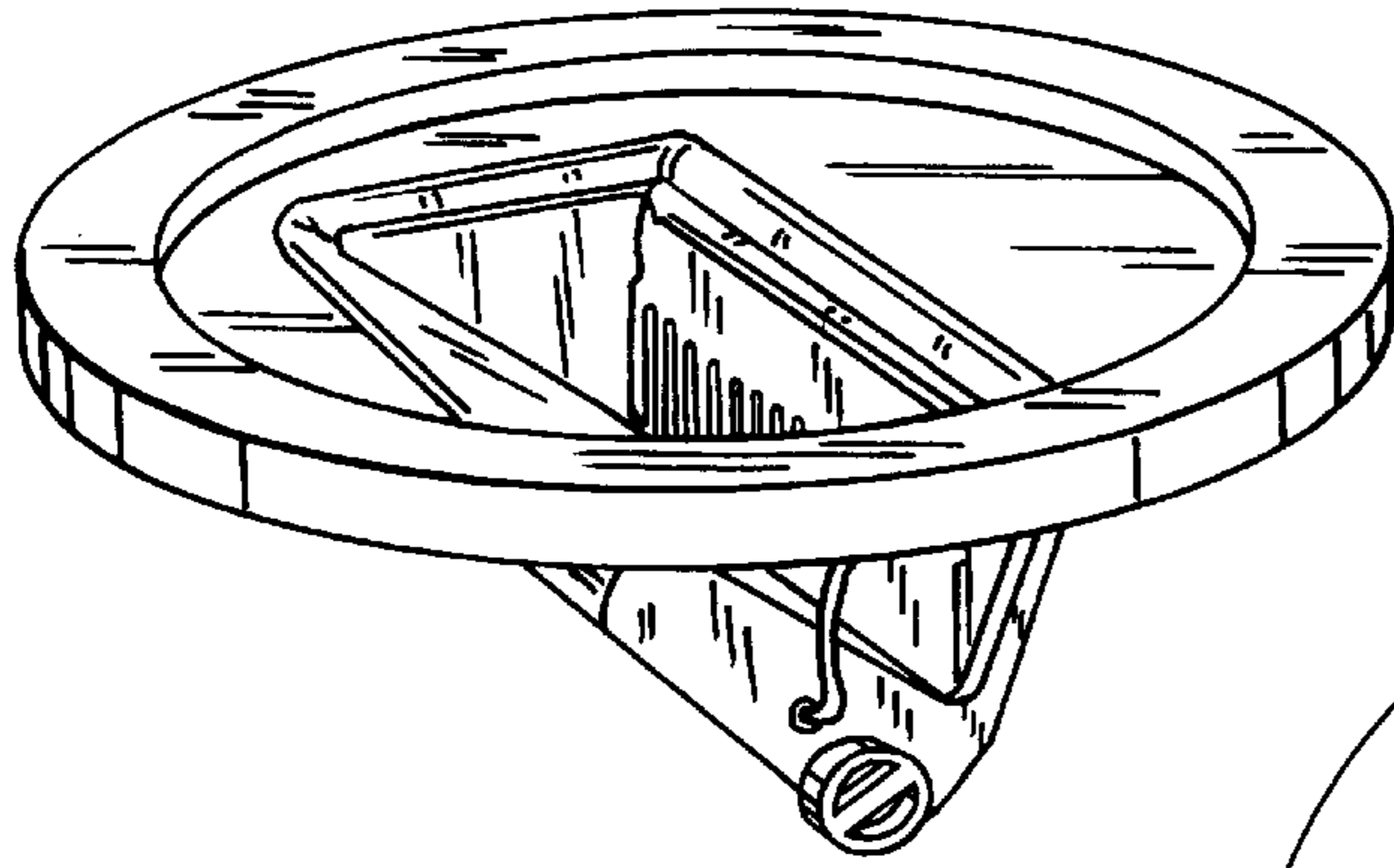


Fig. 1

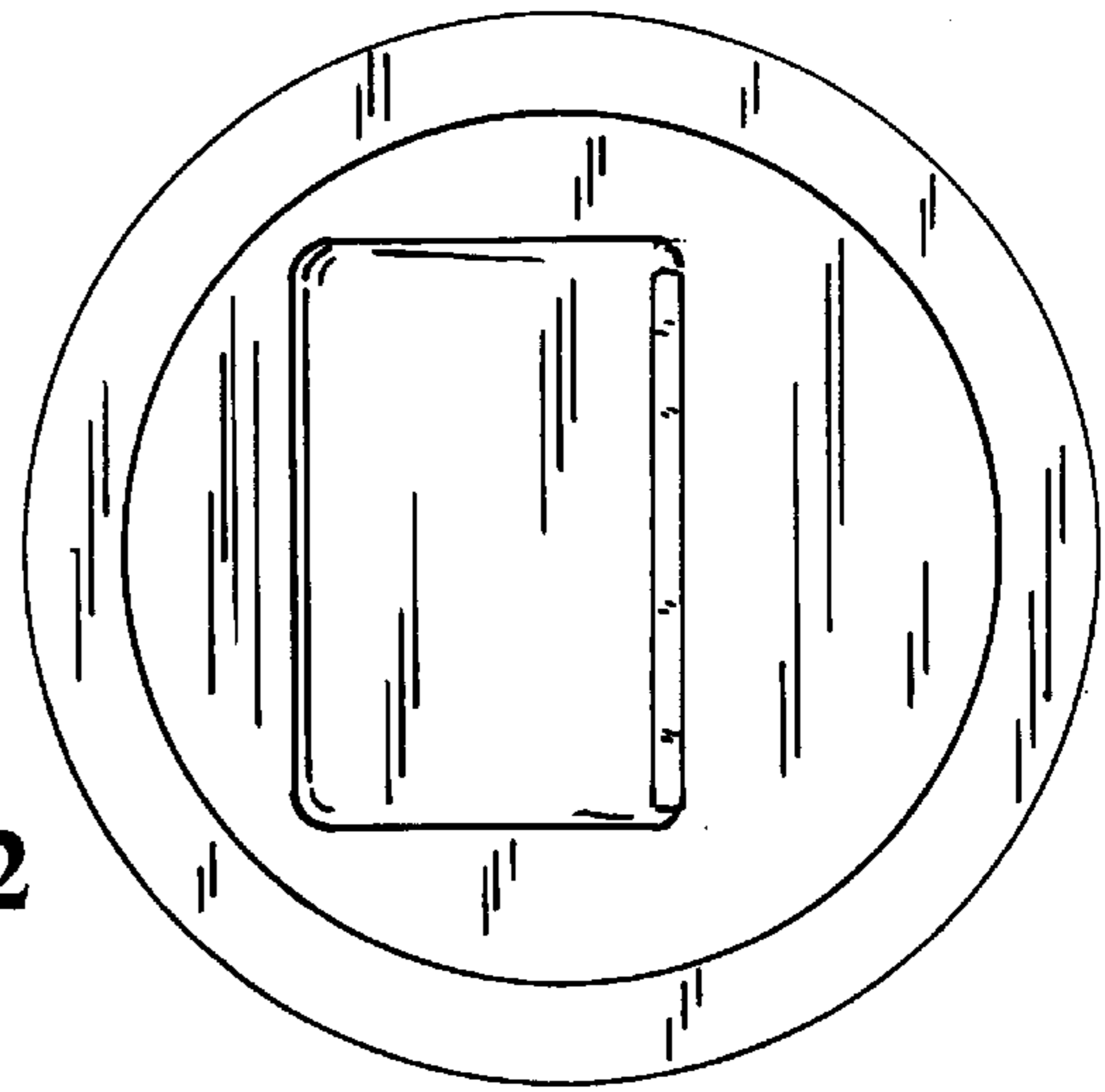


Fig. 2

Fig. 3

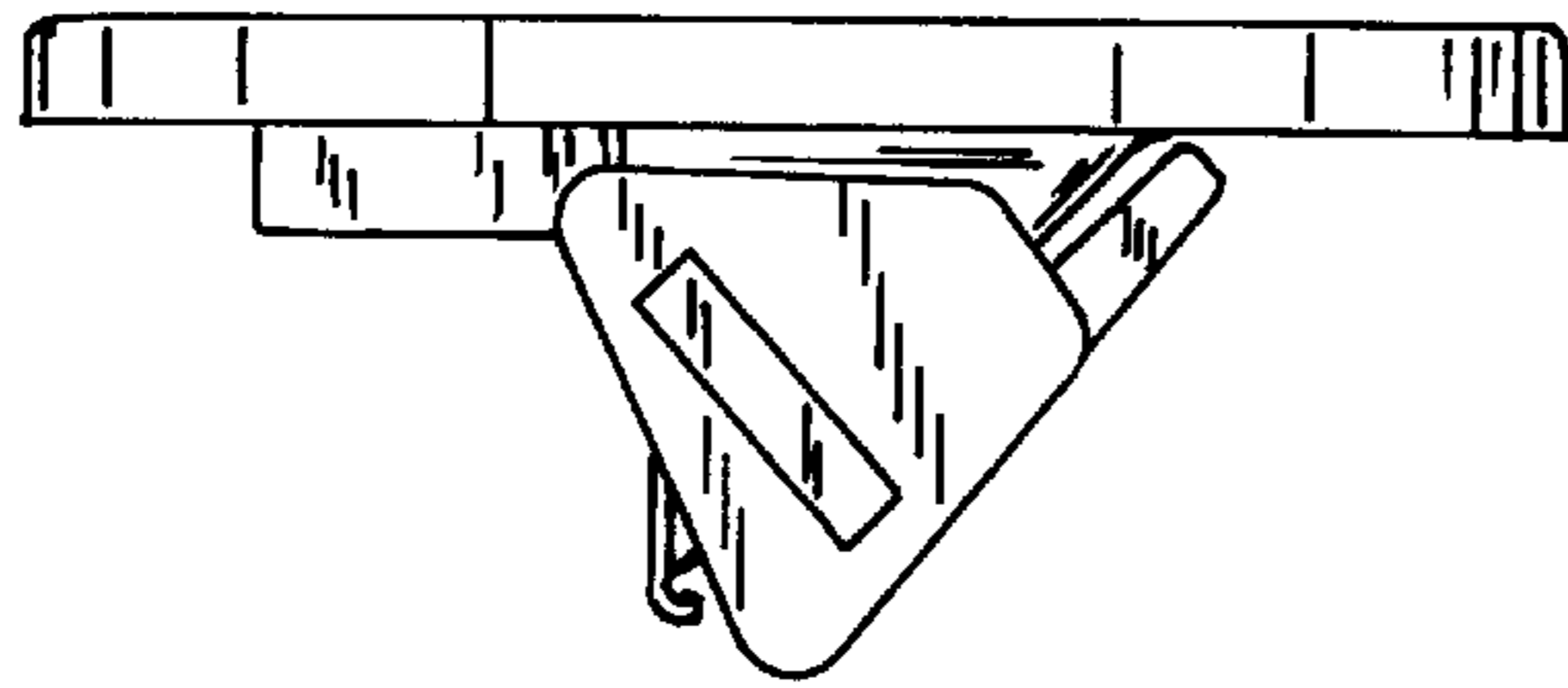


Fig. 4

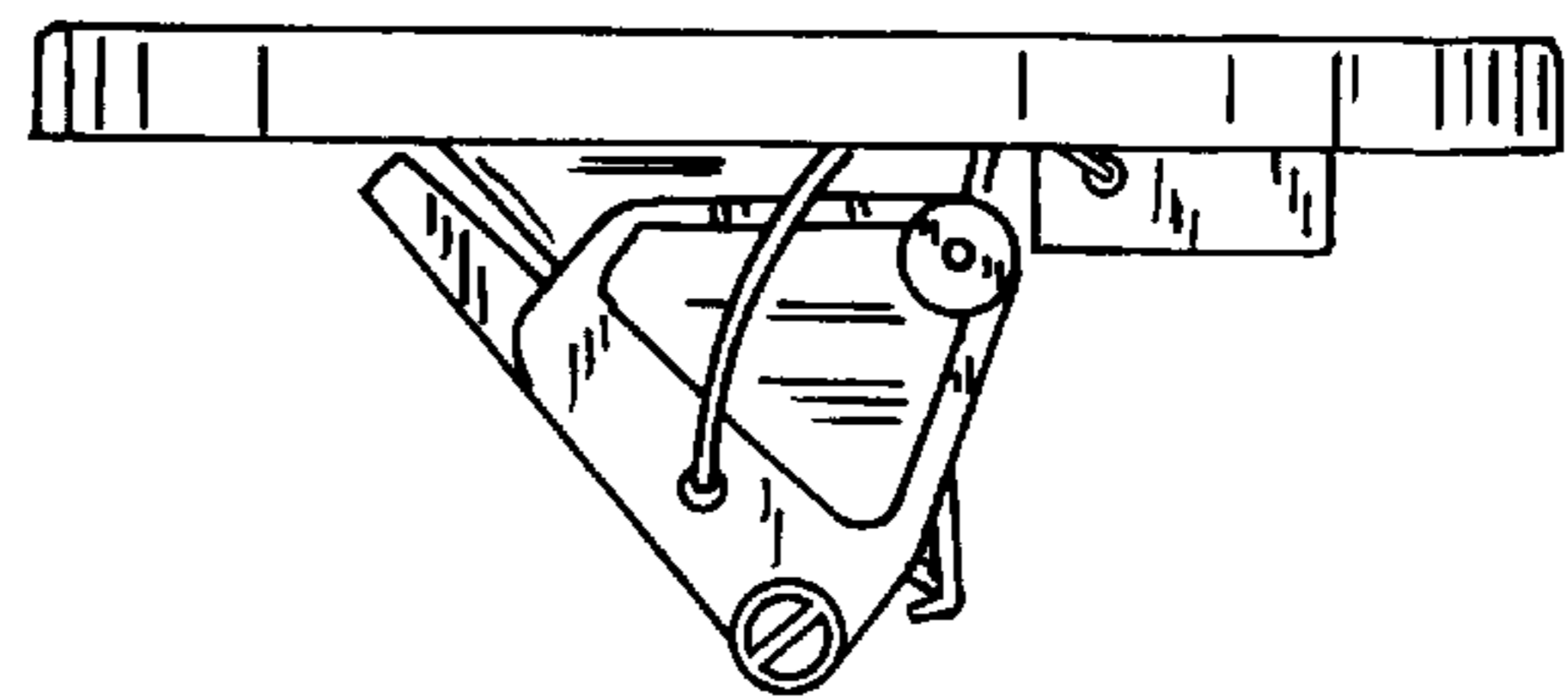


Fig. 5

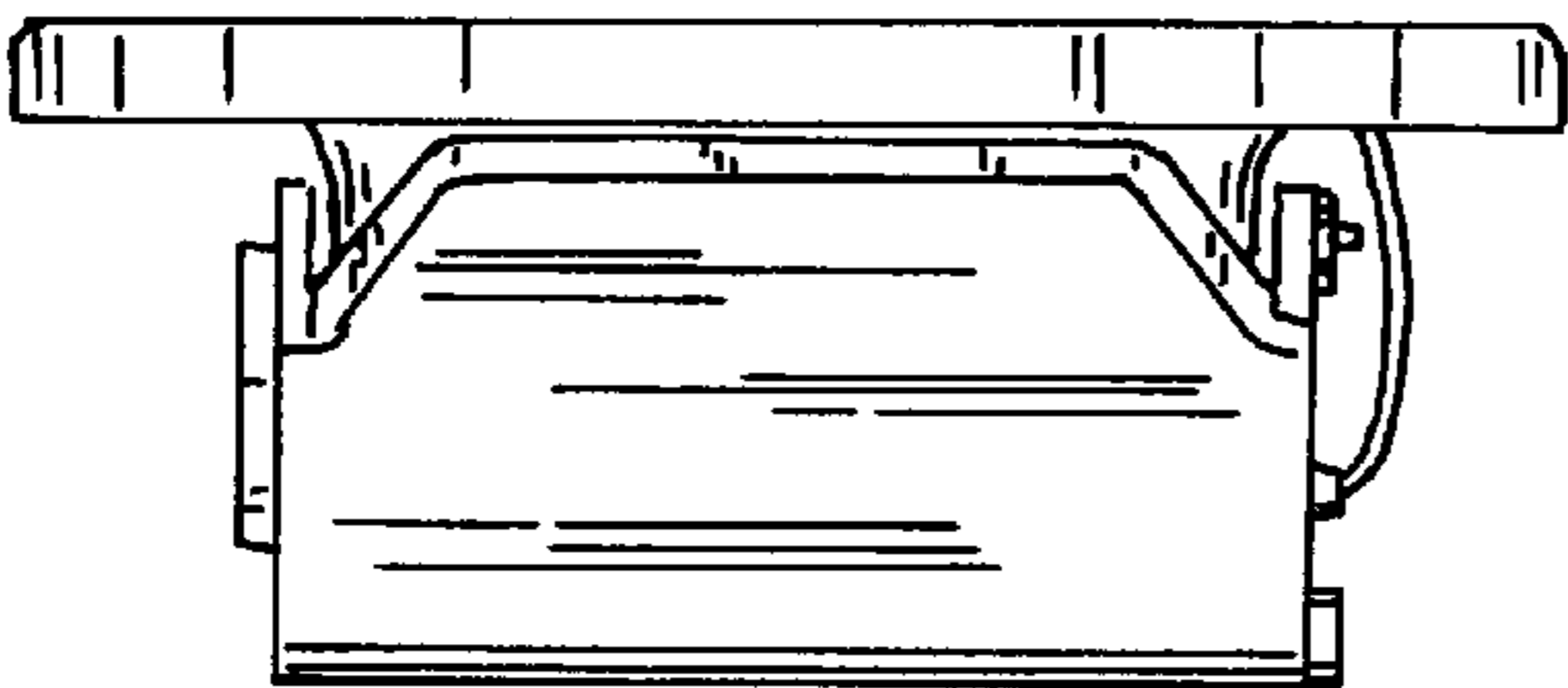


Fig. 6

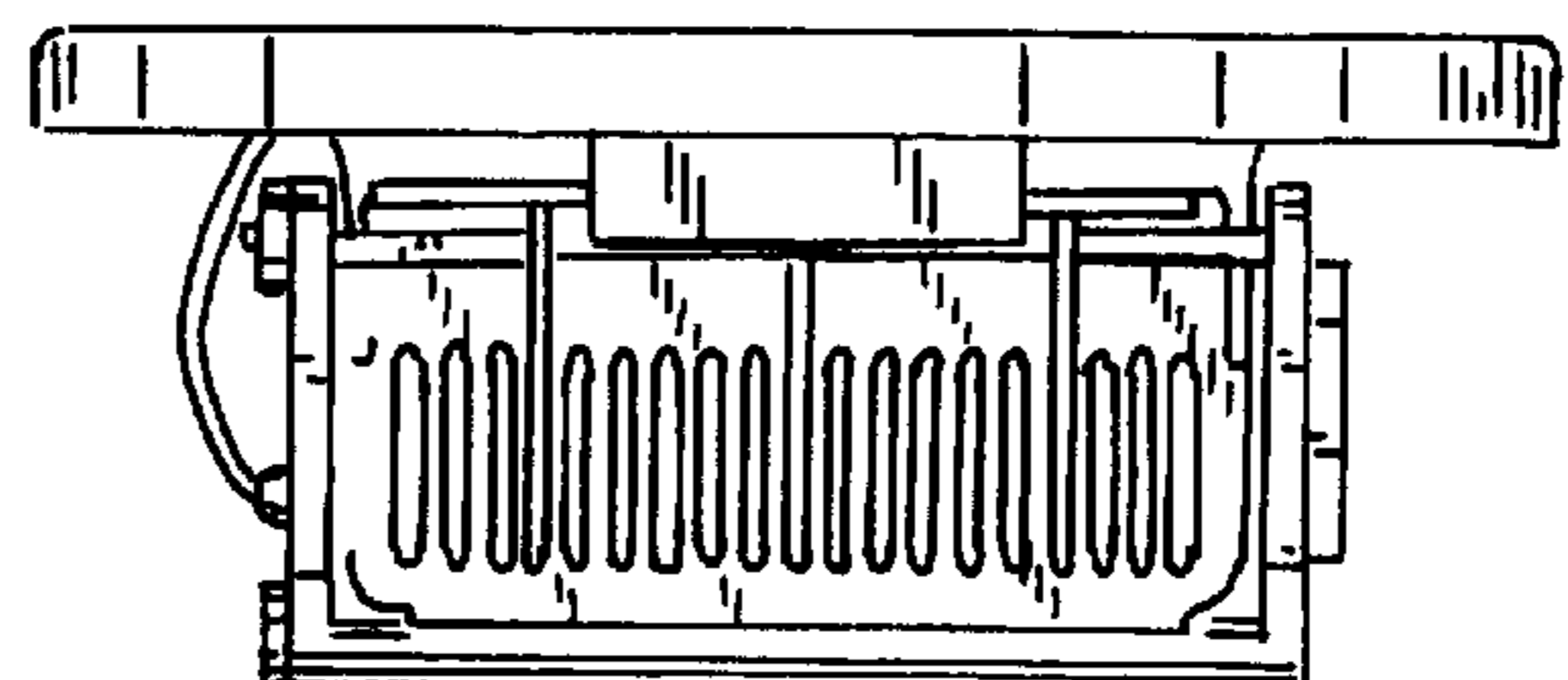


Fig. 7

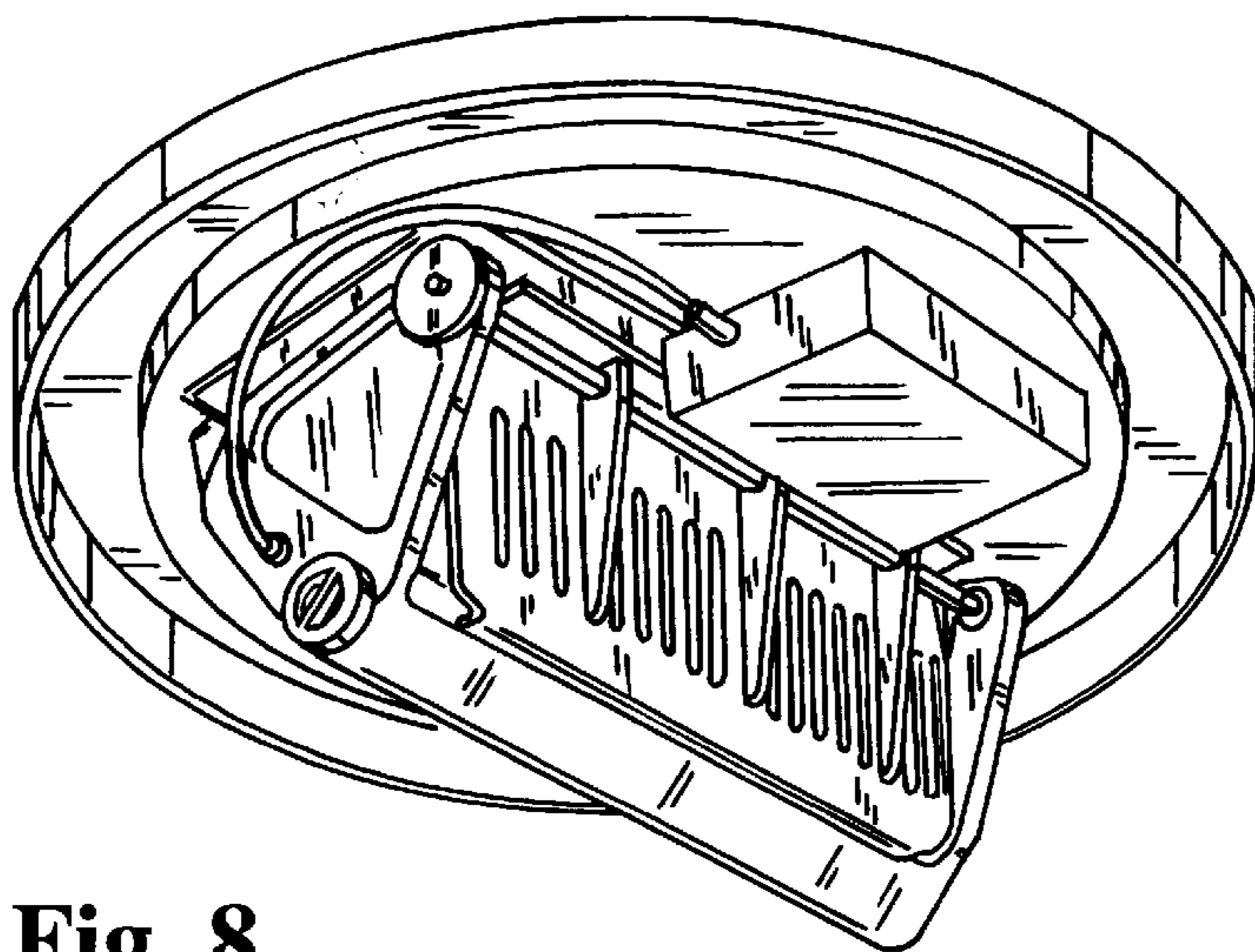
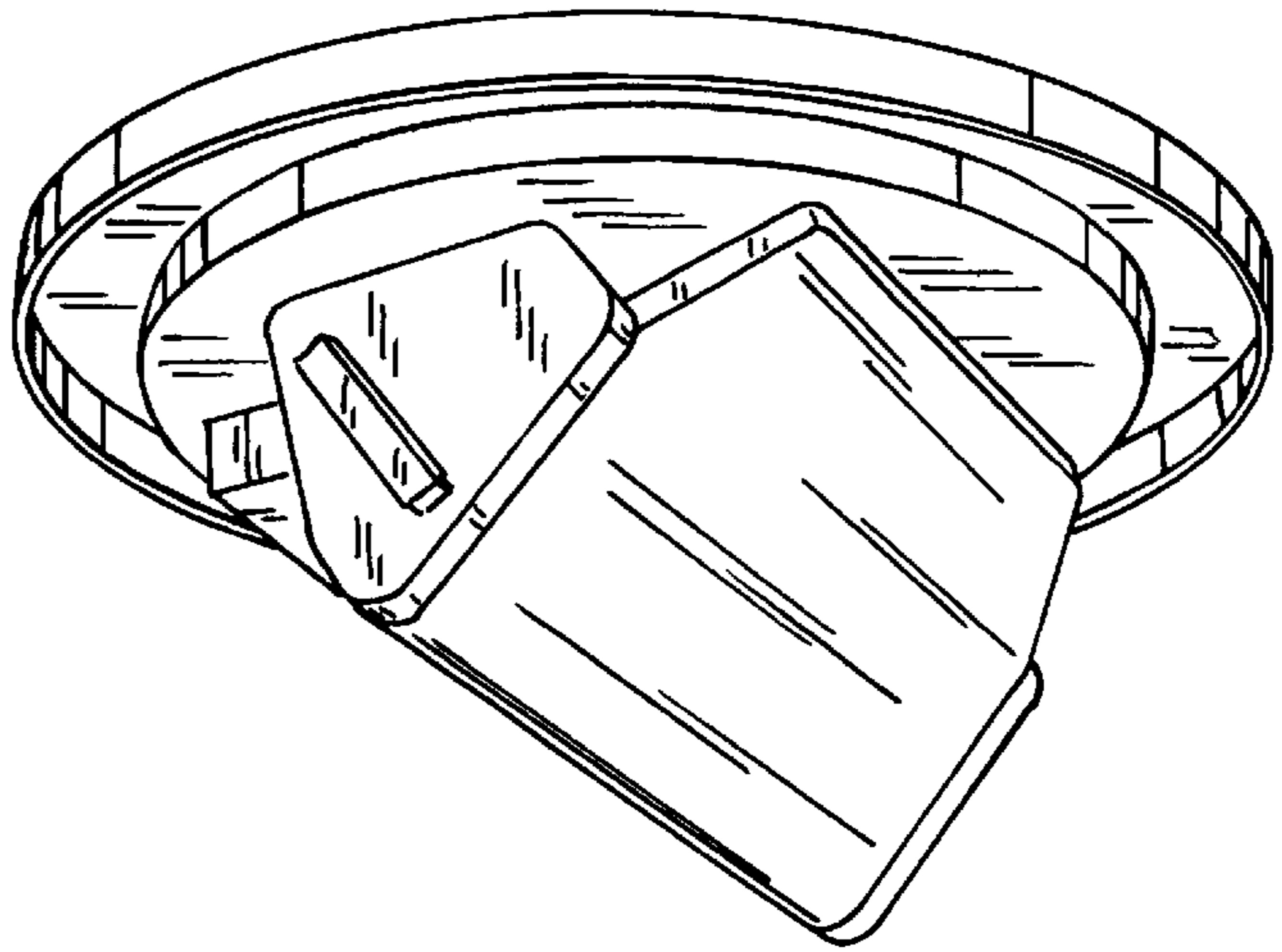


Fig. 8