



US00D410573S

United States Patent [19]
McKibbin

[11] **Patent Number: Des. 410,573**
[45] **Date of Patent: ** Jun. 1, 1999**

[54] **DOUBLE OPENING PEG**

3,084,410 4/1963 Paul, Jr. 223/90
3,137,906 6/1964 Rob 223/90
4,356,600 11/1982 Welch 24/30.5 R

[76] Inventor: **Martin McKibbin**, 19, Marguerite Ave., Newcastle, Co. Down, BT33 0PF, United Kingdom

[**] Term: **14 Years**

Primary Examiner—Susan J. Lucas
Assistant Examiner—Cynthia E. Ramirez
Attorney, Agent, or Firm—Rader, Fishman & Grauer PLLC

[21] Appl. No.: **29/087,331**

[57] **CLAIM**

[22] Filed: **Apr. 30, 1998**

The ornamental design for a double opening peg, as shown and described.

[51] **LOC (6) Cl.** **07-05**

[52] **U.S. Cl.** **D32/61; D8/395**

[58] **Field of Search** D32/61-64; 24/455, 24/30.5 R, 530, 570; 140/83; 223/DIG. 83, DIG. 90, DIG. 91; D8/395

DESCRIPTION

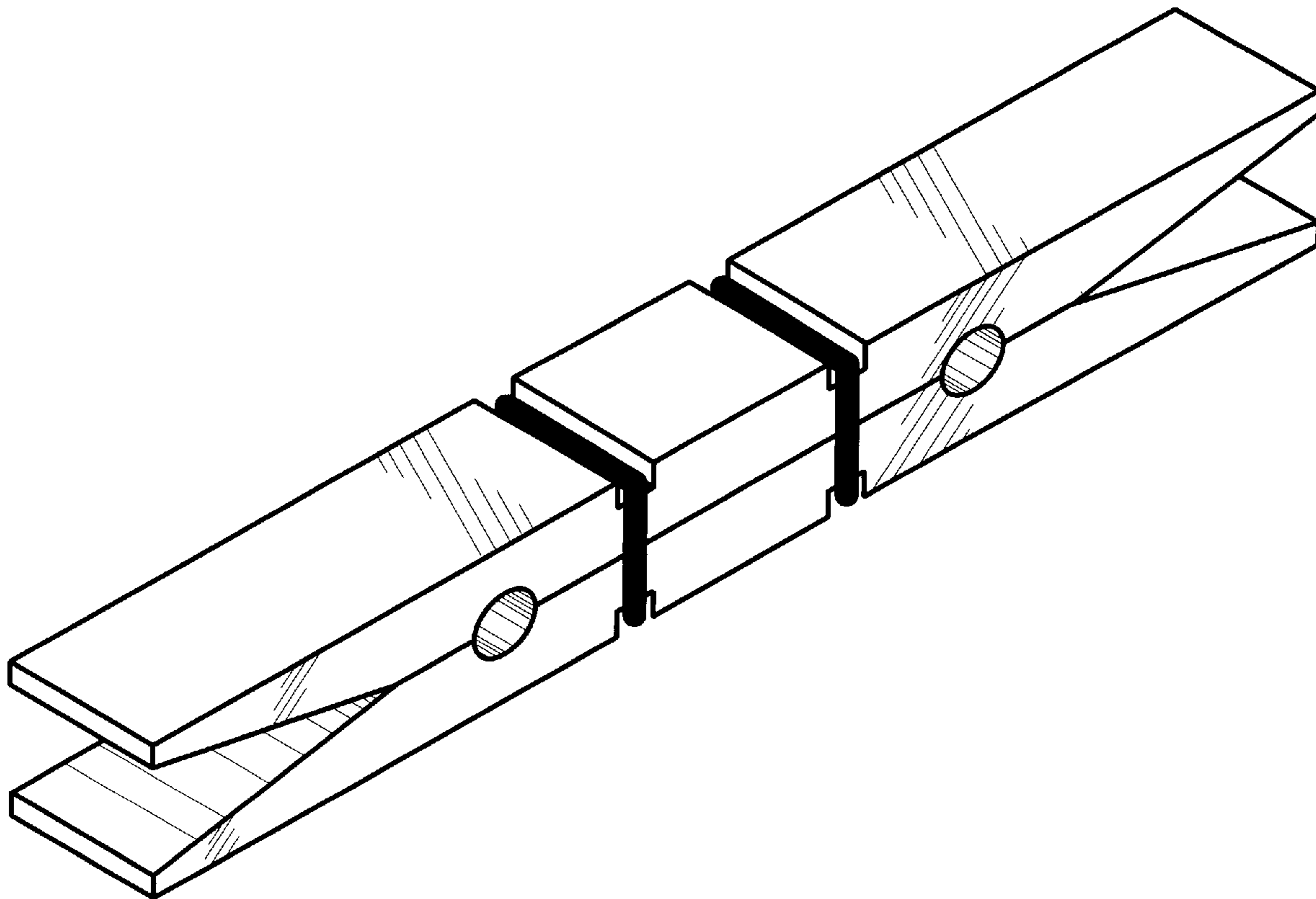
[56] **References Cited**

U.S. PATENT DOCUMENTS

D. 142,249	8/1945	Vining	D32/61
219,543	9/1879	Warren	24/455
D. 245,568	8/1977	Edlin	D32/61
2,100,825	11/1937	Wehry	24/455
2,871,538	2/1959	Richardson	223/90

FIG. 1 is a view of the front face of the double opening peg showing my new design;
FIG. 2 is a view of the rear face of the double opening peg;
FIG. 3 is a view of the right face of the double opening peg;
FIG. 4 is a view of the left face of the double opening peg;
FIG. 5 is a view of the top face of the double opening peg;
FIG. 6 is a view of the bottom face of the double opening peg; and,
FIG. 7 is a perspective view of the double opening peg.

1 Claim, 4 Drawing Sheets



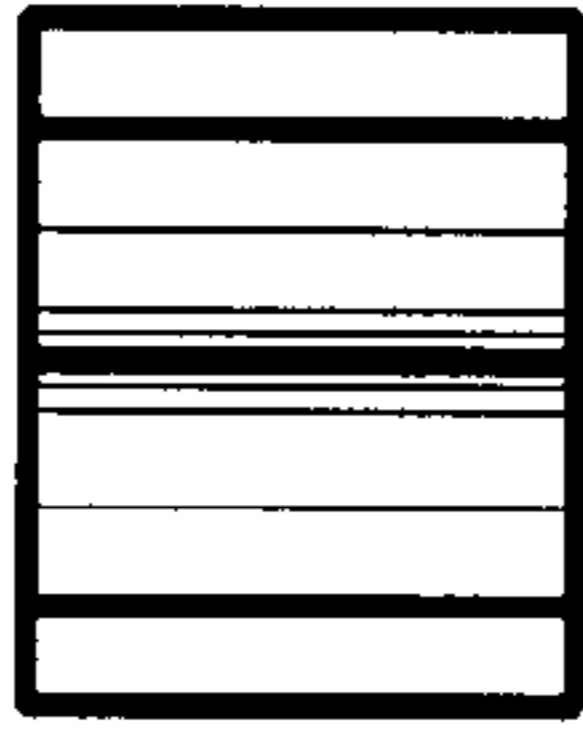


FIG 1

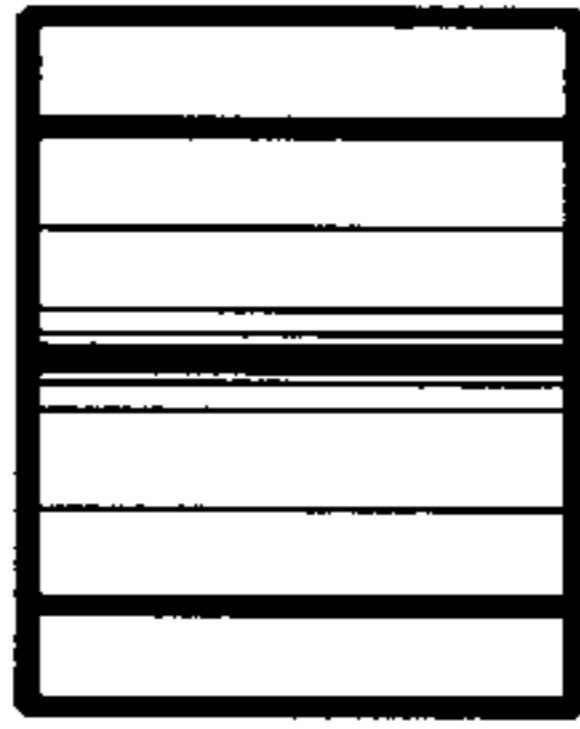


FIG 2

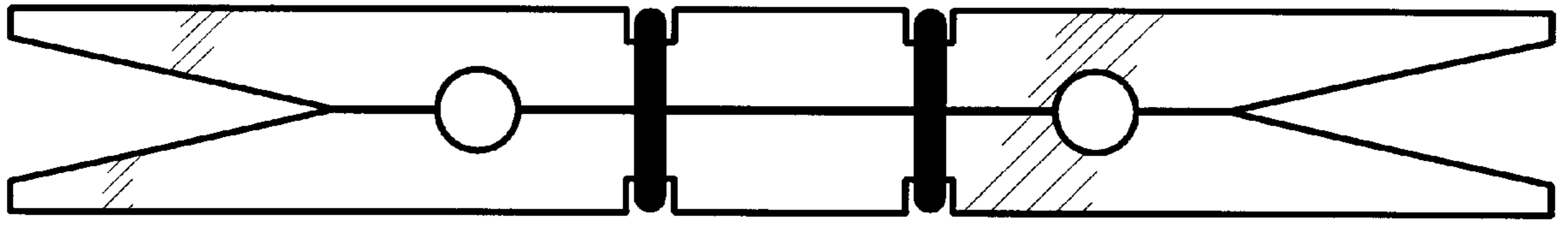


FIG 3

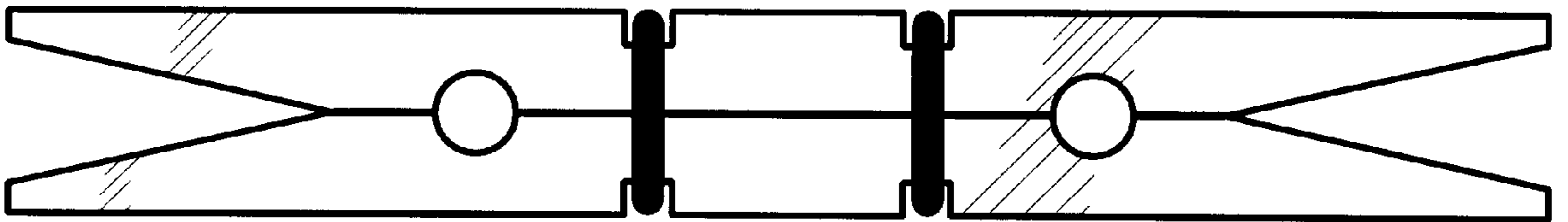


FIG 4

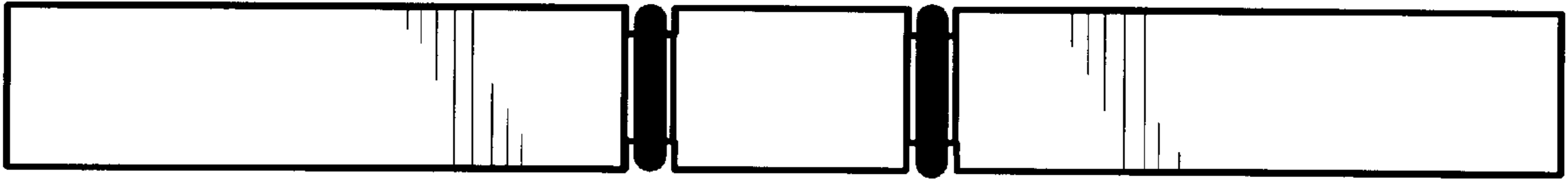


FIG 5

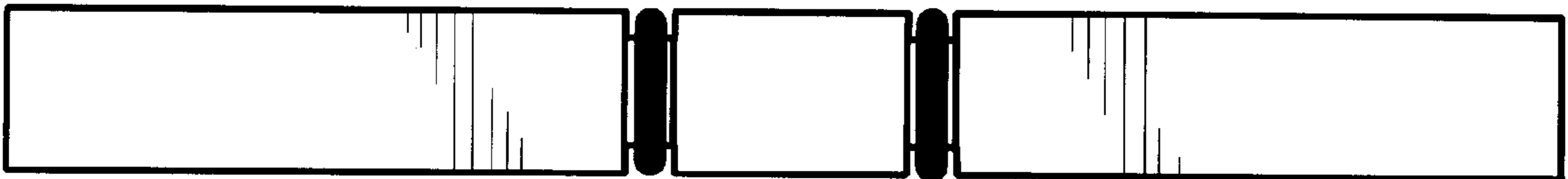


FIG 6

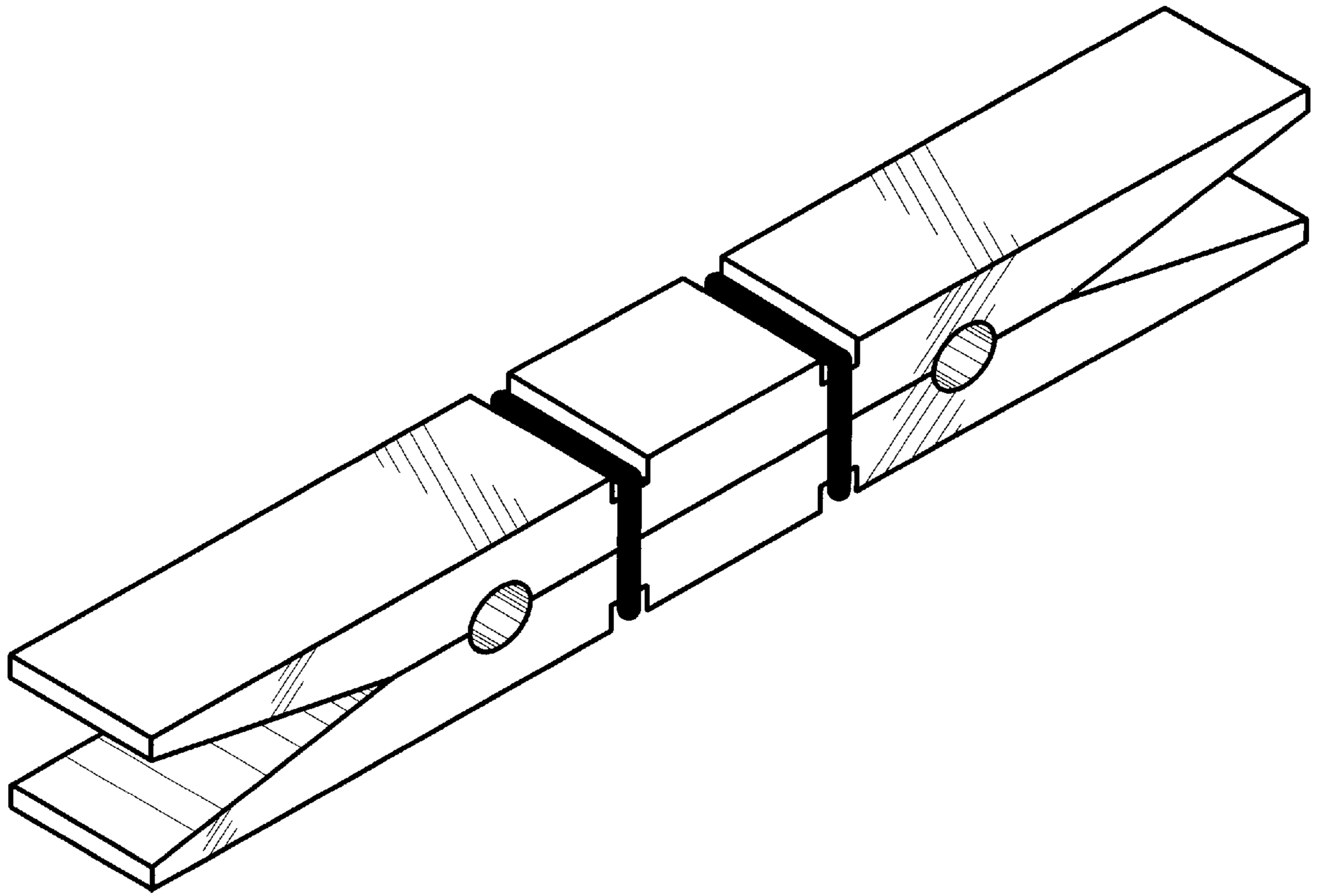


FIG 7