



US00D410572S

**United States Patent** [19]  
**Gustafsson**

[11] **Patent Number: Des. 410,572**  
[45] **Date of Patent: \*\* Jun. 1, 1999**

[54] **TRANSPARENT COVER FOR MILKING CLAW**

[75] Inventor: **Marie-Louise Gustafsson**, Stockholm, Sweden

[73] Assignee: **Alfa Laval Agri AB**, Tumba, Sweden

[\*\*] Term: **14 Years**

[21] Appl. No.: **29/073,777**

[22] Filed: **Jul. 17, 1997**

[30] **Foreign Application Priority Data**

Jan. 28, 1997 [SE] Sweden ..... 97-0199

[51] **LOC (6) Cl.** ..... **30-99**

[52] **U.S. Cl.** ..... **D30/199**

[58] **Field of Search** ..... D30/199; 119/14.54, 119/14.55, 14.14, 14.45, 14.05

[56] **References Cited**

**U.S. PATENT DOCUMENTS**

1,348,401	8/1920	Fimand .	
3,029,787	4/1962	Lamberson .....	119/14.54
3,111,933	11/1963	Nordegren .....	119/14.54
4,253,419	3/1981	Yang .....	119/14.54
4,314,526	2/1982	Nordenskjold .....	119/14.55

4,537,152	8/1985	Thompson .....	119/14.54
4,807,566	2/1989	Chowdhury .....	119/14.55
5,076,211	12/1991	Tonelli .....	119/14.55
5,291,853	3/1994	Steingraber et al. ....	119/14.54

**OTHER PUBLICATIONS**

*The Catalog*—Dairy Equipment & Supplies, published by Alfa Laval Agri Inc.; Fall/Winter 1995 Coverage and pp. 22, 23, and 24.

*Primary Examiner*—Cathy Anne MacCormac  
*Attorney, Agent, or Firm*—Hovey, Williams, Timmons & Collins

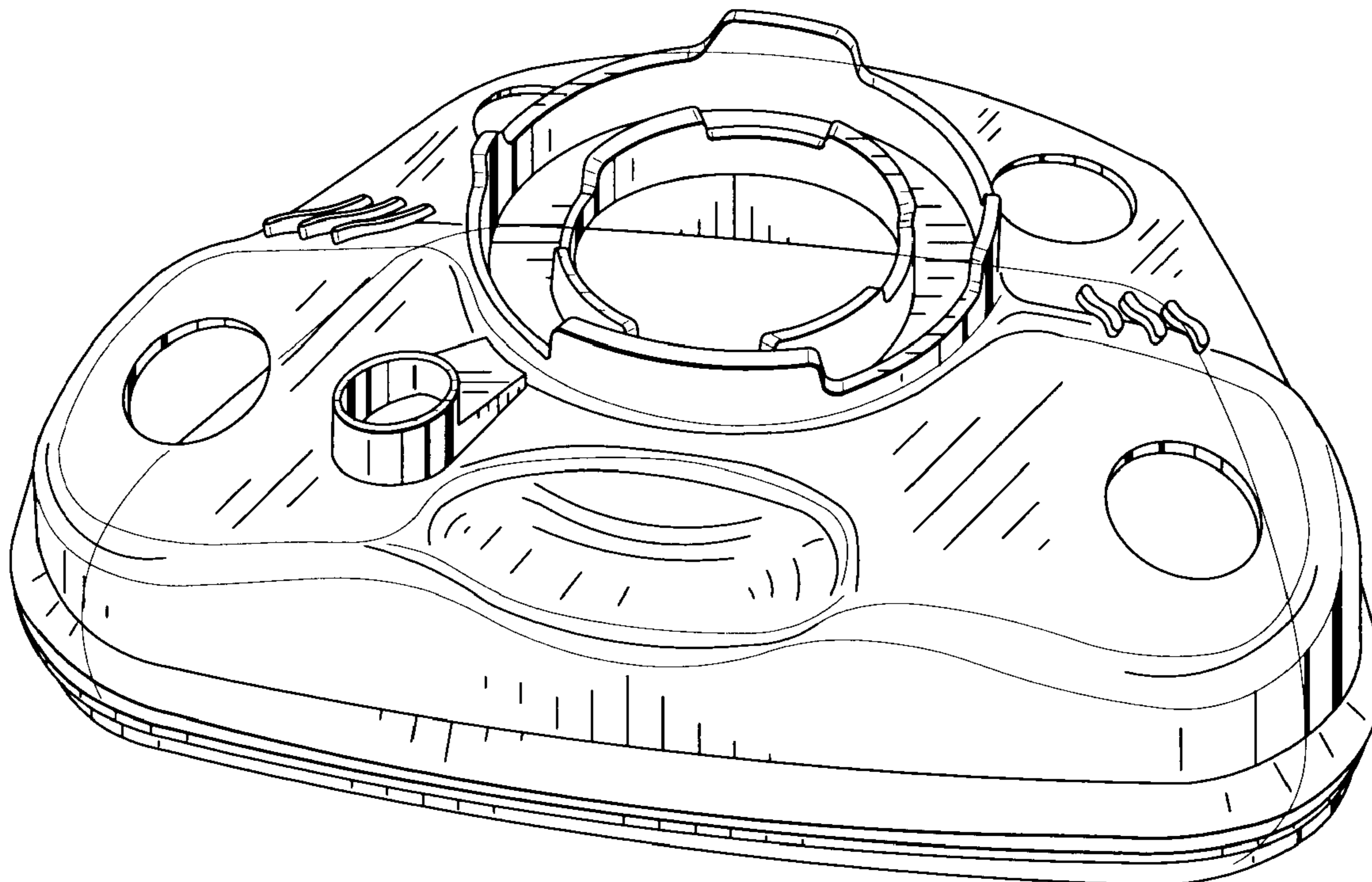
[57] **CLAIM**

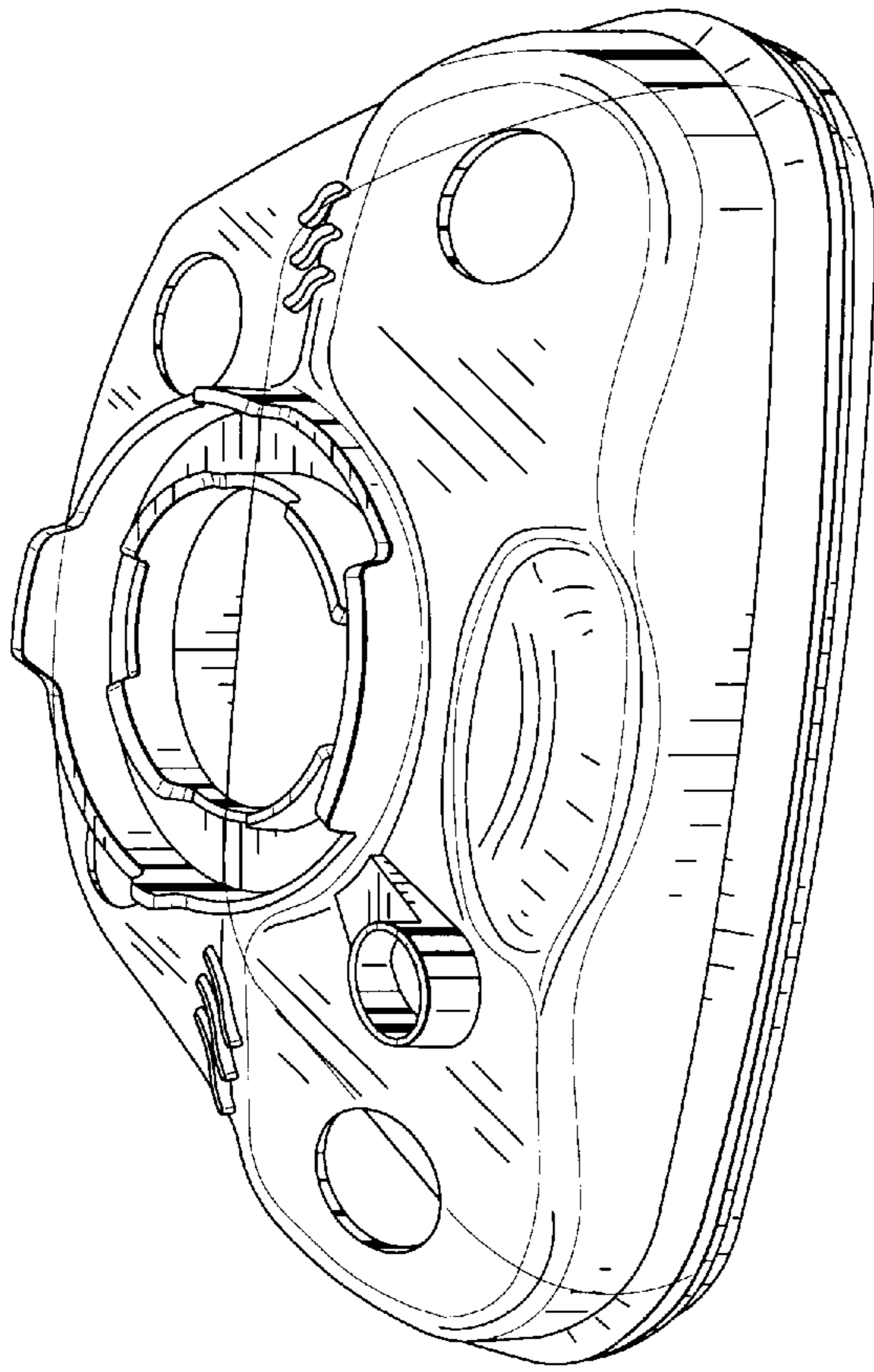
The ornamental design for a transparent cover for milking claw, as shown and described.

**DESCRIPTION**

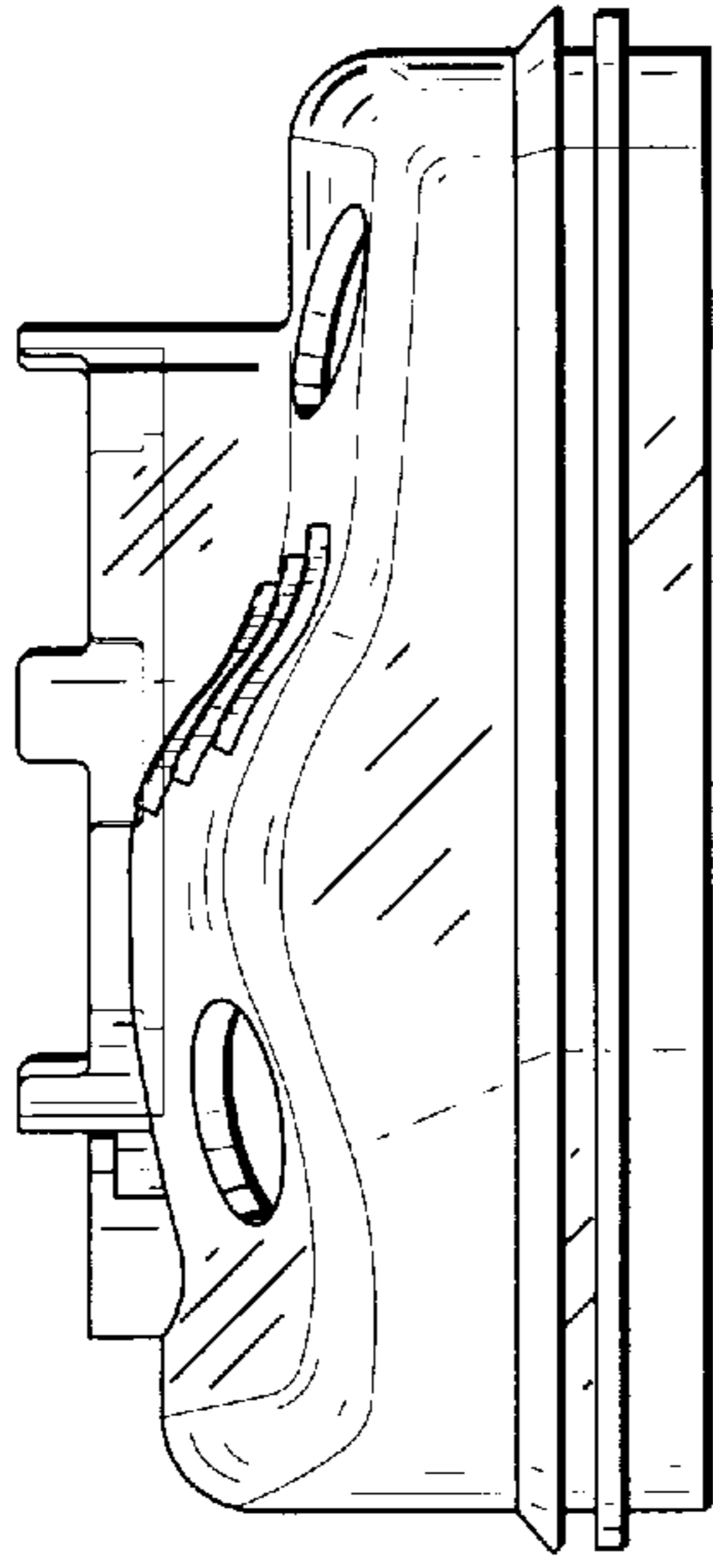
FIG. 1 is a right front perspective view of my ornamental design for the transparent cover for a milking claw; FIG. 2 is a right side elevational view thereof; FIG. 3 is a left side elevational view thereof; FIG. 4 is a front elevational view thereof; FIG. 5 is a rear elevational view thereof; FIG. 6 is a top plan view thereof; and, FIG. 7 is a bottom view thereof.

**1 Claim, 2 Drawing Sheets**

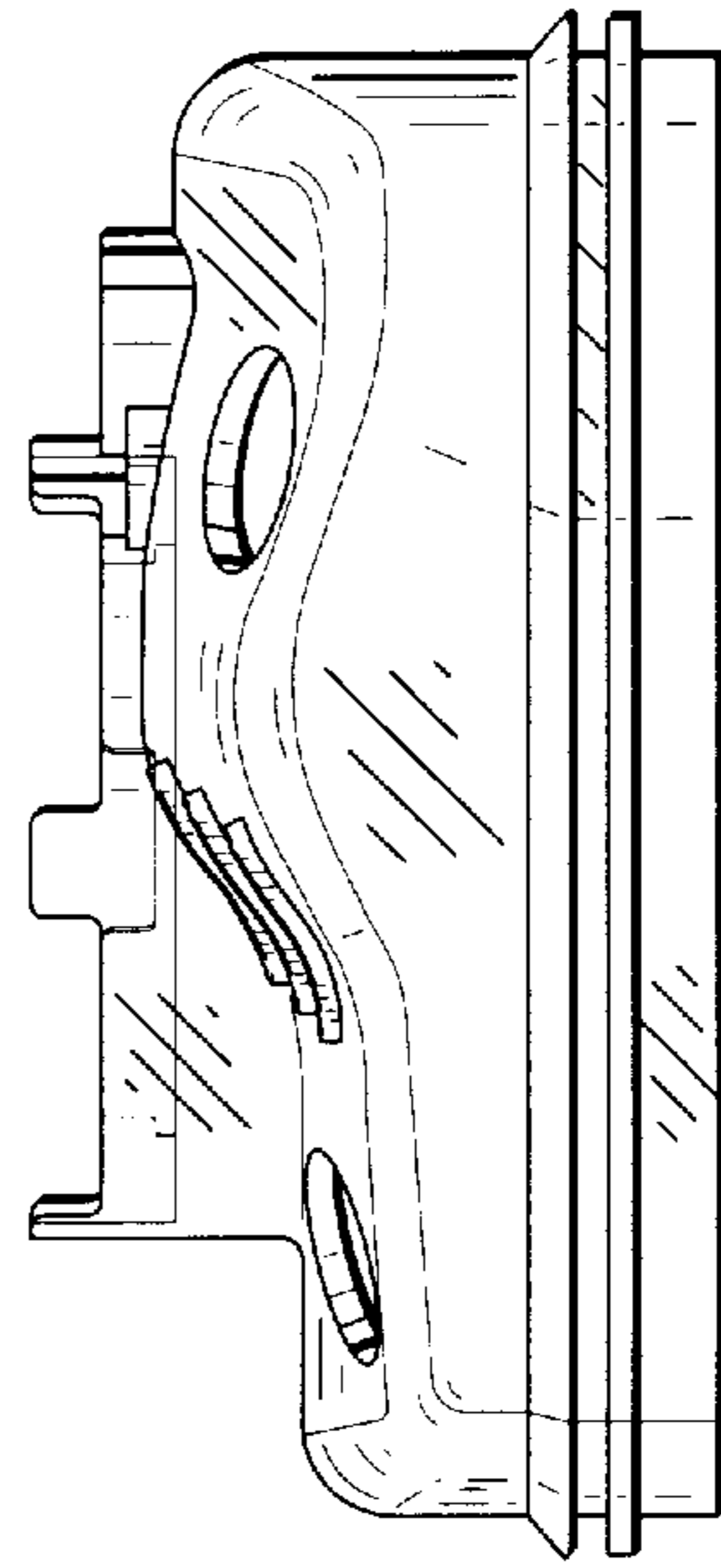




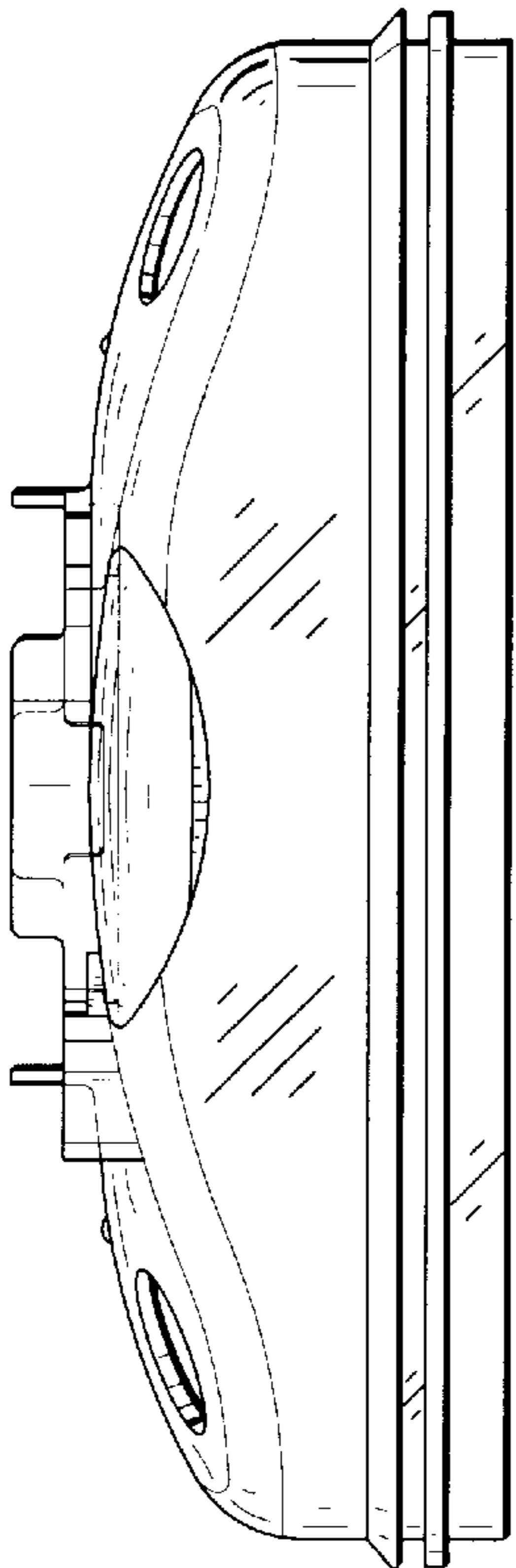
*Fig. 1.*



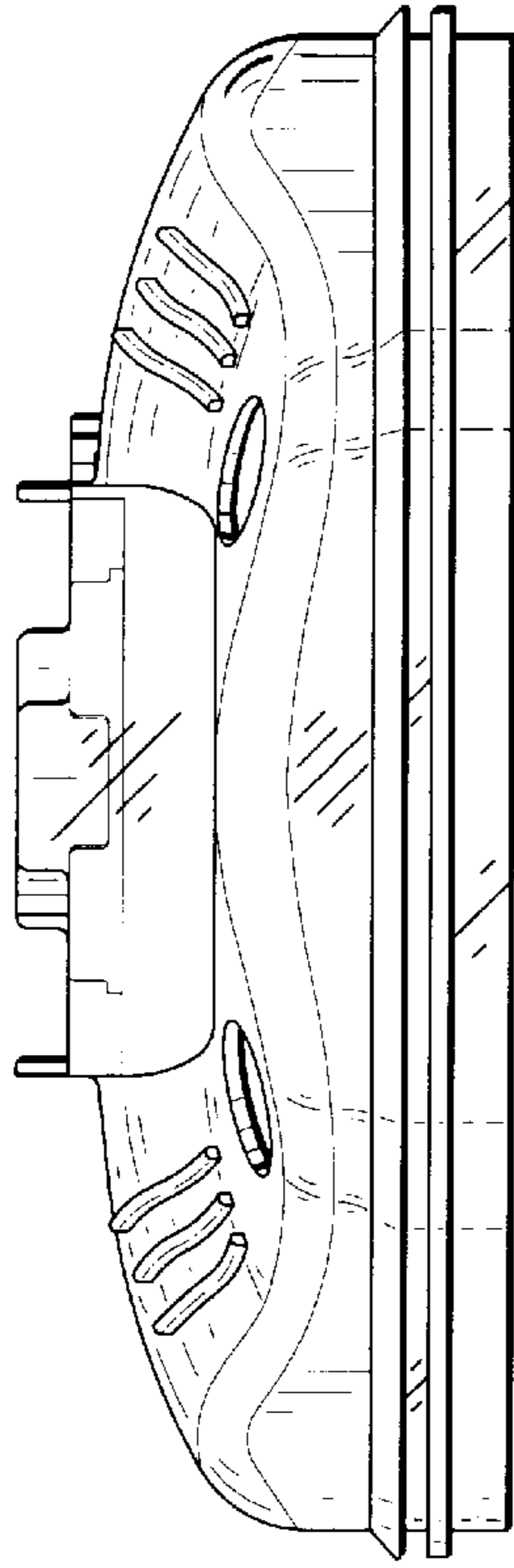
*Fig. 2.*



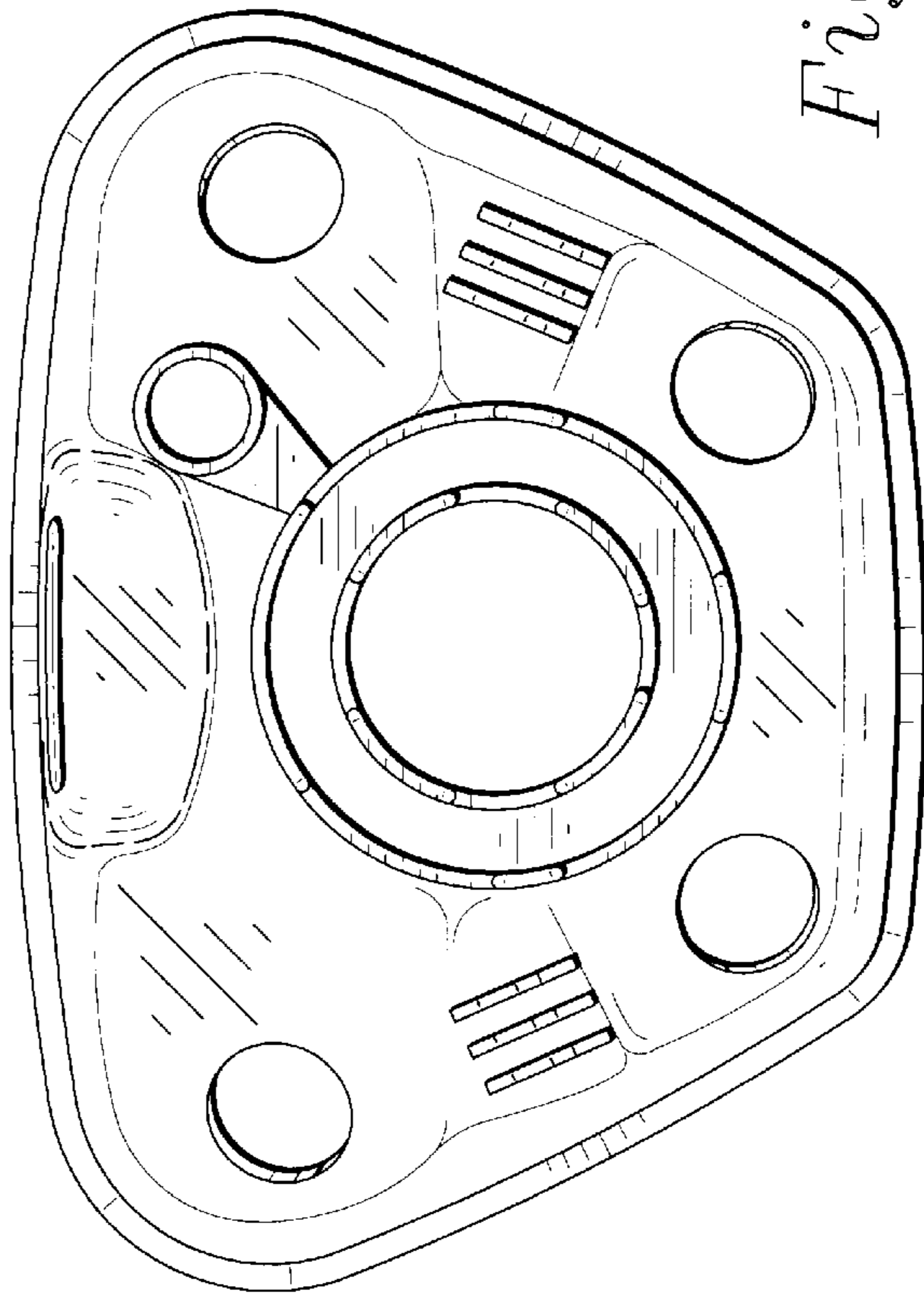
*Fig. 3.*



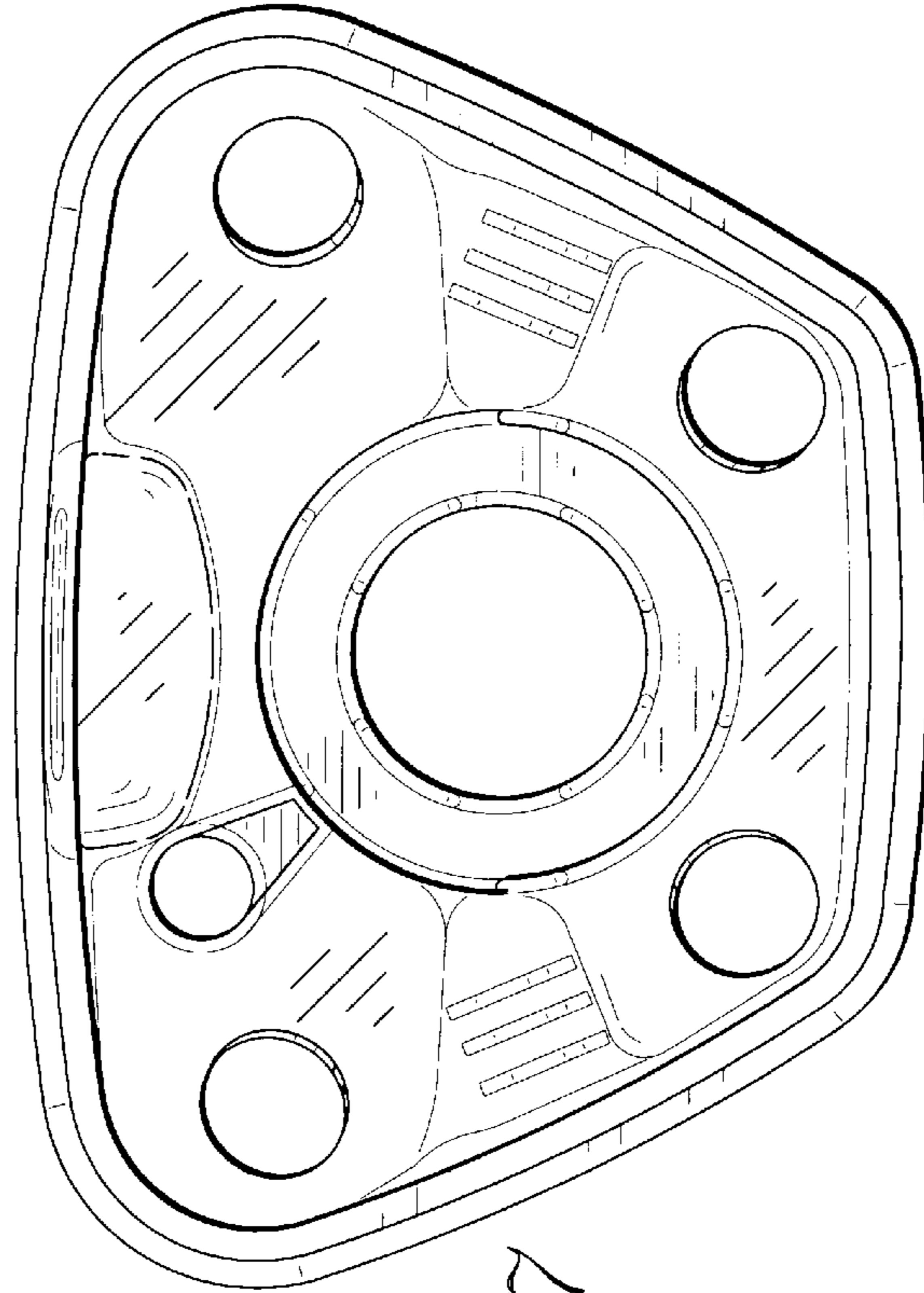
*Fig. 4.*



*Fig. 5.*



*Fig. 6.*



*Fig. 7.*