



US00D410565S

United States Patent [19]
Chen

[11] **Patent Number: Des. 410,565**
[45] **Date of Patent: ** Jun. 1, 1999**

[54] **LIGHTER**

D. 387,475 12/1997 Maruyama D27/154

[76] Inventor: **Peter Chen**, 11135 E. Rush St., Suite B, S. El Monte, Calif. 91733

Primary Examiner—Susan J. Lucas
Assistant Examiner—Jennifer Rivard
Attorney, Agent, or Firm—David and Raymond; Raymond Y. Chan

[**] Term: **14 Years**

[21] Appl. No.: **29/090,919**

[57] **CLAIM**

[22] Filed: **Jul. 20, 1998**

The ornamental design for a lighter, as shown and described.

[51] **LOC (6) Cl.** **27-05**

DESCRIPTION

[52] **U.S. Cl.** **D27/157; D27/148; D27/154**

FIG. 1 is a perspective view showing my new design.

[58] **Field of Search** D27/139, 141, D27/147, 148, 150, 152, 153, 154, 155, 156, 157, 160, 161; 431/147, 253, 142, 127, 128, 254, 256

FIG. 2 is a front view thereof.

FIG. 3 is a rear end view thereof.

FIG. 4 is a left end view thereof.

FIG. 5 is a right view thereof.

FIG. 6 is a top view thereof.

FIG. 7 is a bottom view thereof.

FIG. 8 is an exploded top perspective view thereof; and,

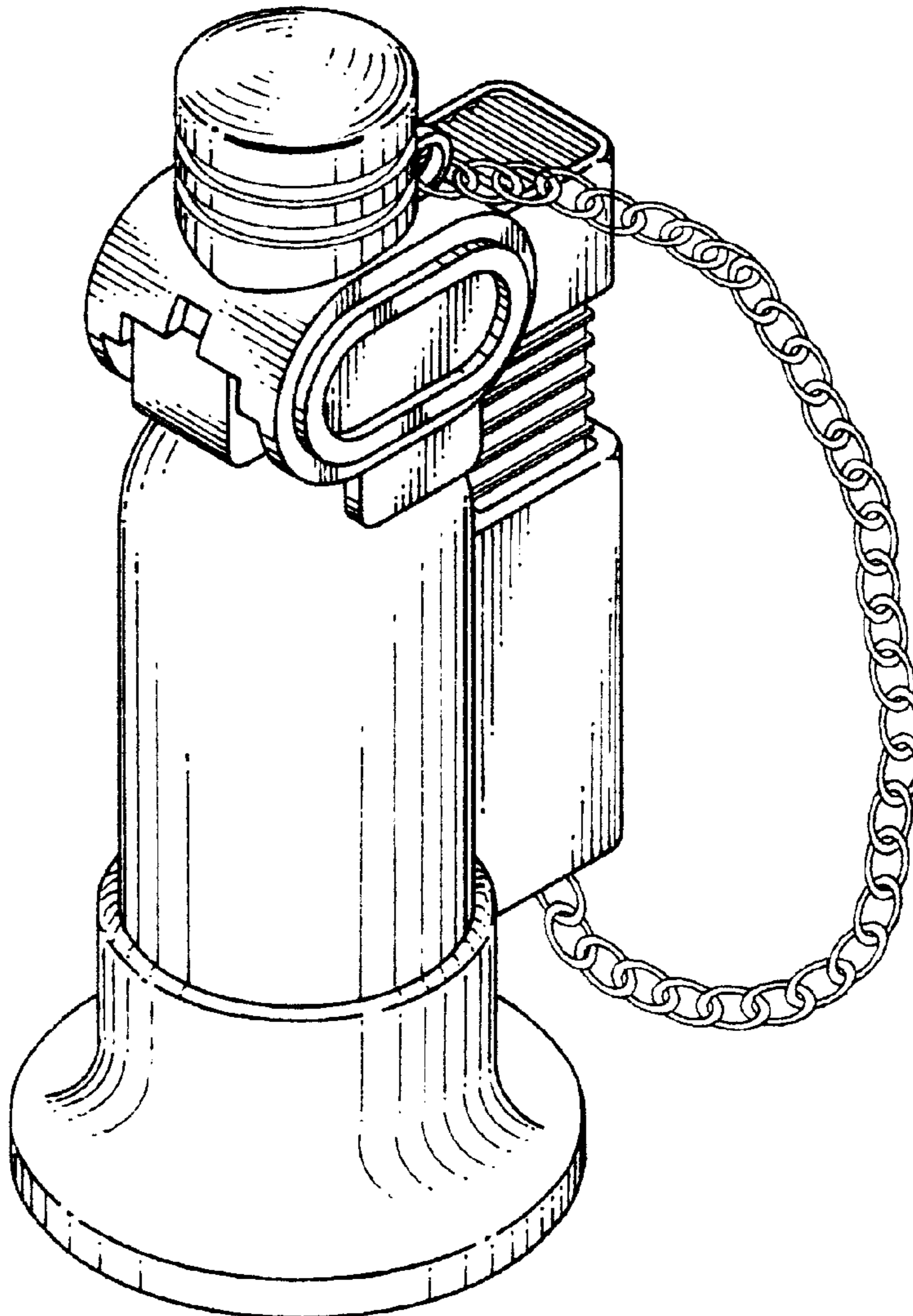
FIG. 9 is an exploded bottom perspective view thereof.

[56] **References Cited**

U.S. PATENT DOCUMENTS

D. 227,924	7/1973	Goto	D27/154
D. 284,796	7/1986	Yoshinaga	D27/148
D. 297,269	8/1988	Yoshinaga	D27/148

1 Claim, 5 Drawing Sheets



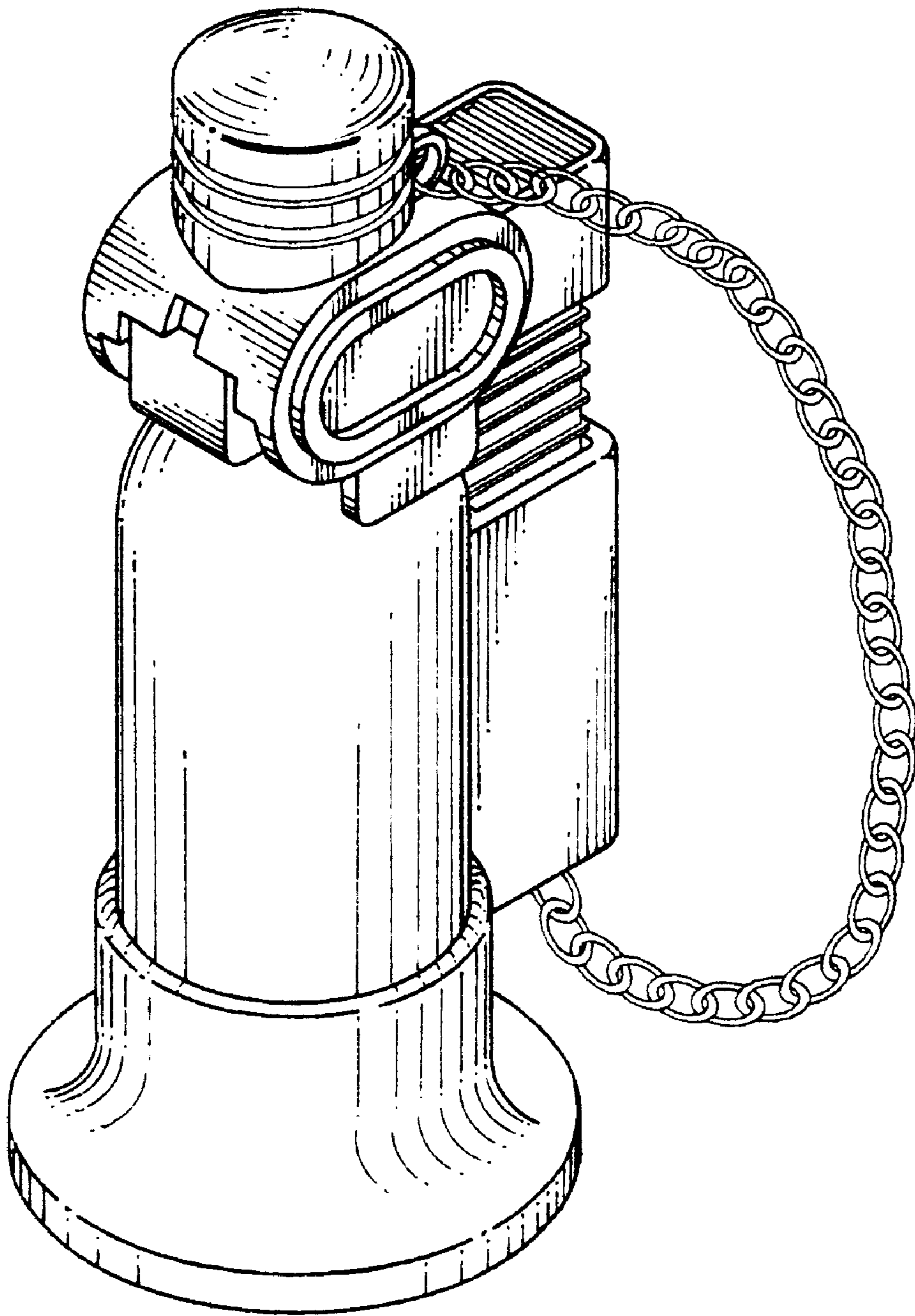


FIG. 1

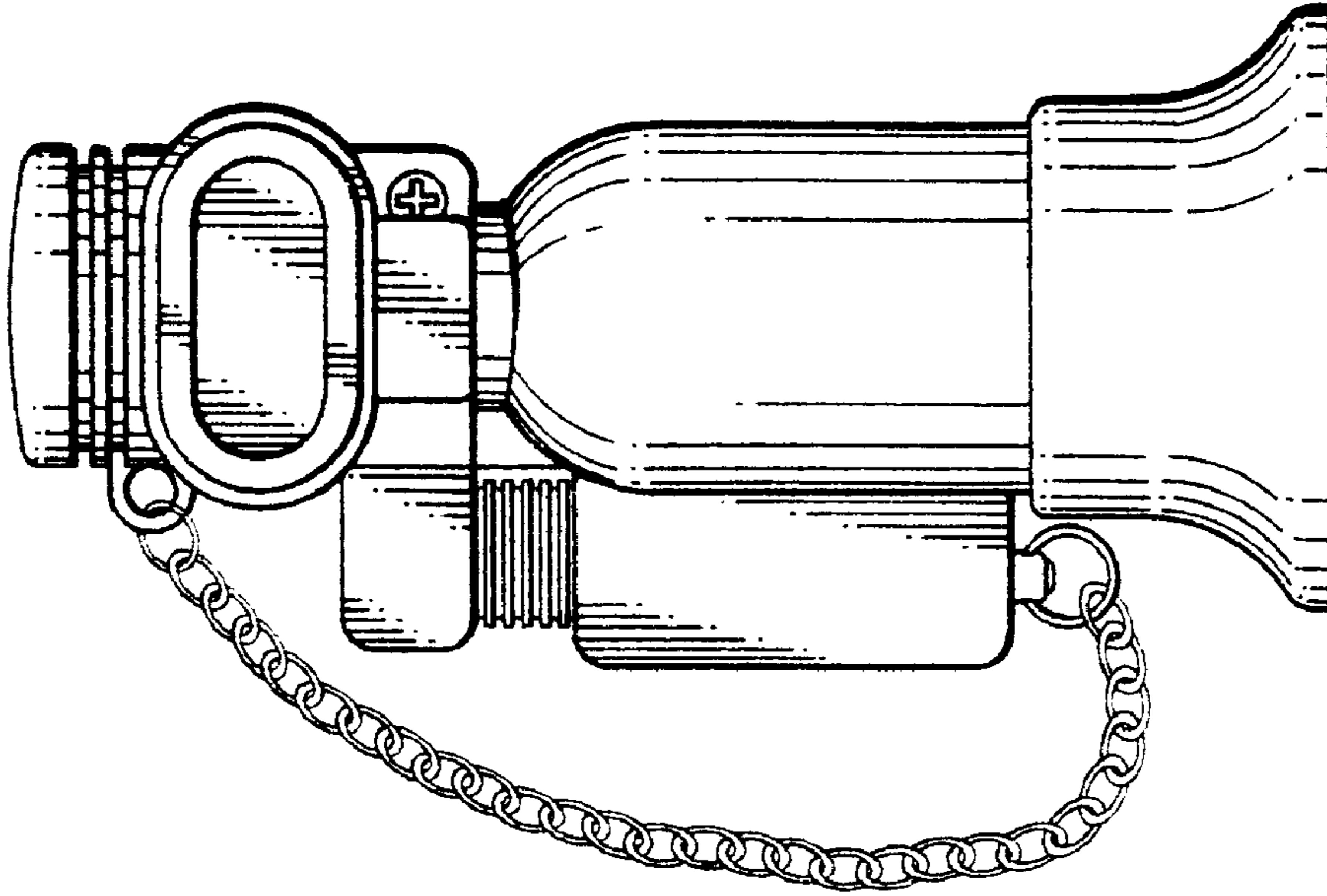


FIG. 3

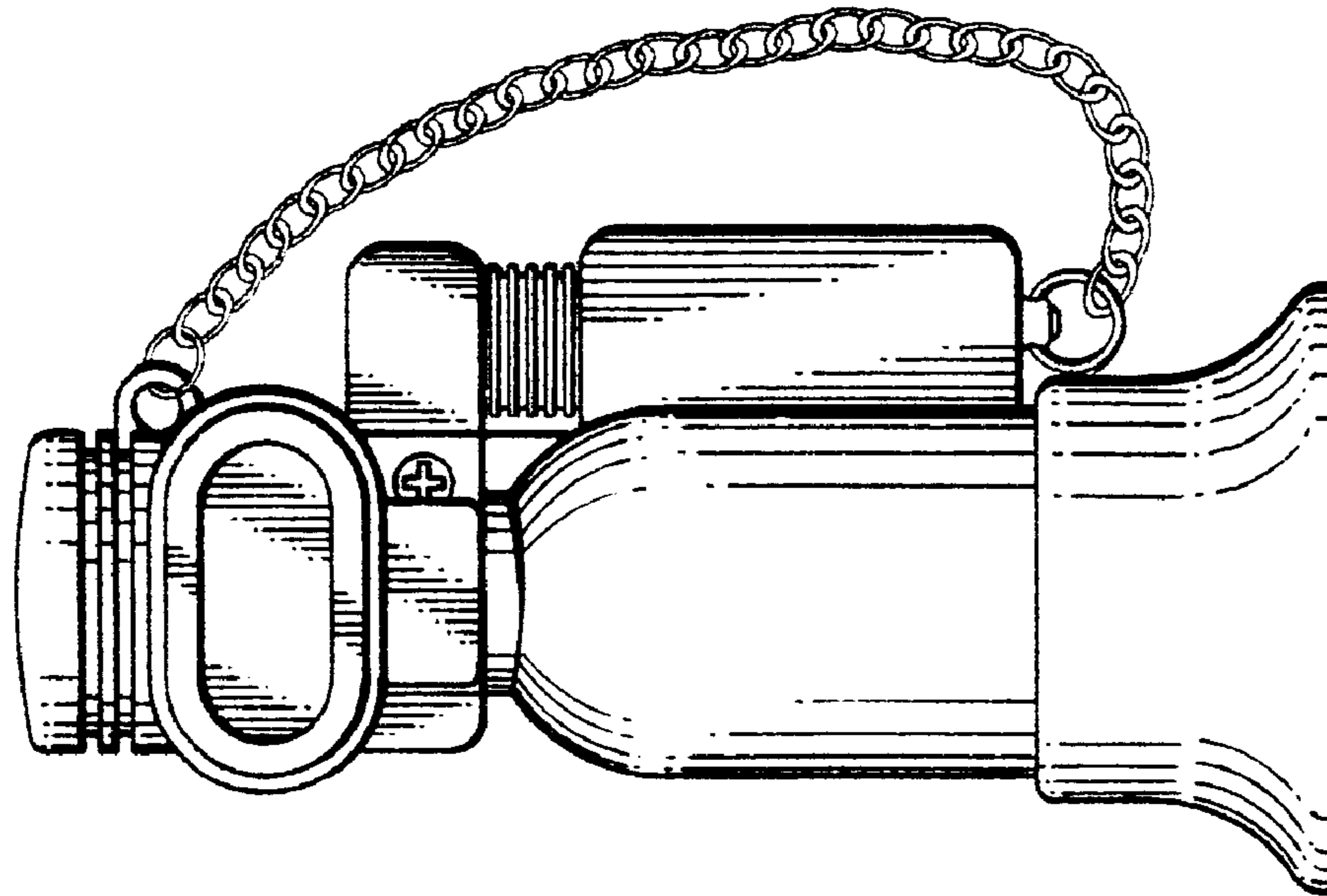


FIG. 2

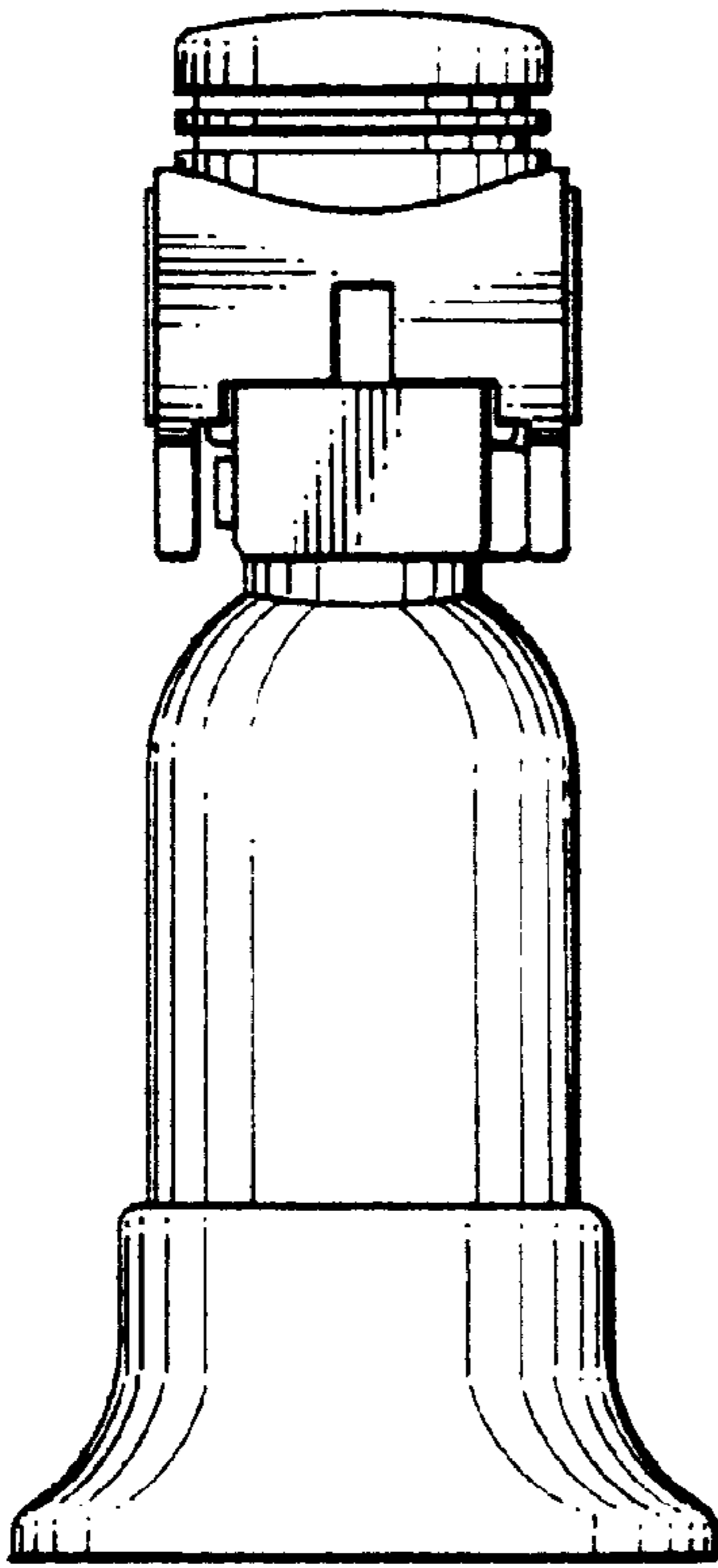


FIG. 4

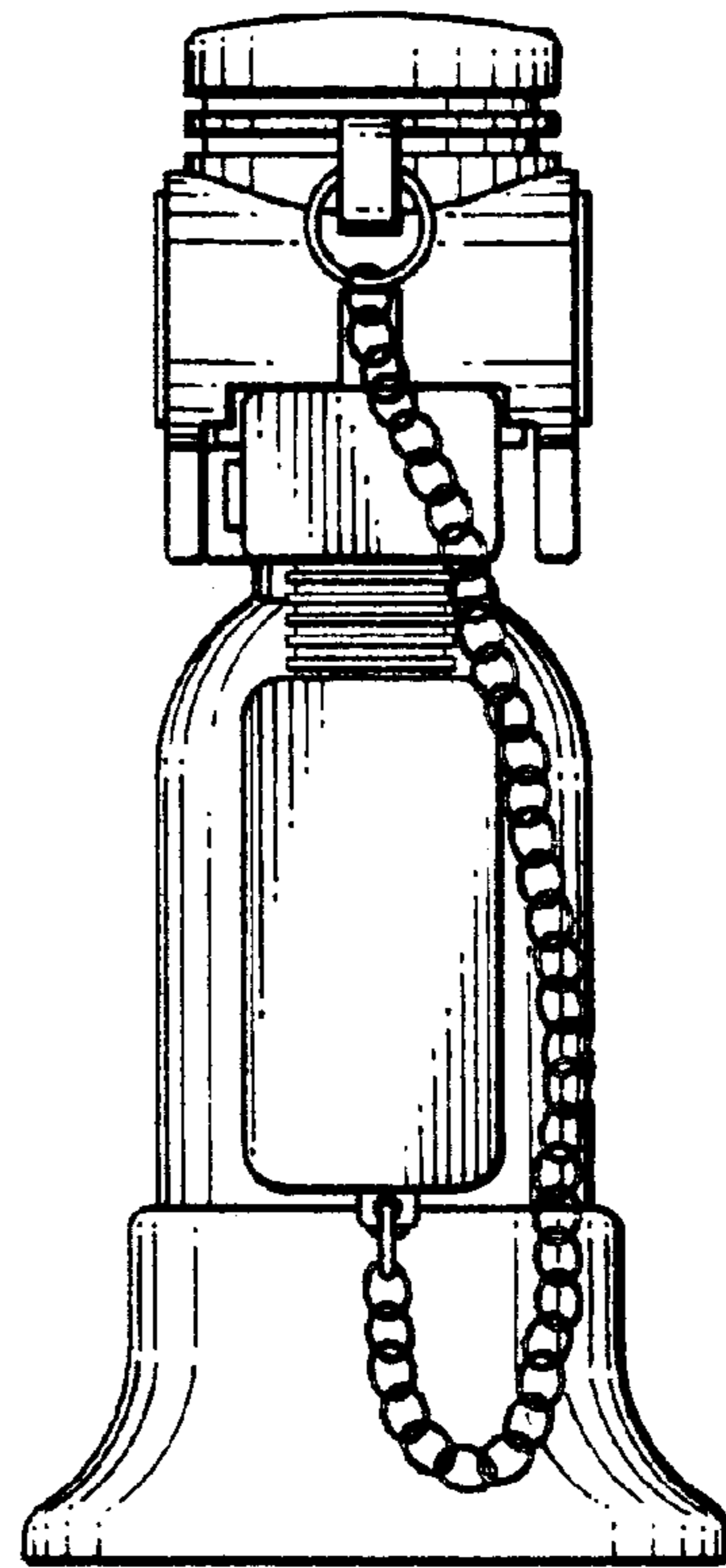


FIG. 5

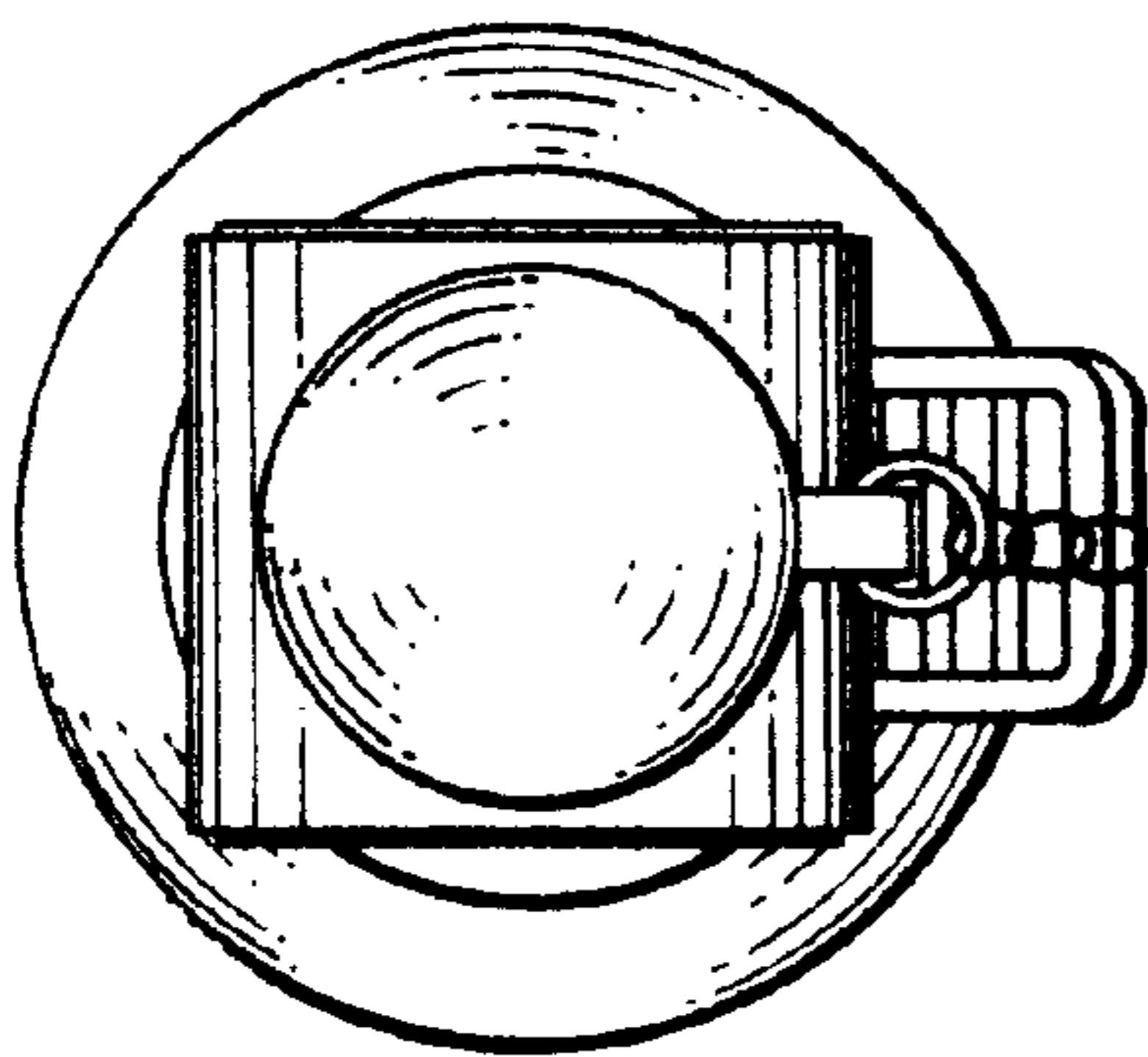


FIG. 6

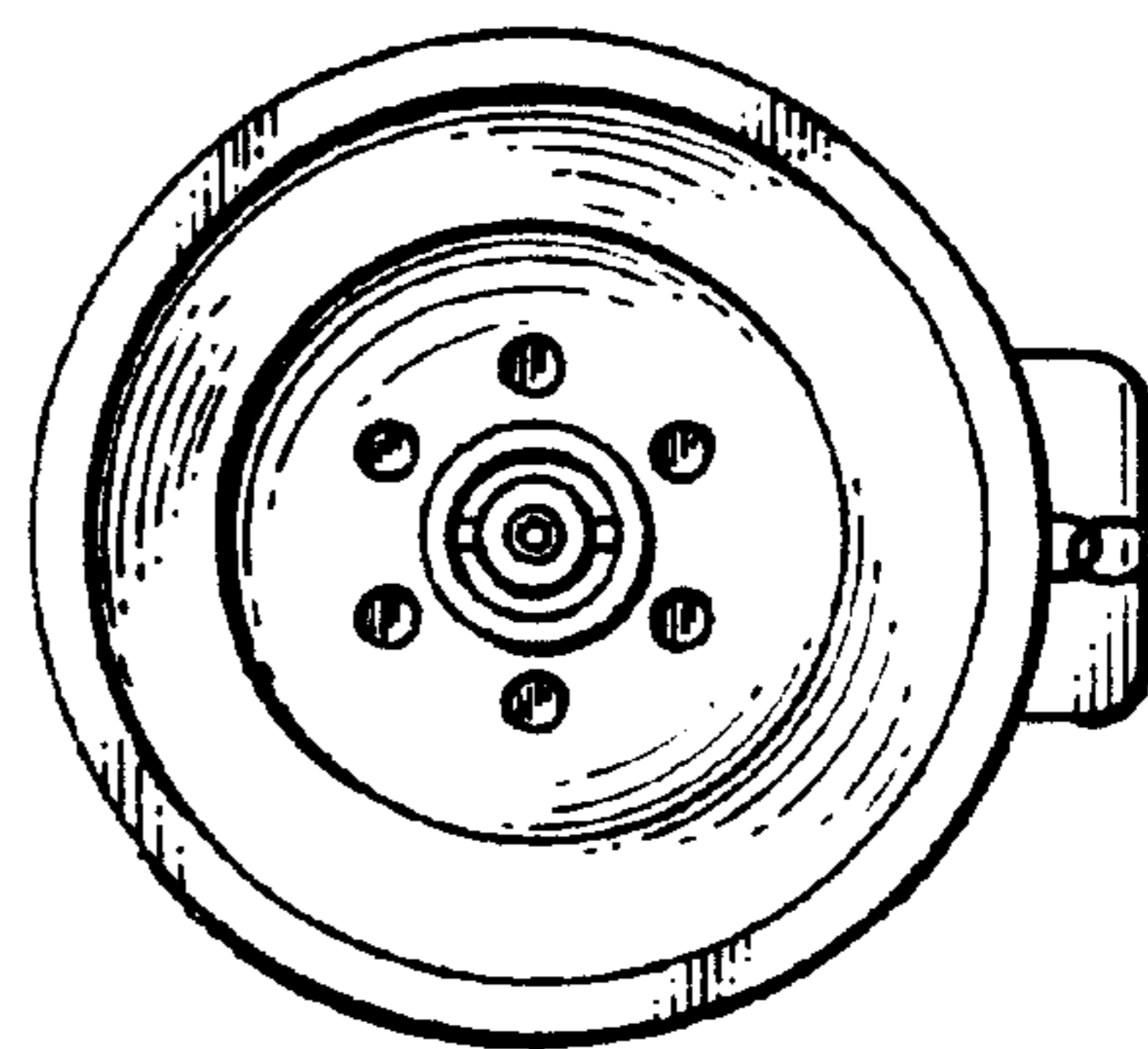


FIG. 7

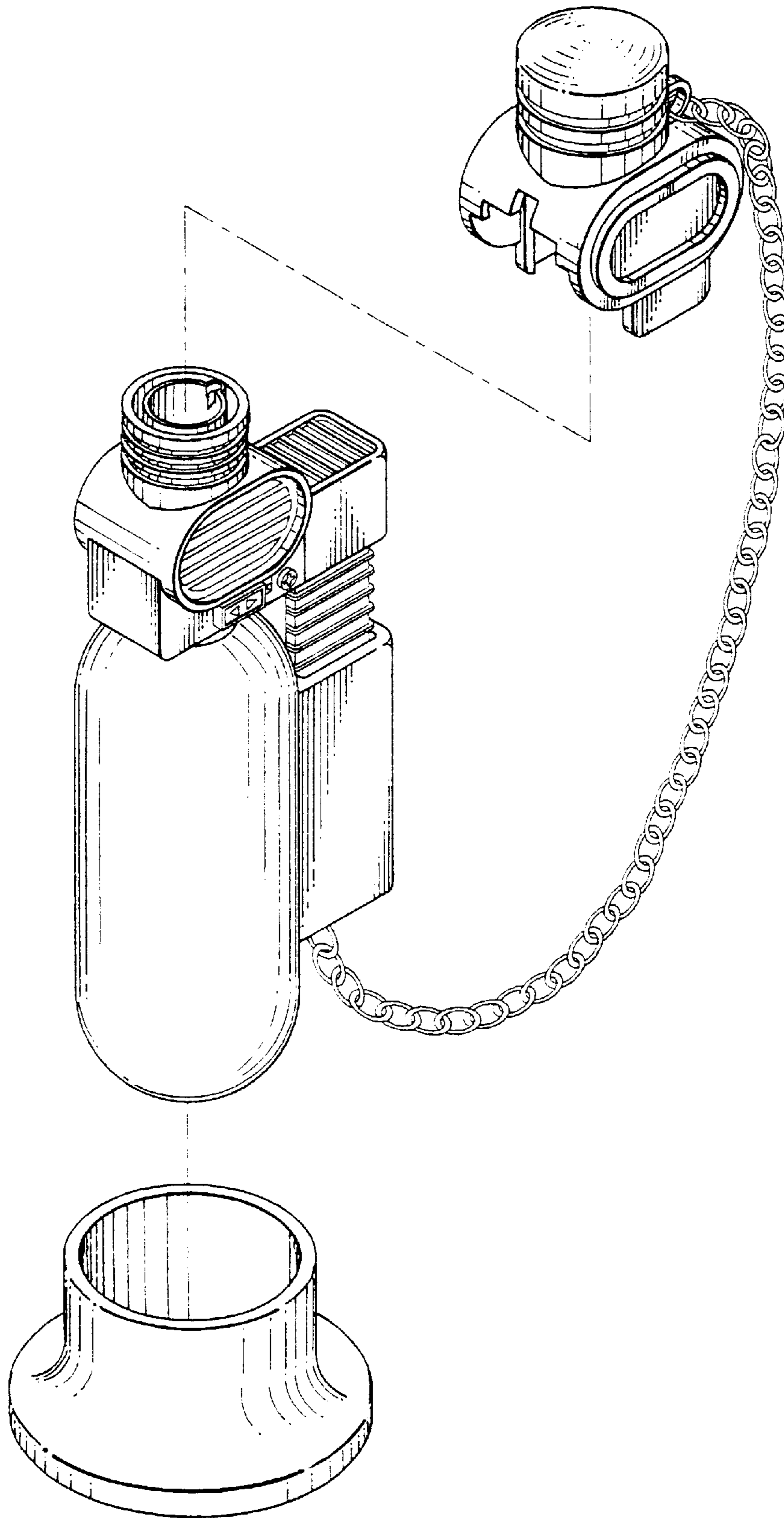


FIG. 8

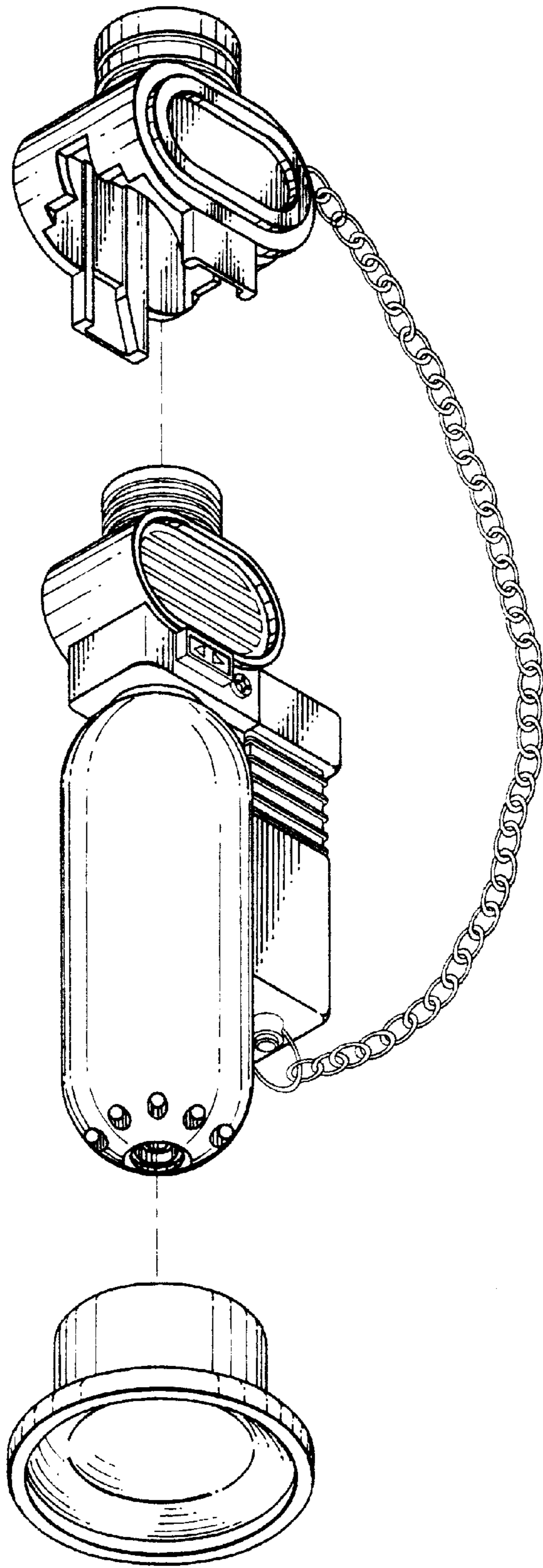


FIG. 9