



US00D410563S

United States Patent [19] Reynolds

[11] **Patent Number: Des. 410,563**

[45] **Date of Patent: ** Jun. 1, 1999**

[54] **COMBINED CIGAR LIGHTER AND CUTTER**

[75] Inventor: **Michael P. Reynolds**, Warwick, R.I.

[73] Assignee: **Colibri Corporation**, Providence, R.I.

[**] Term: **14 Years**

[21] Appl. No.: **29/088,246**

[22] Filed: **May 19, 1998**

[51] **LOC (6) Cl.** **27-05**

[52] **U.S. Cl.** **D27/143; D27/157**

[58] **Field of Search** 431/253, 135,
431/132, 125, 139, 254-256, 258, 263,
264; 131/249; D27/139-160

[56] **References Cited**

U.S. PATENT DOCUMENTS

D. 243,200	1/1977	Stuetzer	D27/154
D. 377,845	2/1997	Maruyama	D27/142
D. 387,474	12/1997	Fontainer, Jr.	D27/143

Primary Examiner—Susan J. Lucas
Assistant Examiner—Jennifer Rivard
Attorney, Agent, or Firm—Fish & Richardson P.C.

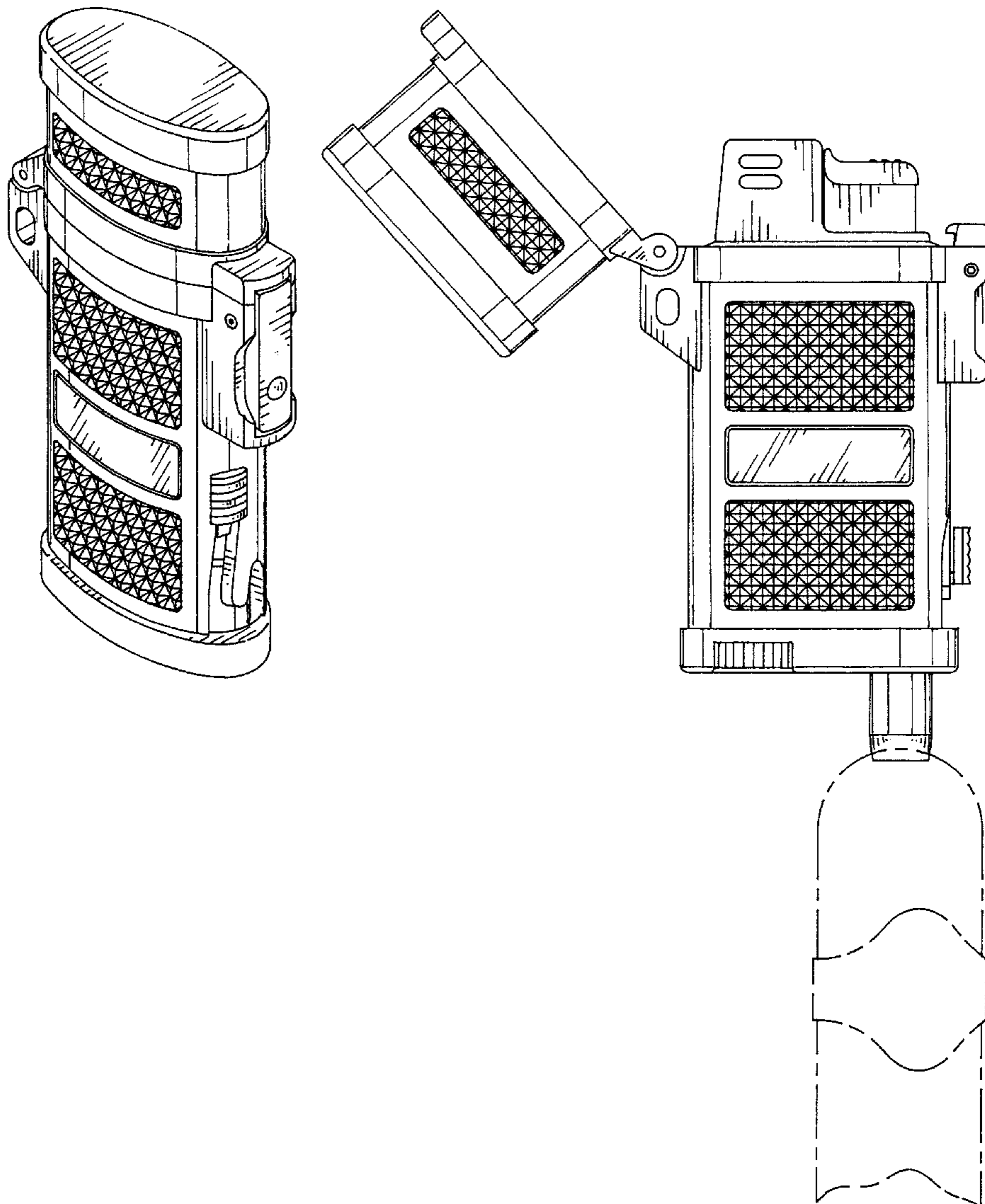
[57] **CLAIM**

The ornamental design for a combined cigar lighter and cutter, as shown and described.

DESCRIPTION

FIG. 1 is a perspective view of a combined cigar lighter and cutter showing my new design;
FIG. 2 is a front elevational view thereof;
FIG. 3 is a rear elevational view thereof;
FIG. 4 is a top plan view thereof;
FIG. 5 is a bottom plan view thereof;
FIG. 6 is a left side elevational view thereof;
FIG. 7 is a right side elevational view thereof; and,
FIG. 8 is a left side elevational view thereof showing the cover in open position and cigar cutter in operative position. The broken lines in FIG. 8 are for information only and form no part of the instant design.

1 Claim, 3 Drawing Sheets



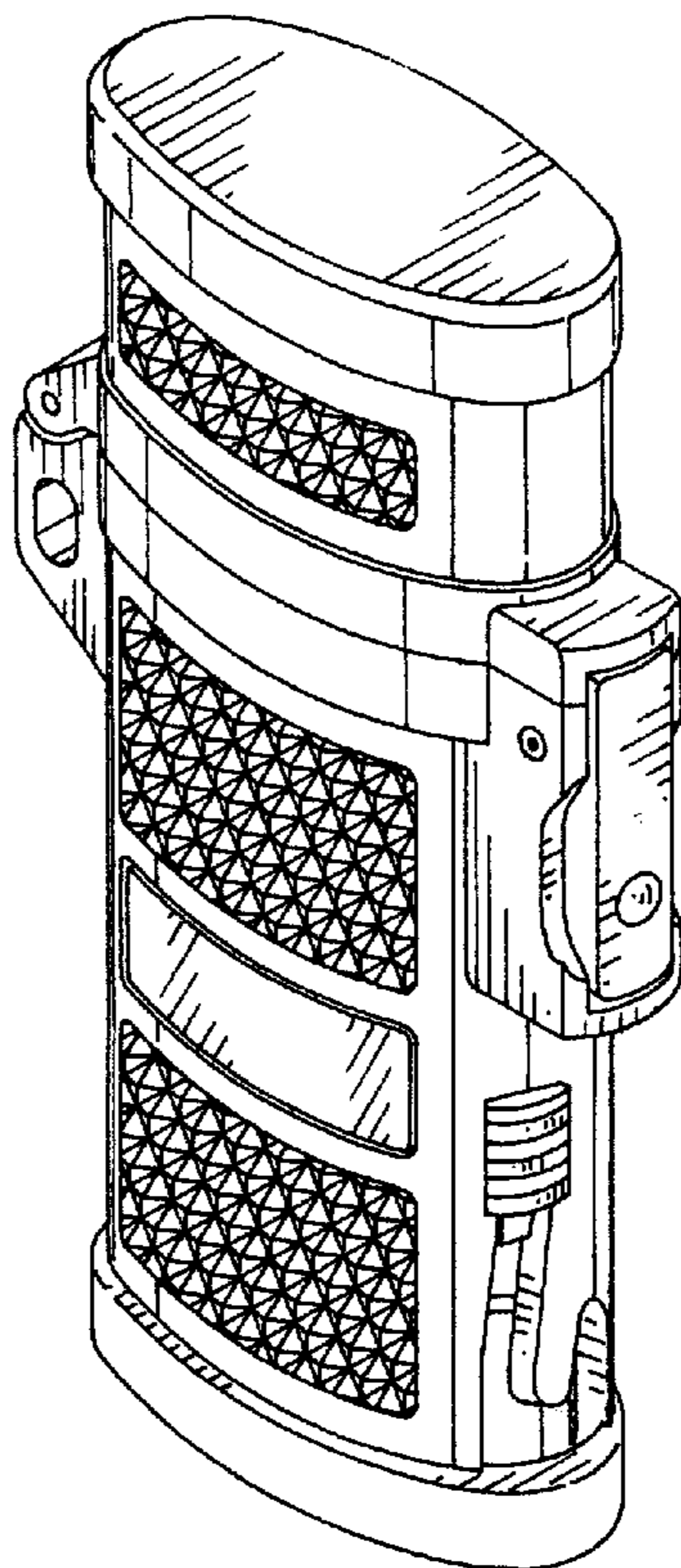


FIG. 1

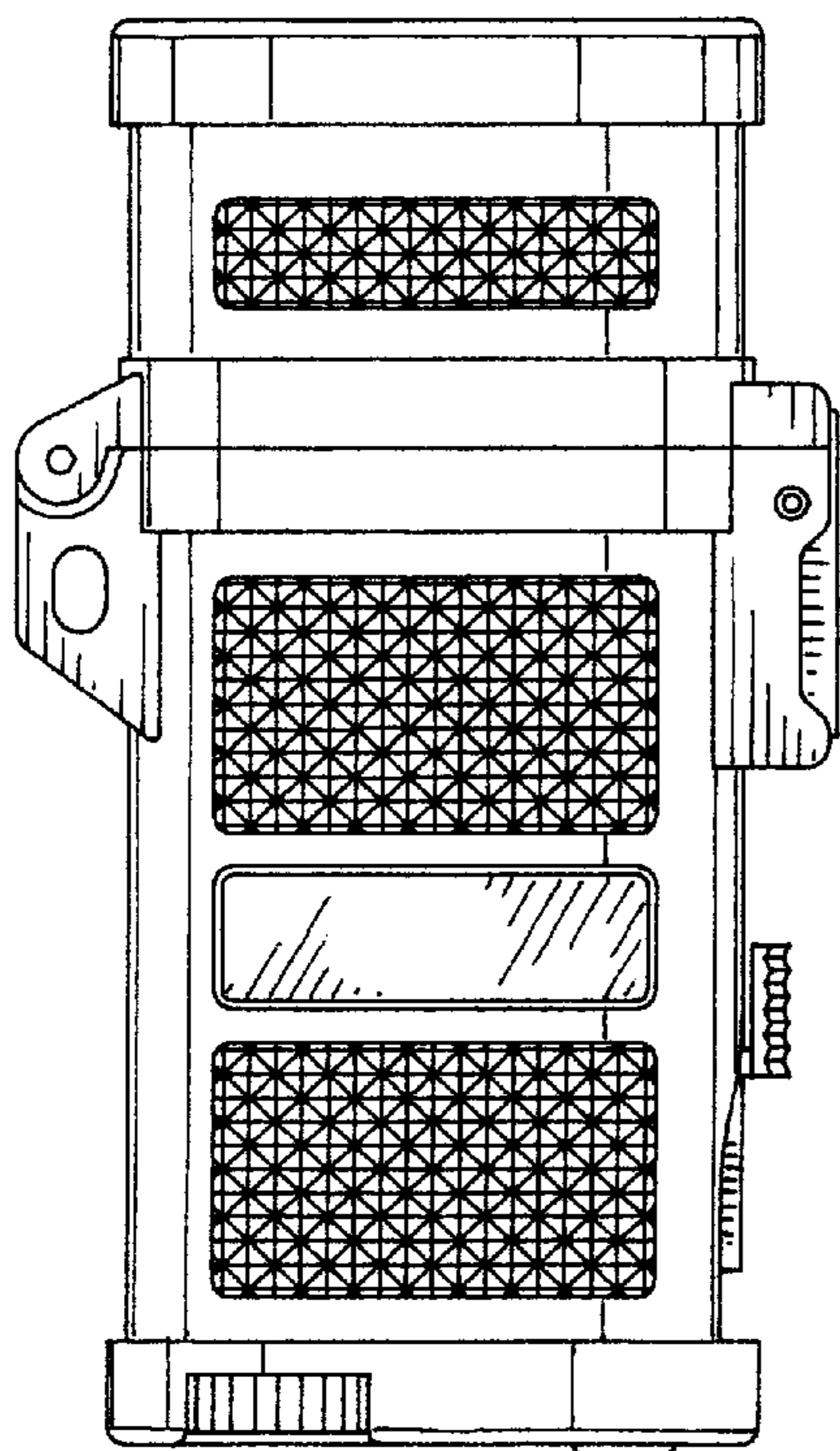


FIG. 2

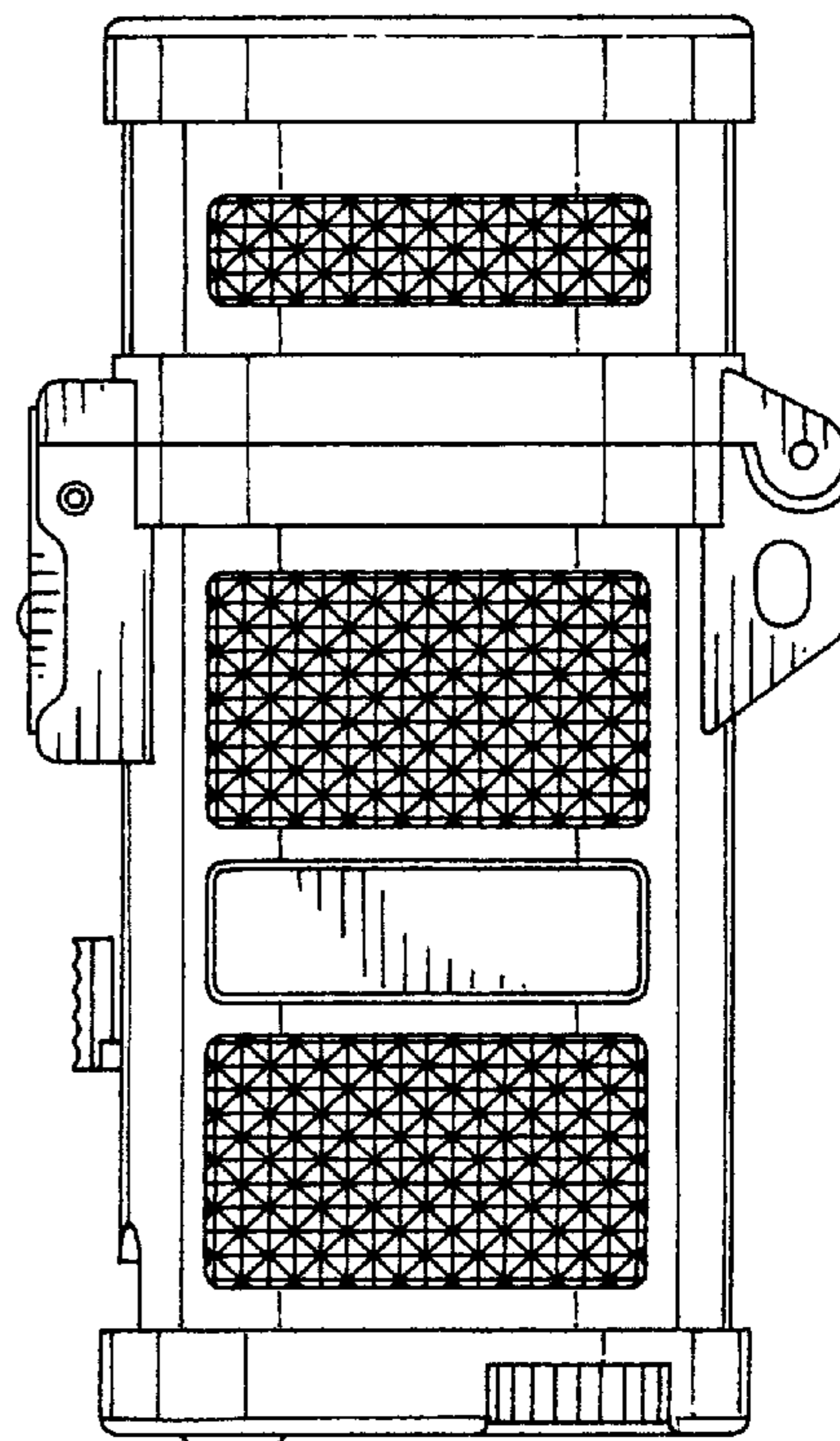


FIG. 3

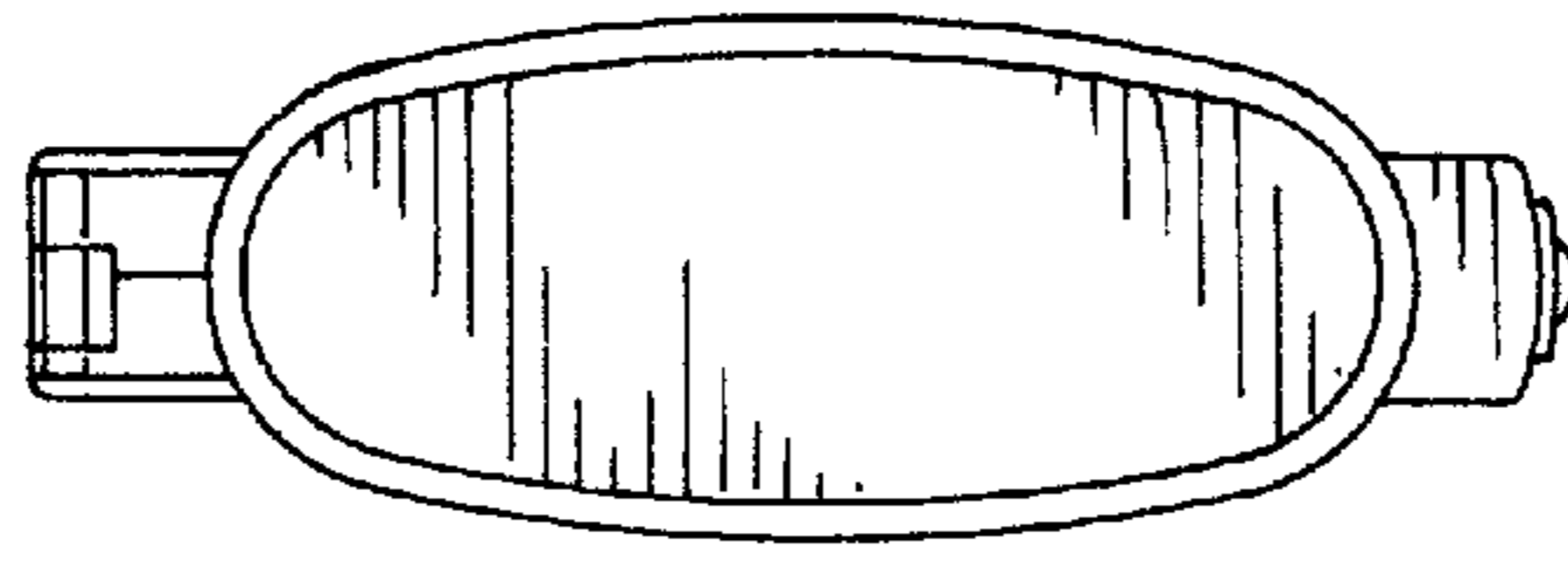


FIG. 4

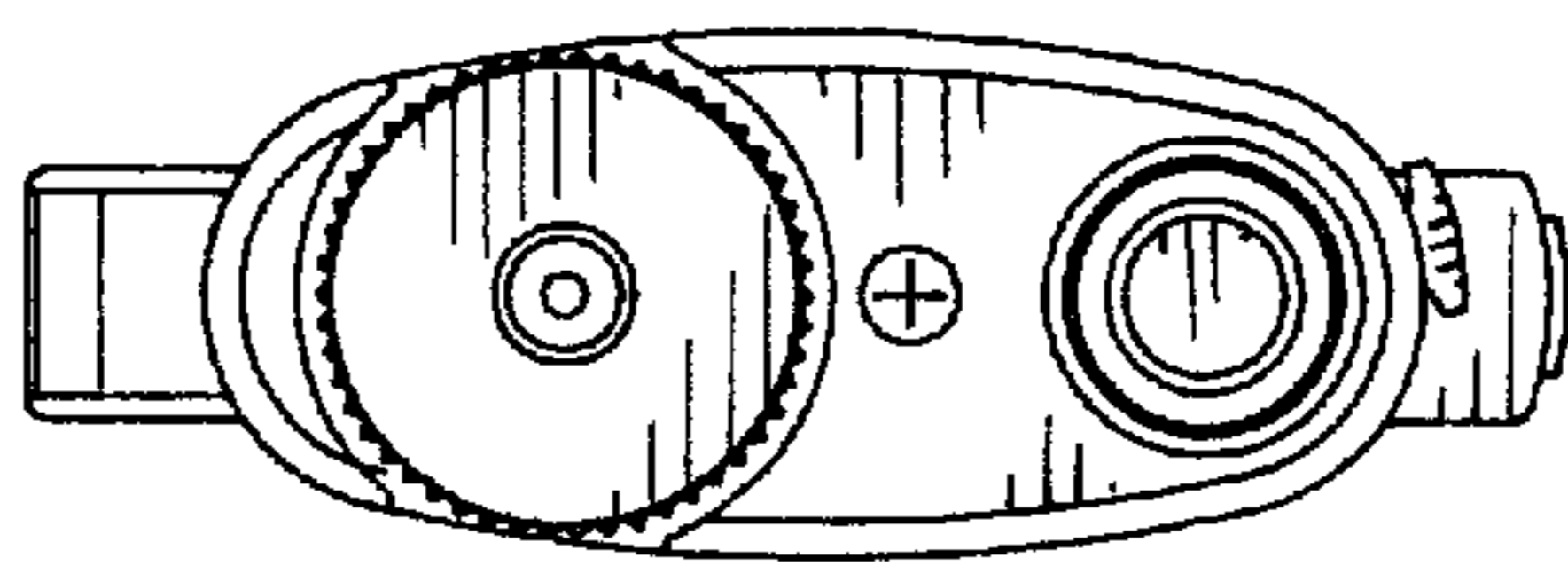


FIG. 5

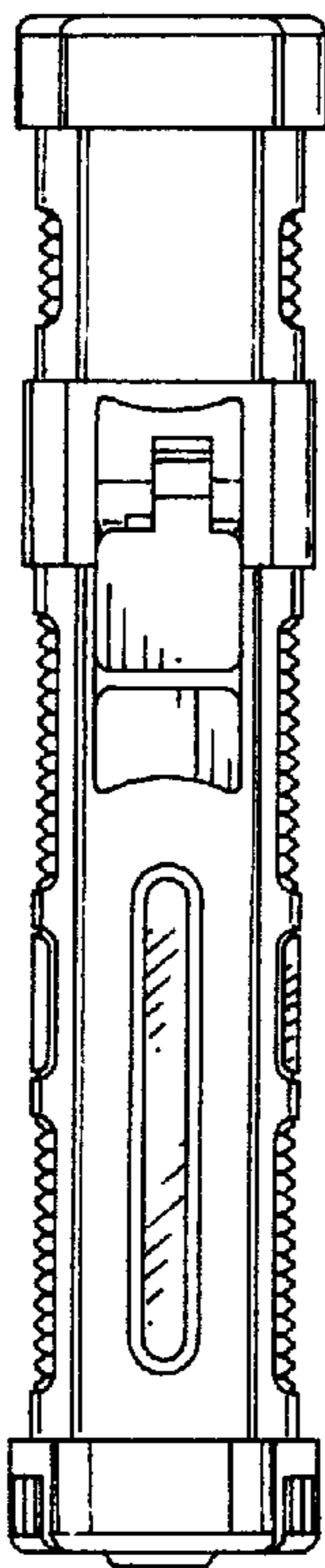


FIG. 6

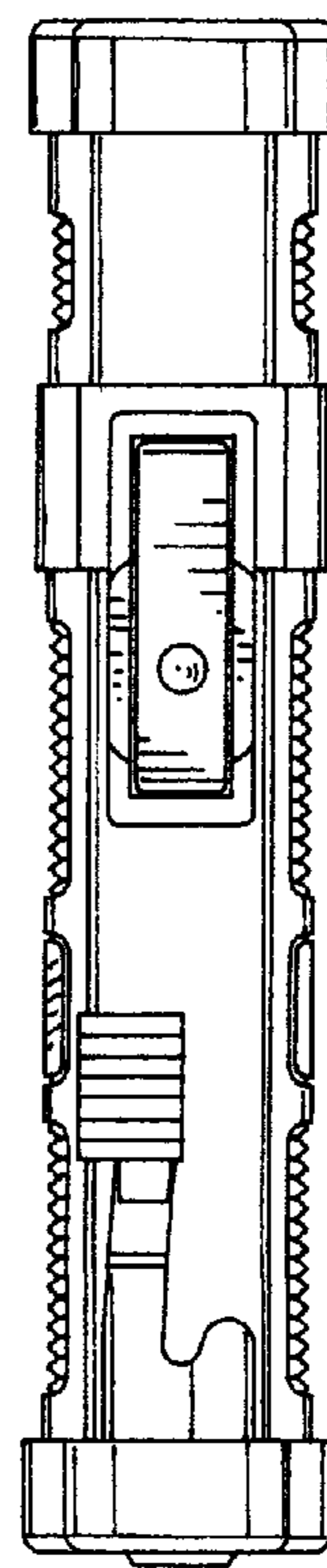


FIG. 7

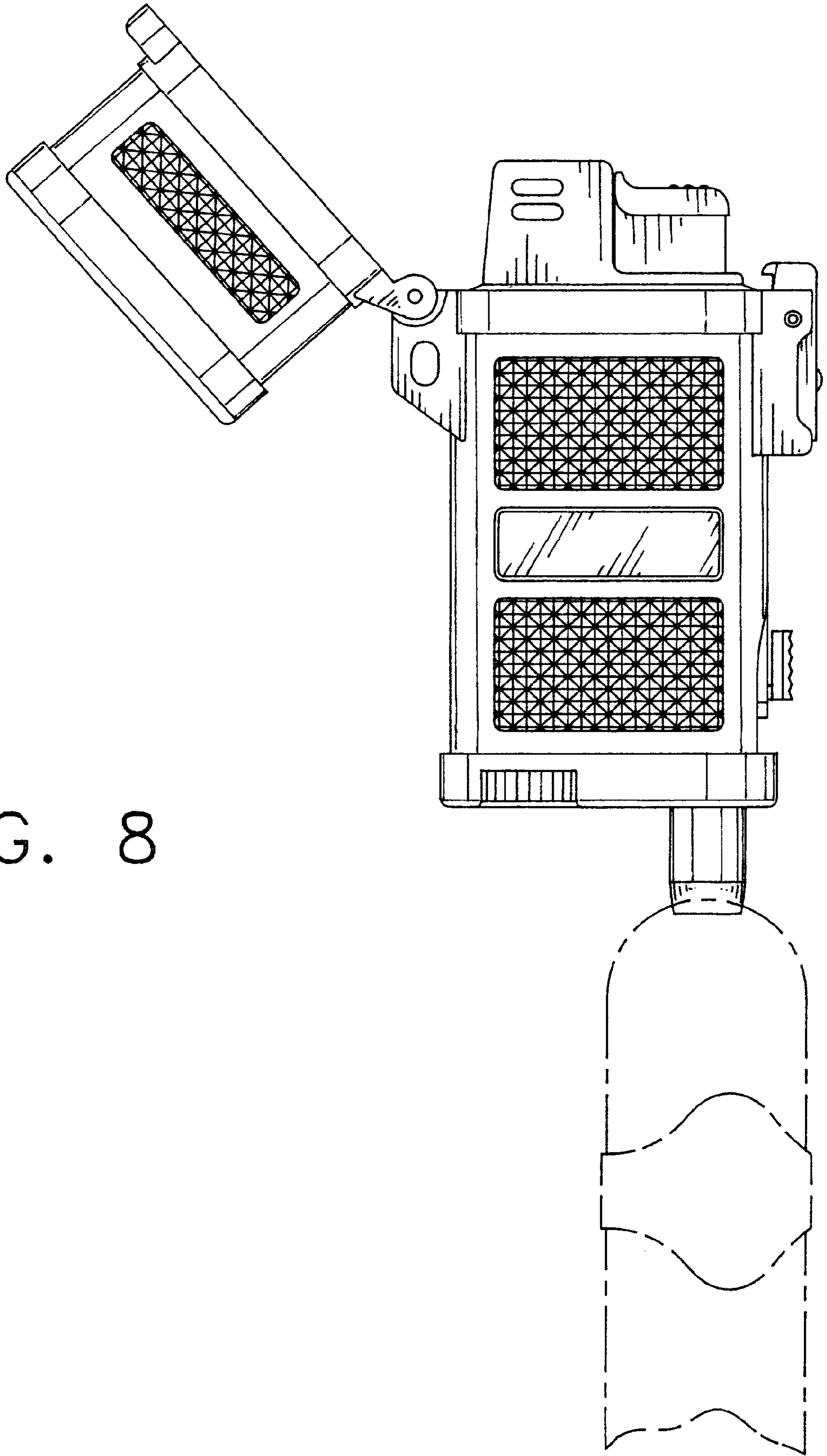


FIG. 8