



US00D410559S

United States Patent [19] Odgaard

[11] **Patent Number: Des. 410,559**
[45] **Date of Patent: ** *Jun. 1, 1999**

[54] **EXTERIOR LIGHTING FIXTURE**

Gardco Lighting catalog, p. 1, Form Ten-round, exterior lighting fixture, Jul. 1982.

[75] Inventor: **Mads Odgaard**, Copenhagen, Denmark

[73] Assignee: **Louis Poulsen & Co. A/S**,
Copenhagen, Denmark

Primary Examiner—Susan J. Lucas
Attorney, Agent, or Firm—Ladas & Parry

[*] Notice: This patent is subject to a terminal disclaimer.

[57] **CLAIM**

[**] Term: **14 Years**

The ornamental design for an exterior lighting fixture, as shown and described.

[21] Appl. No.: **29/069,088**

[22] Filed: **Apr. 9, 1997**

[30] **Foreign Application Priority Data**

Oct. 9, 1996 [DK] Denmark MA 1996 0962

[51] **LOC (6) Cl.** **26-05**

[52] **U.S. Cl.** **D26/68**

[58] **Field of Search** D26/67-70, 92,
D26/87; 362/147, 153, 153.1, 431, 432

DESCRIPTION

FIG. 1 is a perspective view of an exterior lighting fixture showing my new design;

FIG. 2 is a front elevational view thereof;

FIG. 3 is a right side elevational view thereof, the left side elevational view being a mirror image thereof;

FIG. 4 is a rear elevational view thereof;

FIG. 5 is a top plan view thereof; and,

FIG. 6 is a bottom plan view thereof.

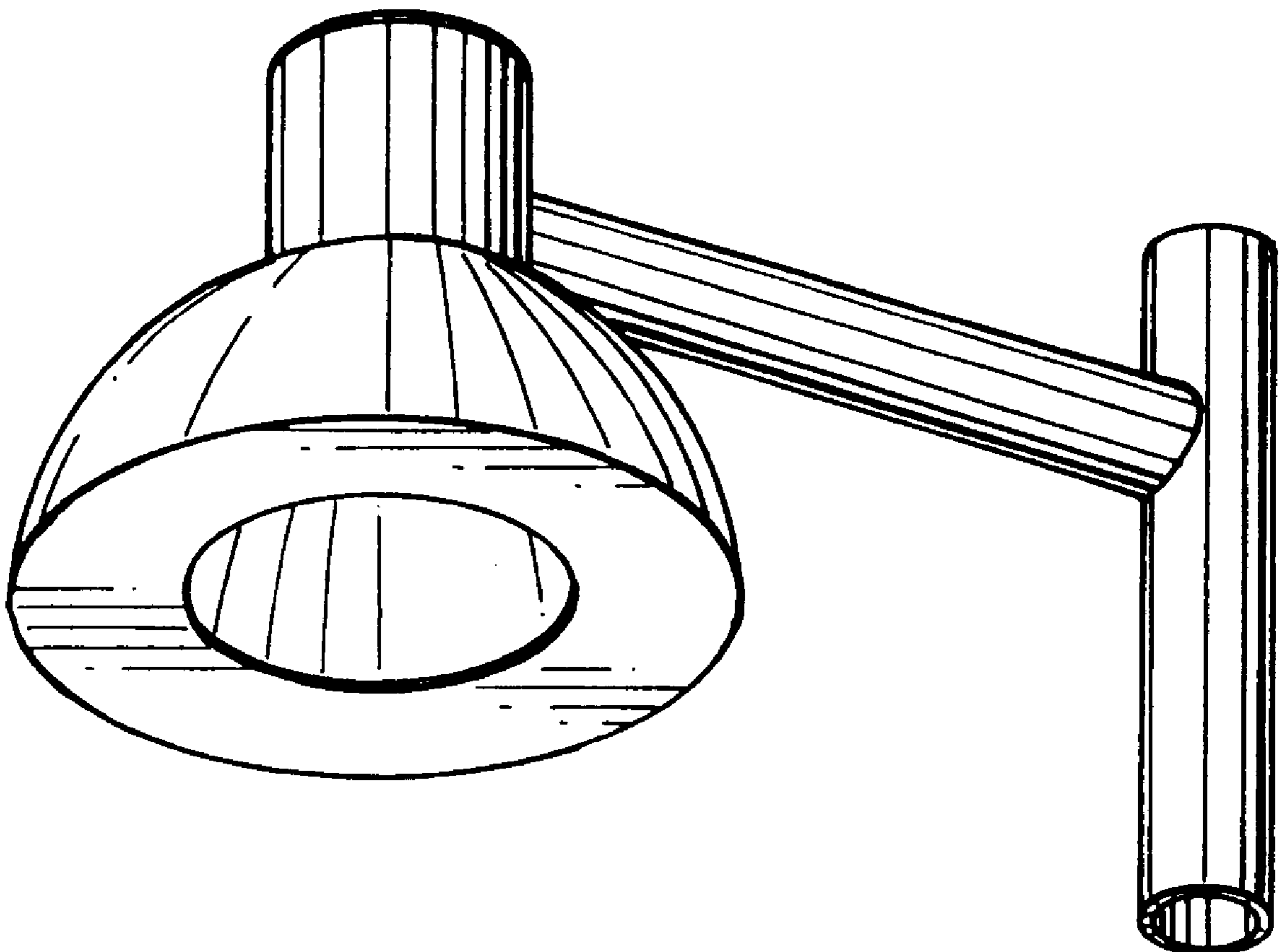
[56] **References Cited**

PUBLICATIONS

Home Lighting and Accessories, p. 34, exterior lighting fixture, bottom left, Mar. 1995.

Yamigawa lighting catalog No. 3, p. 140, exterior lighting fixture, top, 1993-1994.

1 Claim, 1 Drawing Sheet



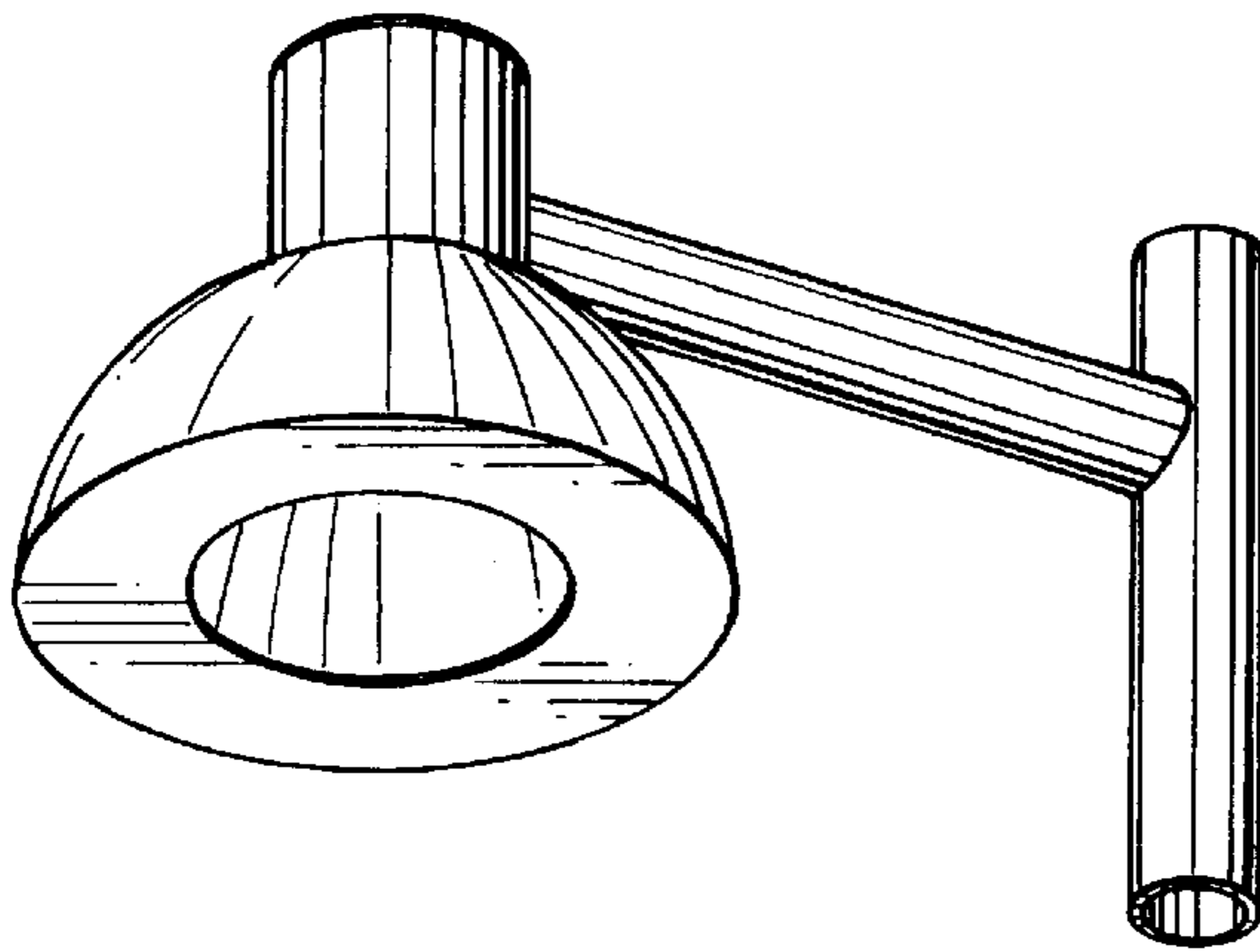


FIG. 1

FIG. 5

FIG. 2

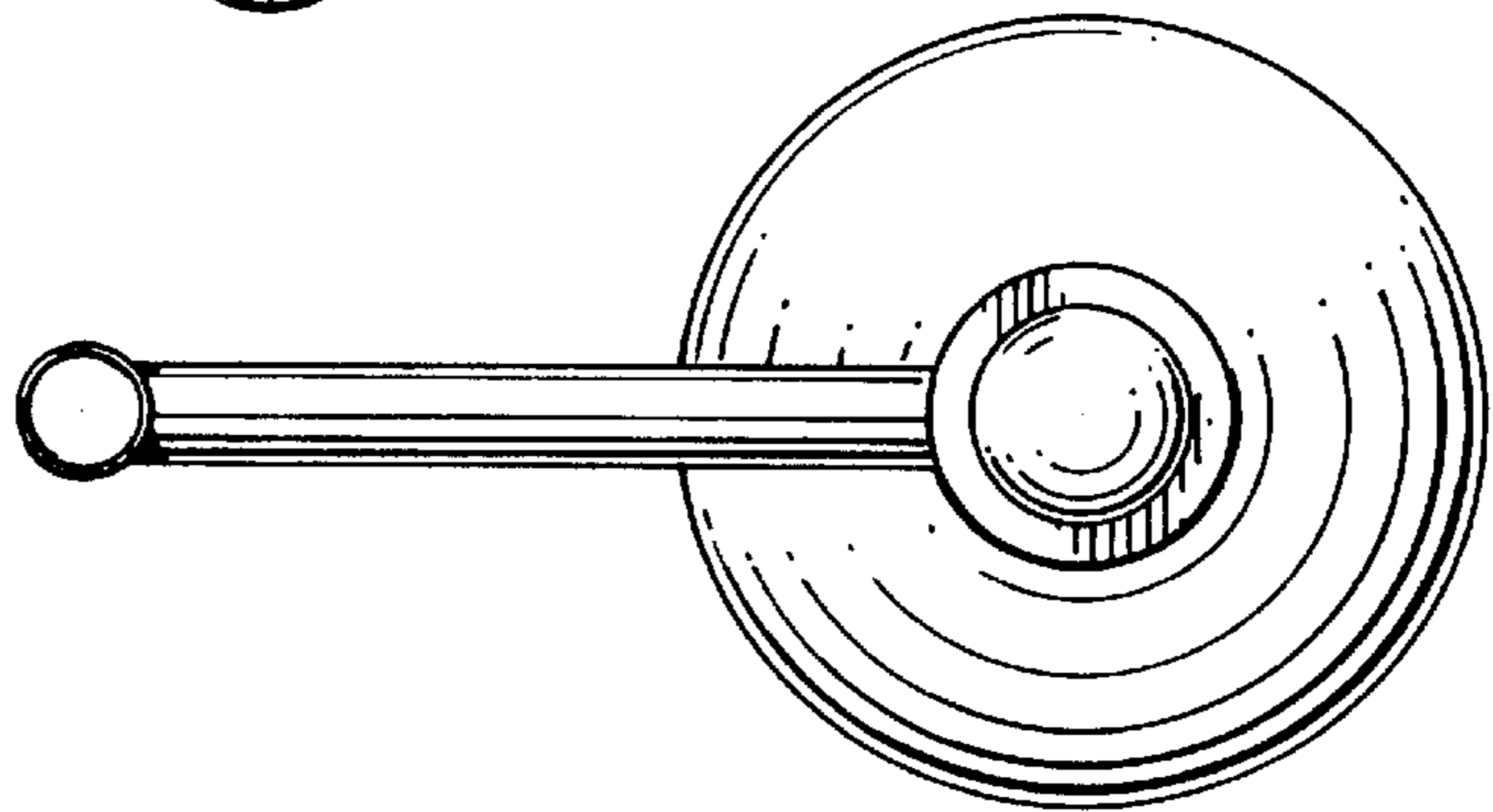
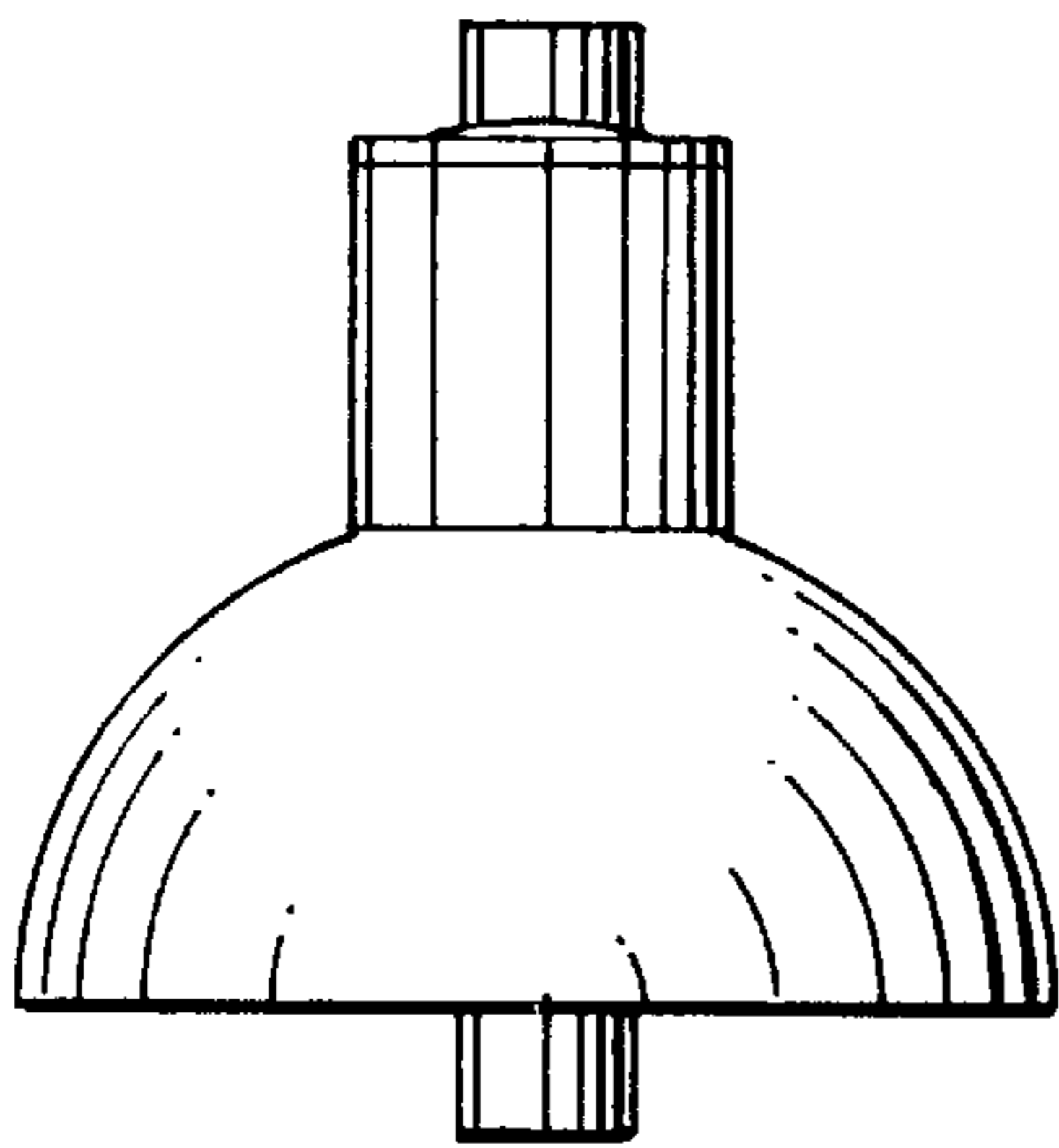


FIG. 3

FIG. 4

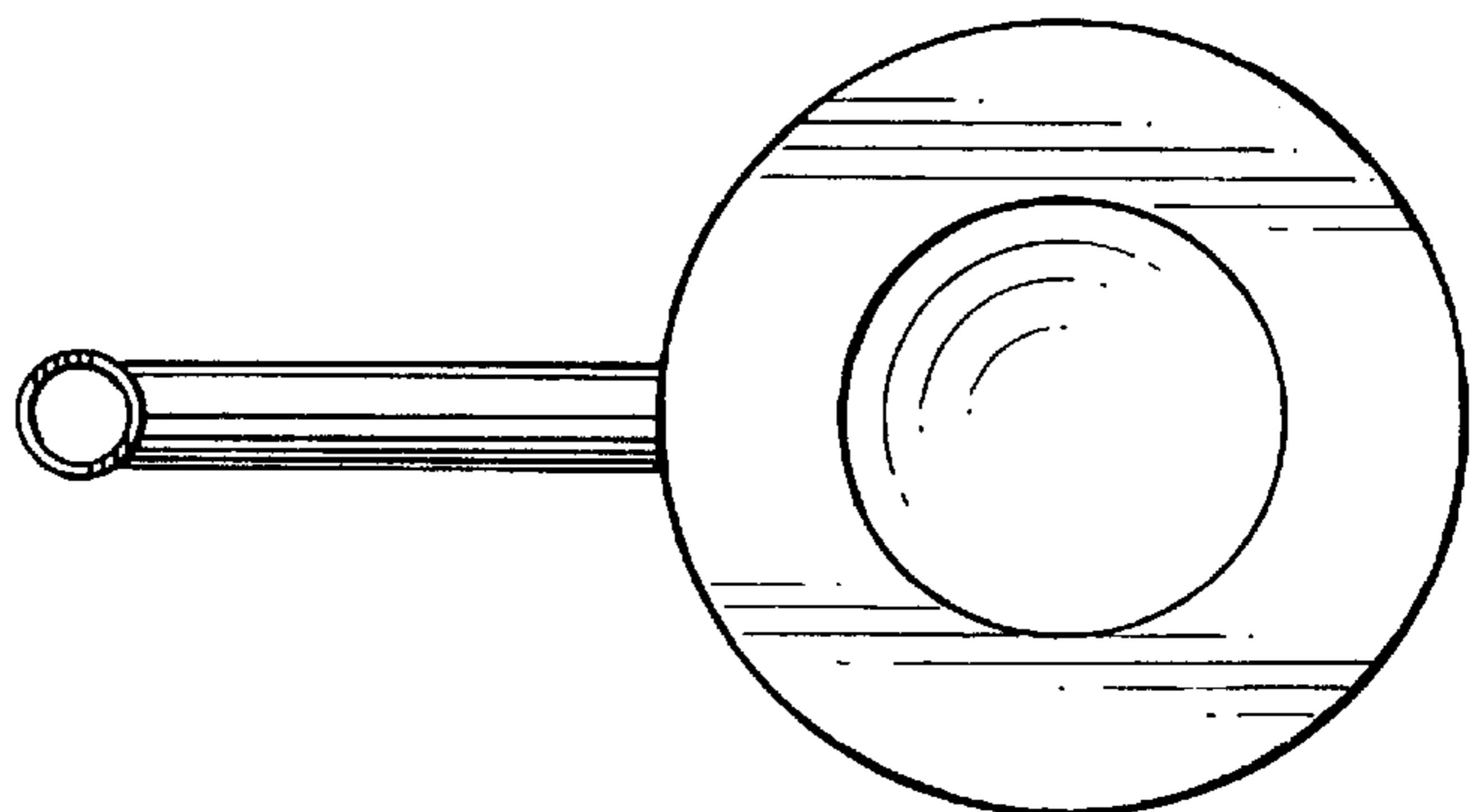
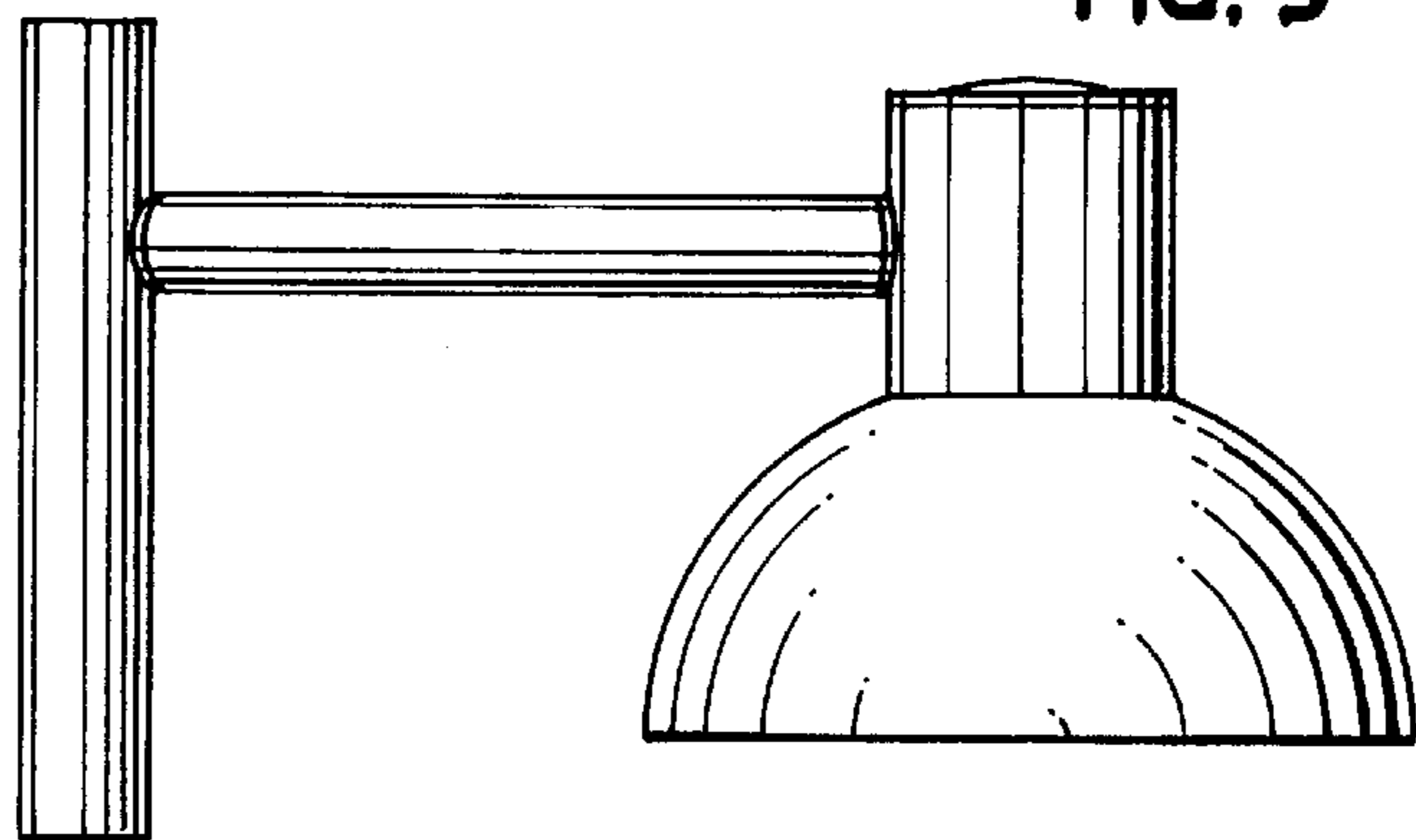
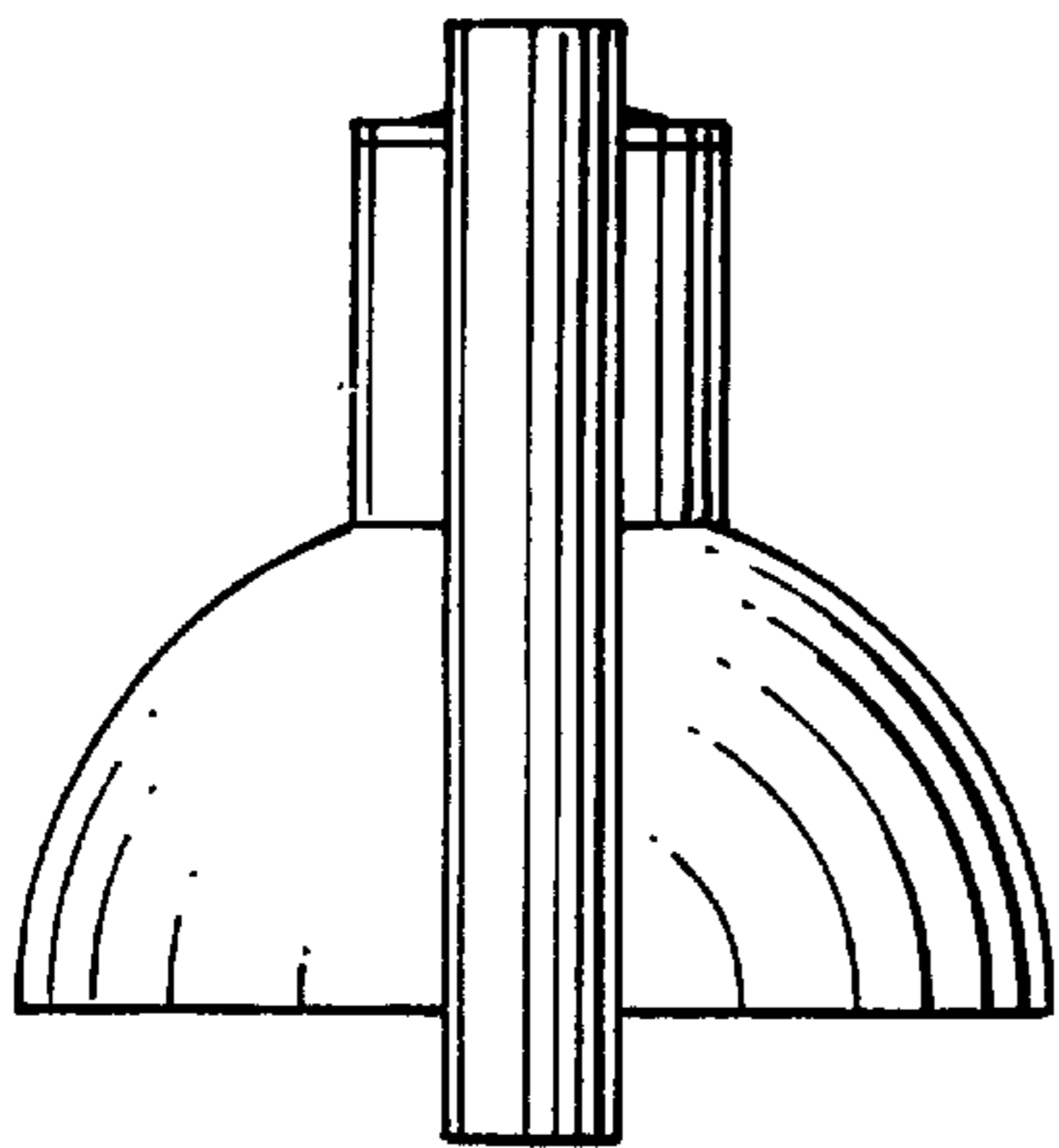


FIG. 6