



US00D410554S

United States Patent [19] Guyton

[11] Patent Number: Des. 410,554

[45] Date of Patent: ** Jun. 1, 1999

[54] INCANDESCENT LAMP

4,600,857 7/1986 Suhar D26/2

[76] Inventor: Raymond Guyton, 902 W. Winona #35, Chicago, Ill. 60640-3231

Primary Examiner—Marcus A. Jackson

[**] Term: 14 Years

[57] CLAIM

The ornamental design for a novelty incandescent lamp, as shown.

[21] Appl. No.: 29/094,378

[22] Filed: Oct. 1, 1998

DESCRIPTION

[51] LOC (6) Cl. 26-04

[52] U.S. Cl. D26/2

[58] Field of Search D26/1, 2, 3; 313/313, 313/315, 316, 317, 318

FIG. 1 is a front elevational view of the novelty incandescent lamp of the present invention;

FIG. 2 is a back elevational view of the novelty incandescent lamp of FIG. 1;

FIG. 3 is a left side elevational view of the novelty incandescent lamp of FIG. 1;

FIG. 4 is a right side elevational view of the novelty incandescent lamp of FIG. 1;

FIG. 5 is a top plan view of the novelty incandescent lamp of FIG. 1; and,

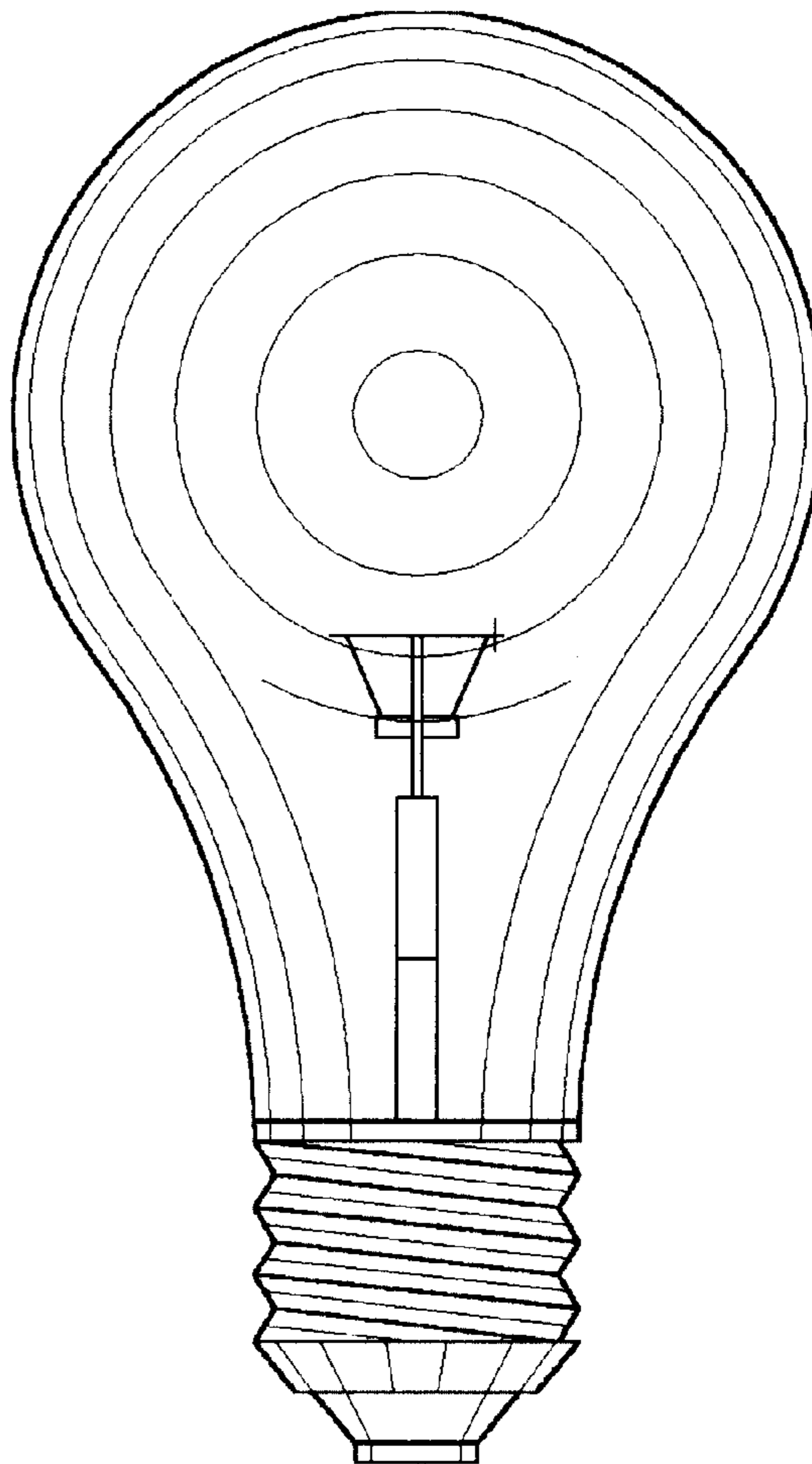
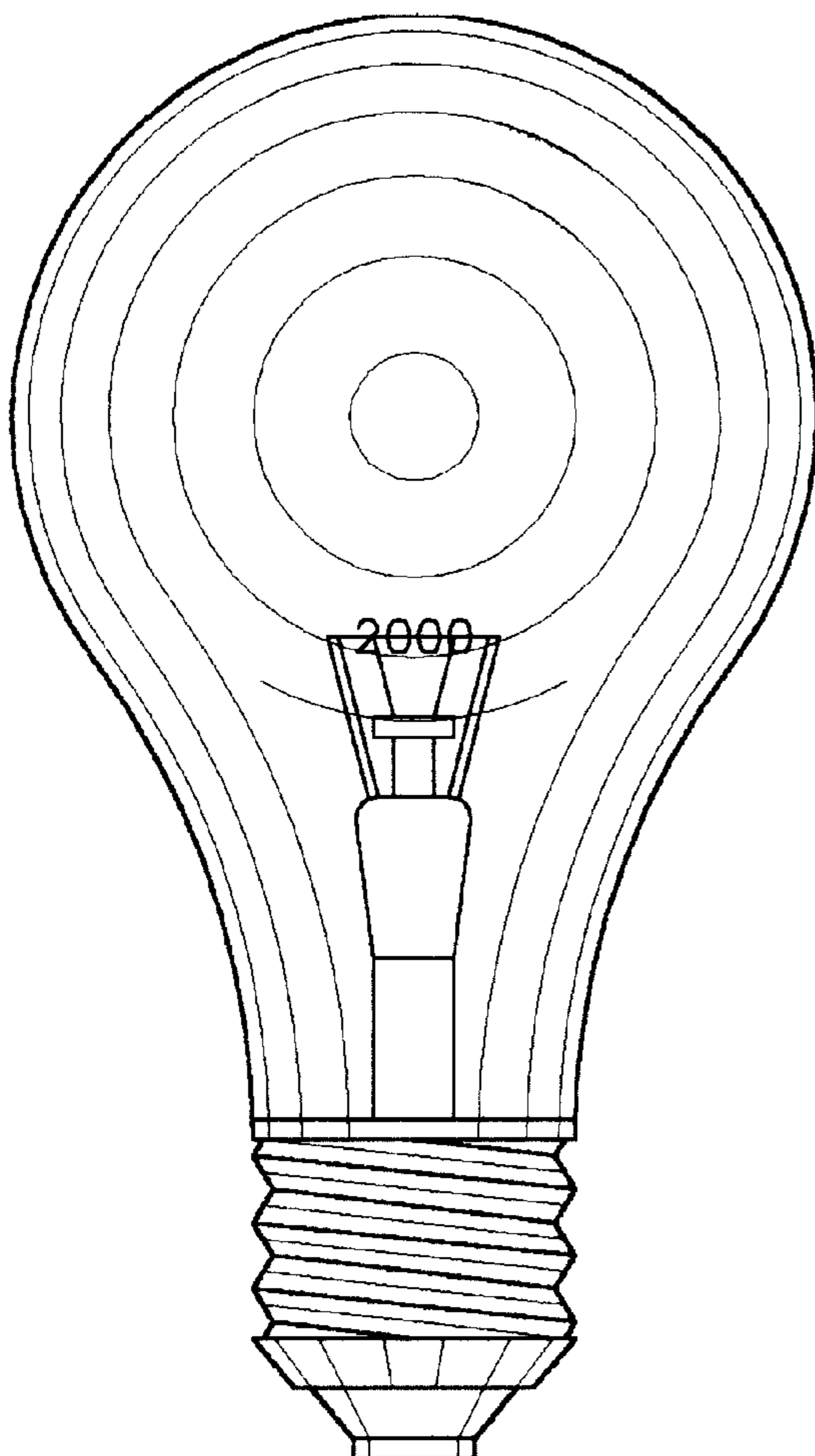
FIG. 6 is a bottom plan view of the novelty incandescent lamp of FIG. 1.

[56] References Cited

U.S. PATENT DOCUMENTS

D. 268,569	4/1983	Heatwole	D26/2
D. 340,295	10/1993	Beauchamp	D26/2
D. 355,038	1/1995	Ortin	D26/2
D. 394,512	5/1998	Vakil	D26/2
3,889,154	6/1975	Thouret et al.	D26/2

1 Claim, 3 Drawing Sheets



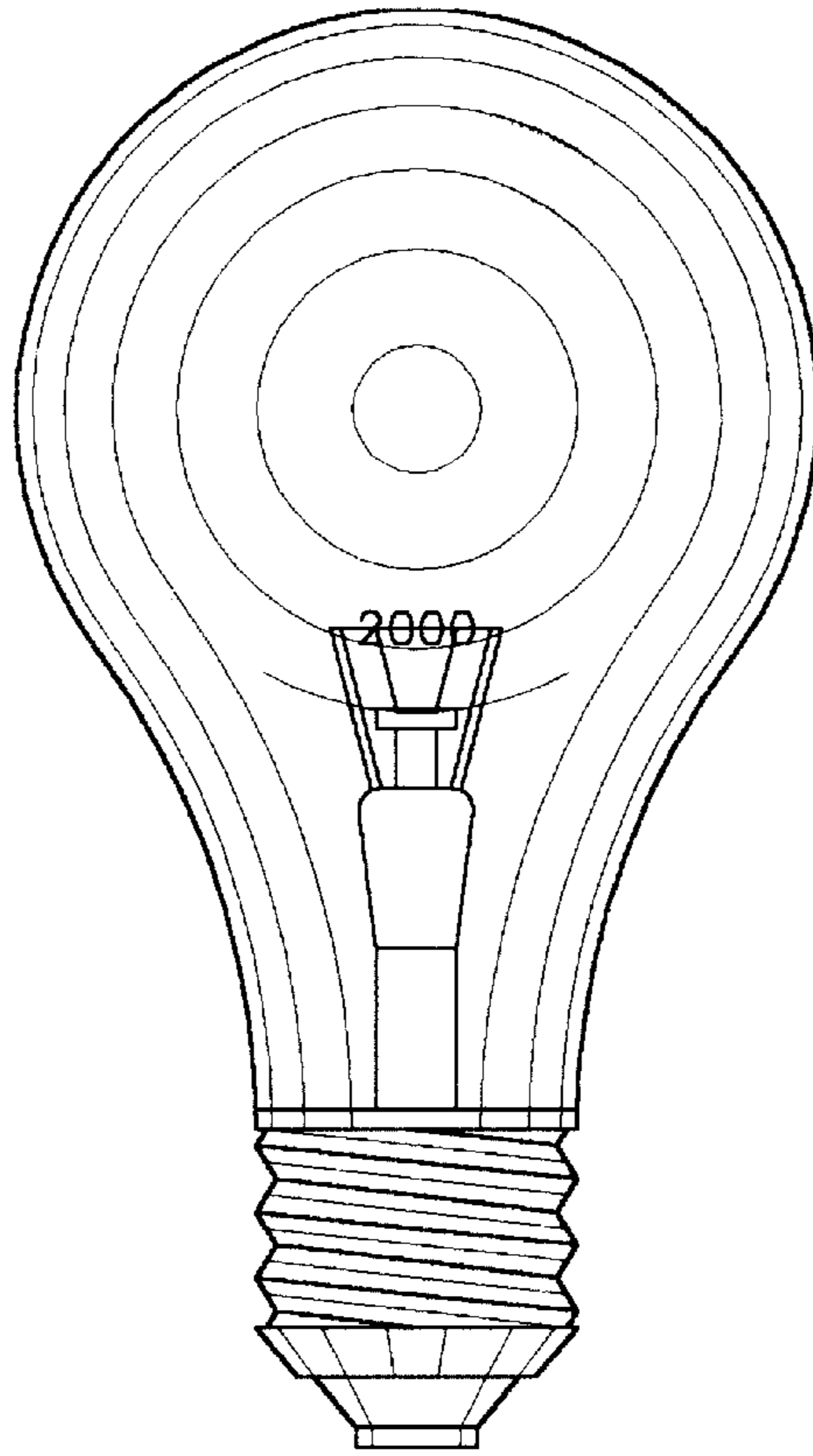


Fig. 1

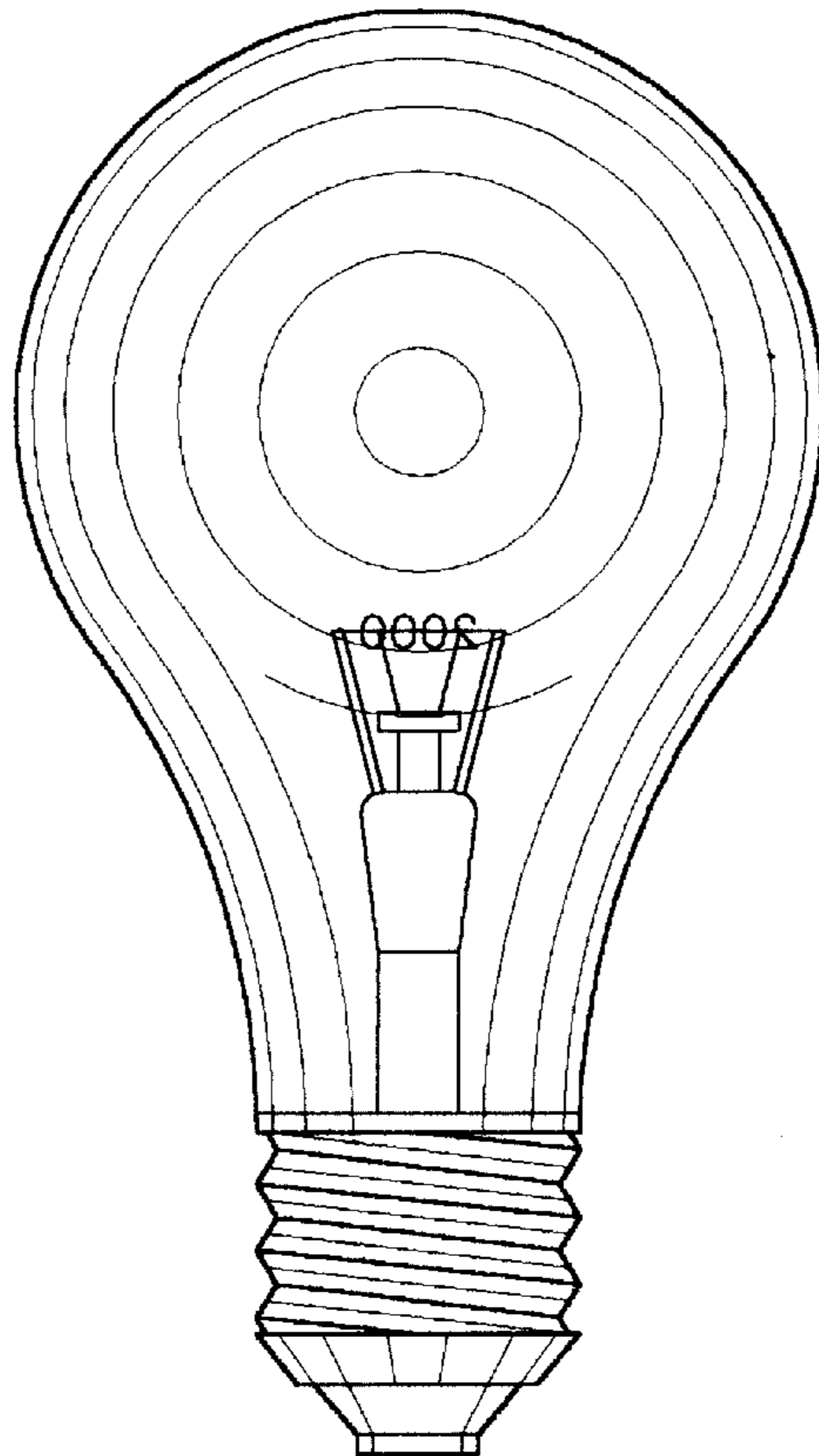


Fig. 2

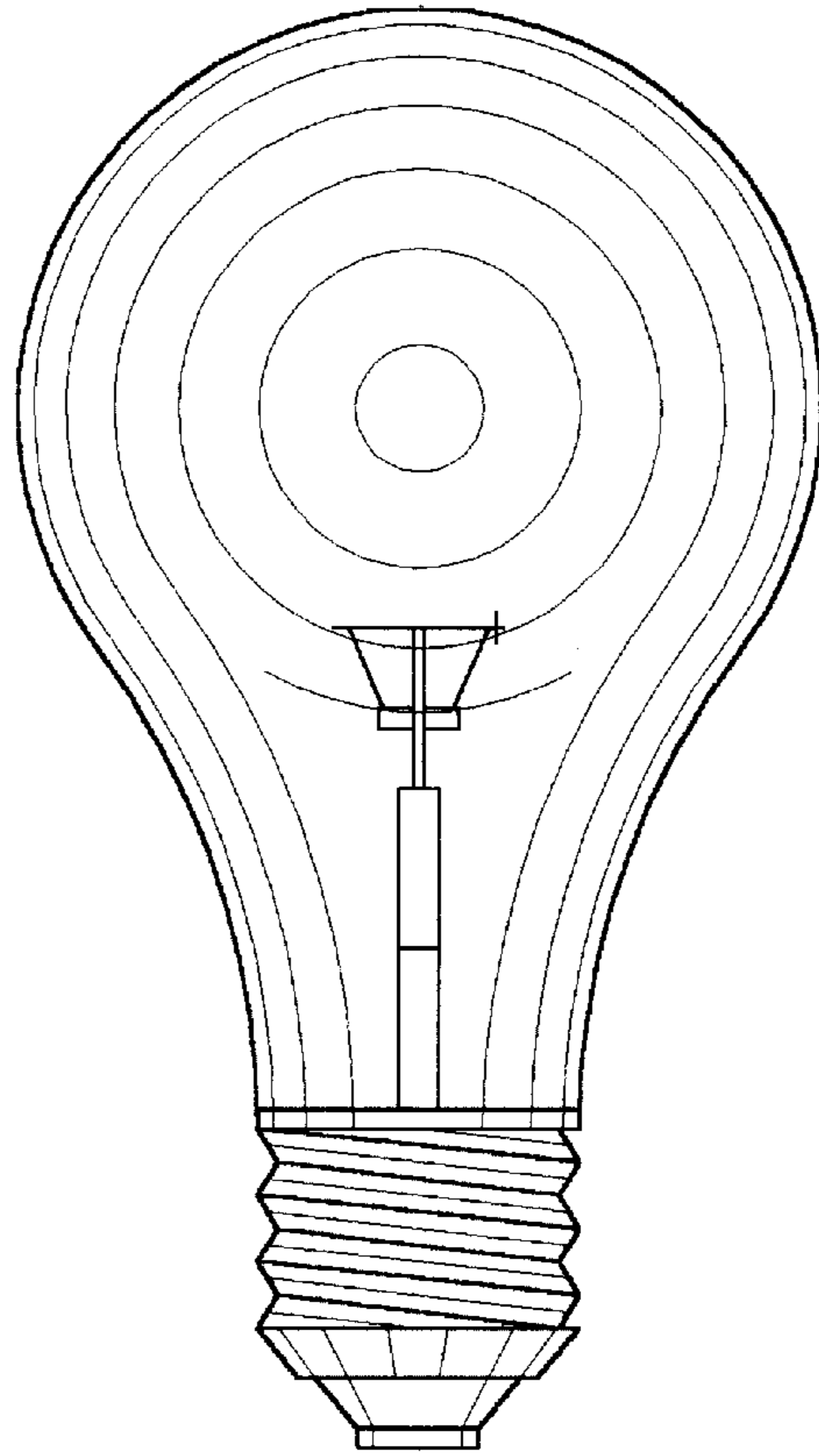


Fig. 3

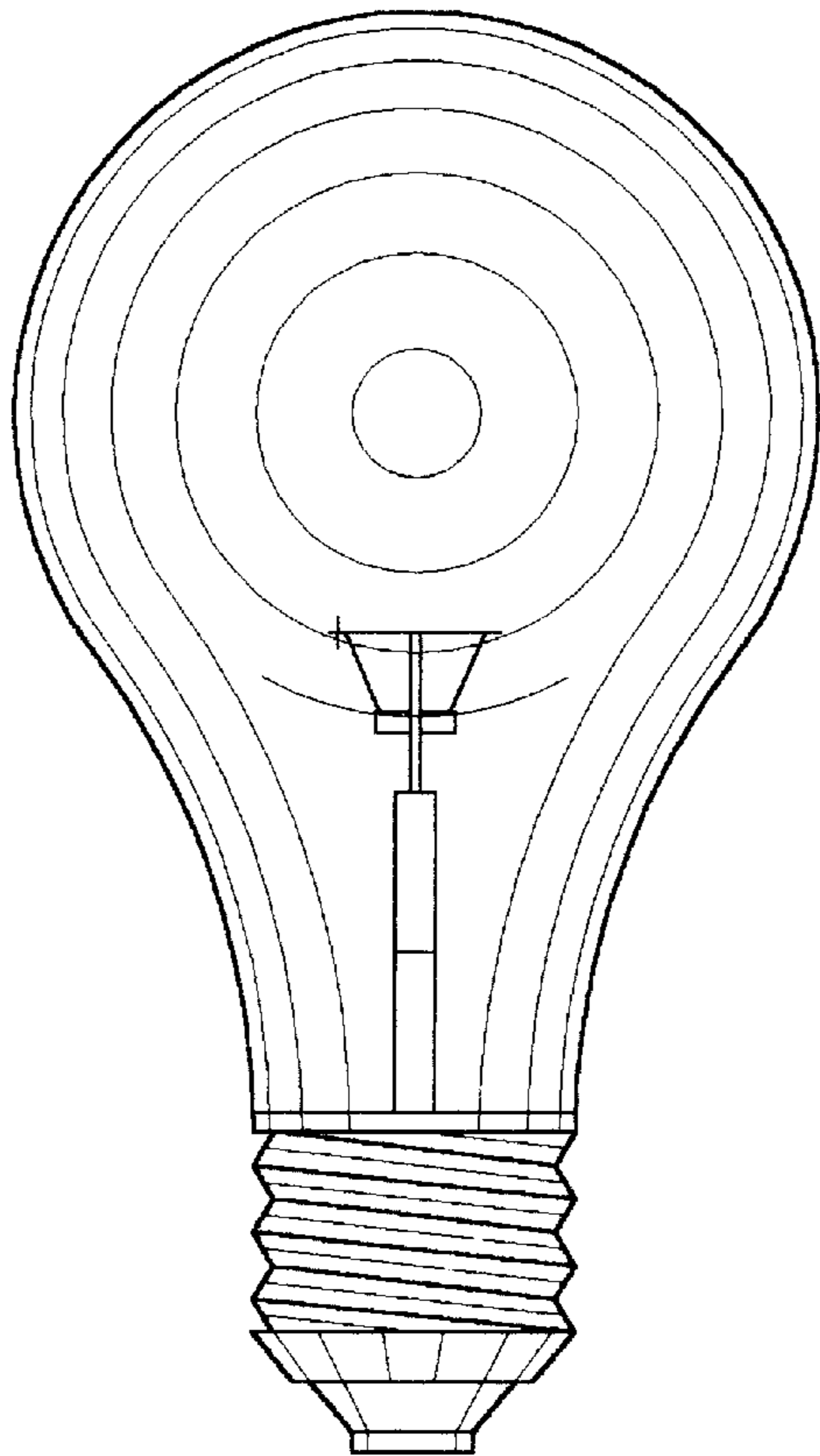


Fig. 4

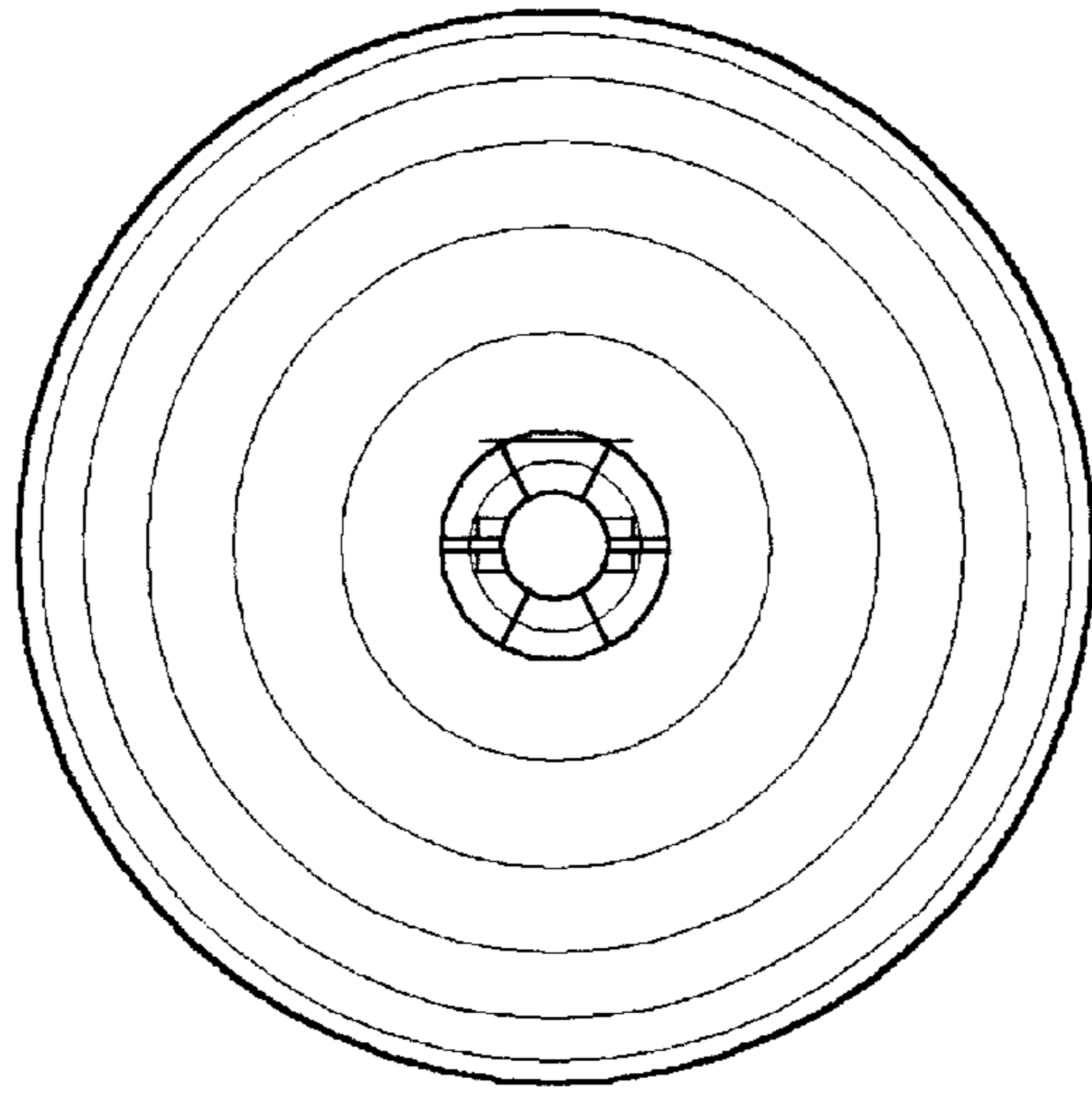


Fig. 5

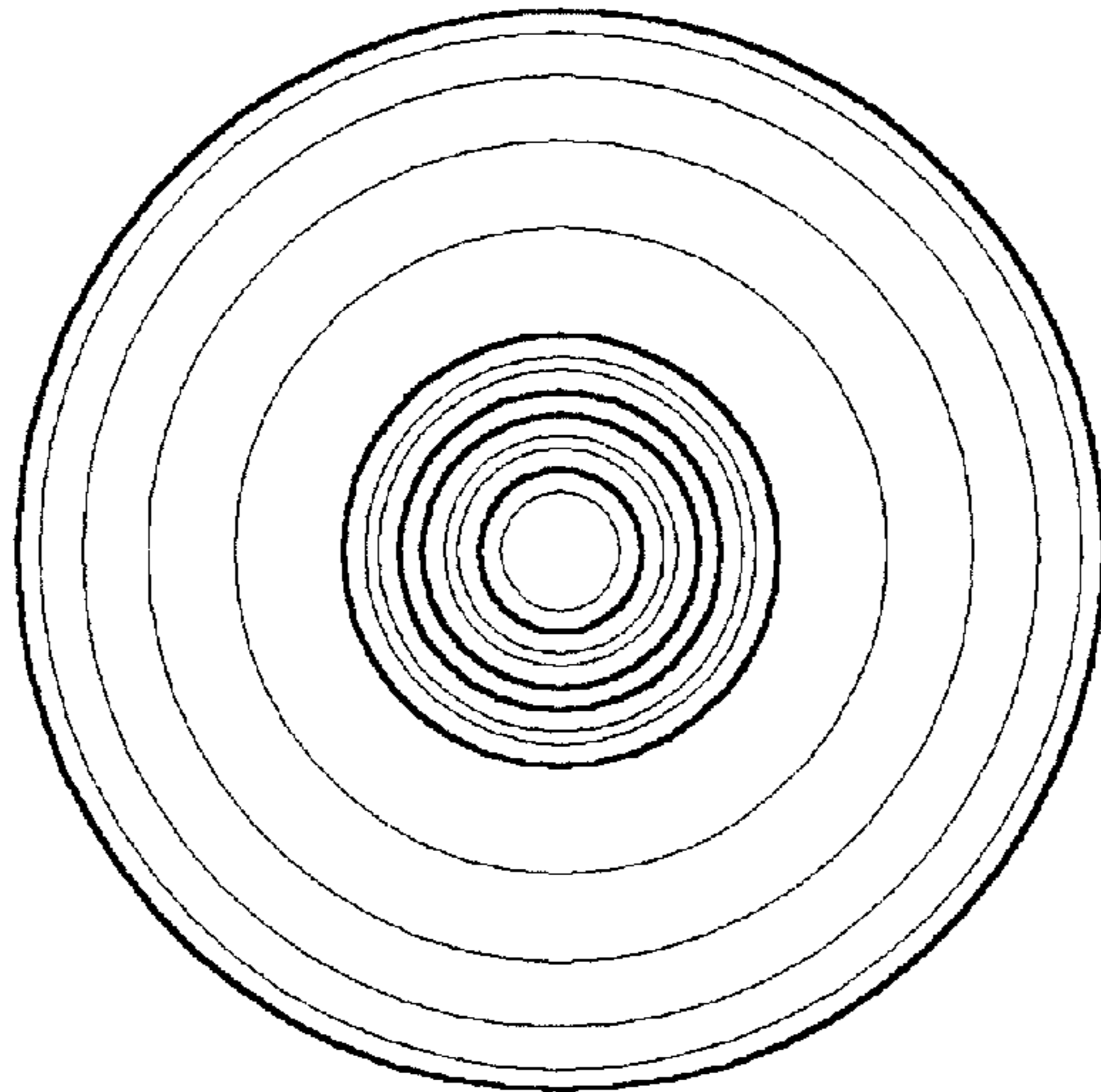


Fig. 6