



US00D410544S

United States Patent [19]

[11] **Patent Number: Des. 410,544**

Metzler et al.

[45] **Date of Patent: ** Jun. 1, 1999**

[54] **OPHTHALMIC SURGICAL APPARATUS FOR PERFORMING BOTH ANTERIOR AND POSTERIOR OPHTHALMIC SURGICAL PROCEDURES ON HUMAN PATIENTS**

[75] Inventors: **Michael Eugene Metzler**, St. Louis; **Charles Leonard Jenkins**, Maryland Heights; **James Taylor Perkins**, St. Charles, all of Mo.; **Robert Podall**, Scottsdale, Ariz.

[73] Assignee: **Storz Instrument Co.**, St. Louis, Mo.

[**] Term: **14 Years**

[21] Appl. No.: **29/061,615**

[22] Filed: **Oct. 28, 1996**

[51] **LOC (6) Cl.** **24-01**

[52] **U.S. Cl.** **D24/172**

[58] **Field of Search** D24/172; 606/4, 606/5, 6, 10, 19

[56] **References Cited**

U.S. PATENT DOCUMENTS

D. 325,086	3/1992	Charles et al.	D24/172
3,828,788	8/1974	Karsnov et al.	606/4
3,913,582	10/1975	Sharon	606/10 X
4,473,074	9/1984	Vassiliadis	606/10 X
5,098,426	3/1992	Sklar et al.	606/5
5,455,766	10/1995	Scheller et al.	606/4
5,549,239	8/1996	Perkins et al.	137/884

Primary Examiner—Stella Reid

Attorney, Agent, or Firm—Grant D. Kang; David A. Warmbold

[57] **CLAIM**

An ornamental design for an ophthalmic surgical apparatus for performing both anterior and posterior ophthalmic surgical procedures on human patients, as shown and described.

DESCRIPTION

FIG. 1 is a perspective view of the an ophthalmic surgical apparatus for performing both anterior and posterior ophthalmic surgical procedures on human patients, of our new

design showing a cart, base unit and computer unit with display;

FIG. 2 is a front elevational view of FIG. 1;

FIG. 3 is a rear elevational view of FIG. 1;

FIG. 4 is a left side elevational view of FIG. 1;

FIG. 5 is a right side elevational view of FIG. 1;

FIG. 6 is a top plan view of FIG. 1;

FIG. 7 is a bottom plan view of FIG. 1;

FIG. 8 is a perspective view of the an ophthalmic surgical apparatus for performing both anterior and posterior ophthalmic surgical procedures on human patients of FIG. 1 with a front panel of the cart removed to show a second base unit;

FIG. 9 is a front elevational view of FIG. 8, the rear elevational view being identical to FIG. 3, the top plan view being identical to FIG. 6 and the bottom plan view being identical to FIG. 7;

FIG. 10 is a left side elevational view of FIG. 8;

FIG. 11 is a right side elevational view of FIG. 8;

FIG. 12 is a perspective view of the cart of the an ophthalmic surgical apparatus for performing both anterior and posterior ophthalmic surgical procedures on human patients shown in FIG. 1;

FIG. 13 is a front elevational view of FIG. 12;

FIG. 14 is a rear elevational view of FIG. 12;

FIG. 15 is a left side elevational view of FIG. 12;

FIG. 16 is a right side elevational view of FIG. 12;

FIG. 17 is a top plan view of FIG. 12;

FIG. 18 is a bottom plan view of FIG. 12;

FIG. 19 is a perspective view of the cart shown in FIG. 12 with the front panel removed;

FIG. 20 is a front elevational view of FIG. 19, the rear elevational view being identical to FIG. 14, the top plan view being identical to FIG. 17 and the bottom plan view being identical to FIG. 18;

FIG. 21 is a left side elevational view of FIG. 19;

FIG. 22 is a right side elevational view of FIG. 19;

FIG. 23 is a front elevational view of the base unit and computer unit with display of the an ophthalmic surgical apparatus for performing both anterior and posterior ophthalmic surgical procedures on human patients shown in FIG. 1;

FIG. 24 is a rear elevational view of FIG. 23;

FIG. 25 is a right side elevational view of FIG. 23, the left side elevational view being a mirror image of the right side;

FIG. 26 is a top plan view of FIG. 23;

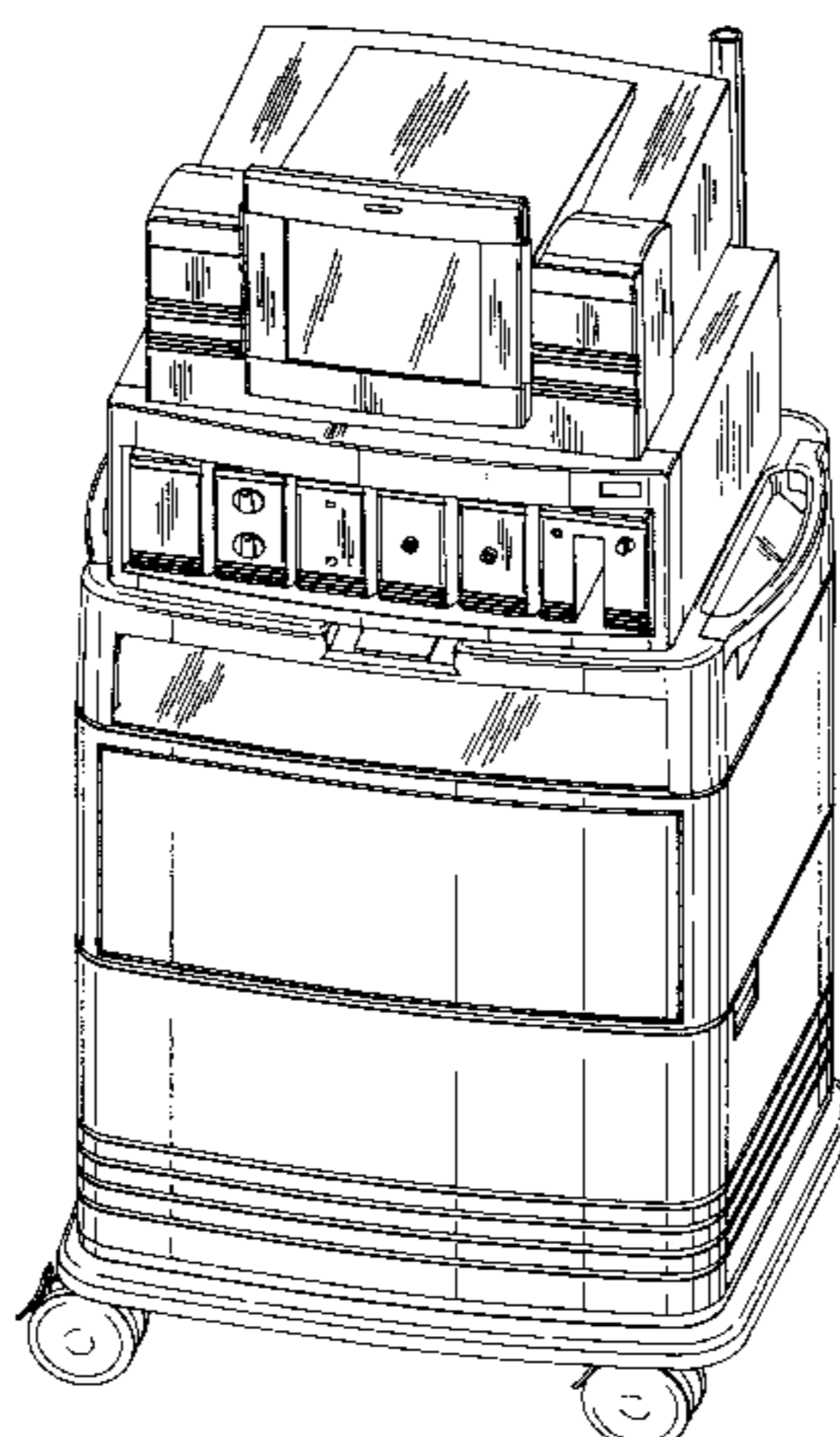


FIG. 27 is a bottom plan view of FIG. 23;

FIG. 28 is a front elevational view of the base unit of the an ophthalmic surgical apparatus for performing both anterior and posterior ophthalmic surgical procedures on human patients shown in FIG. 1;

FIG. 29 is a rear elevational view of FIG. 28;

FIG. 30 is a right side elevational view of FIG. 28, the left side elevational view being a mirror image of the right side;

FIG. 31 is a top plan view of FIG. 28;

FIG. 32 is a bottom plan view of FIG. 28;

FIG. 33 is a front elevational view of the computer unit with display of the an ophthalmic surgical apparatus for performing both anterior and posterior ophthalmic surgical procedures on human patients shown in FIG. 1;

FIG. 34 is a rear elevational view of FIG. 33;

FIG. 35 is a right side elevational view of FIG. 33, the left side elevational view being a mirror image of the right side;

FIG. 36 is a top plan view of FIG. 33; and,

FIG. 37 is a bottom plan view of FIG. 33.

1 Claim, 23 Drawing Sheets

FIG. 1

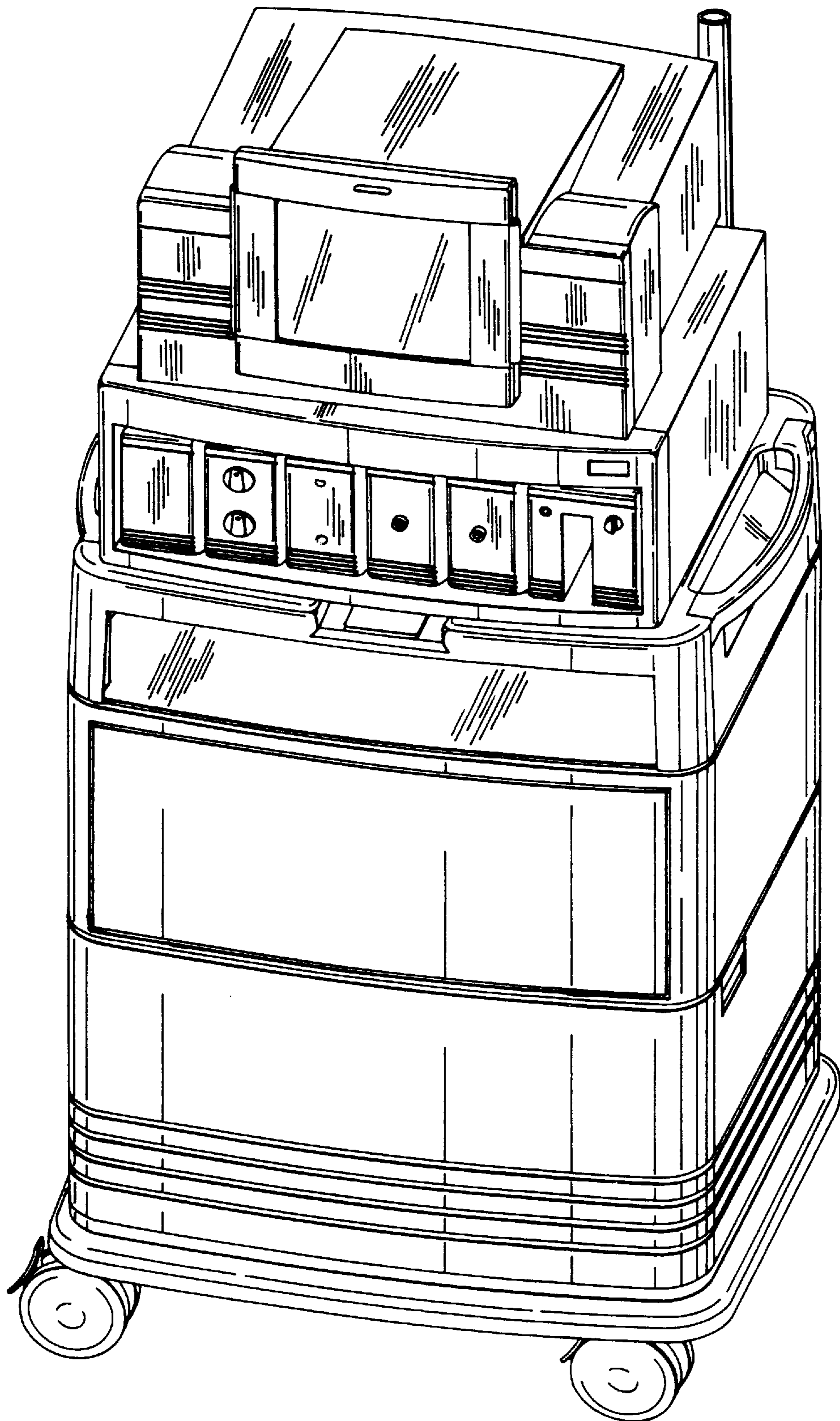


FIG. 2

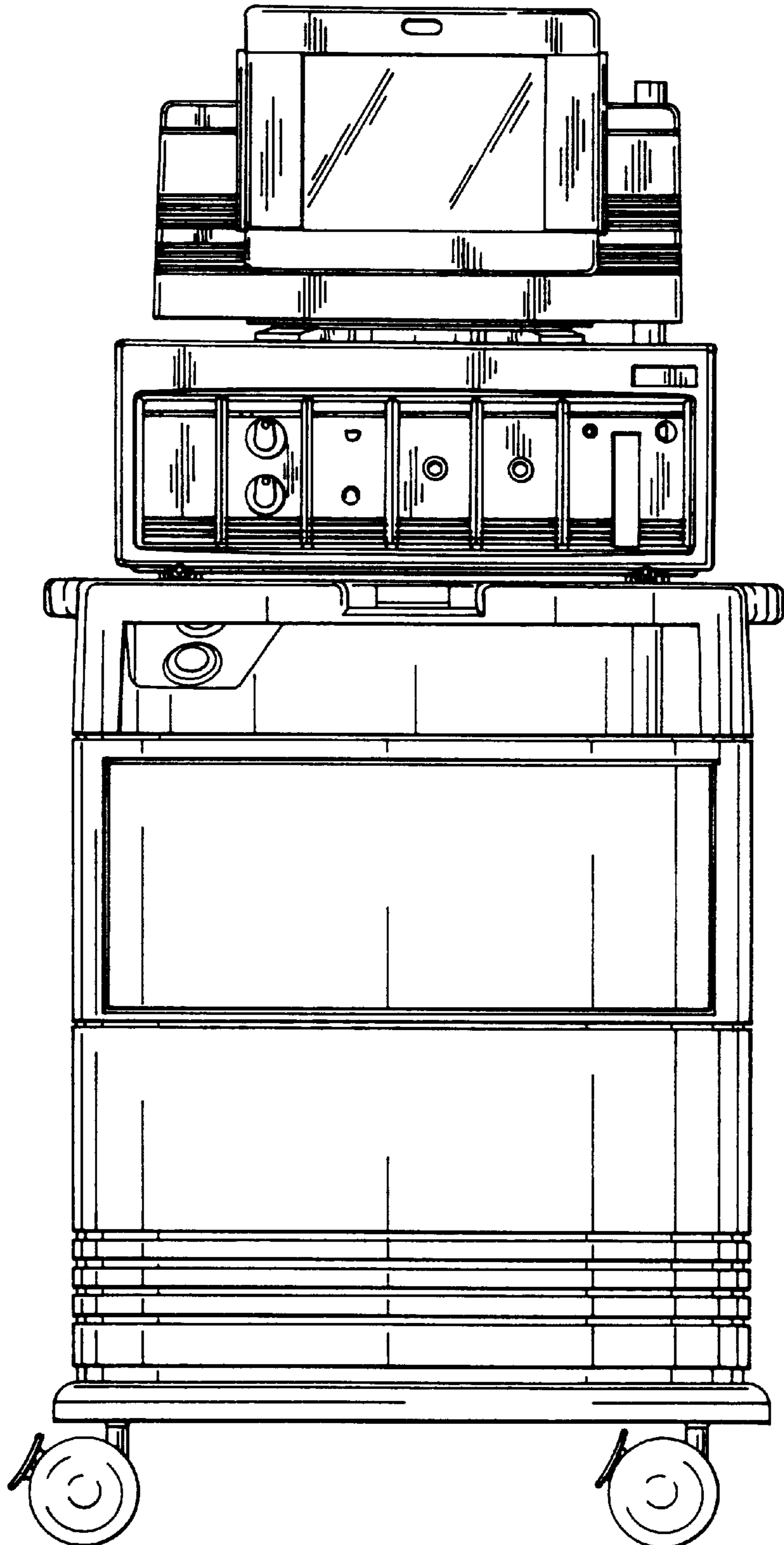


FIG. 3

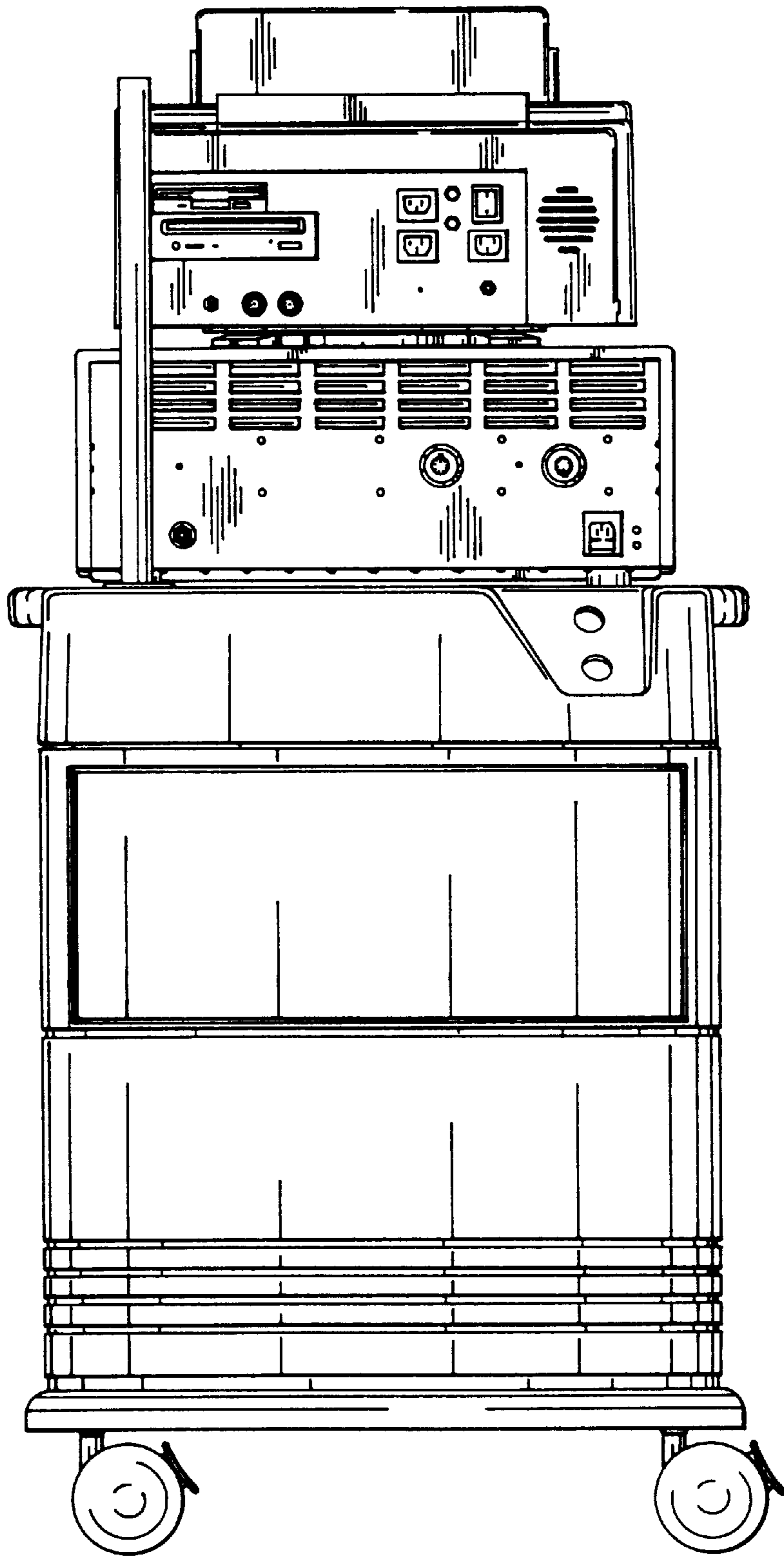


FIG. 4

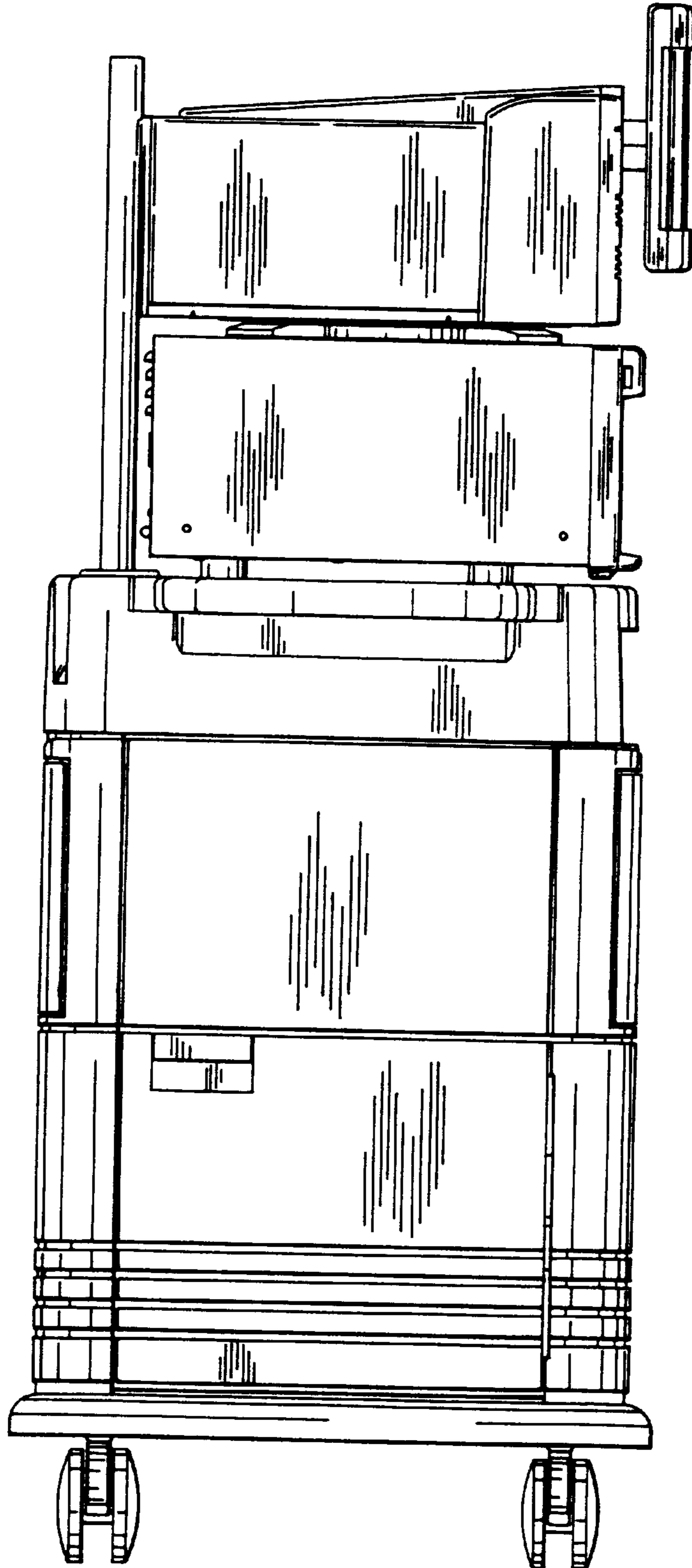


FIG. 5

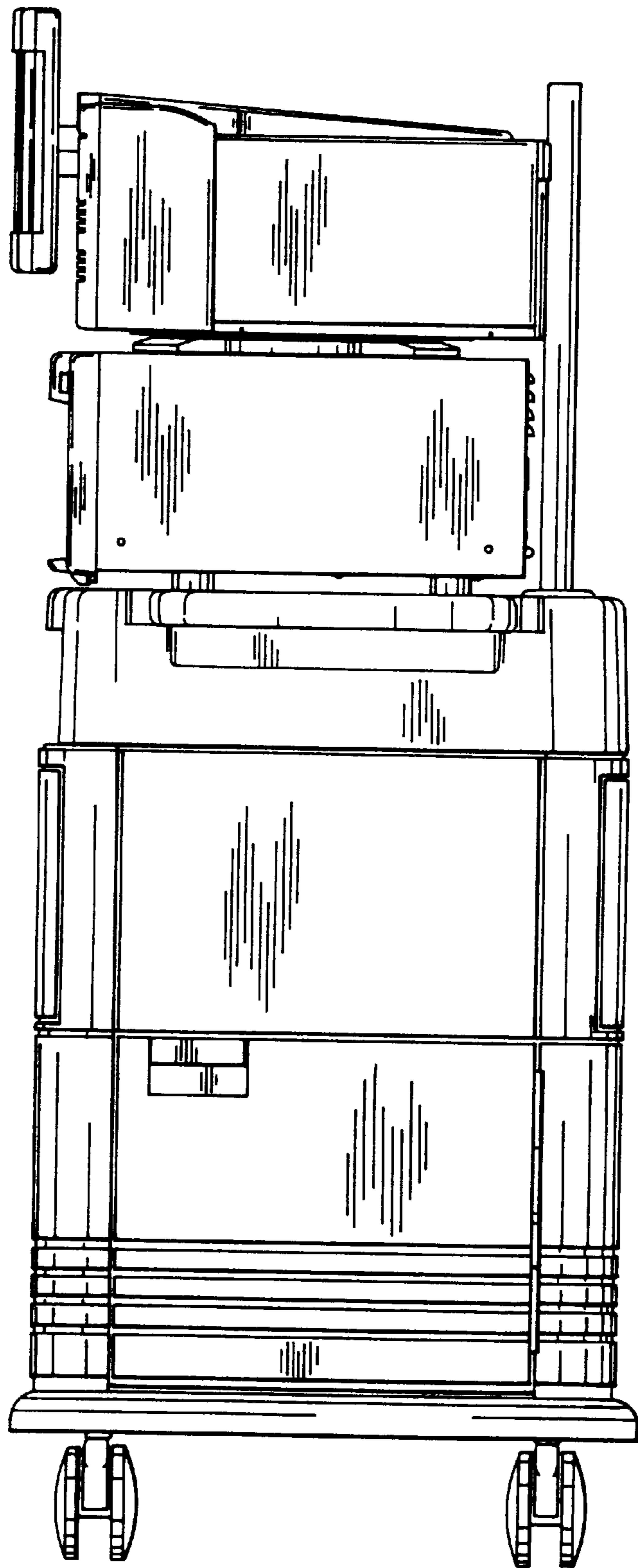


FIG. 6

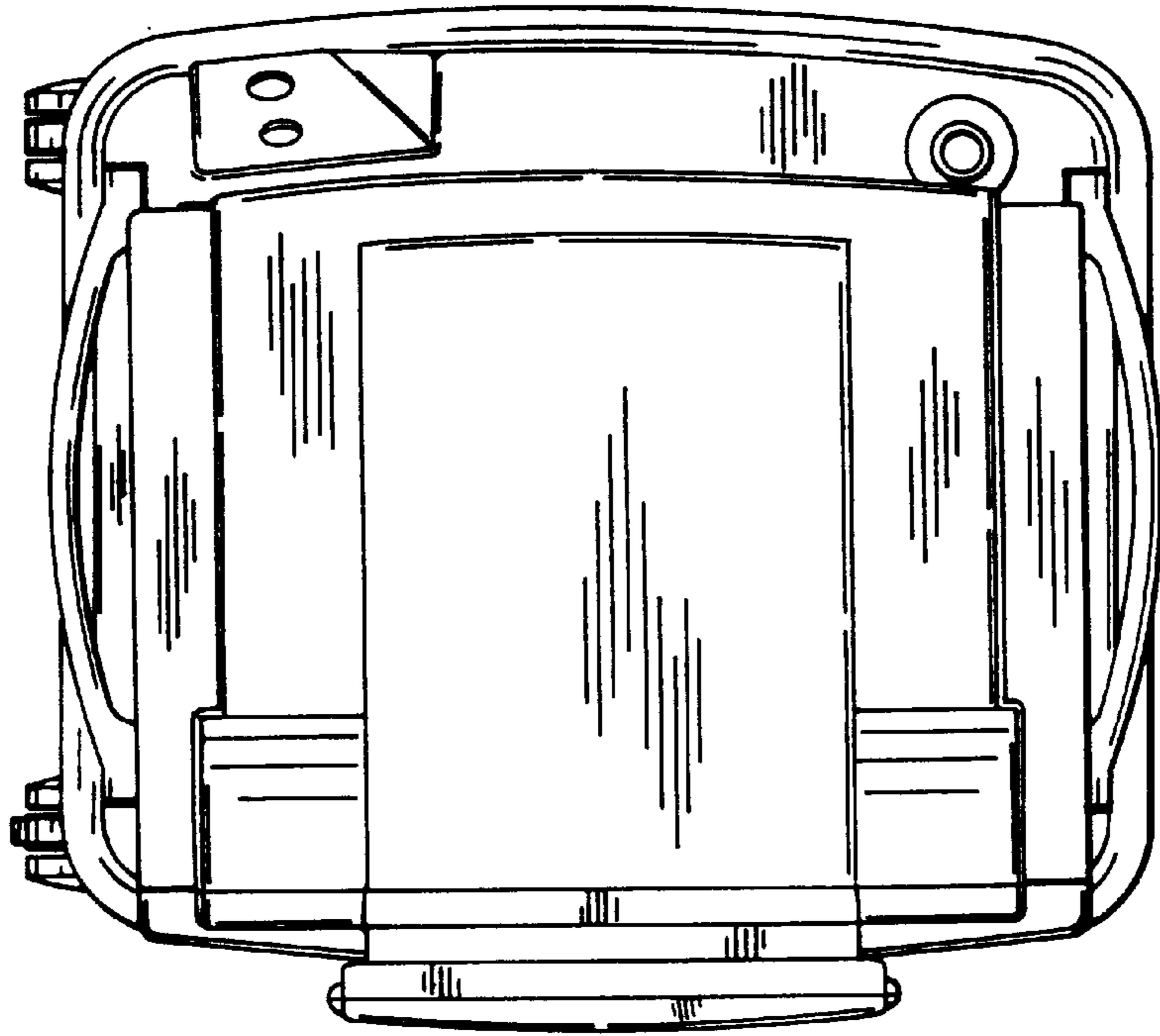


FIG. 7

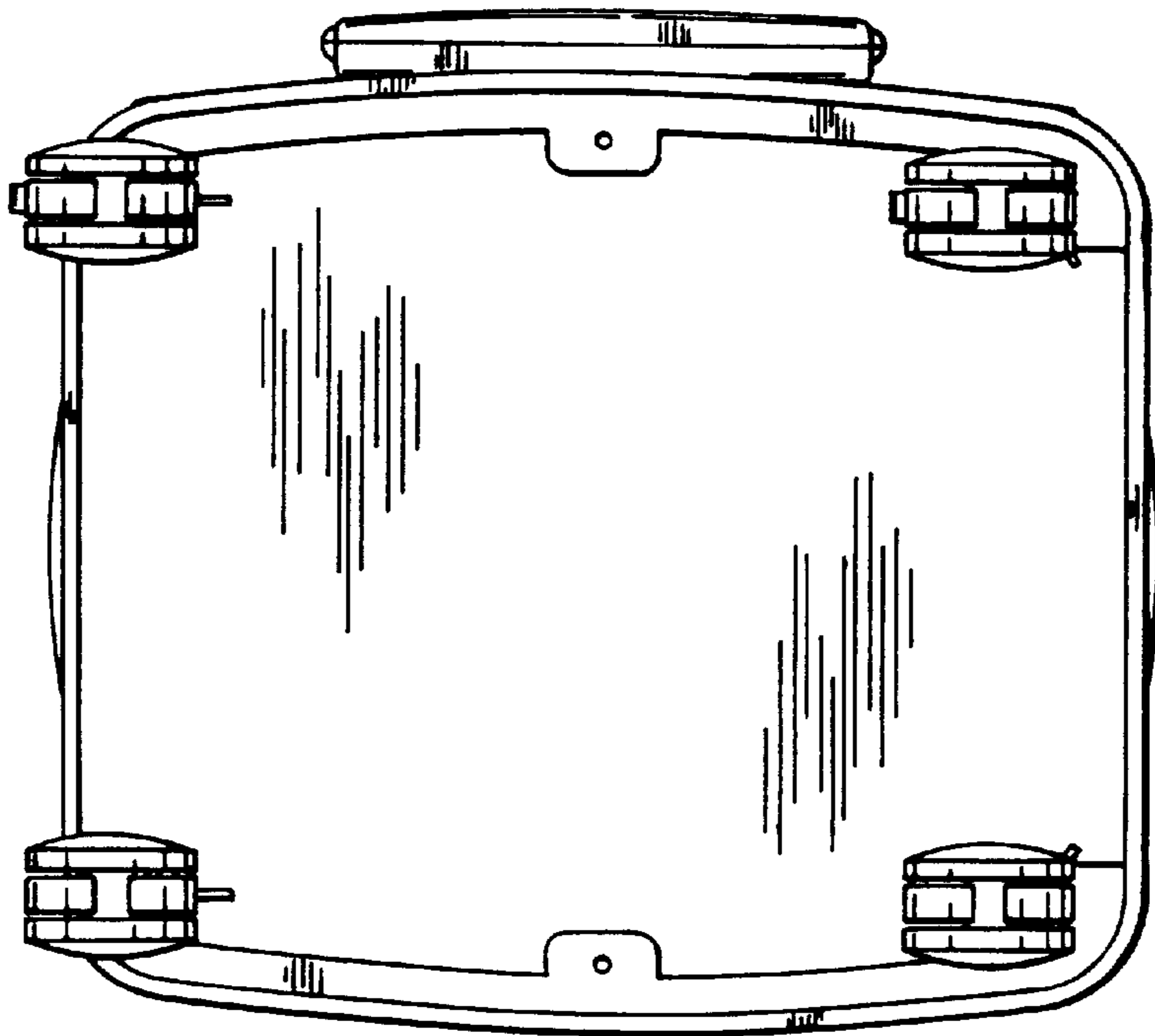


FIG. 8

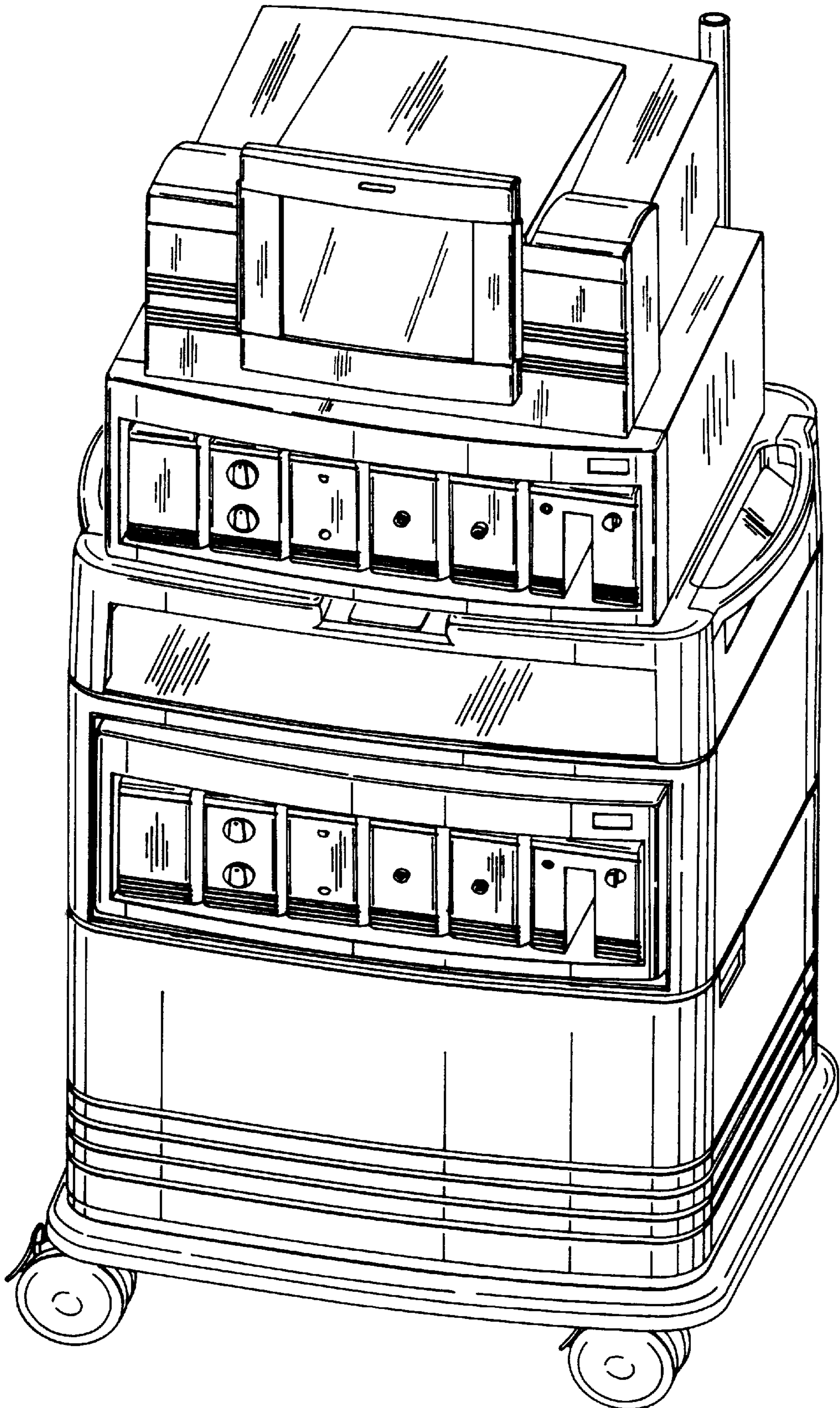


FIG. 9

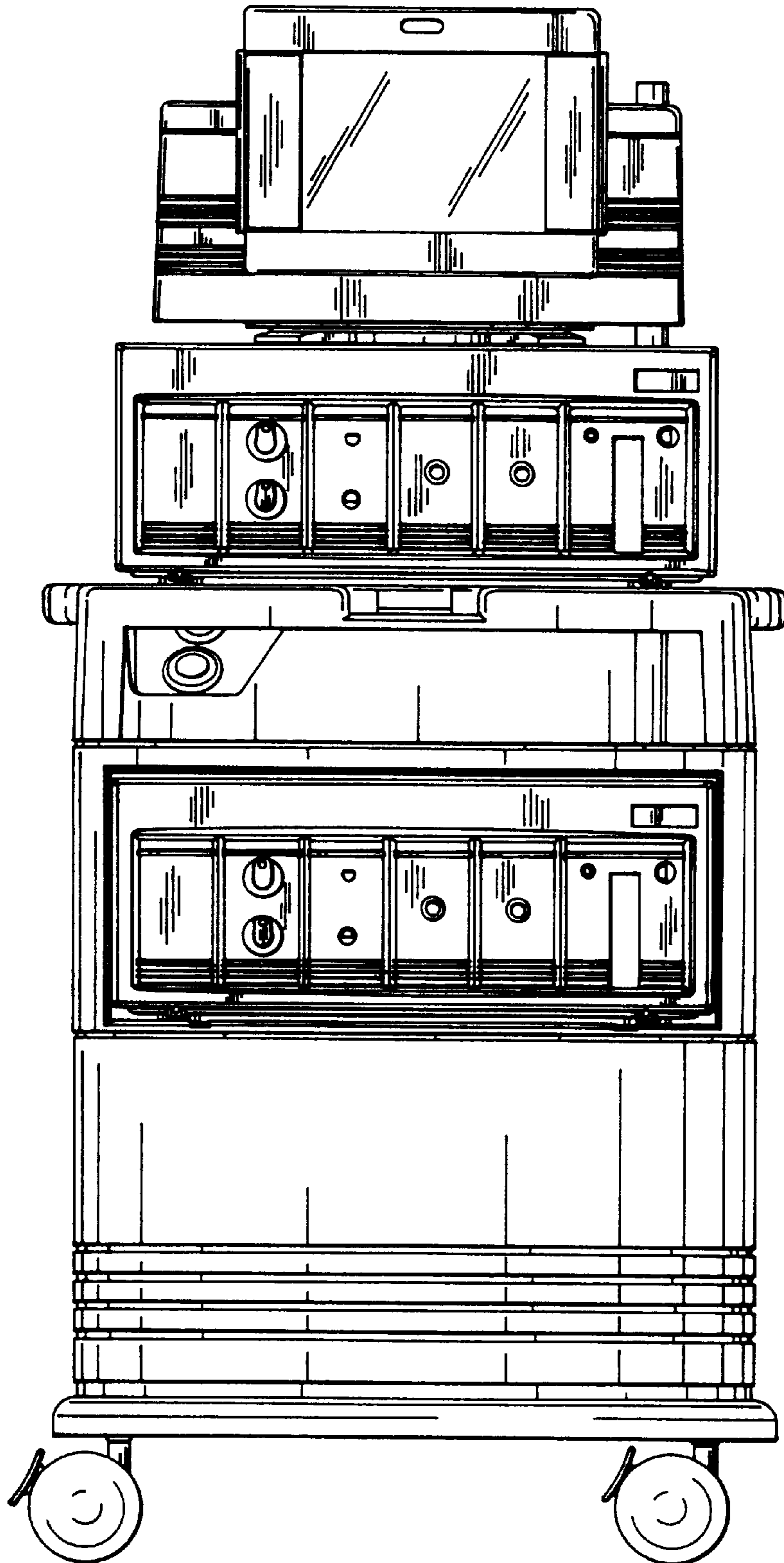


FIG. 10

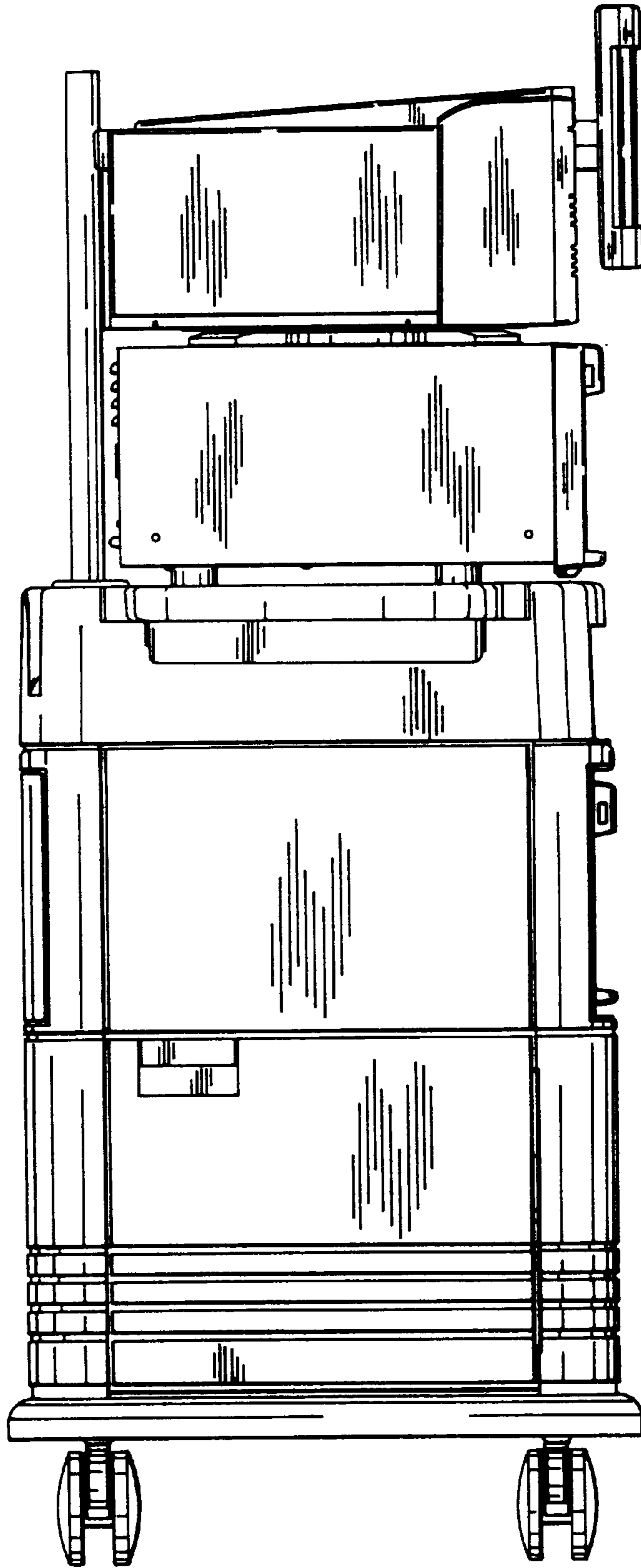


FIG. 11

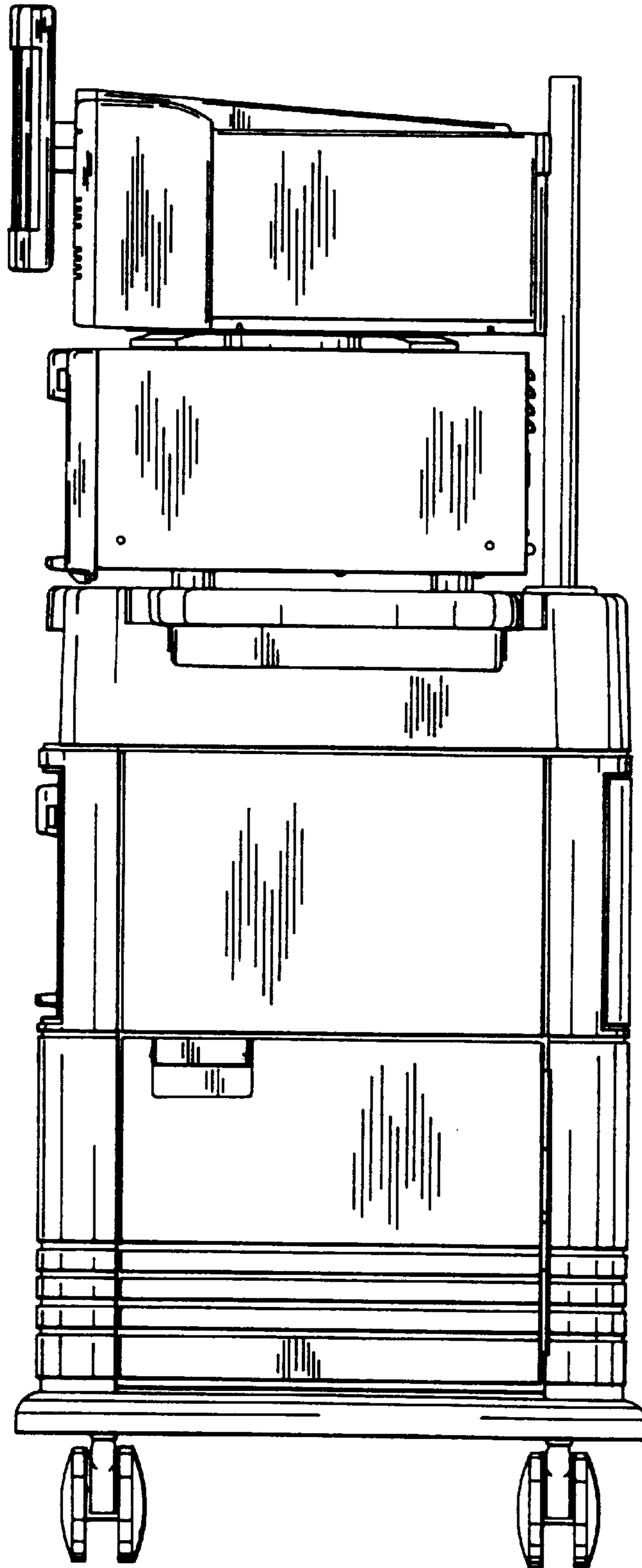
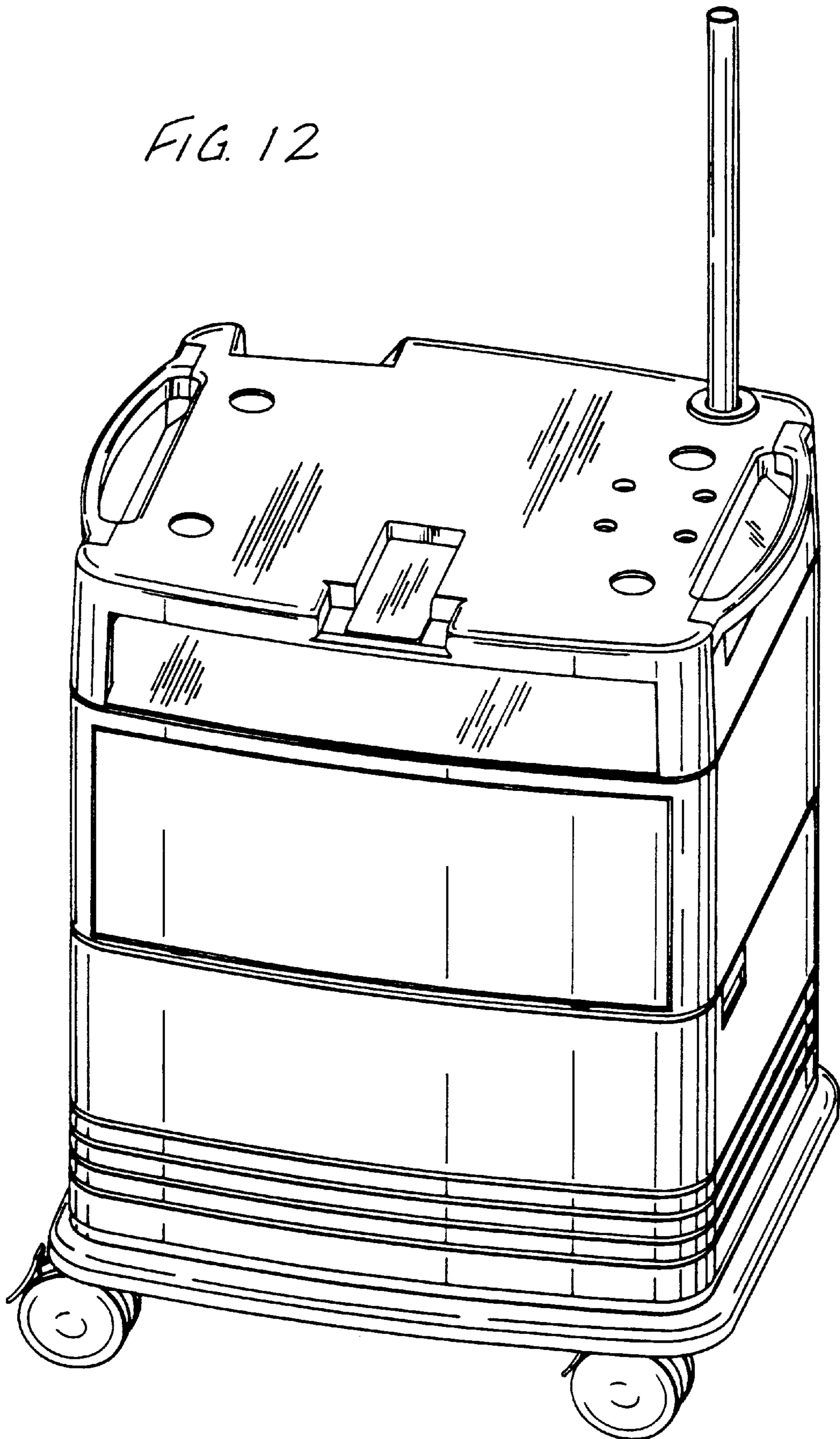


FIG. 12



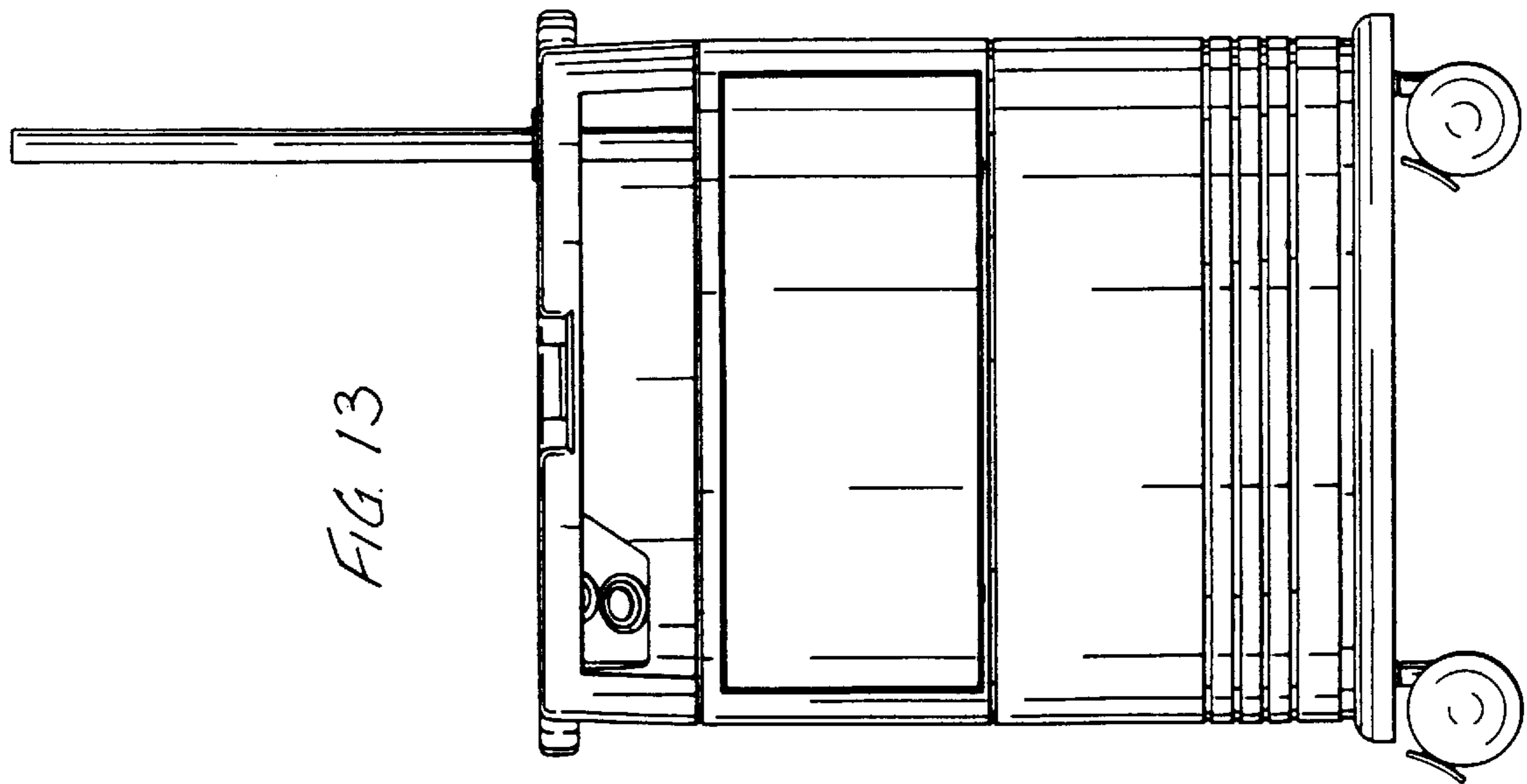
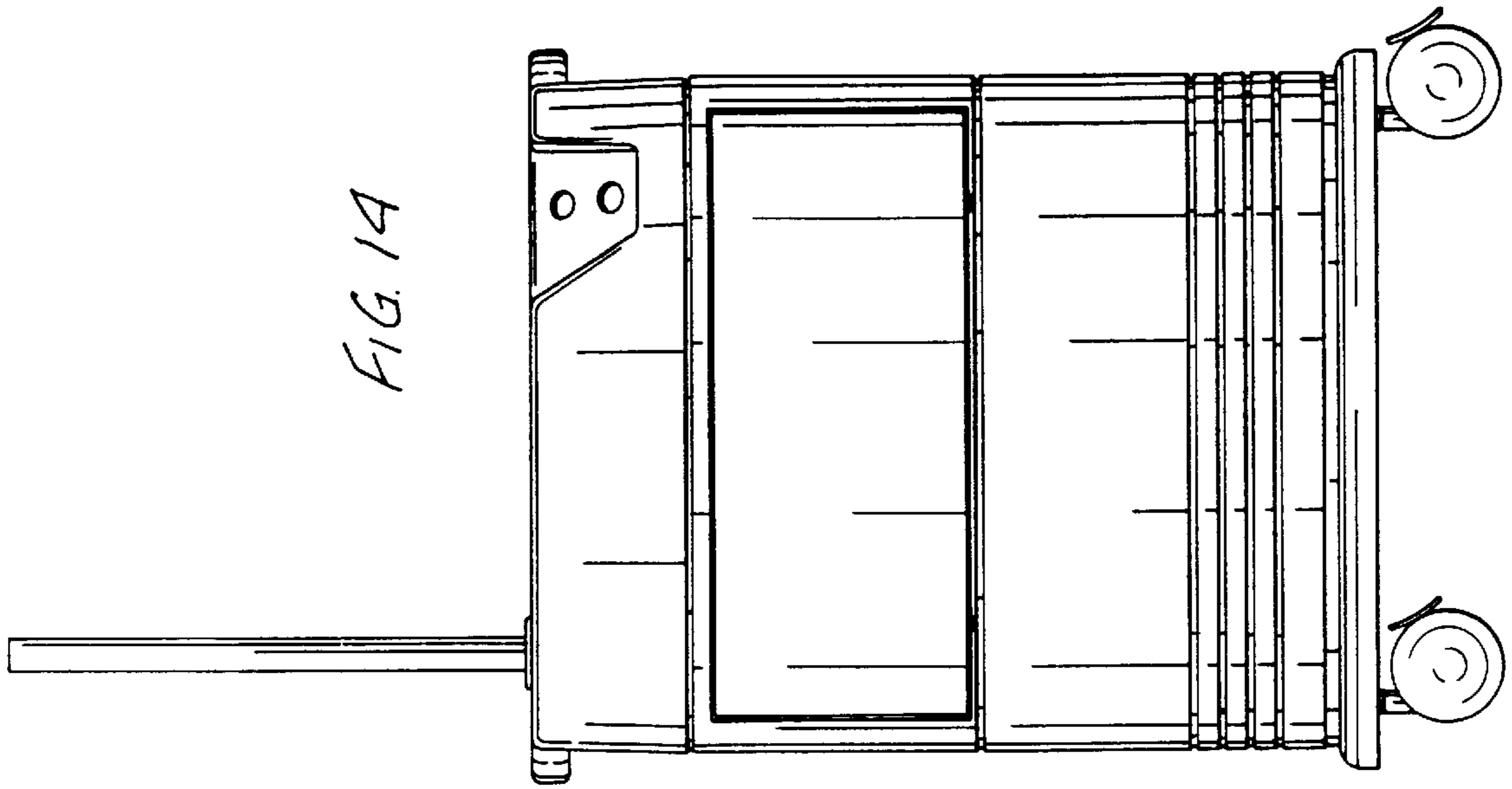


FIG. 16

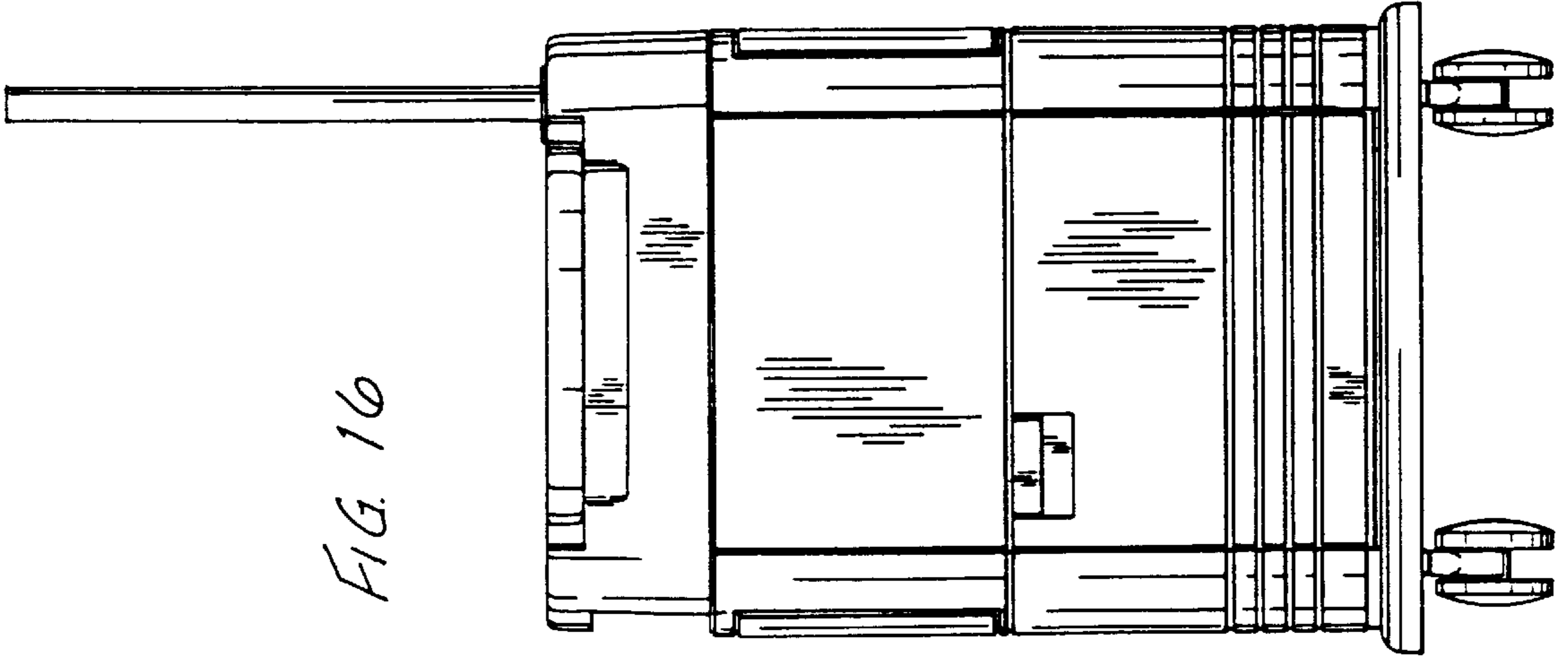


FIG. 15

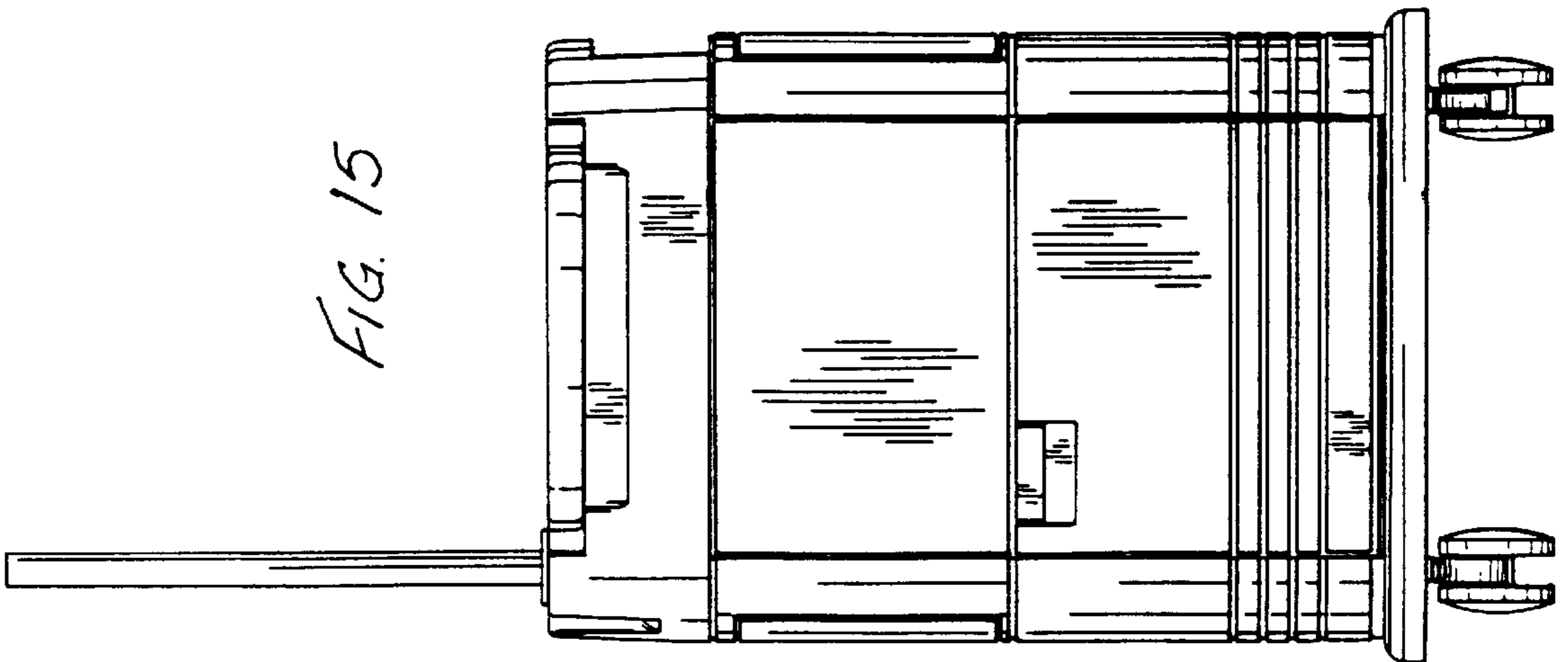


FIG. 17

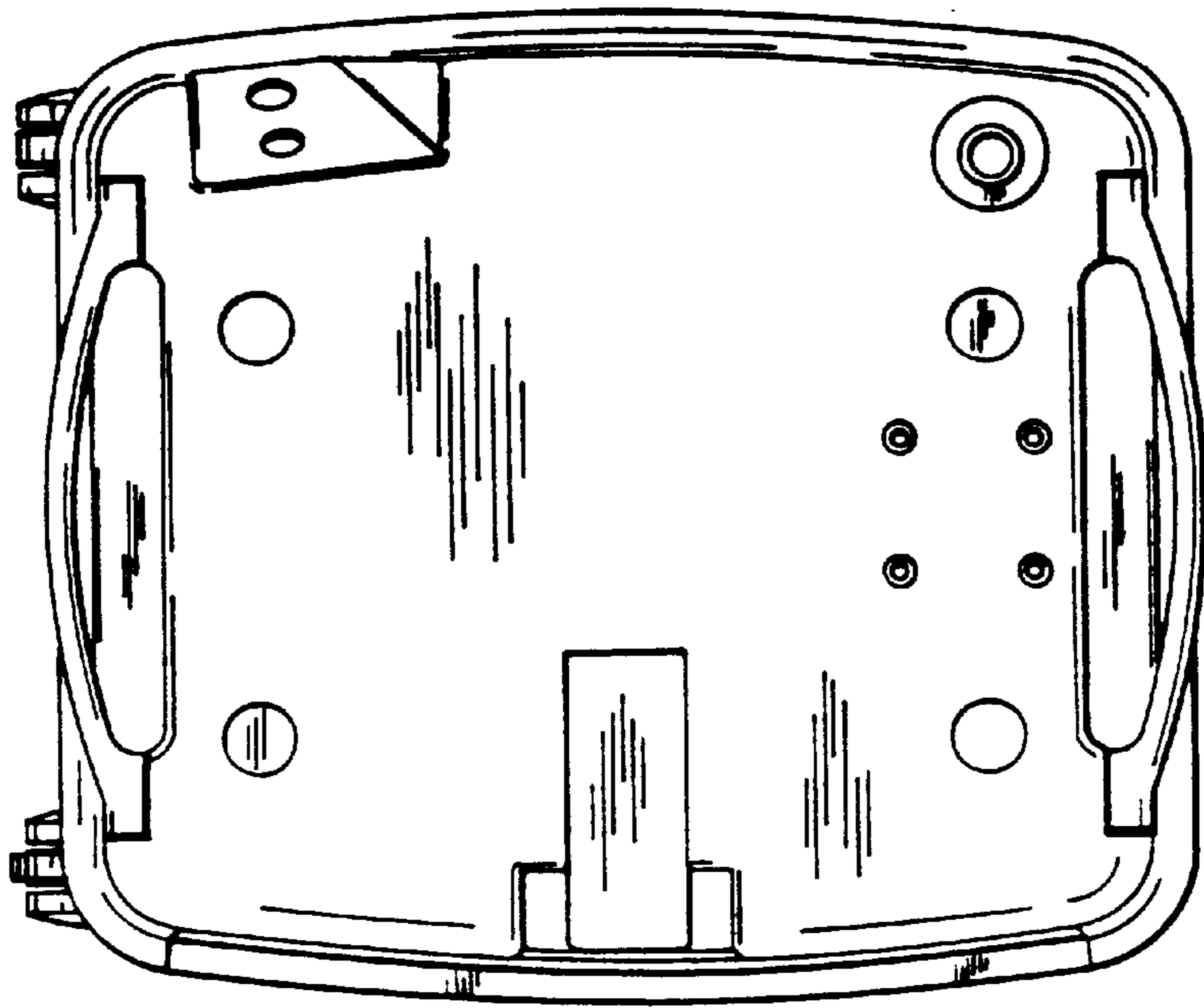


FIG. 18

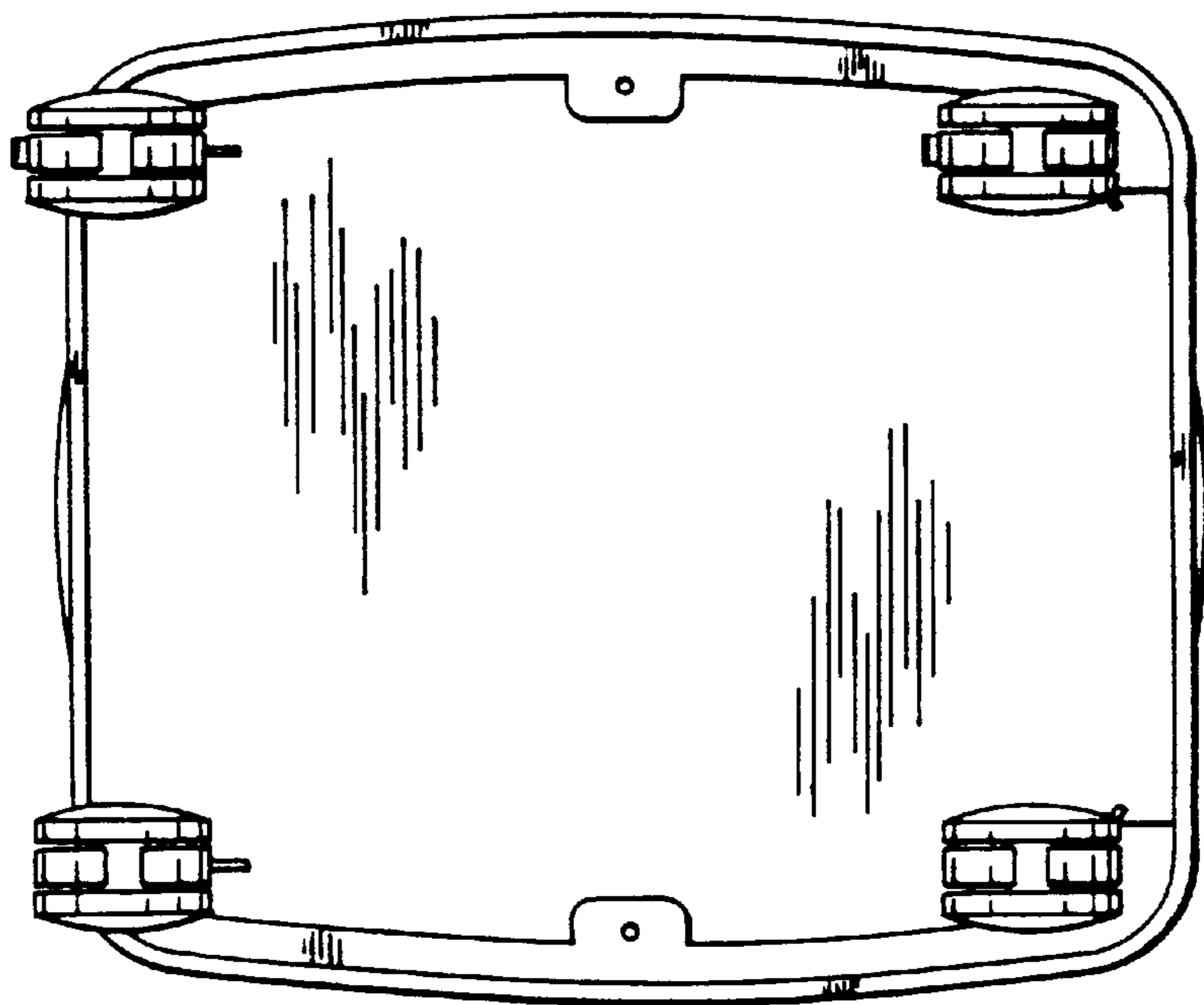
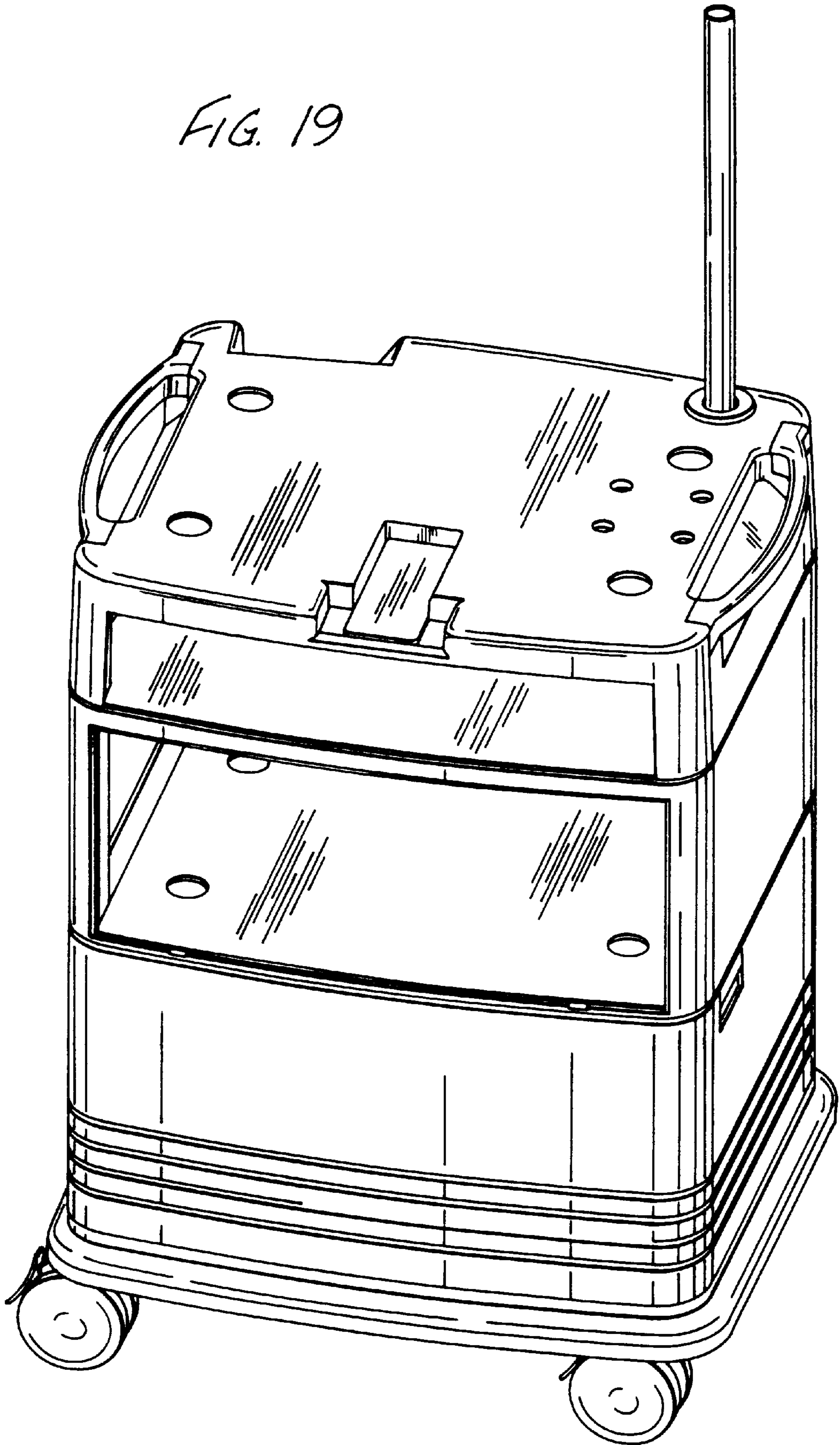


FIG. 19



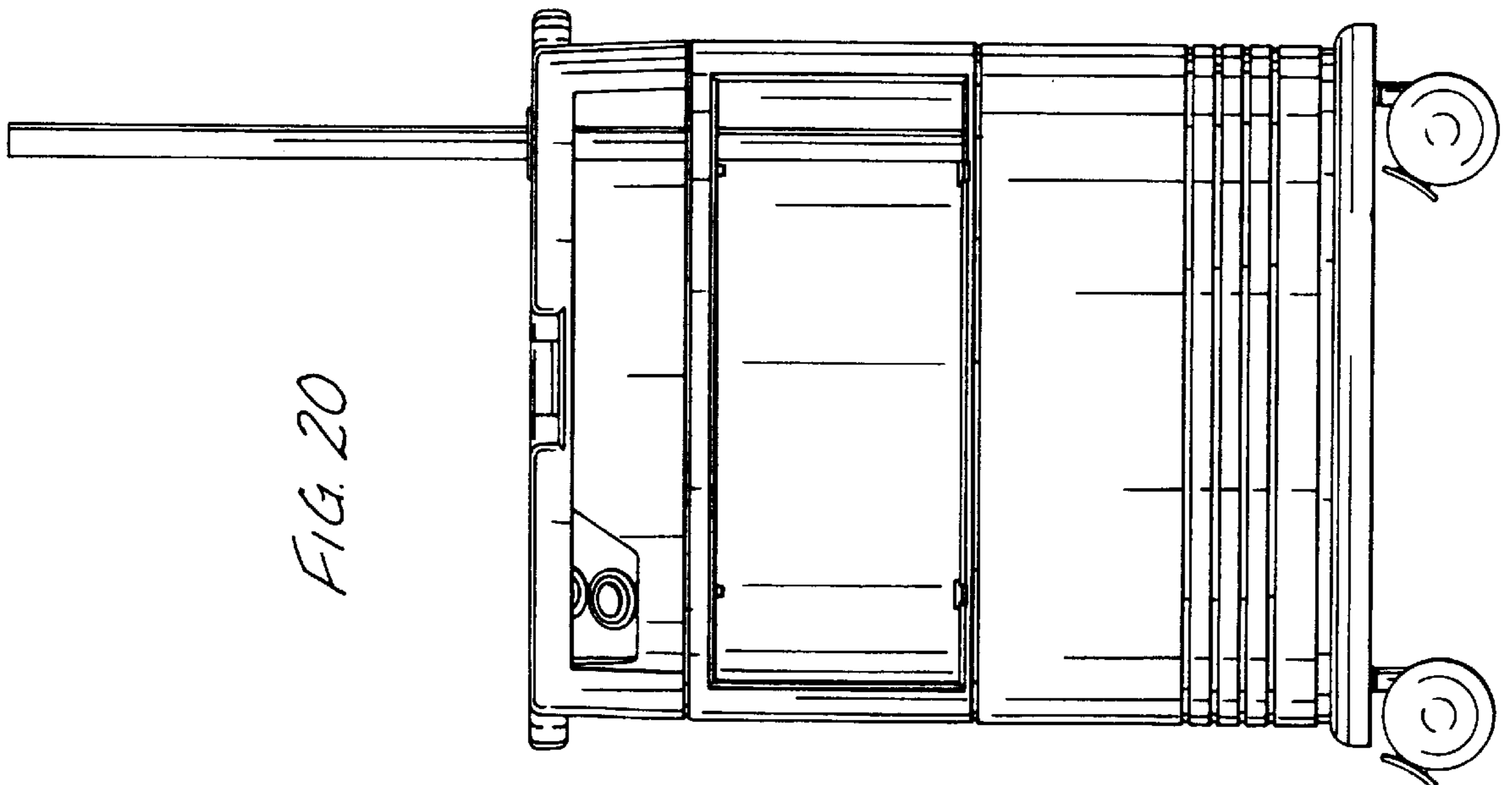
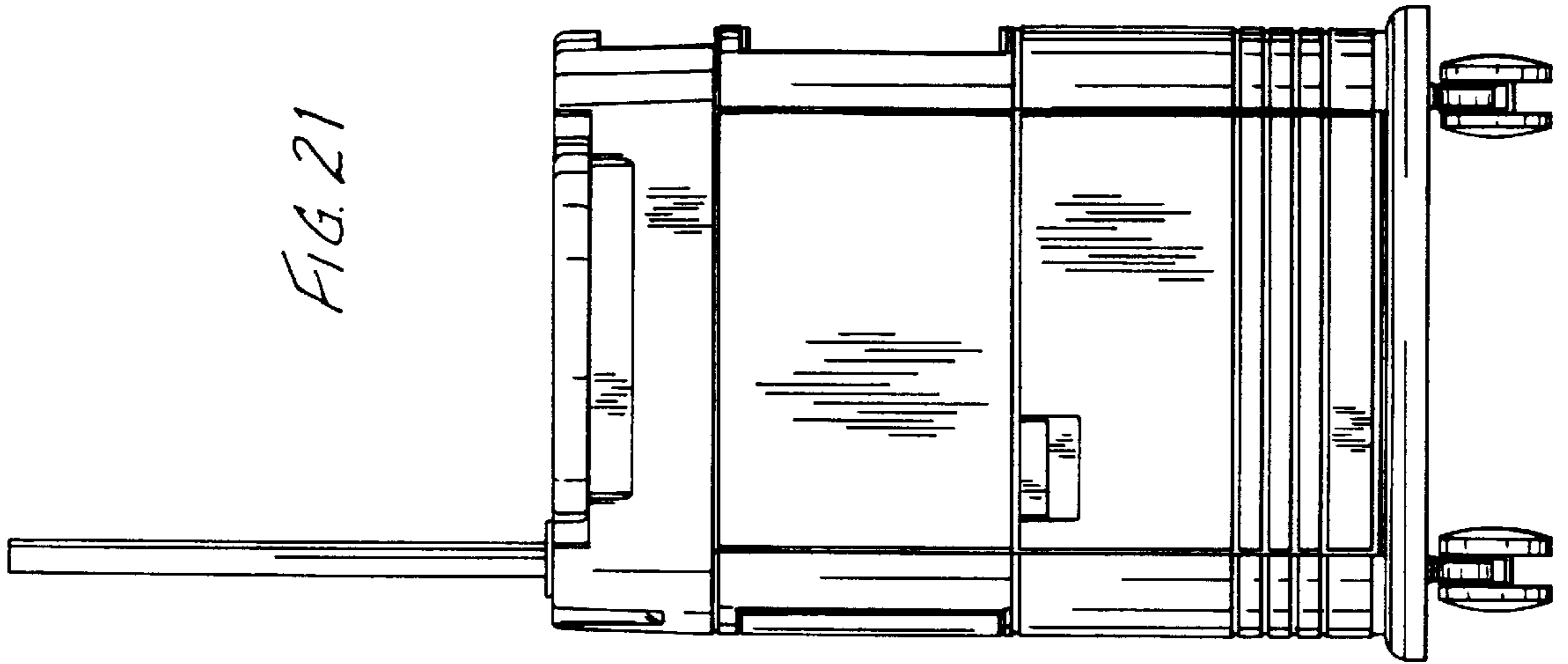


FIG. 23

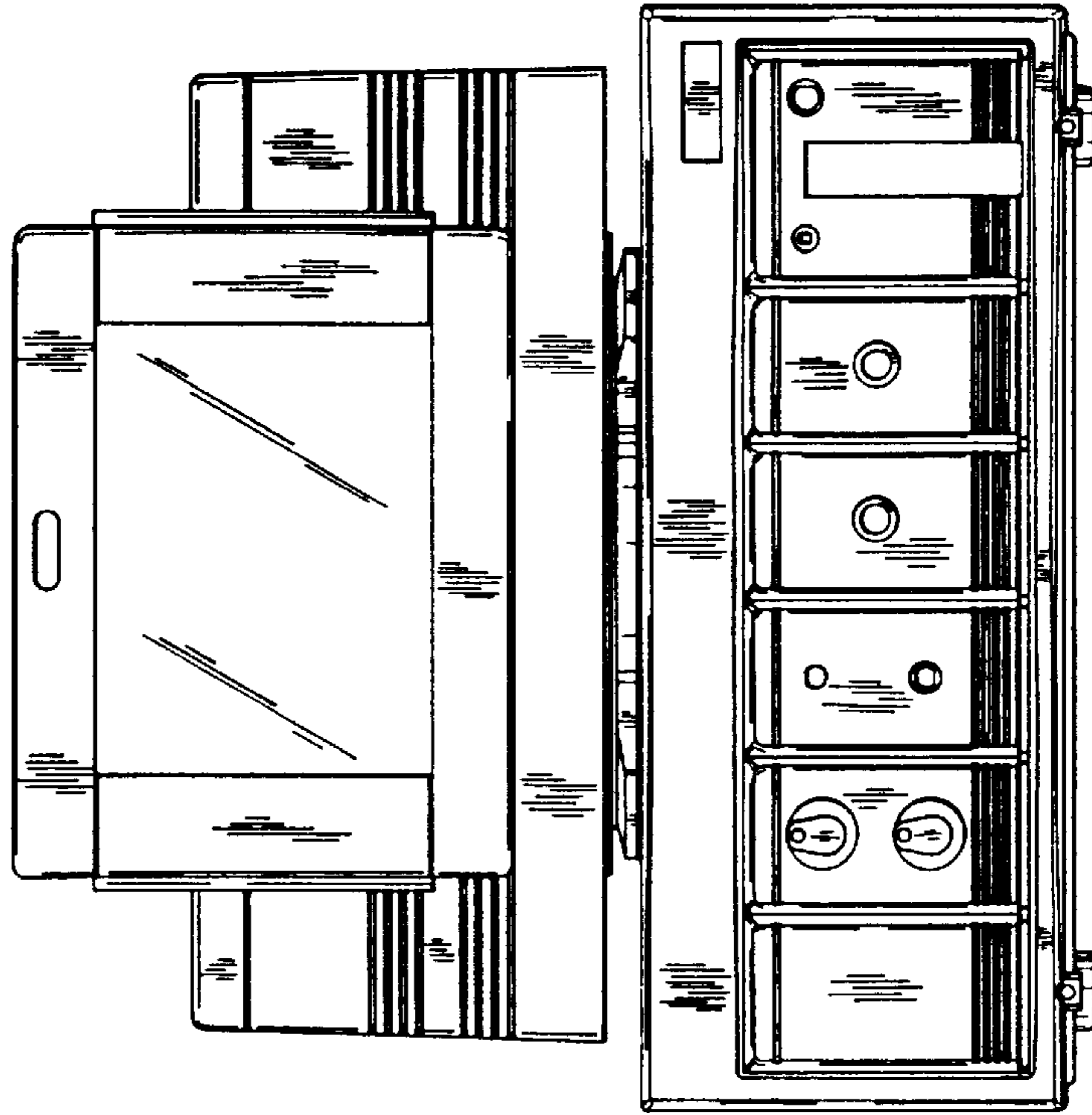


FIG. 22

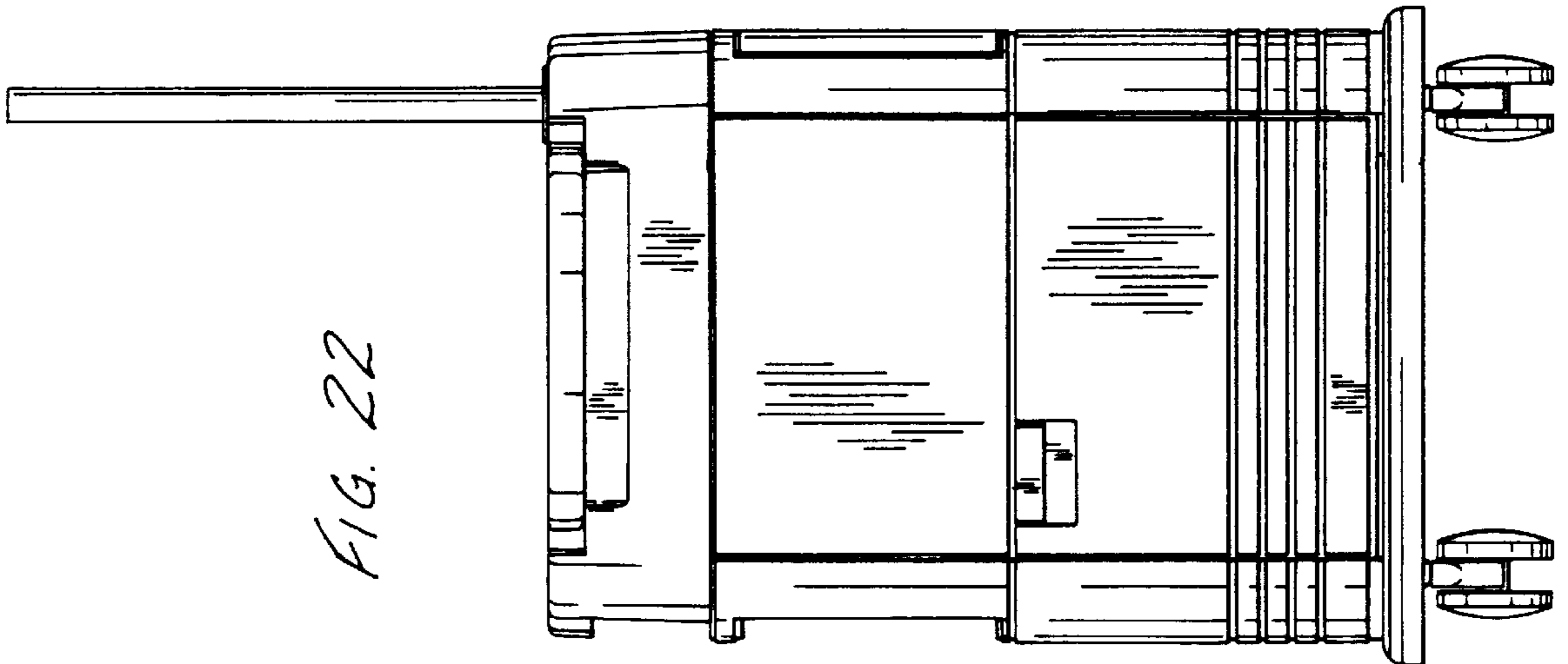


FIG. 24

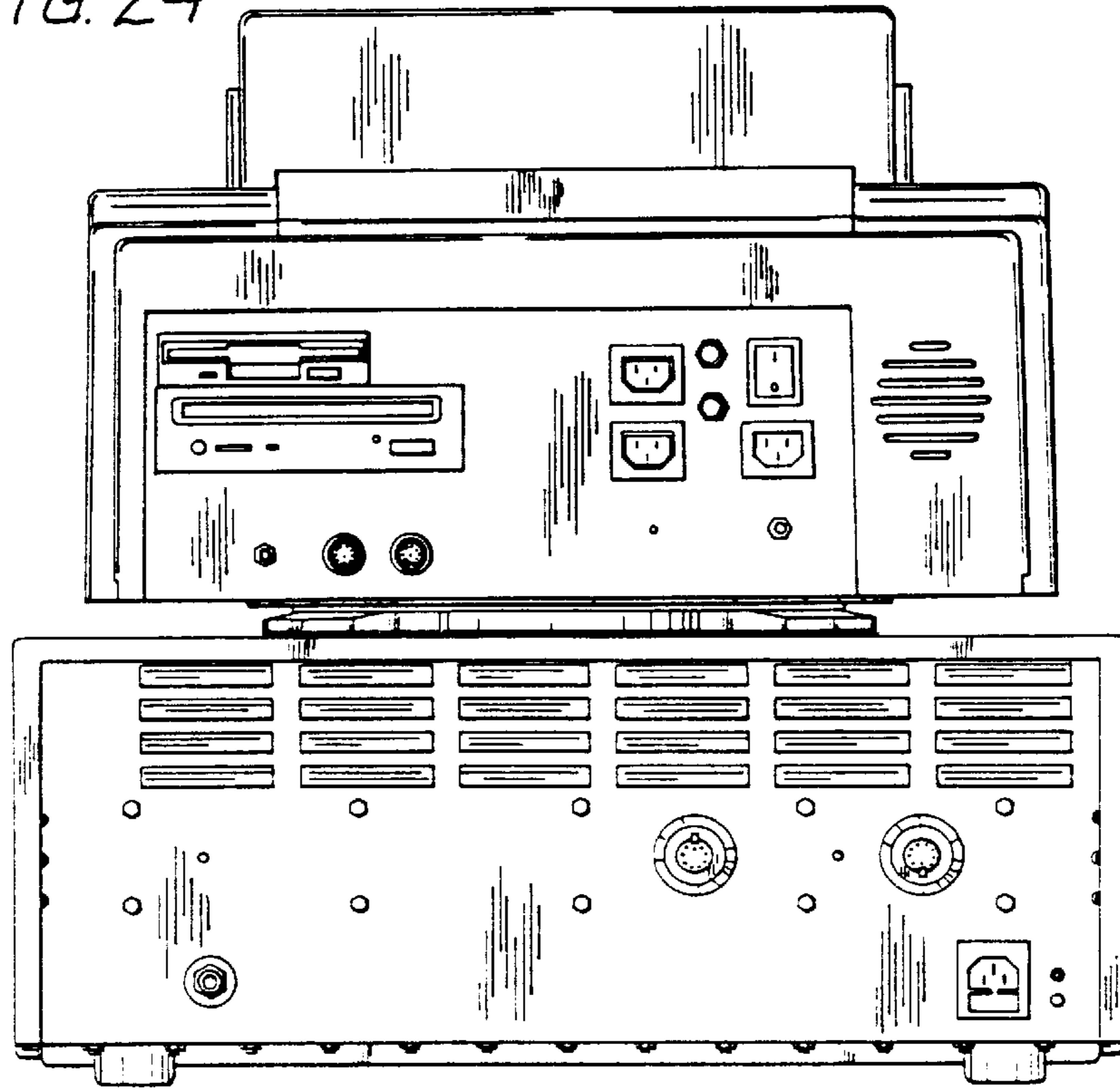


FIG. 25

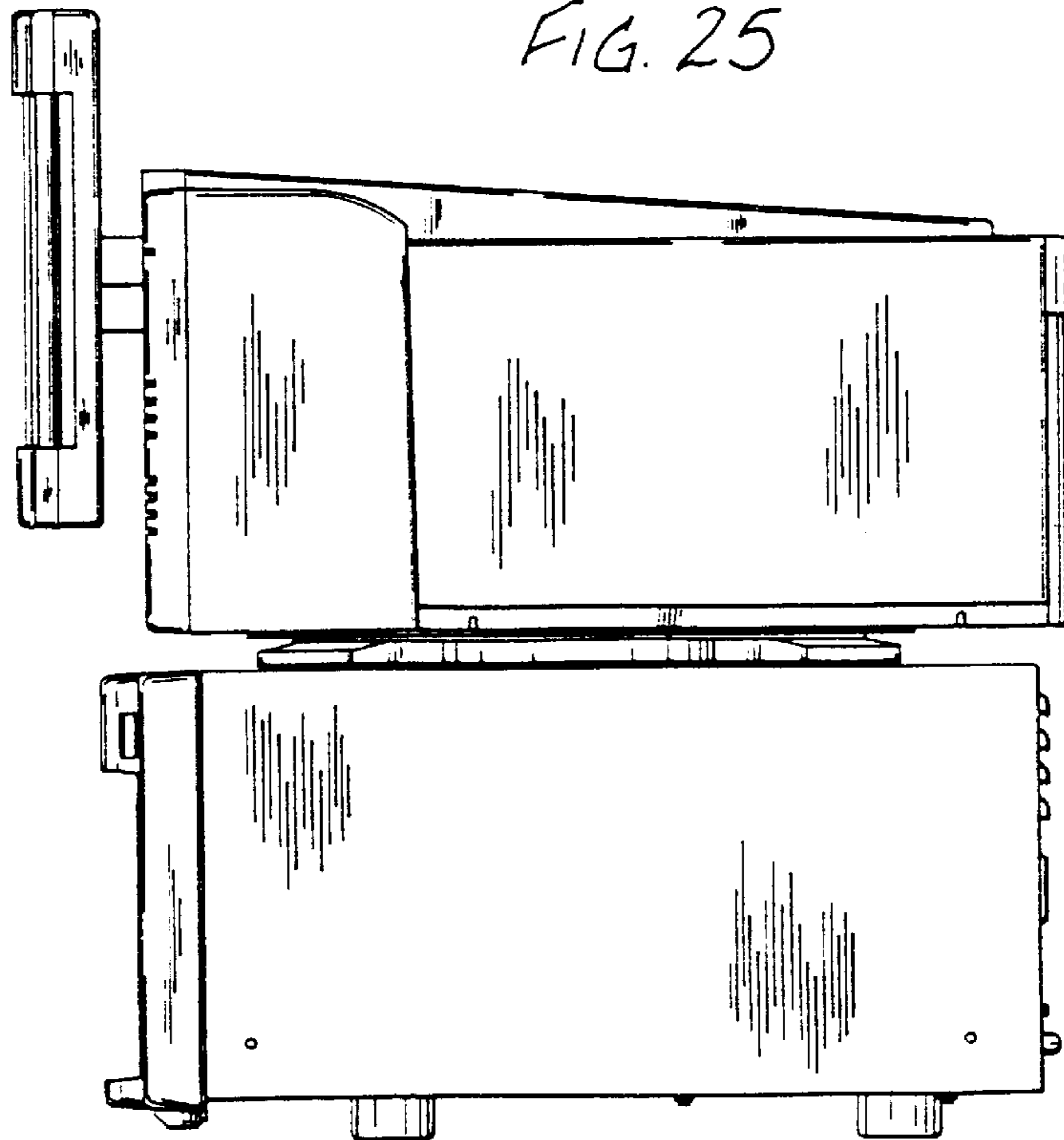


FIG. 26

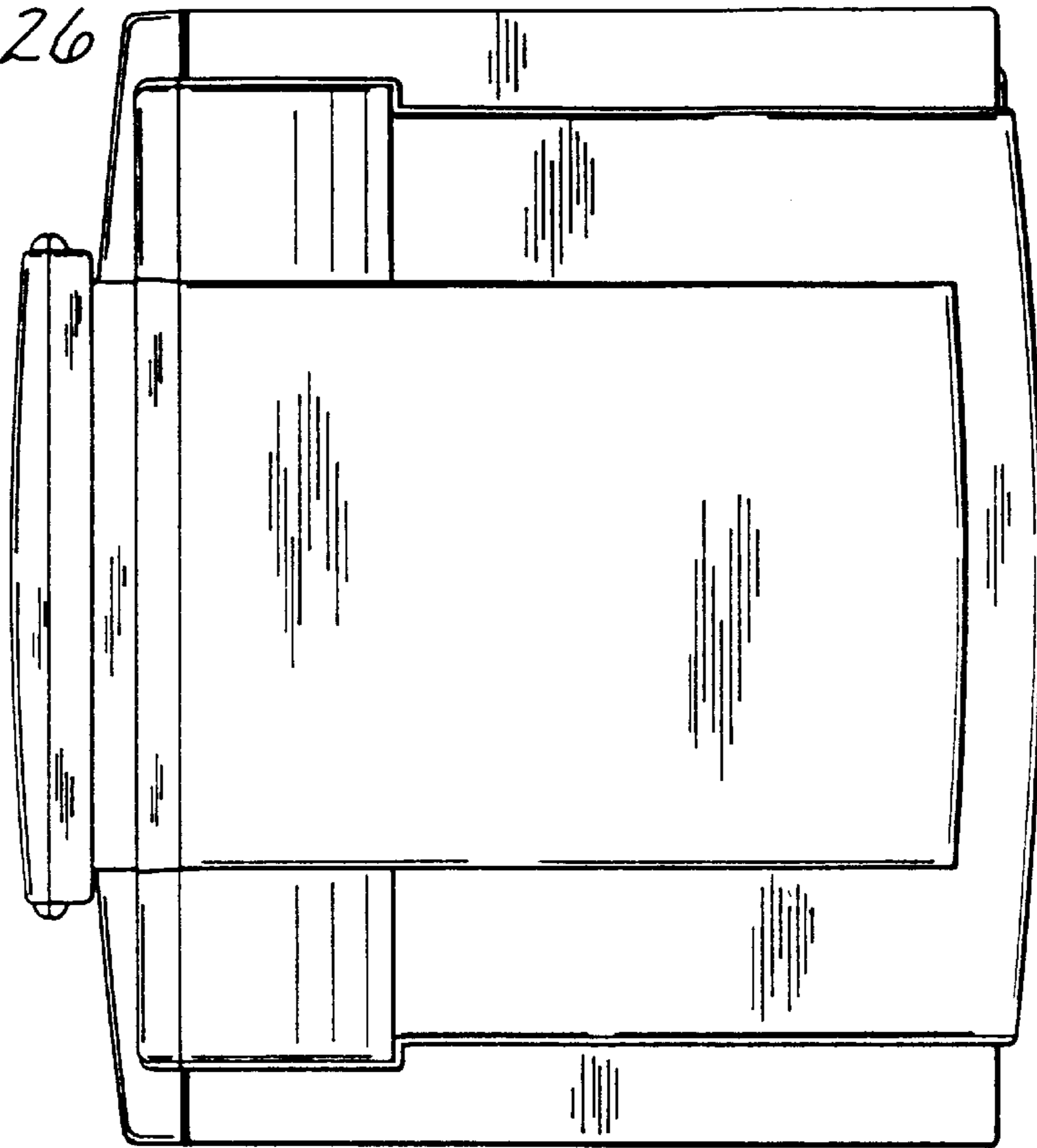


FIG. 27

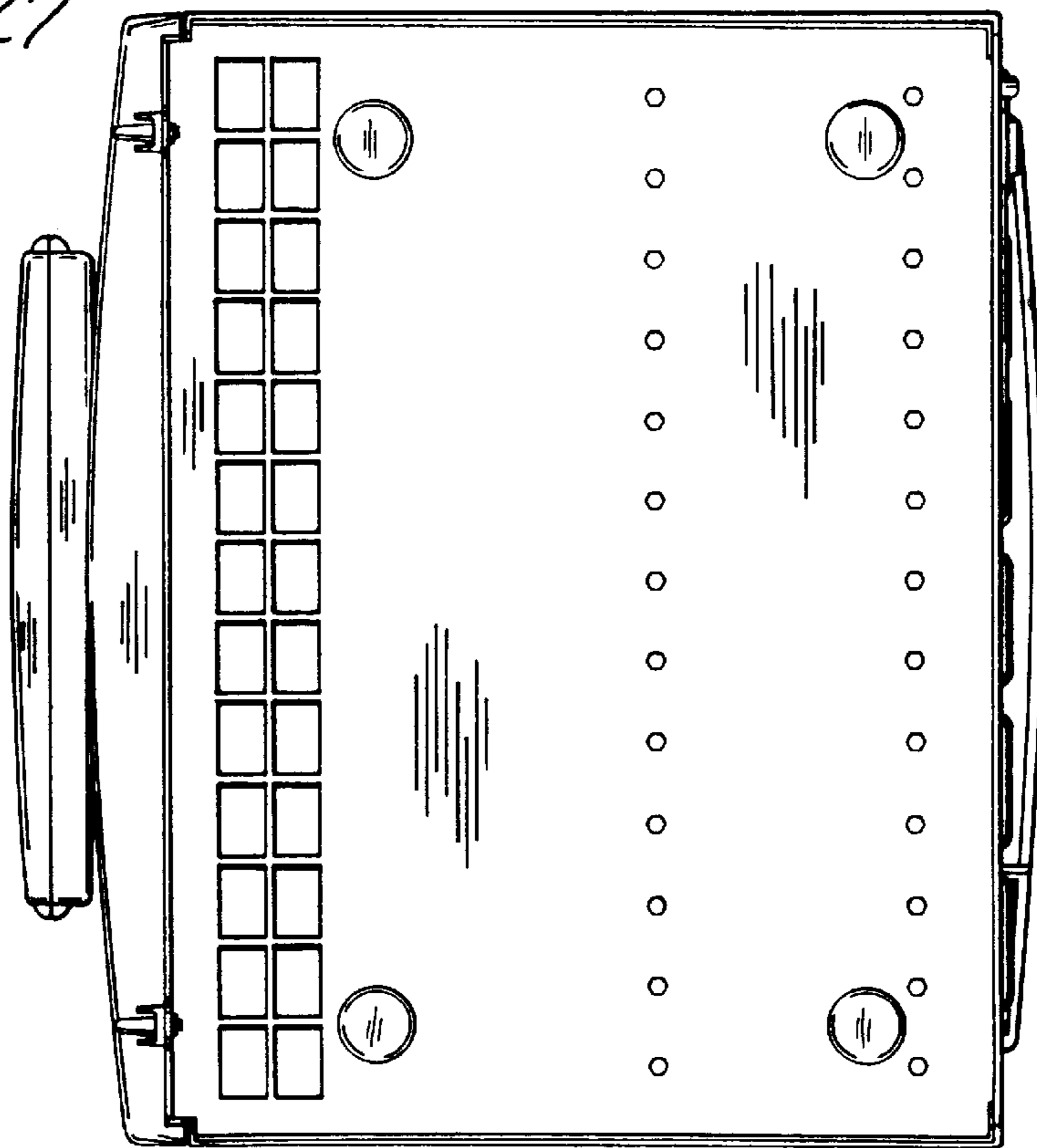


FIG. 28

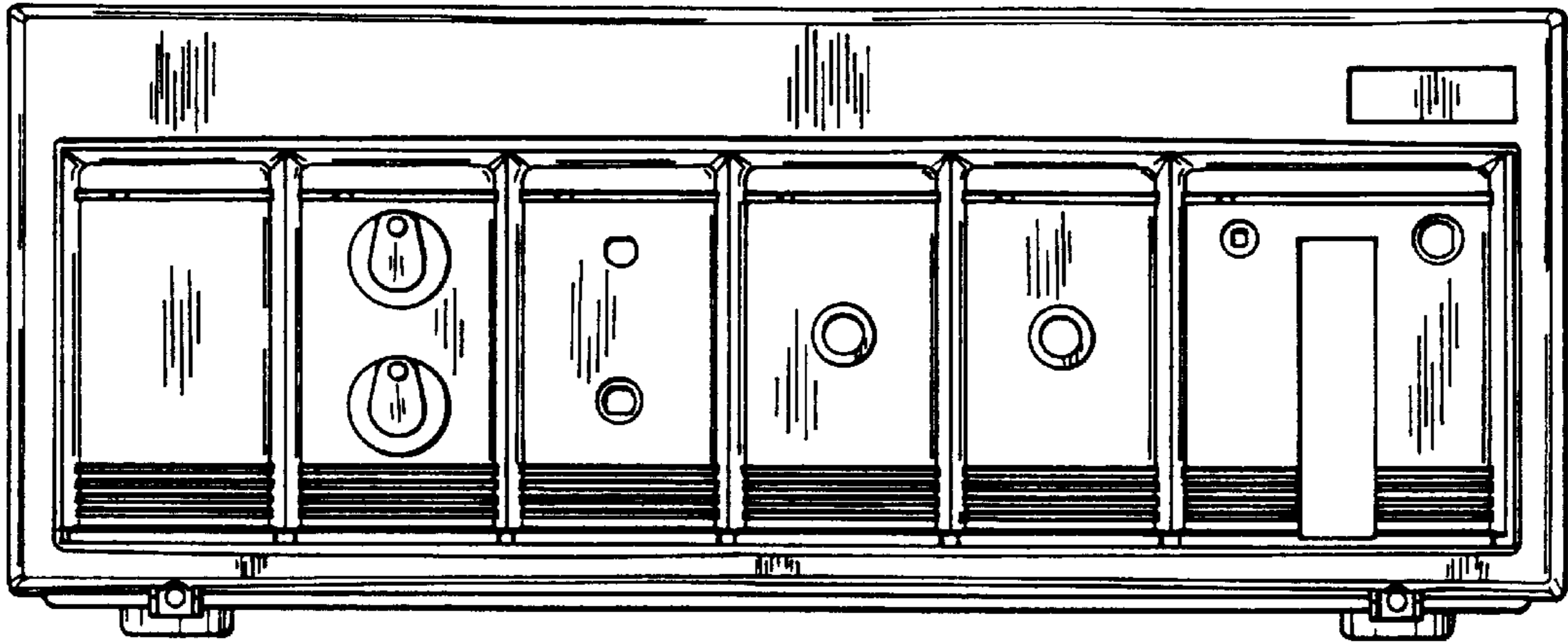


FIG. 29

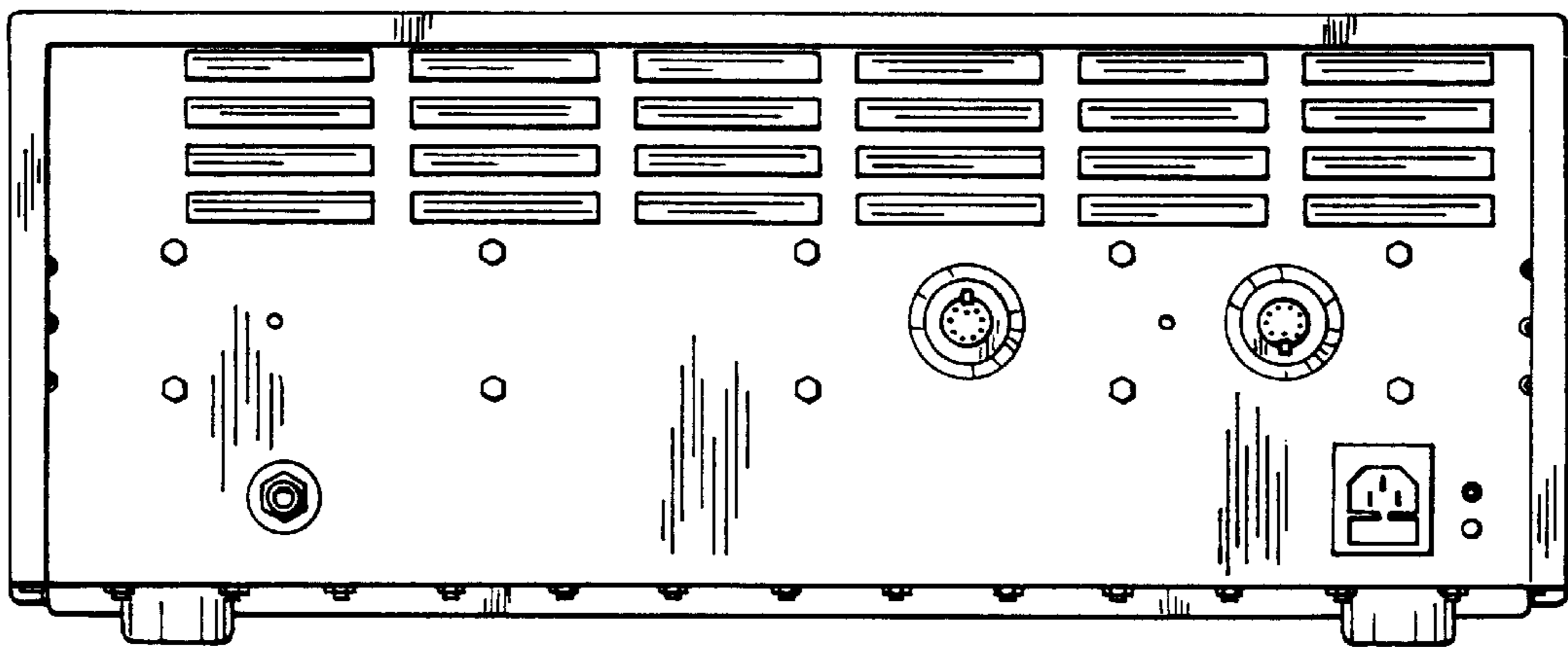


FIG. 30

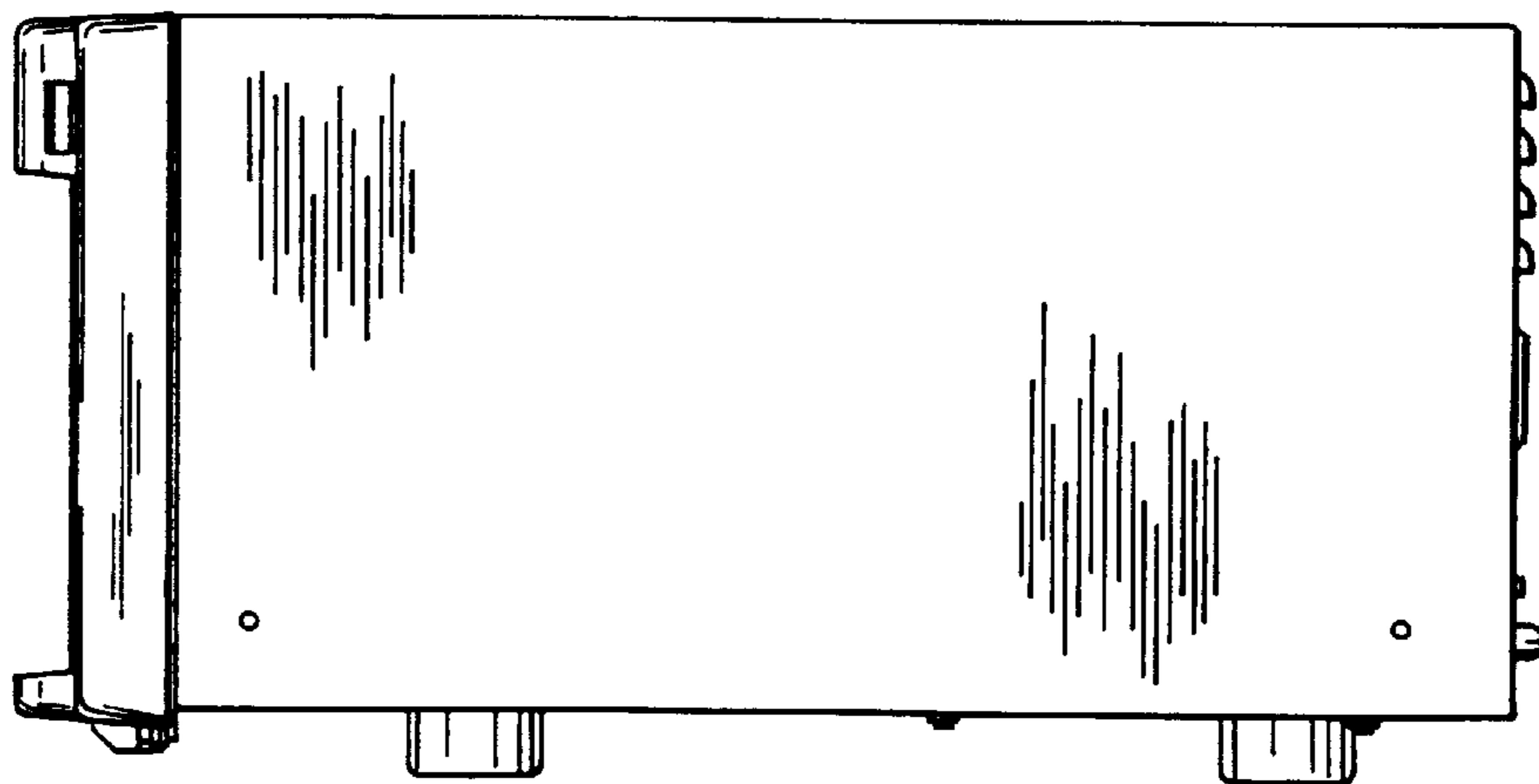


FIG. 31

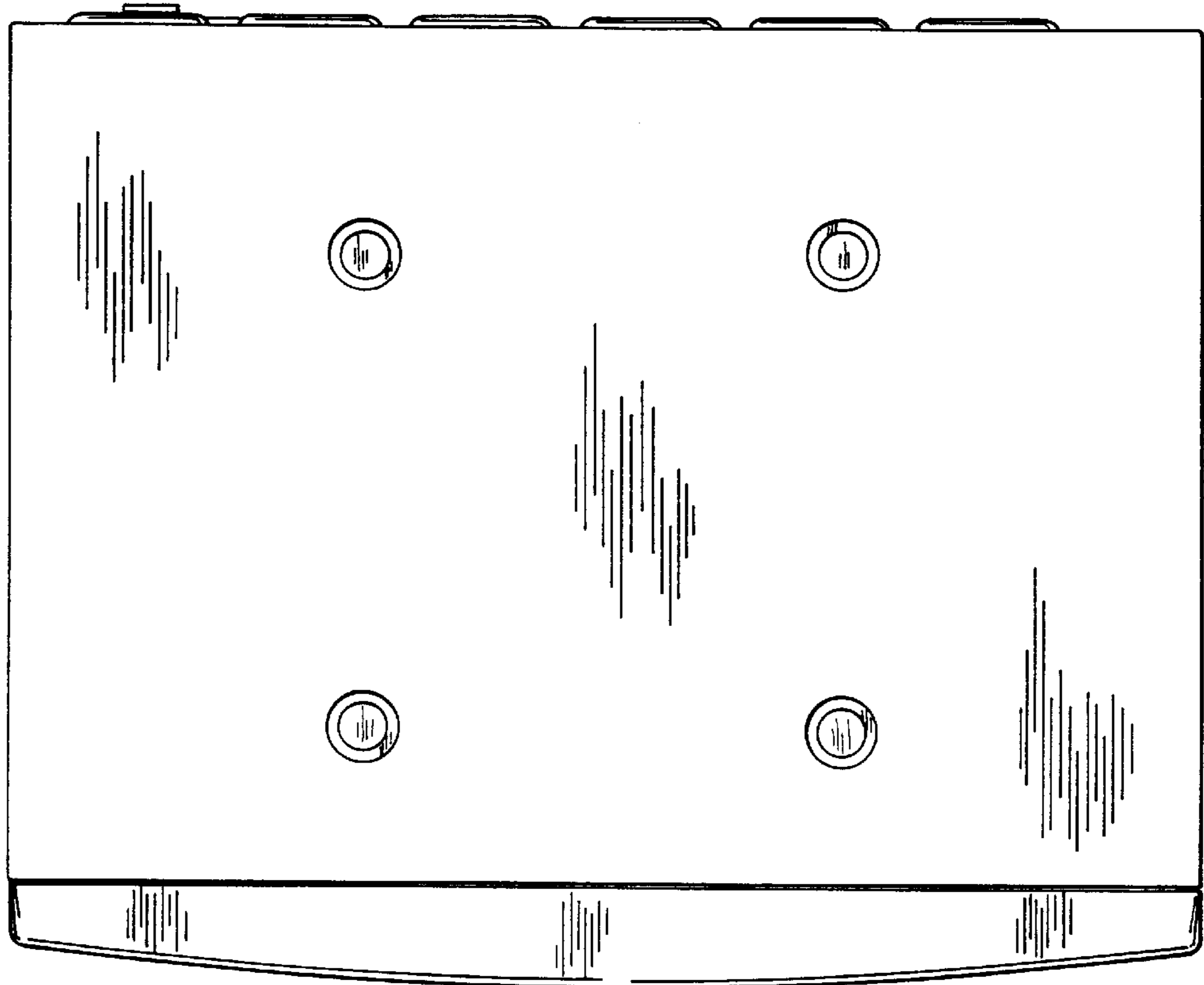


FIG. 32

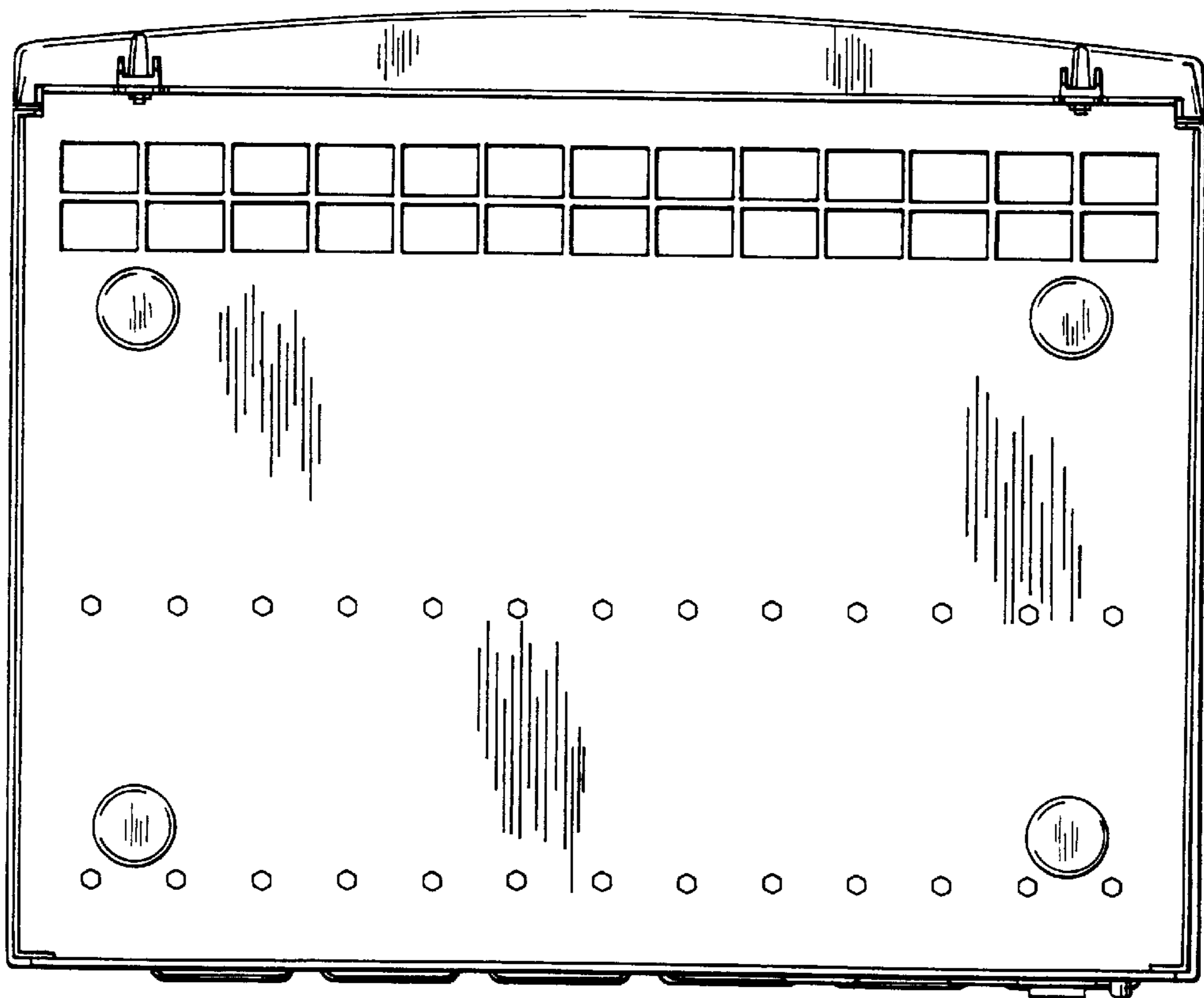


FIG. 33

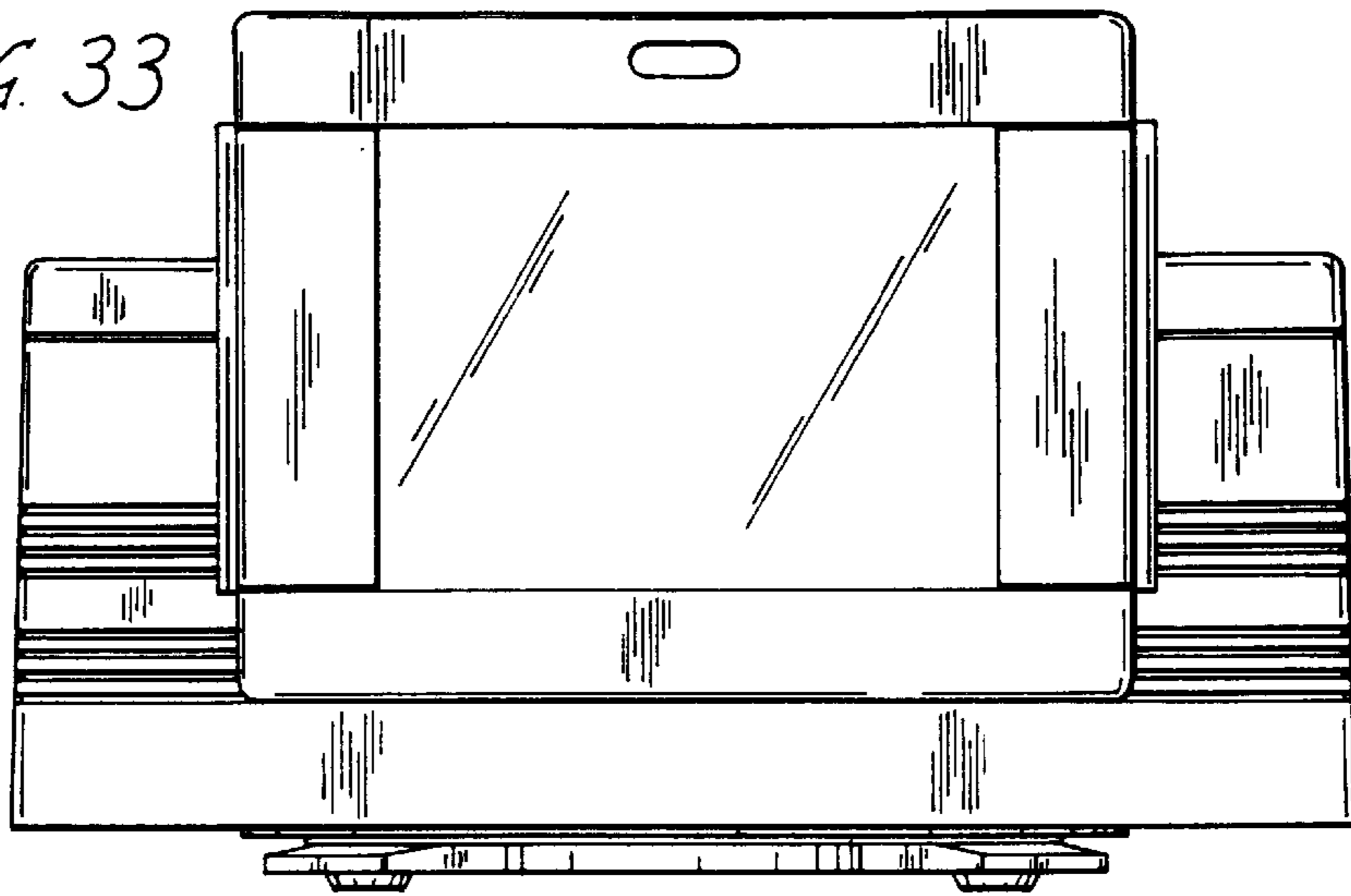


FIG. 34

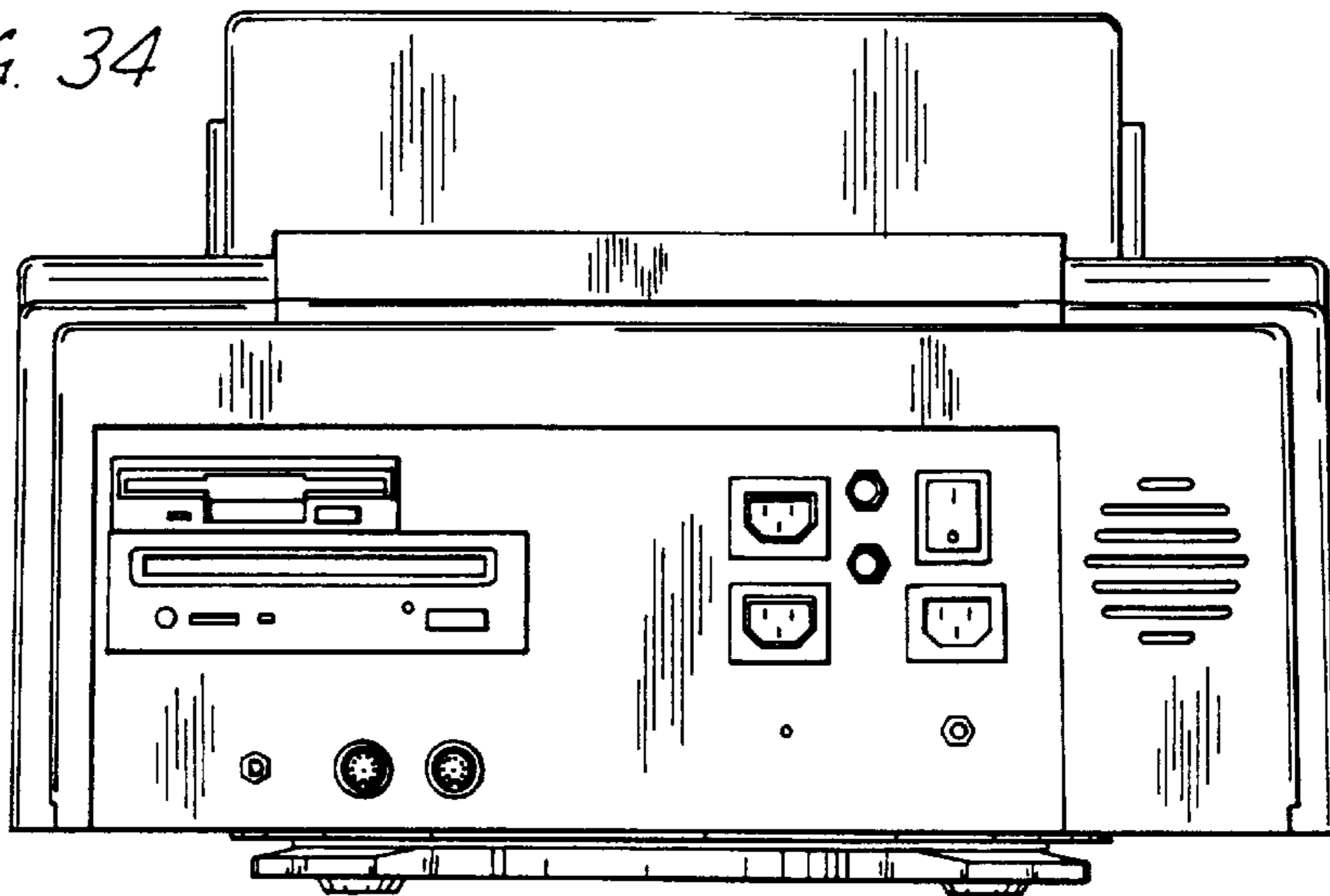


FIG. 35

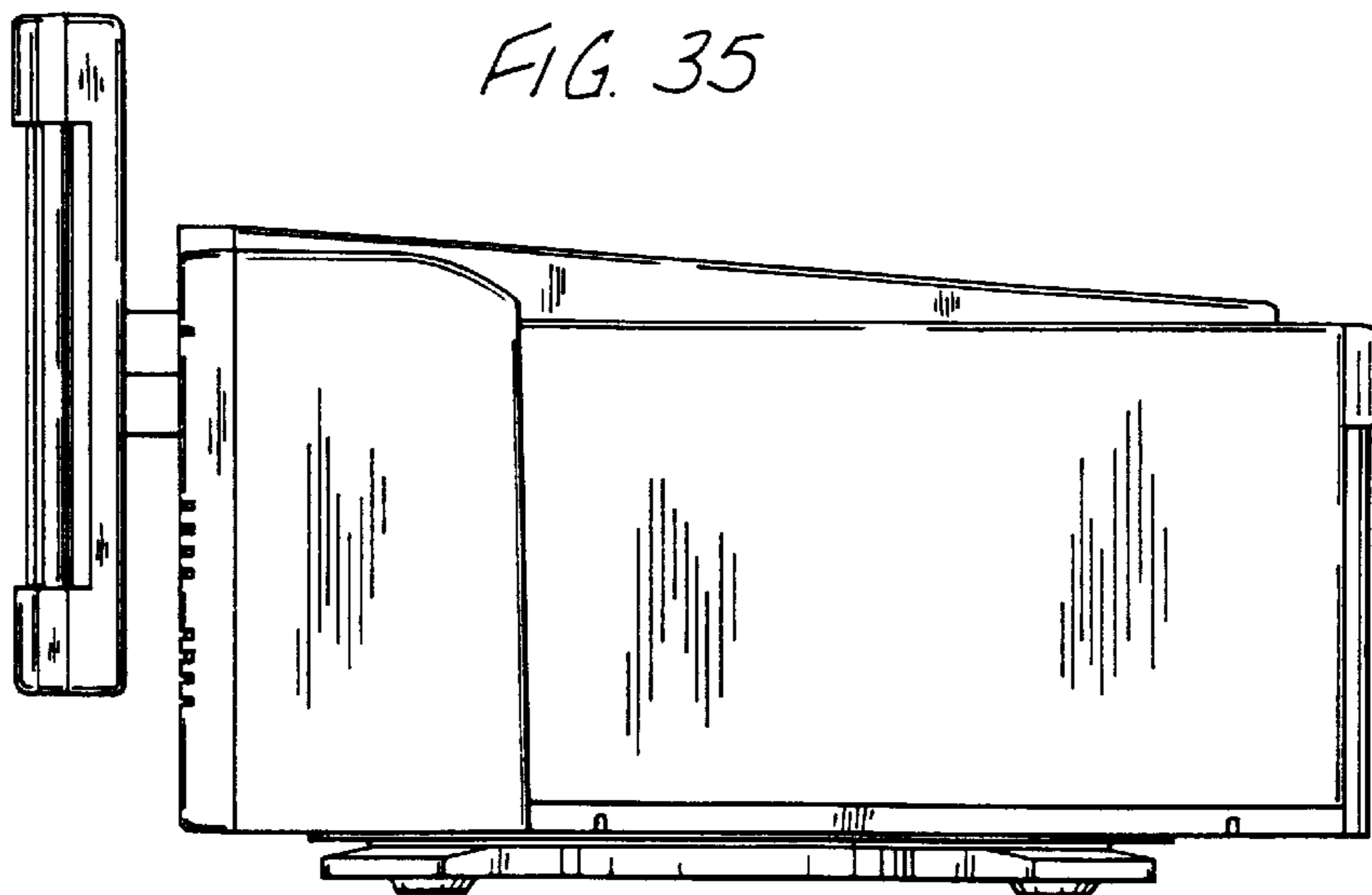


FIG. 36

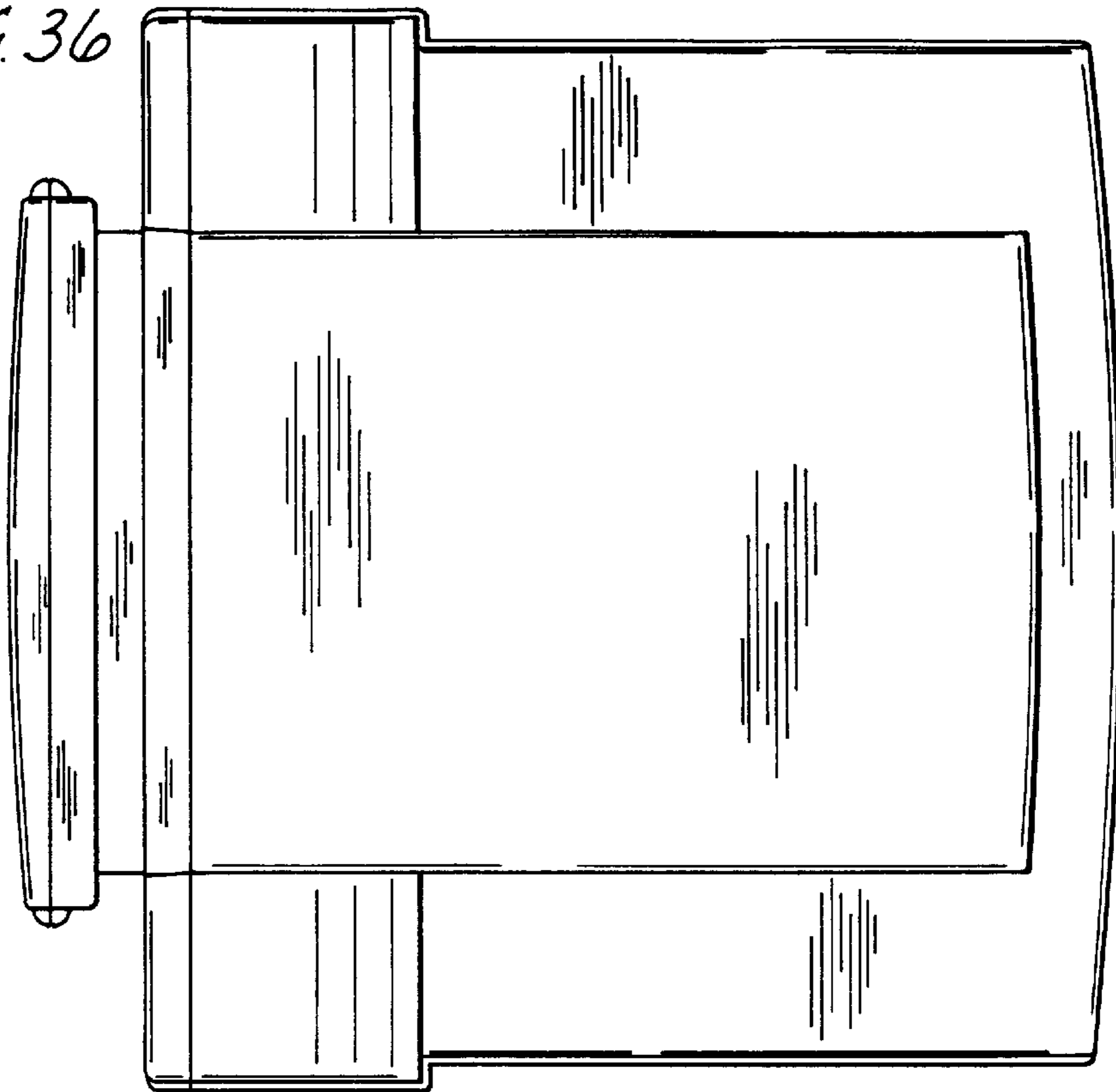


FIG. 37

