



US00D410541S

United States Patent [19] Moulin

[11] **Patent Number: Des. 410,541**
[45] **Date of Patent: ** Jun. 1, 1999**

[54] **INHALER**

D. 397,435 8/1998 Naumann D24/110
3,991,761 11/1976 Cocozza 128/266

[75] Inventor: **Claude Moulin**, Rheinfelden,
Switzerland

[73] Assignee: **Novartis AG**, Basel, Switzerland

[**] Term: **14 Years**

Primary Examiner—Stella Reid
Assistant Examiner—I Simmons
Attorney, Agent, or Firm—Stephen G. Kalinchak; William
K. Wissing

[21] Appl. No.: **29/080,996**

[57] **CLAIM**

[22] Filed: **Dec. 22, 1997**

I claim the ornamental design for an inhaler, as shown and
described.

[30] **Foreign Application Priority Data**

Jun. 30, 1997 [GB] United Kingdom 2067040

DESCRIPTION

[51] **LOC (6) Cl.** **24-04**

[52] **U.S. Cl.** **D24/110**

[58] **Field of Search** D24/110, 110.5,
D24/110.4; 128/200.14, 203.23, 200.12,
203.12, 203.15

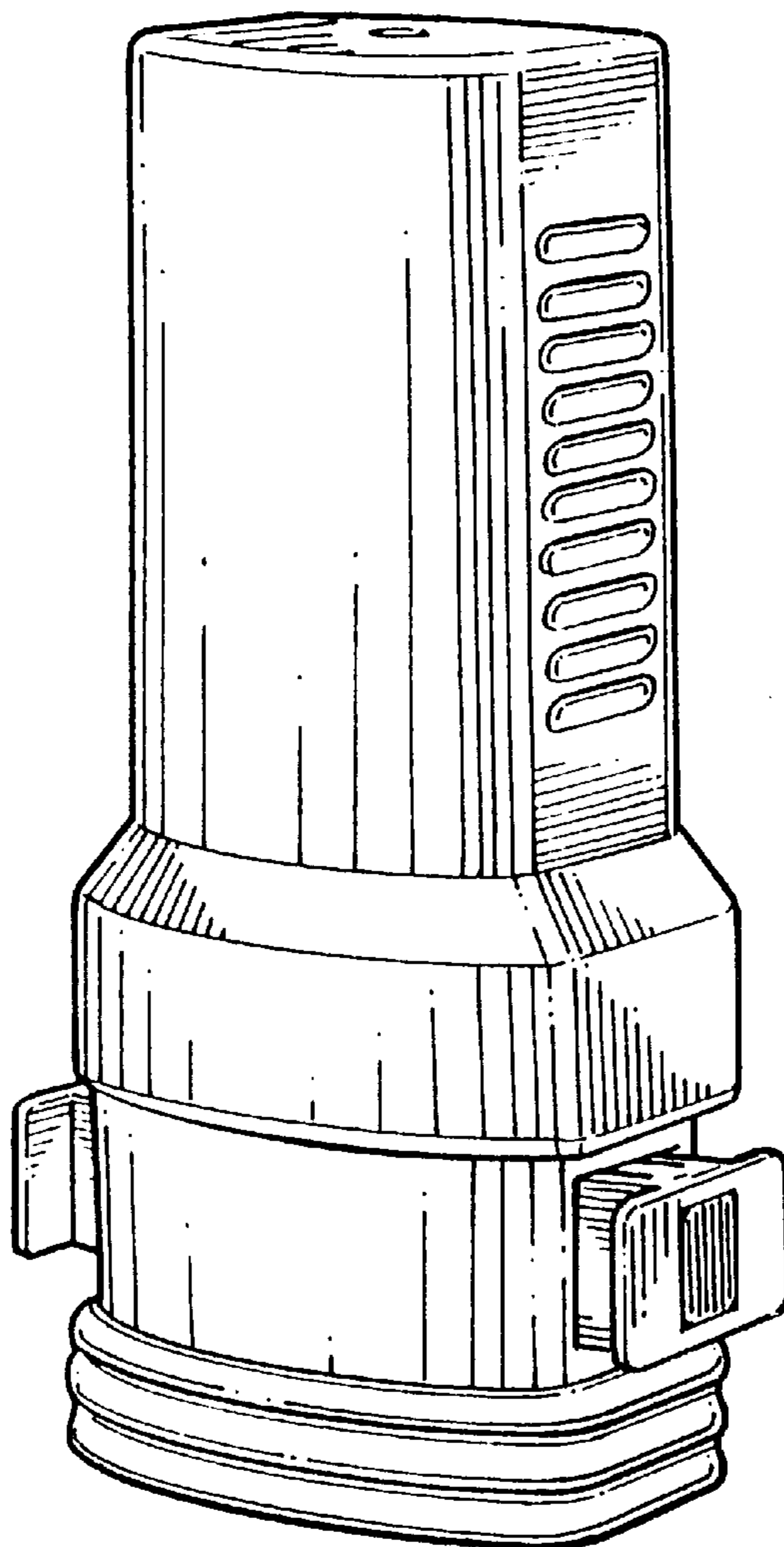
FIG. 1 front and side perspective view;
FIG. 2 side perspective view;
FIG. 3 bottom perspective view; and,
FIG. 4 top perspective view.

[56] **References Cited**

U.S. PATENT DOCUMENTS

D. 348,928 7/1994 Ashley et al. D24/110

1 Claim, 2 Drawing Sheets



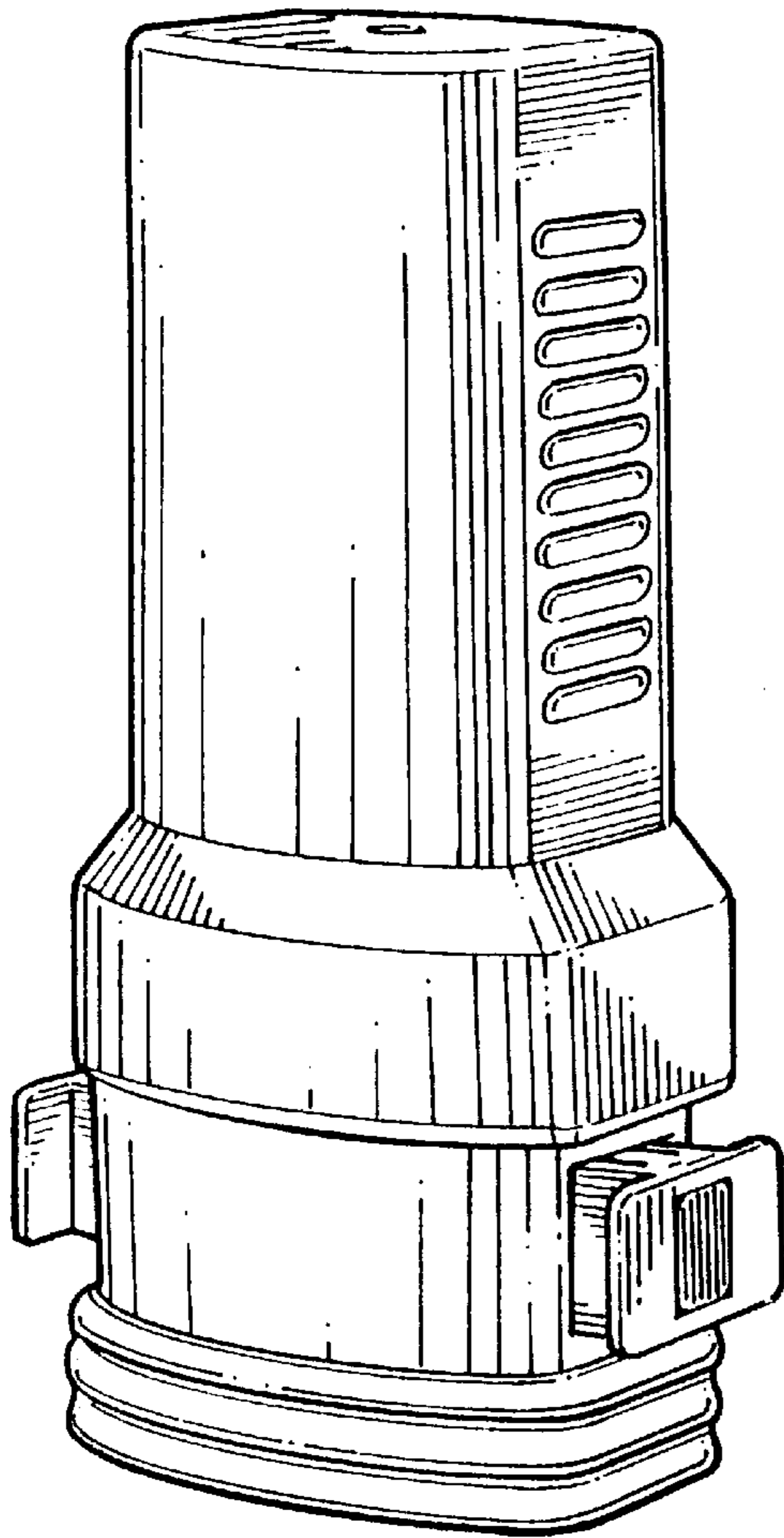


FIG. 1

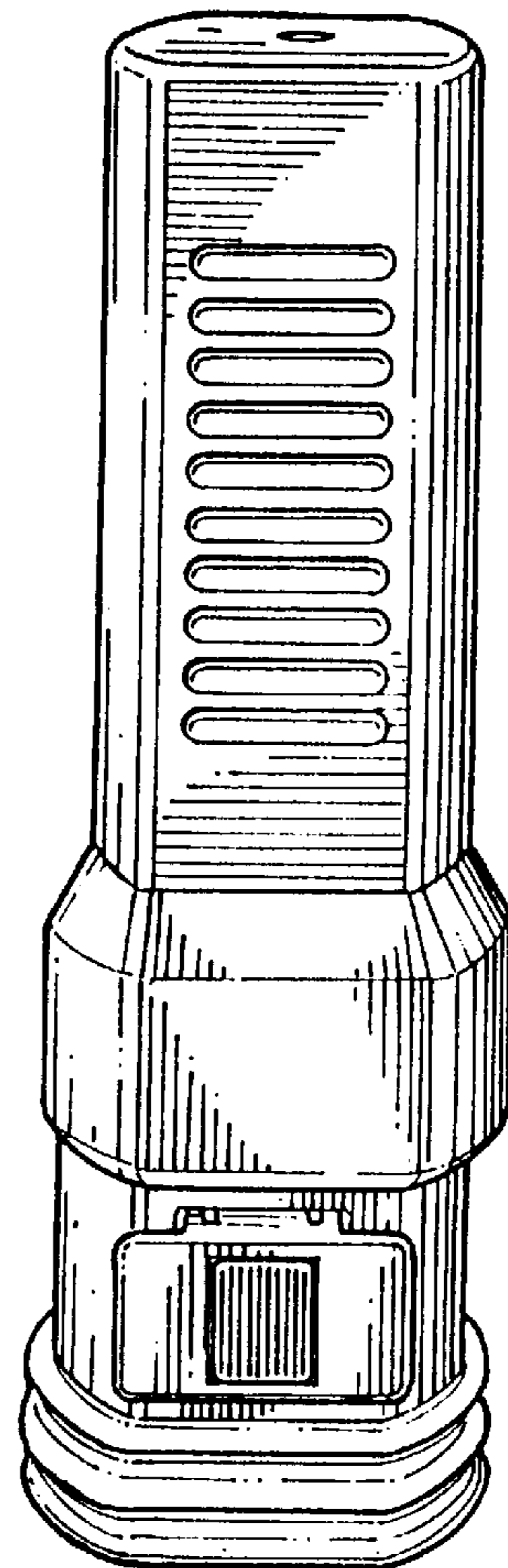


FIG. 2

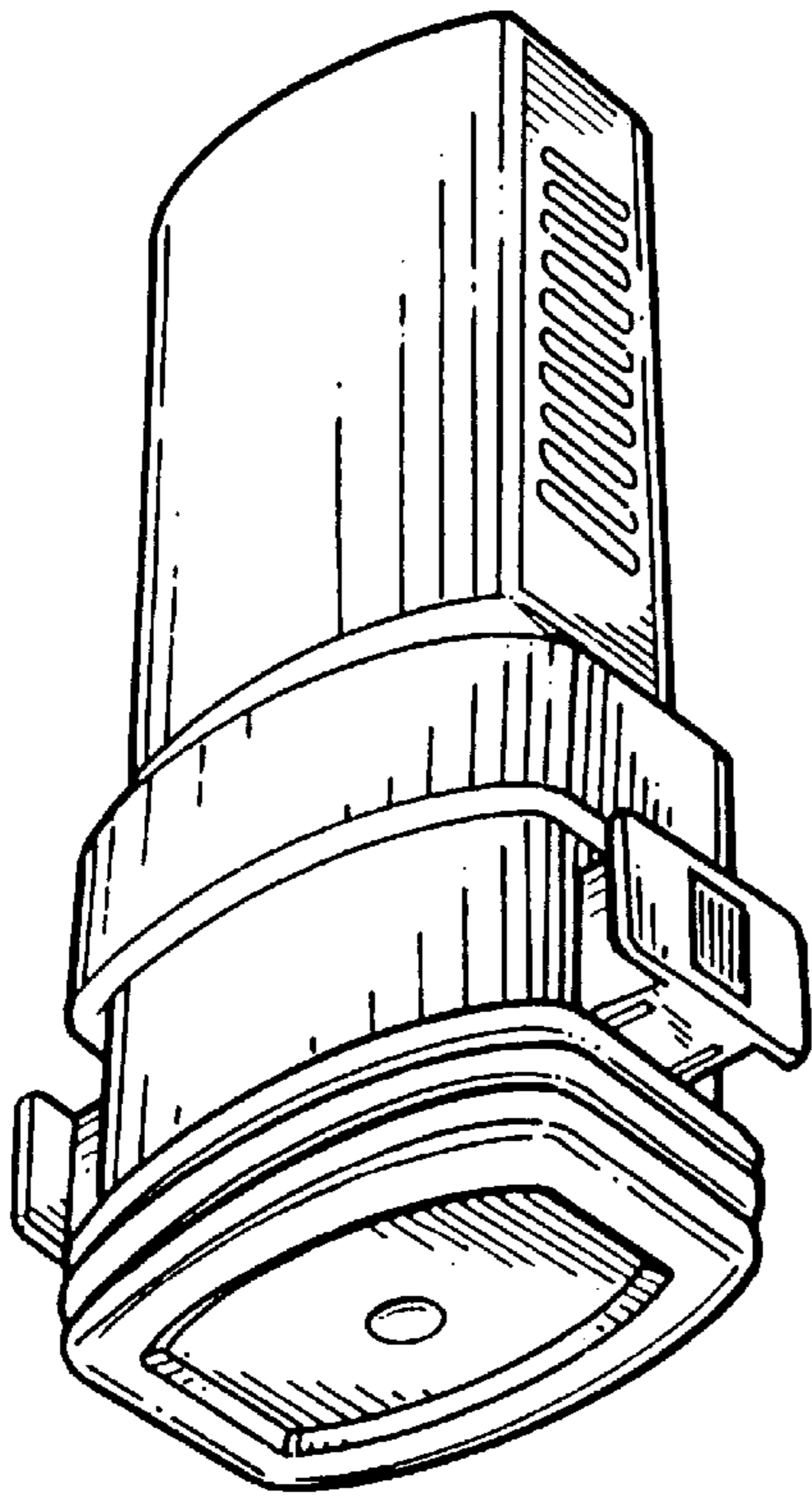


FIG. 3

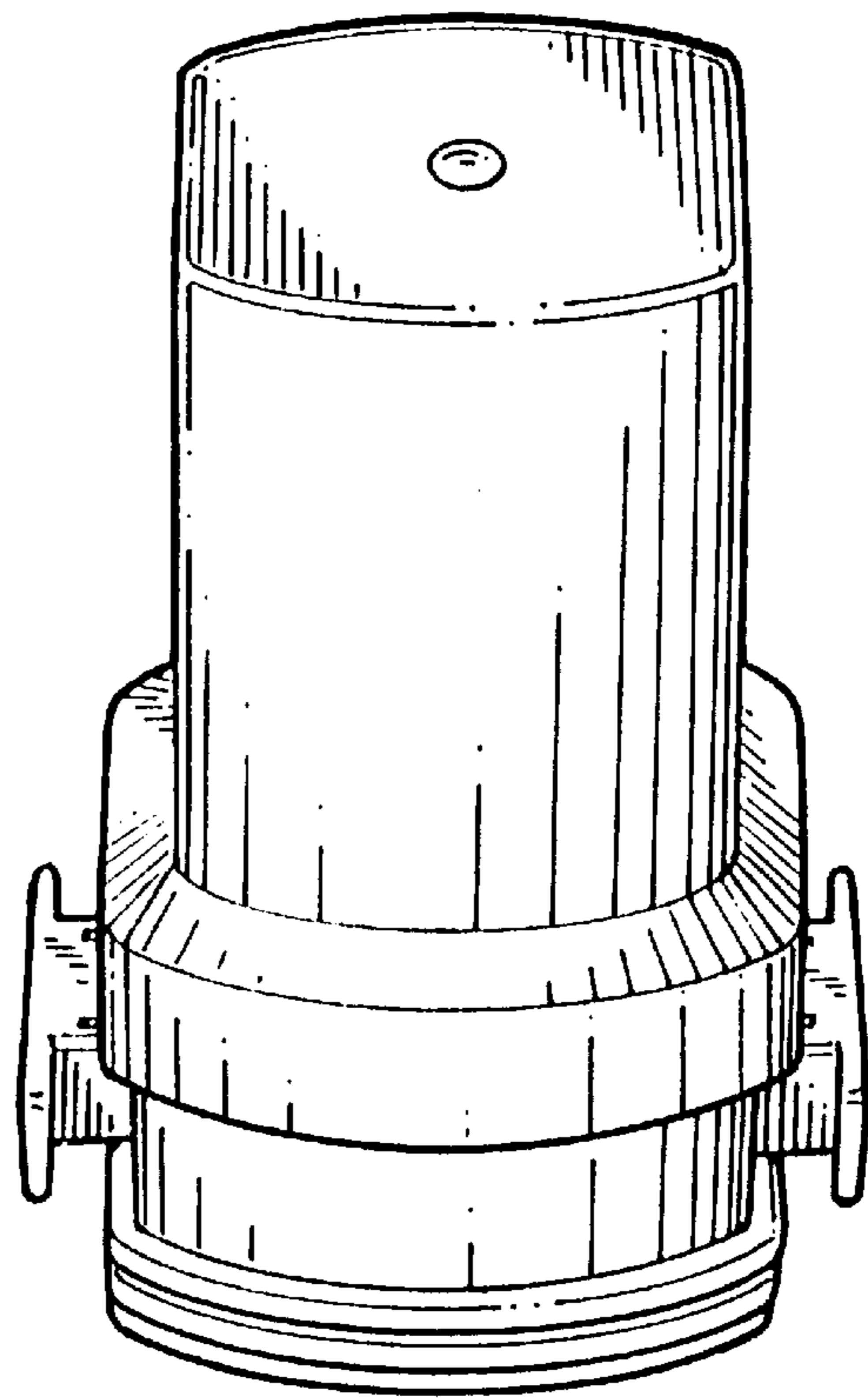


FIG. 4