



US00D410538S

United States Patent [19]
Collins

[11] **Patent Number: Des. 410,538**

[45] **Date of Patent: ** Jun. 1, 1999**

[54] **STOVE**

[76] Inventor: **Brian J. Collins**, W277 Cedar Valley Rd., Stoddard, Wis. 54658

[**] Term: **14 Years**

[21] Appl. No.: **29/091,195**

[22] Filed: **Jul. 23, 1998**

[51] **LOC (6) Cl.** **23-03**

[52] **U.S. Cl.** **D23/342; D23/343**

[58] **Field of Search** **D23/342-347, D23/350; 126/500, 4, 67, 190**

[56] **References Cited**

U.S. PATENT DOCUMENTS

- D. 194,964 4/1963 Hanger D23/350
- D. 253,370 11/1979 Chalmers D23/350

D. 263,864 4/1982 Dillon D23/350

Primary Examiner—Lisa Lichtenstein
Attorney, Agent, or Firm—M. Paul Hendrickson

[57] **CLAIM**

The ornamental design for a stove, as shown.

DESCRIPTION

FIG. 1 is an isometric view showing a portion of the top, front and one side of a stove embodying my new design.

FIG. 2 is a top view showing the top of the stove.

FIG. 3 is a right side view showing the right side of the stove.

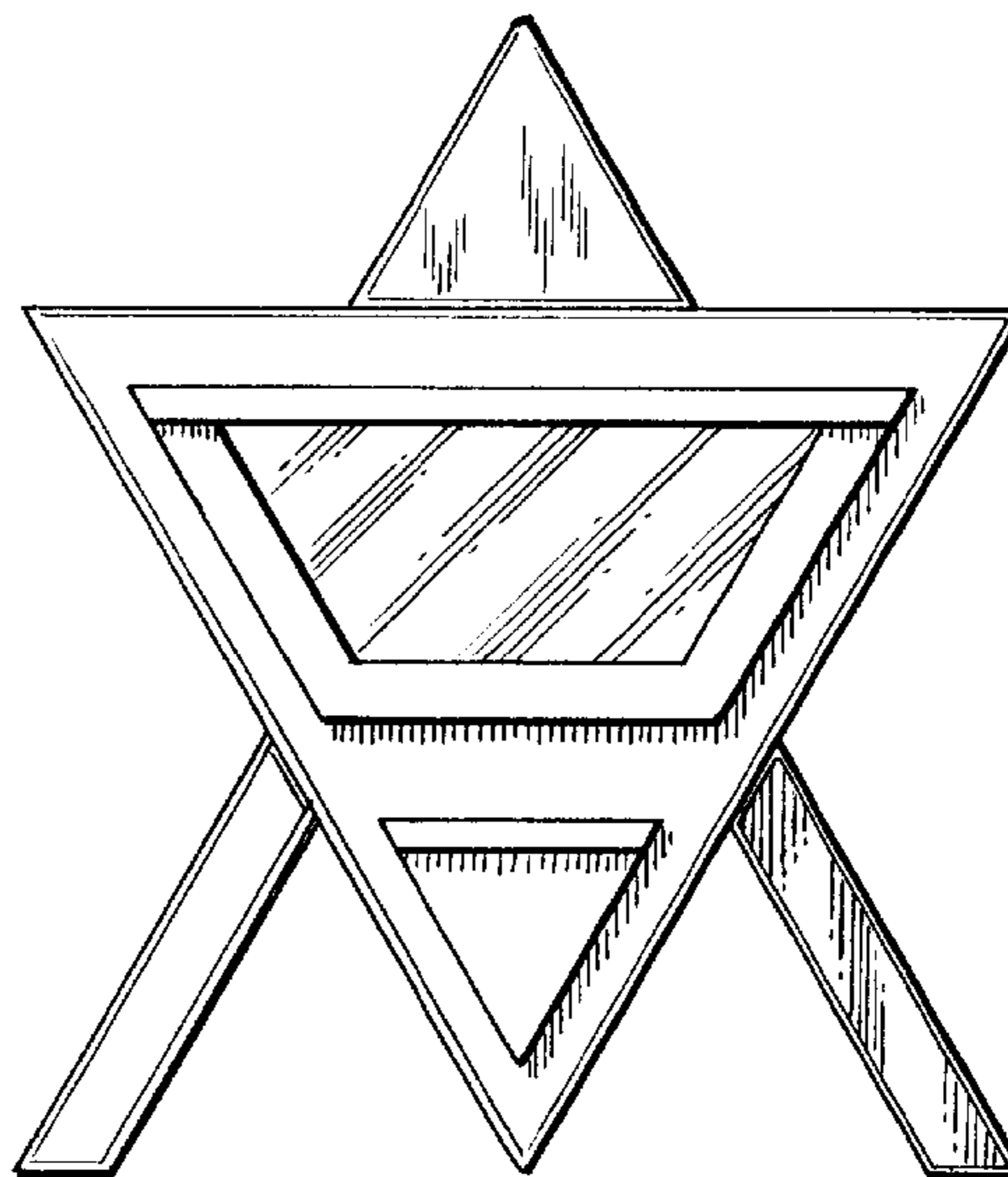
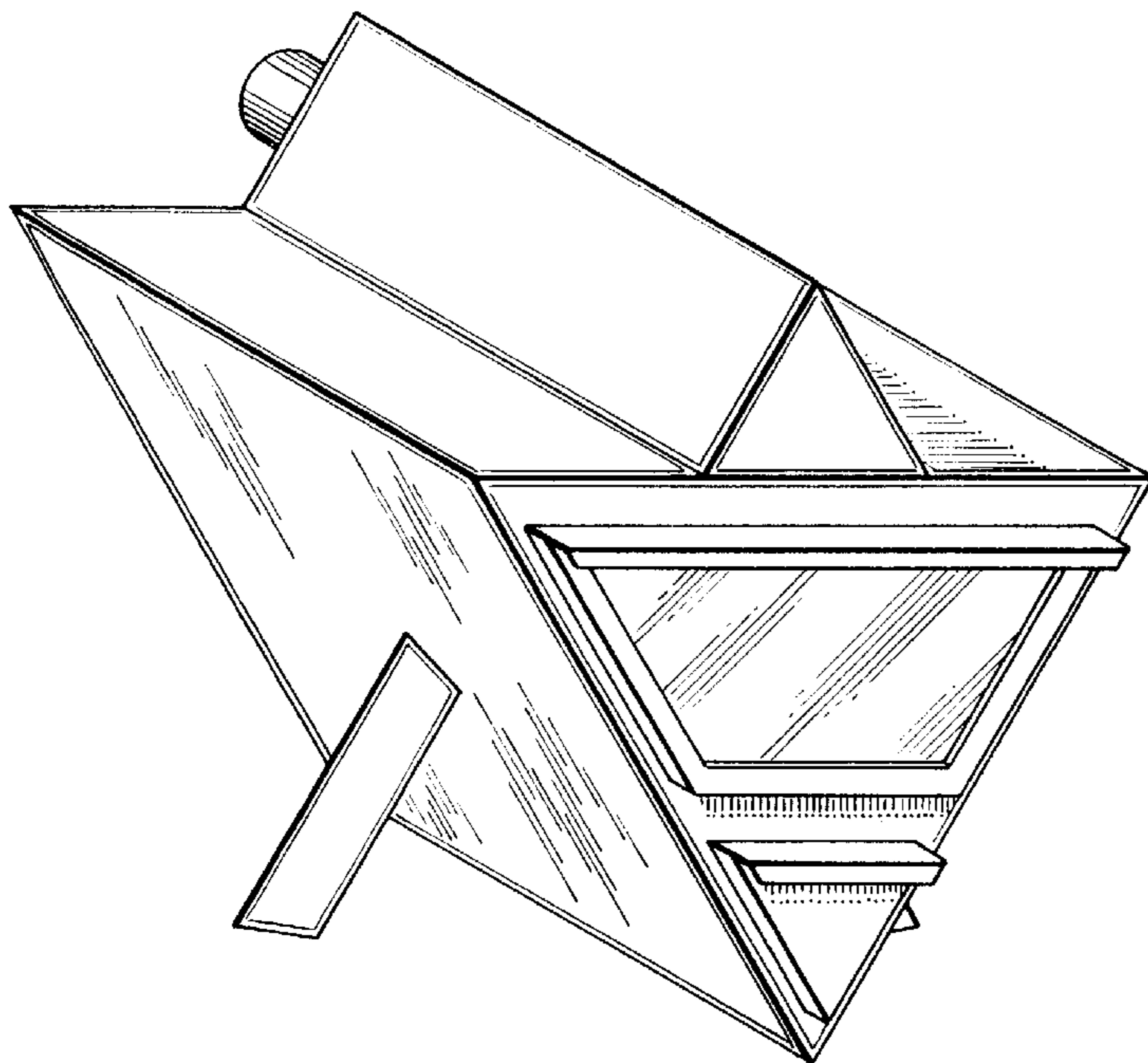
FIG. 4 is a front view showing the front of the stove.

FIG. 5 is a side view showing the left side of the stove.

FIG. 6 is a rear view showing the back of the stove; and,

FIG. 7 is a bottom view showing the bottom of the stove.

1 Claim, 2 Drawing Sheets



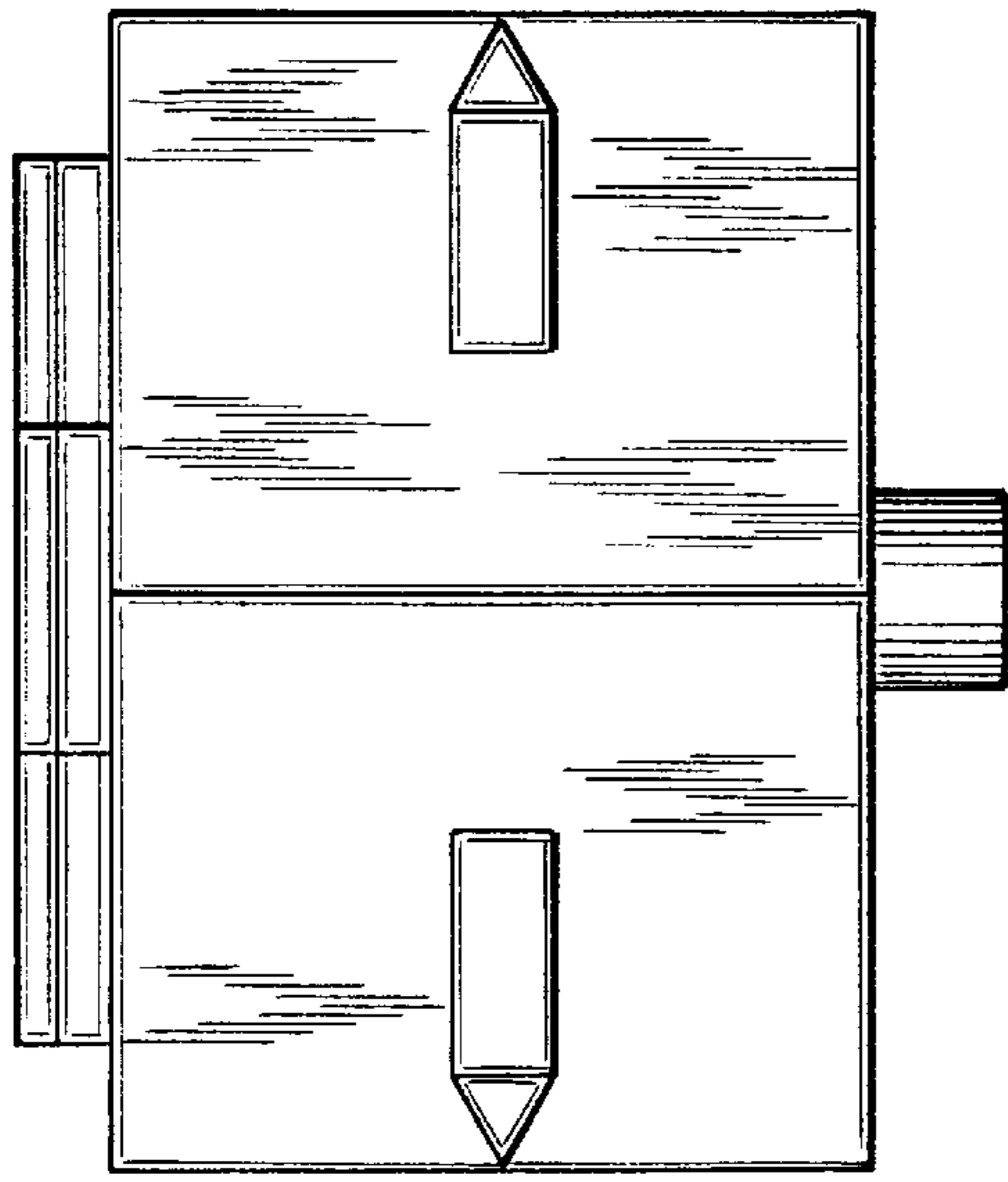


FIG. 7

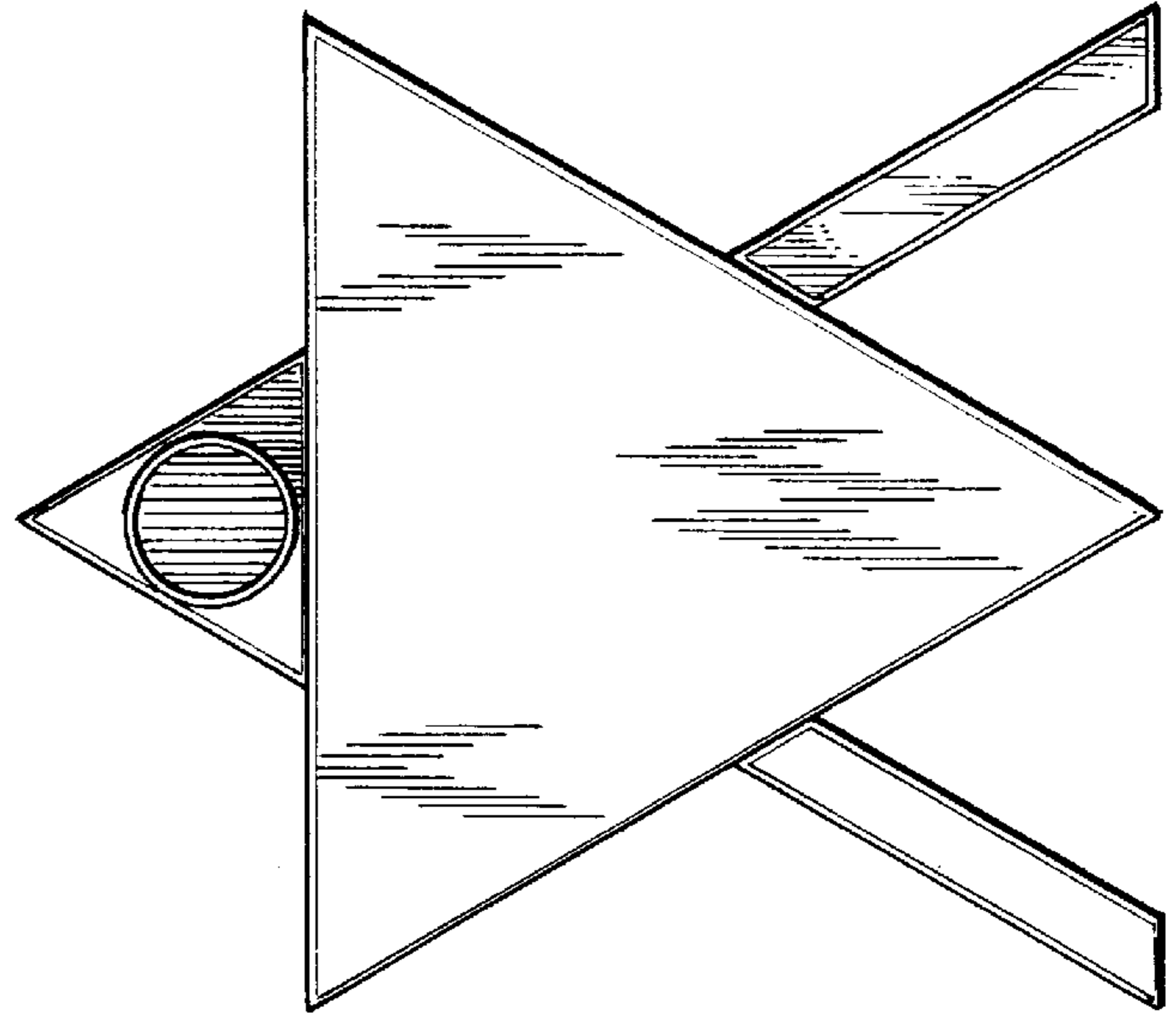


FIG. 6

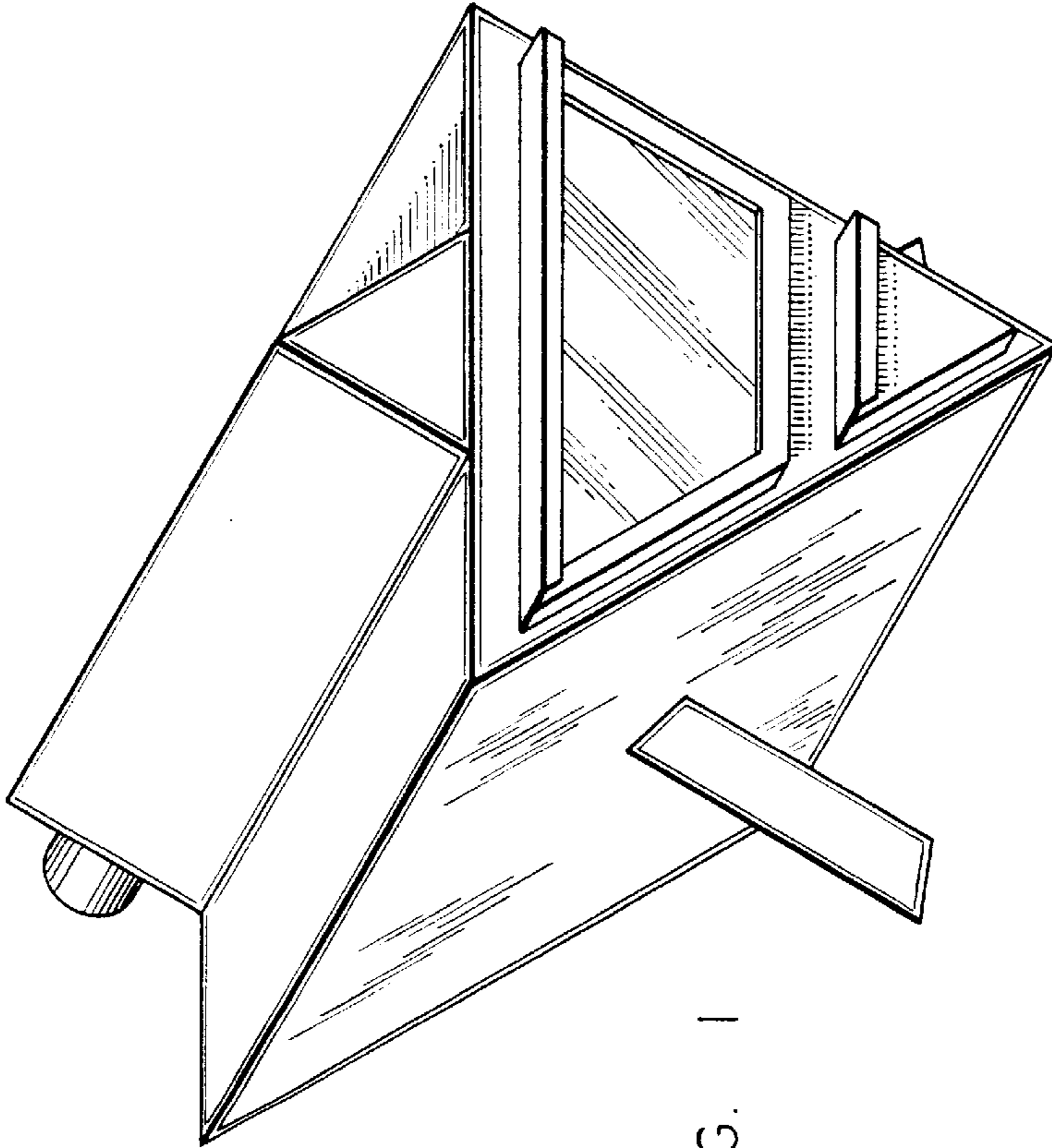


FIG. 1

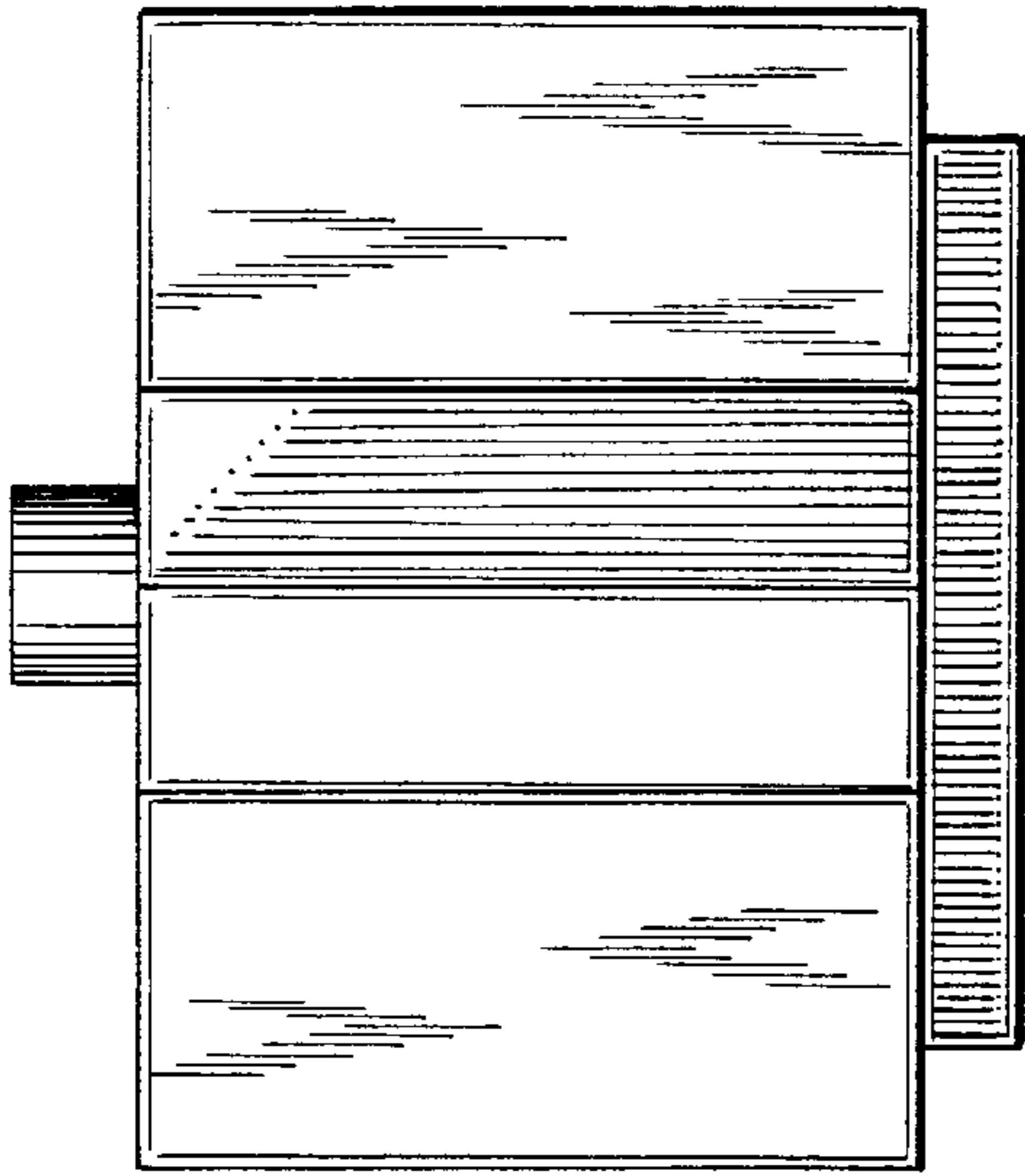


FIG. 2

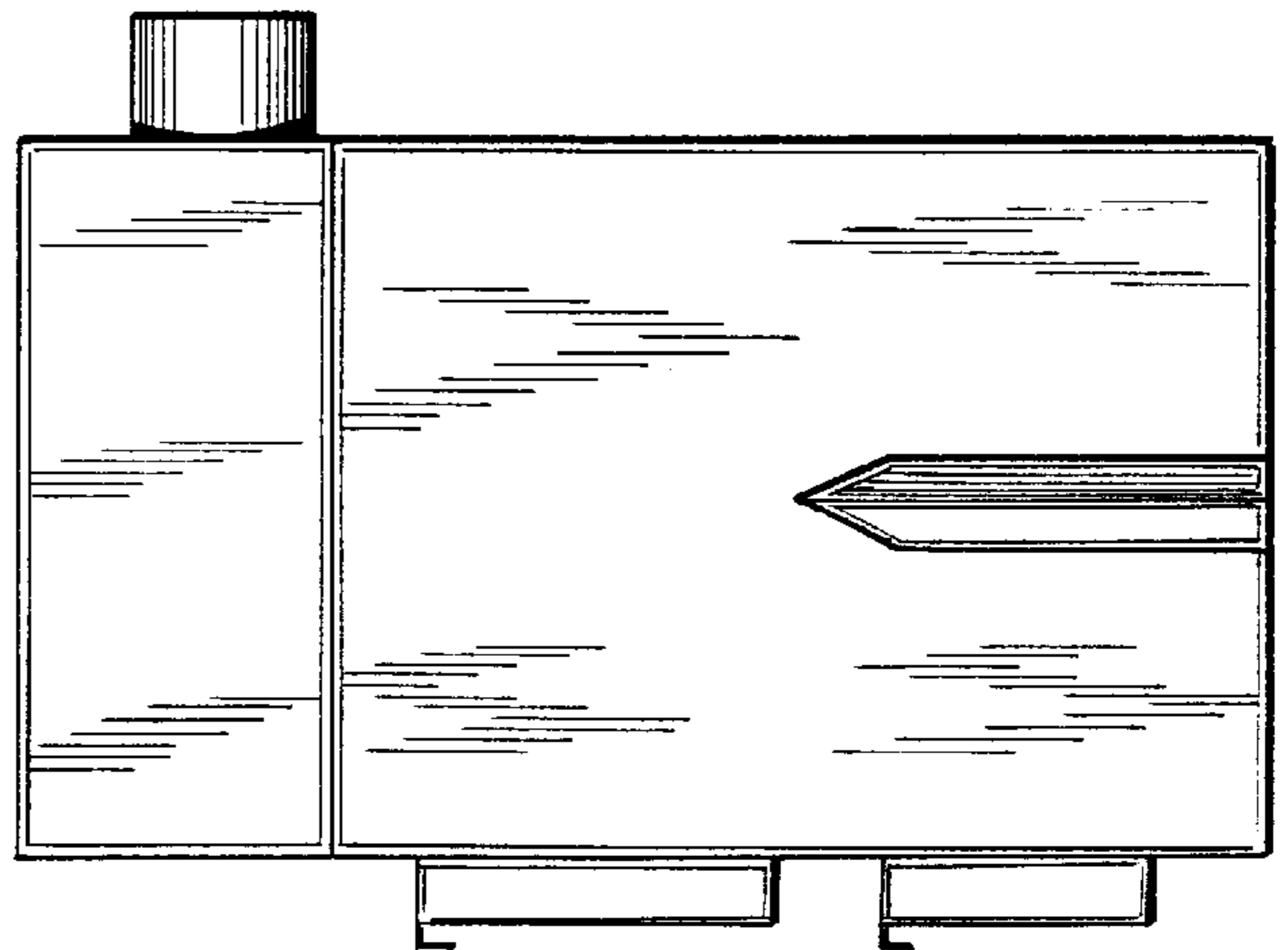


FIG. 3

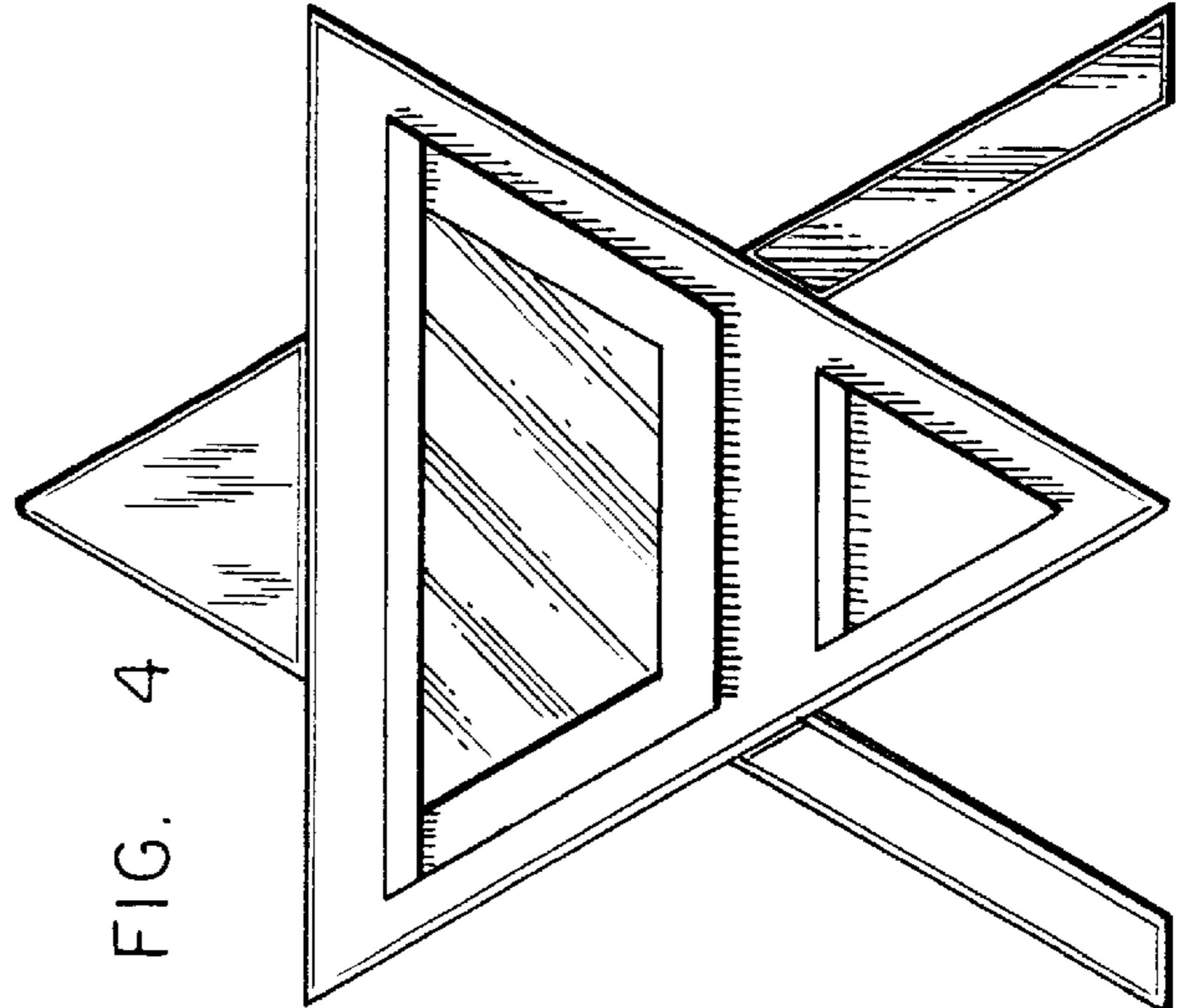


FIG. 4

FIG. 5

