



US00D410535S

United States Patent [19] Eckman

[11] **Patent Number: Des. 410,535**
[45] **Date of Patent: ** Jun. 1, 1999**

[54] **COMBINED WATER COOLER AND HEATING UNIT**

[75] Inventor: **Charles M. Eckman, Dallas, Pa.**

[73] Assignee: **Energy Converters, Inc., Dallas, Pa.**

[**] Term: **14 Years**

[21] Appl. No.: **29/063,576**

[22] Filed: **Dec. 10, 1996**

Related U.S. Application Data

[63] Continuation of application No. 08/326,512, Oct. 20, 1994, Pat. No. 5,703,998.

[51] **LOC (6) Cl. 23-03**

[52] **U.S. Cl. D23/318**

[58] **Field of Search D23/318; 122/13.2, 122/14, 15; 392/451, 477**

[56] References Cited

U.S. PATENT DOCUMENTS

| | | | | |
|------------|---------|-------------------|-------|---------|
| D. 224,406 | 7/1972 | Heck | | D26/1 |
| 579,611 | 3/1897 | Smith | | 392/451 |
| 1,046,465 | 12/1912 | Hoyt | . | |
| 1,281,157 | 10/1918 | Hadaway, Jr. | . | |
| 1,987,119 | 1/1935 | Long | | 219/39 |
| 2,104,848 | 1/1938 | Clark | | 392/451 |
| 2,255,527 | 9/1941 | Locke | | D23/342 |
| 2,274,445 | 2/1942 | Greer | | 219/38 |
| 3,496,517 | 2/1970 | Walter | | 339/18 |
| 3,564,589 | 2/1971 | Arak | | 219/331 |
| 3,707,618 | 12/1972 | Zeitlin et al. | | 219/336 |
| 3,831,129 | 8/1974 | Frey | | 339/19 |
| 4,046,989 | 9/1977 | Parise et al. | | 219/437 |
| 4,058,702 | 11/1977 | Jerles | | 219/321 |
| 4,152,578 | 5/1979 | Jacobs | | 219/336 |
| 4,217,483 | 8/1980 | Vogel et al. | | 219/541 |
| 4,419,567 | 12/1983 | Murphy et al. | | 219/336 |
| 4,641,012 | 2/1987 | Roberts | | 219/331 |
| 4,687,905 | 8/1987 | Cunningham et al. | | 219/336 |
| 4,913,666 | 4/1990 | Murphy | | 439/709 |

| | | | | |
|-----------|---------|---------------|-------|---------|
| 4,948,948 | 8/1990 | Lesage | | 219/329 |
| 5,066,852 | 11/1991 | Willbanks | | 219/544 |
| 5,113,480 | 5/1992 | Murphy et al. | | 392/501 |
| 5,293,446 | 3/1994 | Owens et al. | | 392/449 |

OTHER PUBLICATIONS

Encon Drawing No. 500765 (Jun. 10, 1987).
Vulcan Electric Company Trade Literature entitled "Bush-ing Immersion Heaters", 1983.
Western Electric Technical Digest No. 60 entitled "Pin Shorting Contact", p. 25, Oct. 1980.

Primary Examiner—Lisa Lichtenstein
Attorney, Agent, or Firm—Duane, Morris & Heckscher LLP

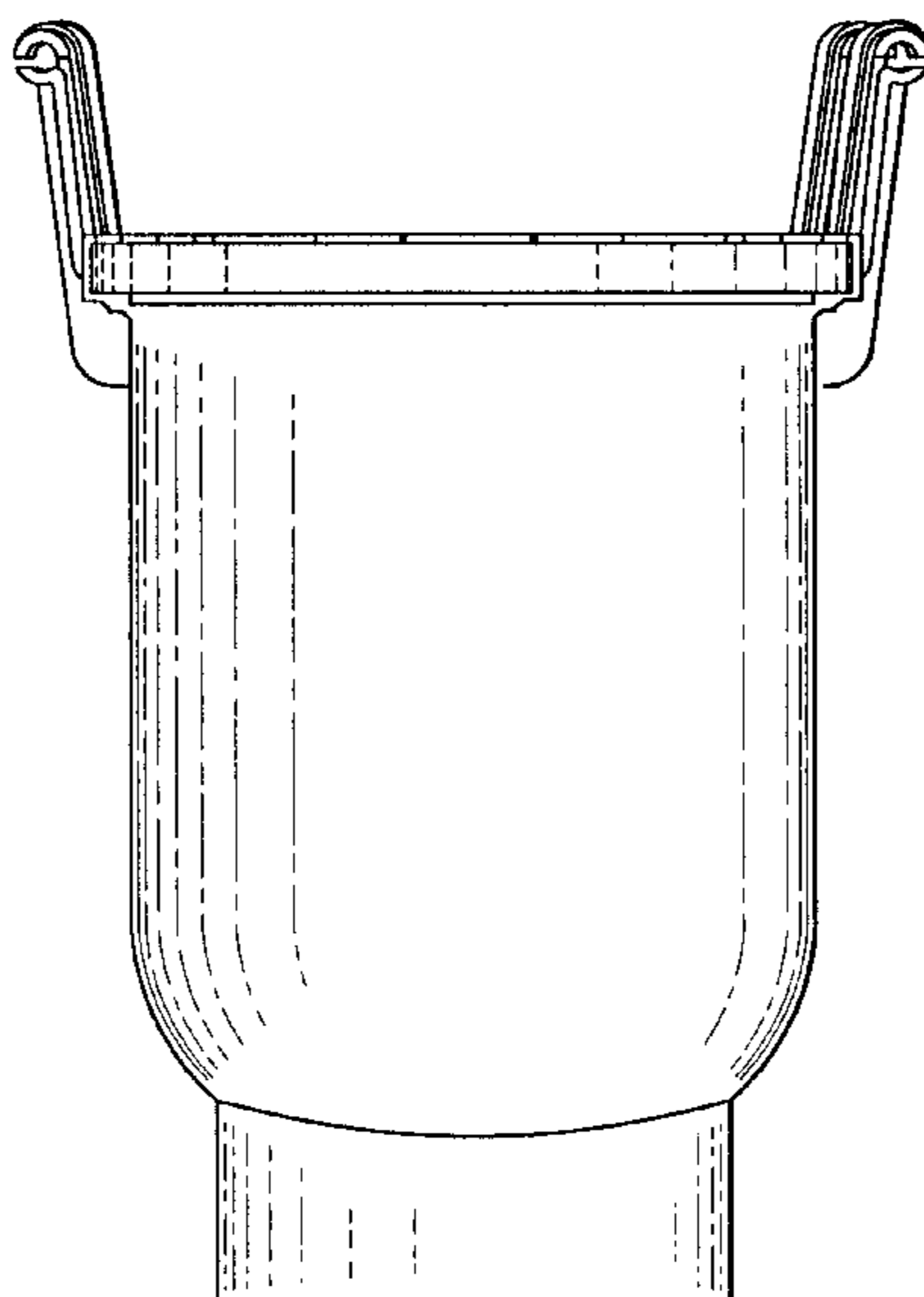
[57] CLAIM

The ornamental design for a combined water cooler and heating unit, as shown and described.

DESCRIPTION

FIG. 1 is a side elevation view of my combined water cooler and heating unit;
FIG. 2 is a bottom plan view of the combined water cooler and heating unit of FIG. 1;
FIG. 3 is a top plan view of the combined water cooler and heating unit of FIG. 1;
FIG. 4 is a front elevation view of the combined water cooler and heating unit of FIG. 1, the rear being substantially a mirror image of that shown;
FIG. 5 is a side elevation view of the side opposite the side shown in FIG. 1;
FIG. 6 is a bottom plan view of the lid portion of the combined water cooler and heating unit, shown separately for clarity of illustration;
FIG. 7 is a top plan view of the lid portion of the combined water cooler and heating unit, shown separately for clarity of illustration; and,
FIG. 8 is side elevation view of the lid portion of the combined water cooler and heating unit shown separately for clarity of illustration.

1 Claim, 6 Drawing Sheets



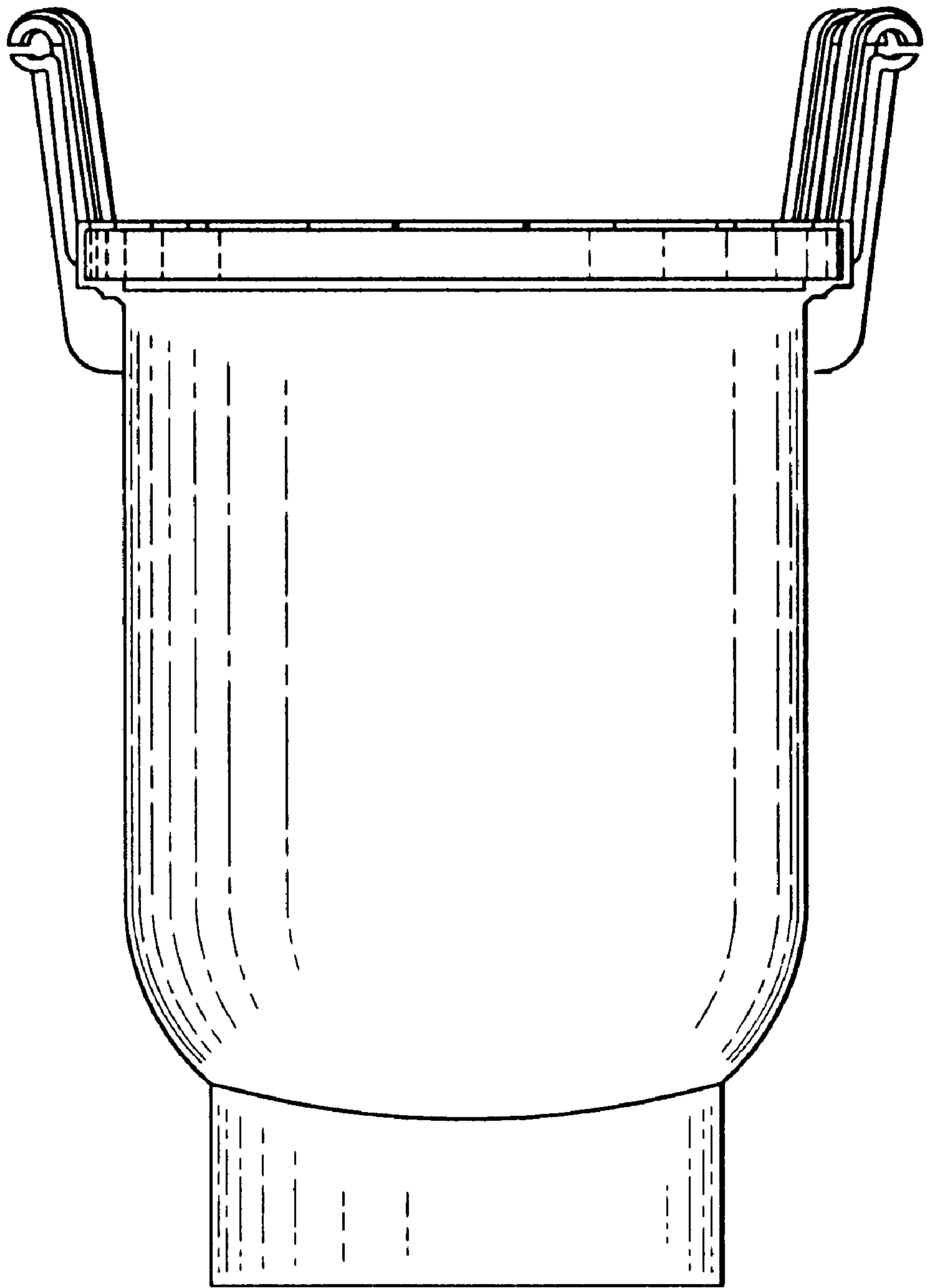


FIG. 1

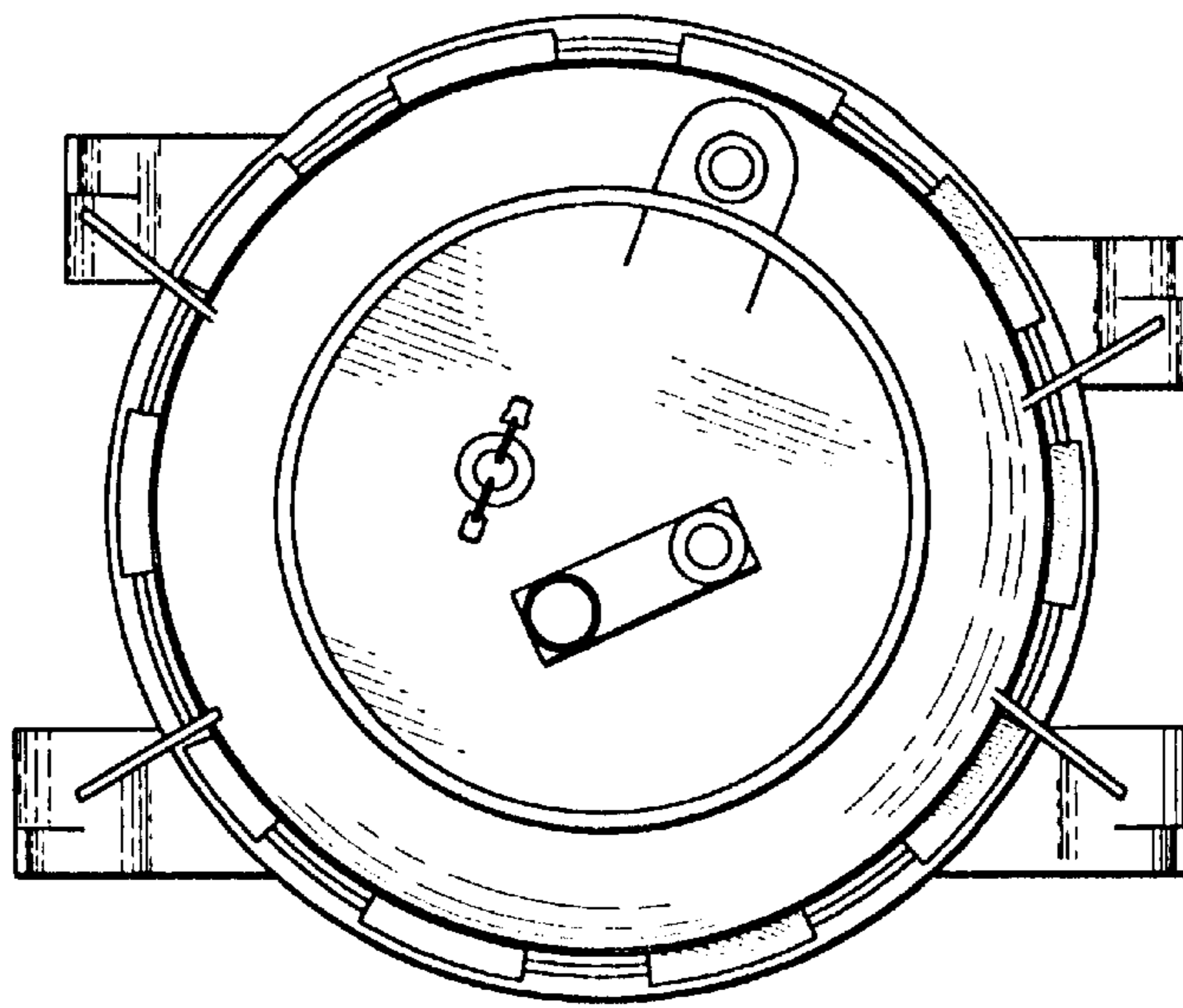


FIG. 2

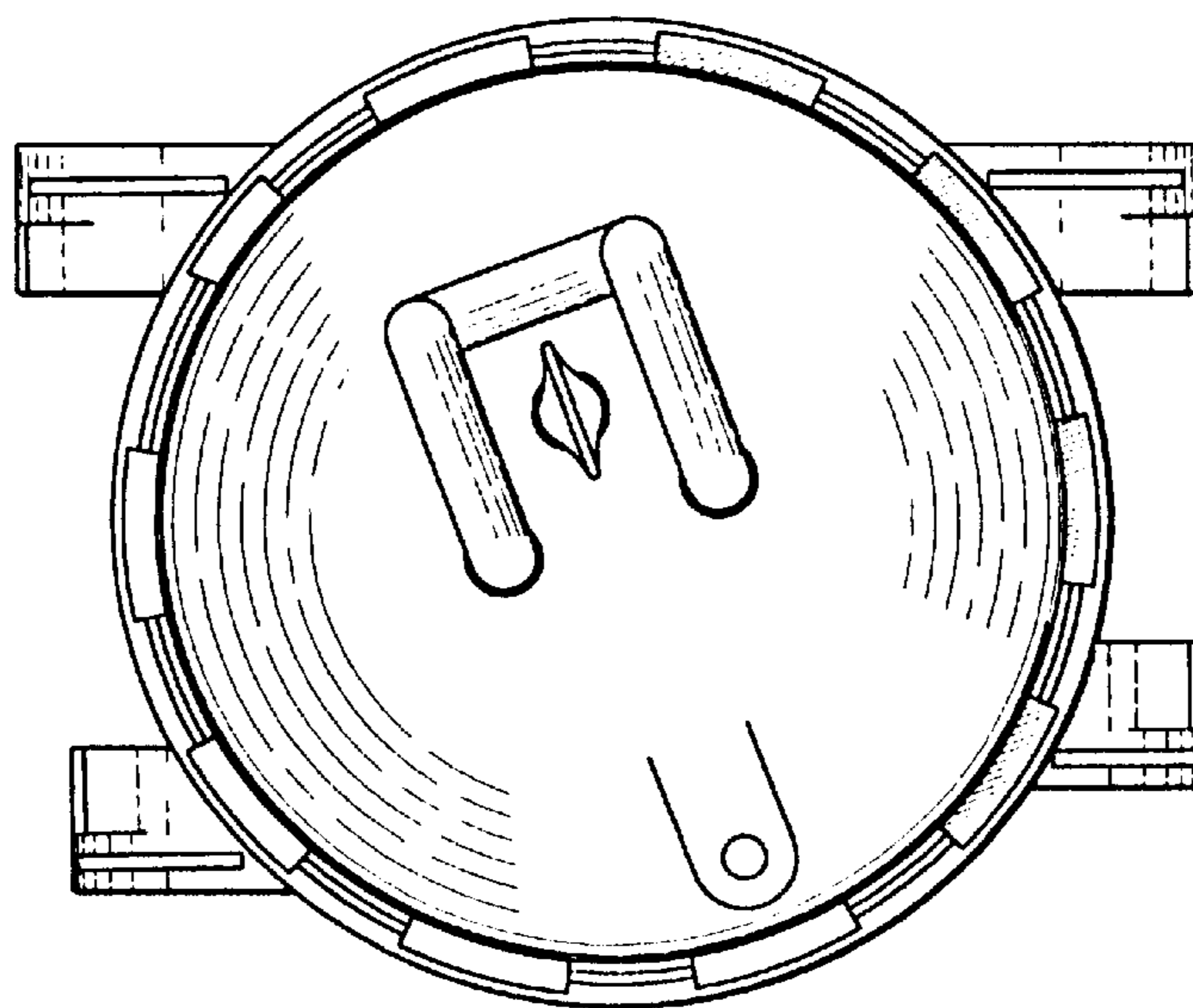


FIG. 3

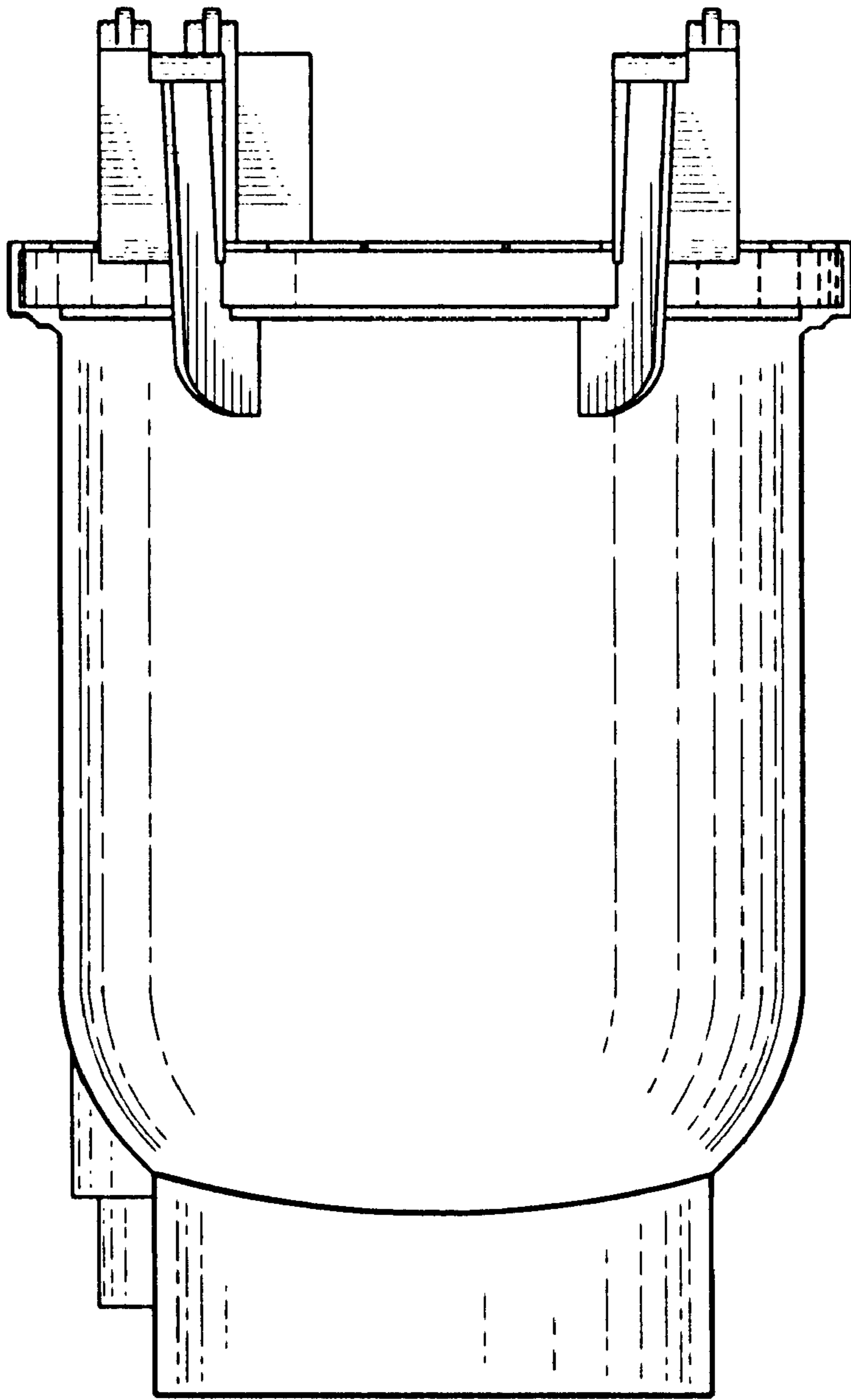


FIG. 4

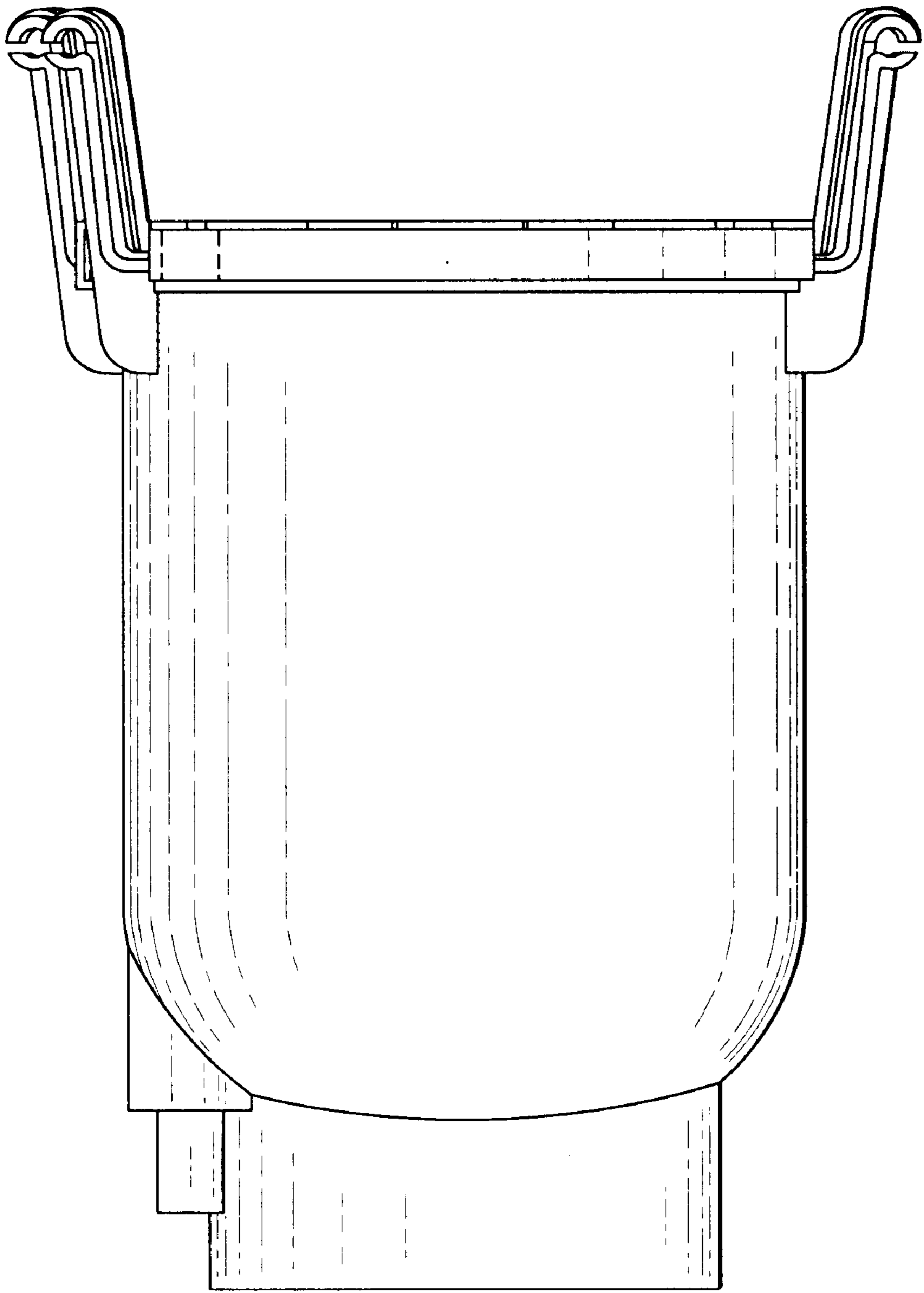


FIG. 5

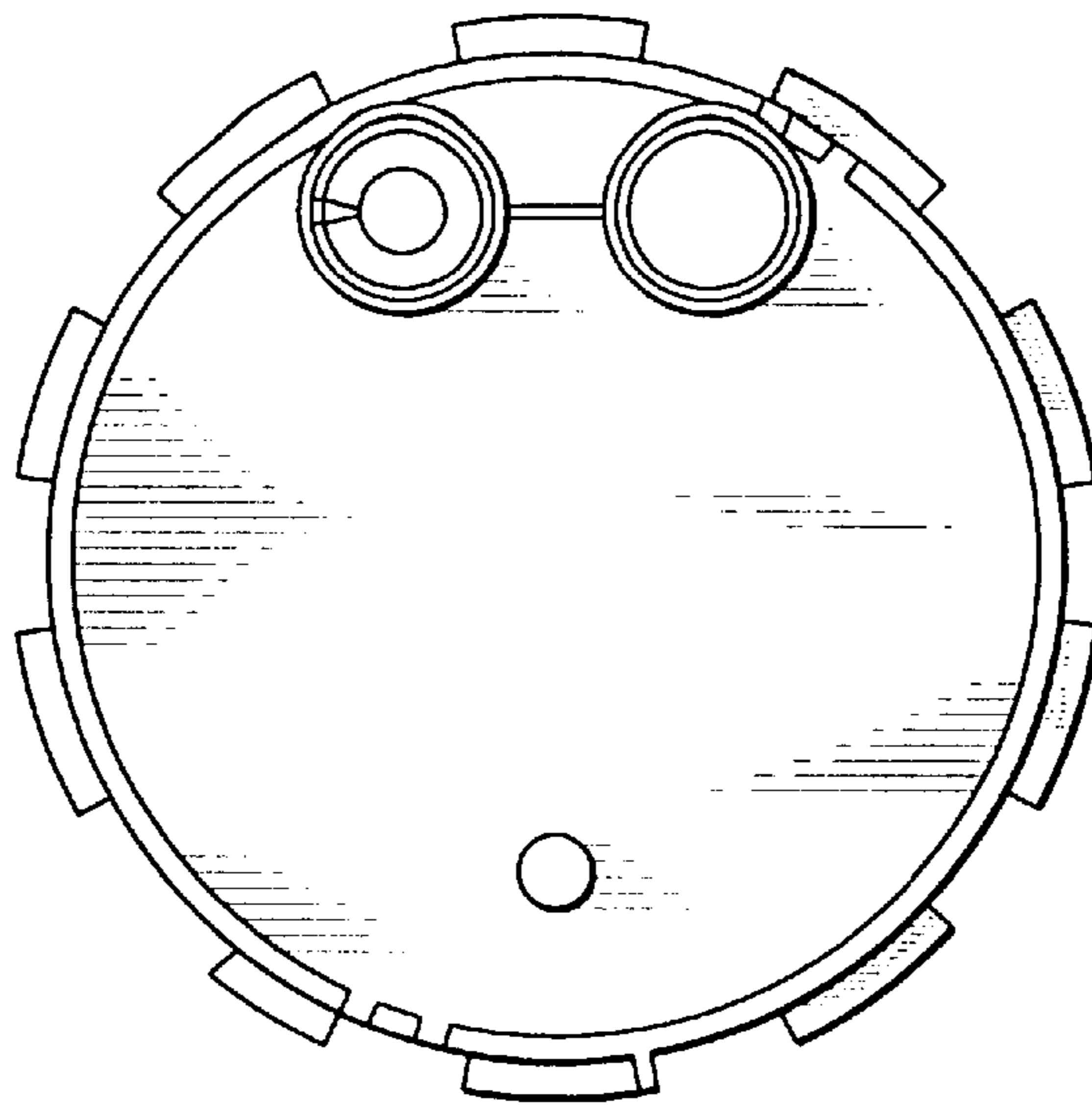


FIG. 6

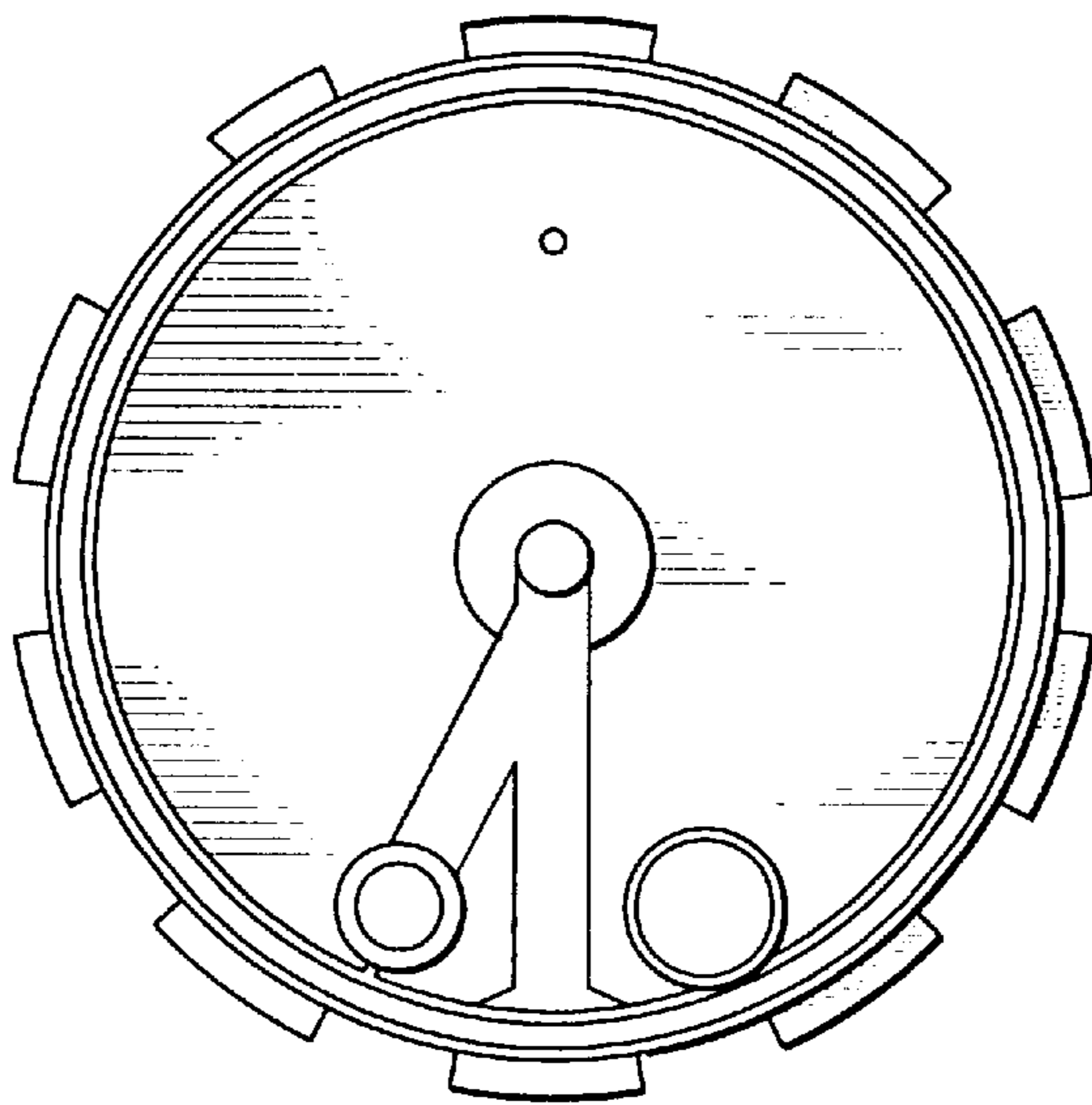


FIG. 7

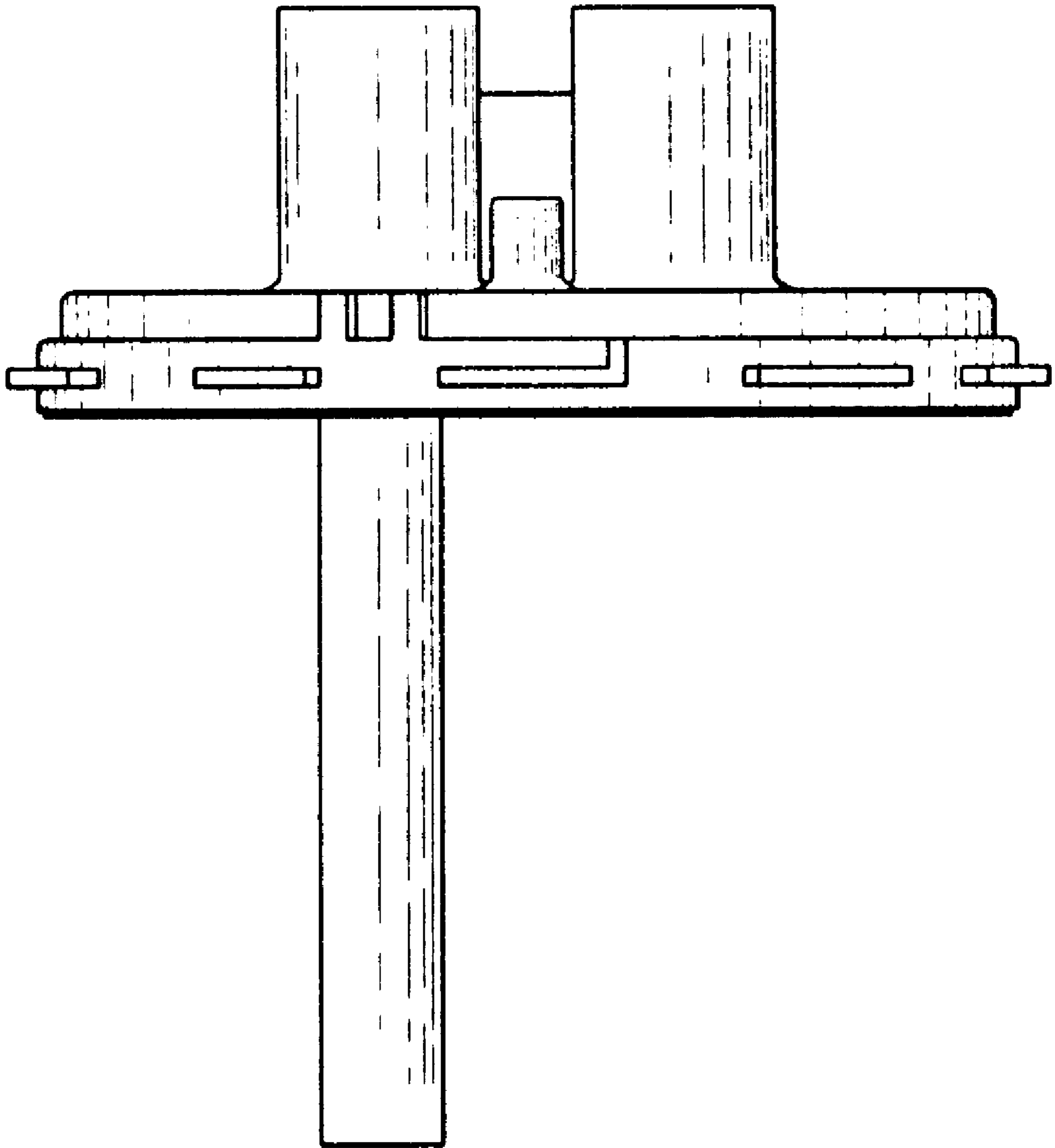


FIG. 8