



US00D410526S

United States Patent [19] Lobermeier

[11] **Patent Number: Des. 410,526**

[45] **Date of Patent: ** Jun. 1, 1999**

[54] **BIDET FAUCET**

[75] Inventor: **Hans Lobermeier**, Menden, Germany

[73] Assignee: **Friedrich Grohe AG**, Hemer, Germany

[**] Term: **14 Years**

[21] Appl. No.: **29/093,708**

[22] Filed: **Sep. 17, 1998**

[30] **Foreign Application Priority Data**

Apr. 16, 1998 [DE] Germany M9803680

[51] **LOC (6) Cl.** **23-01**

[52] **U.S. Cl.** **D23/238**

[58] **Field of Search** D23/238-243,
D23/250-257; 4/675-678; 137/801

[56] **References Cited**

U.S. PATENT DOCUMENTS

D. 297,257 8/1988 Kohler, Jr. et al. D23/252

D. 324,725 3/1992 Lang et al. D23/252

D. 339,852 9/1993 Jans D23/252

D. 362,139 9/1995 Brunner et al. D6/479

D. 366,519 1/1996 Lobermeier D23/252

D. 397,769 9/1998 Lobermeier D23/238

Primary Examiner—Louis S. Zarfes
Assistant Examiner—Eric Watterson
Attorney, Agent, or Firm—Herbert Dubno

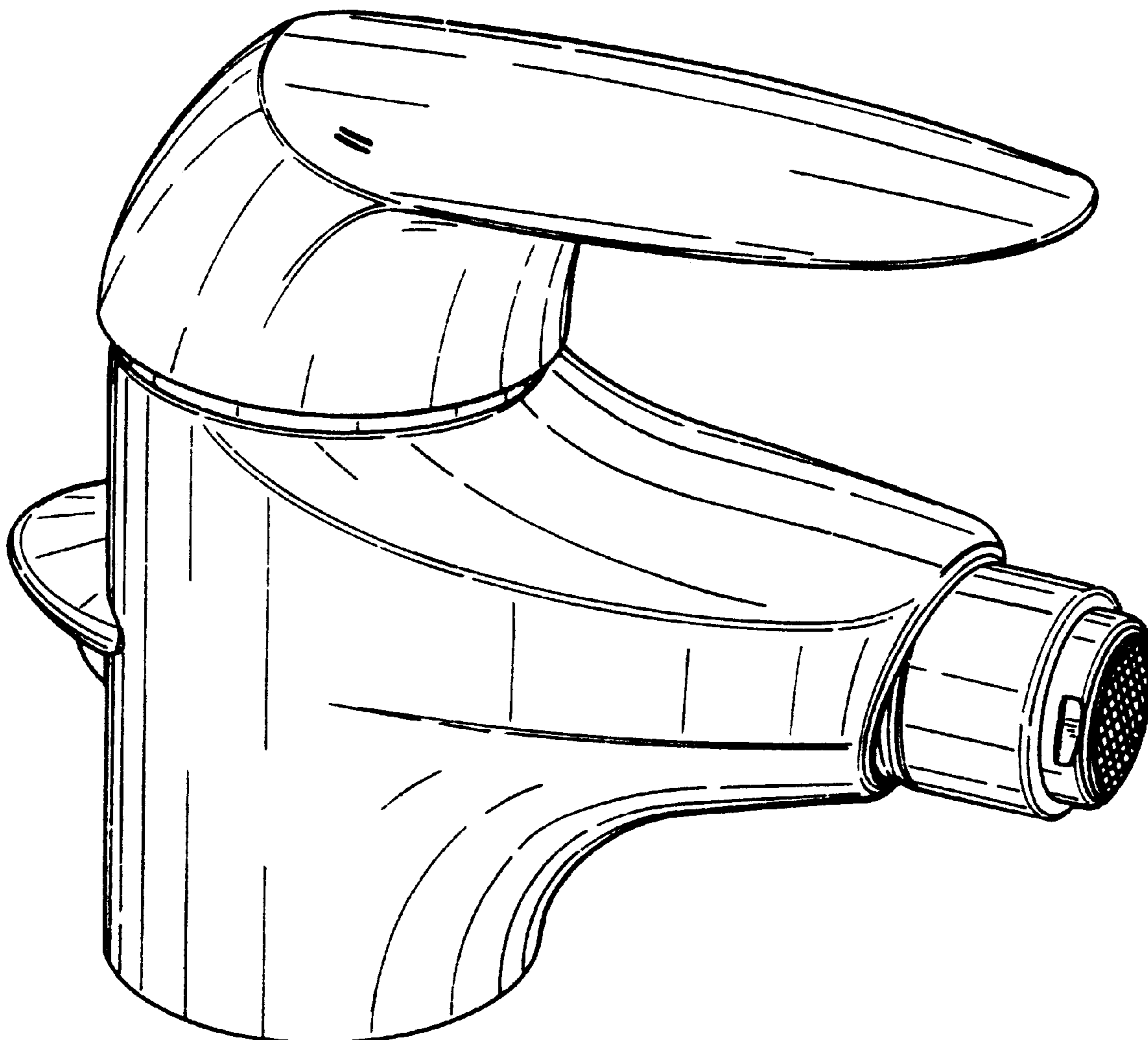
[57] **CLAIM**

The ornamental design for a bidet faucet, as shown and described.

DESCRIPTION

FIG. 1 is a top, front, left-side elevational view of a bidet faucet showing my new design;
FIG. 2 is a top view thereof;
FIG. 3 is a left side elevational view thereof, the right side elevational view being mirror symmetrical thereto;
FIG. 4 is a bottom view thereof;
FIG. 5 is a front view thereof; and,
FIG. 6 is a rear view thereof.

1 Claim, 3 Drawing Sheets



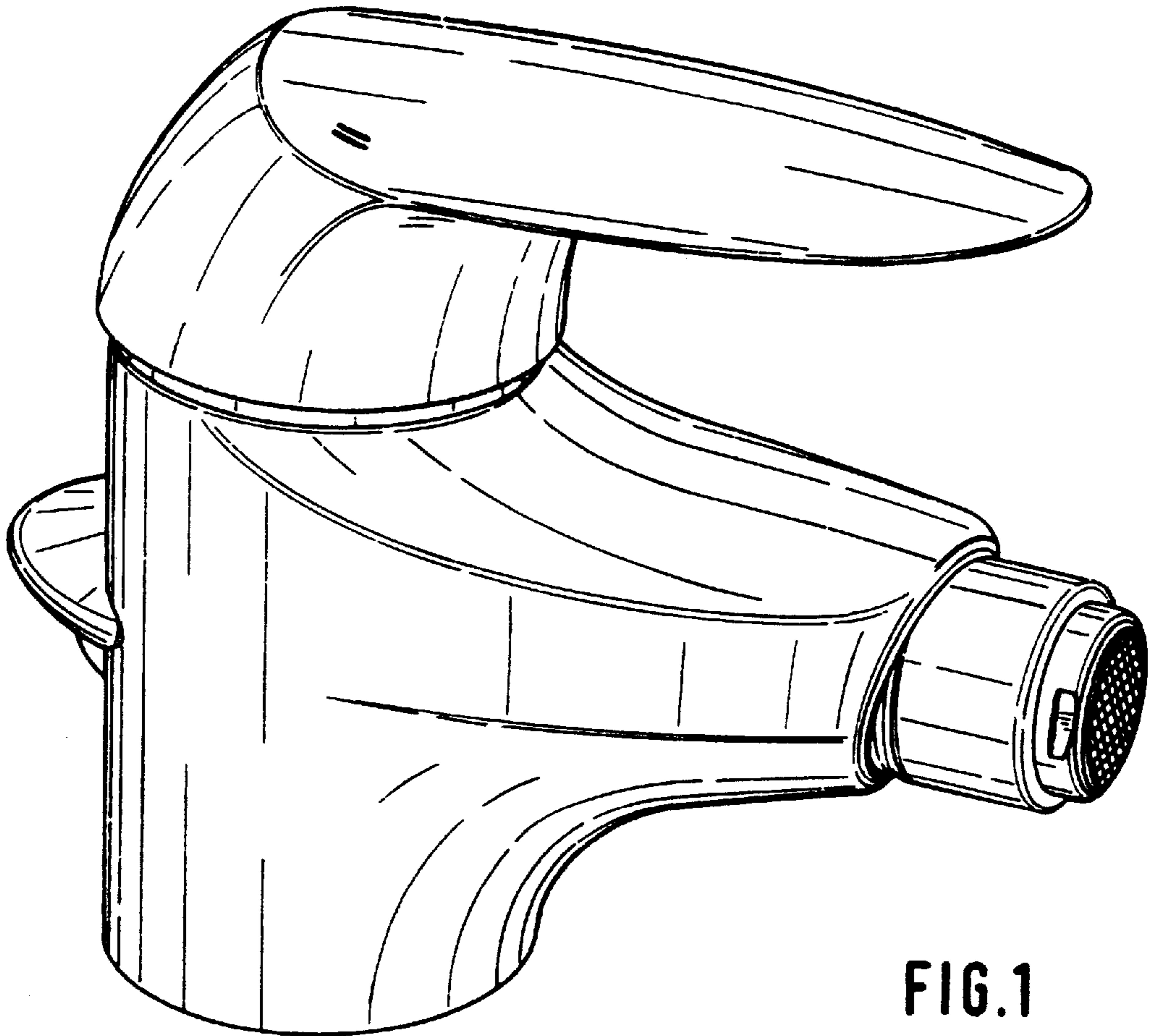


FIG. 1

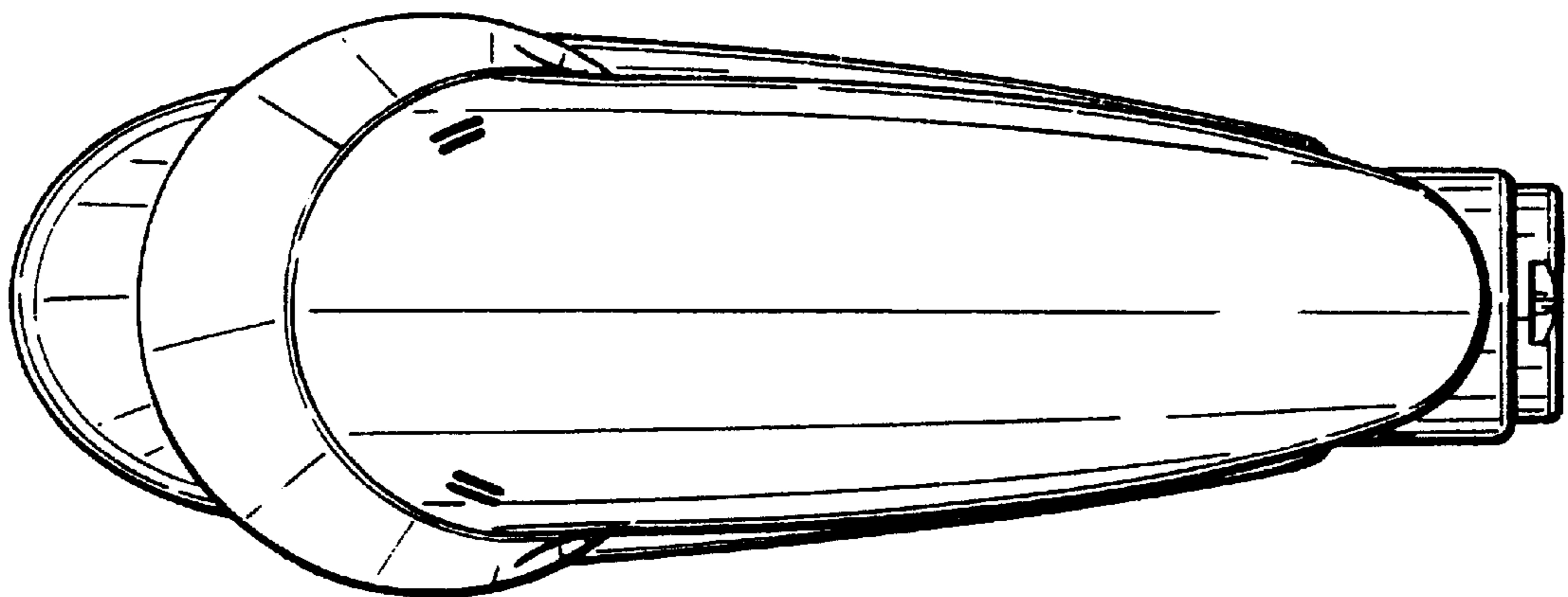


FIG. 2

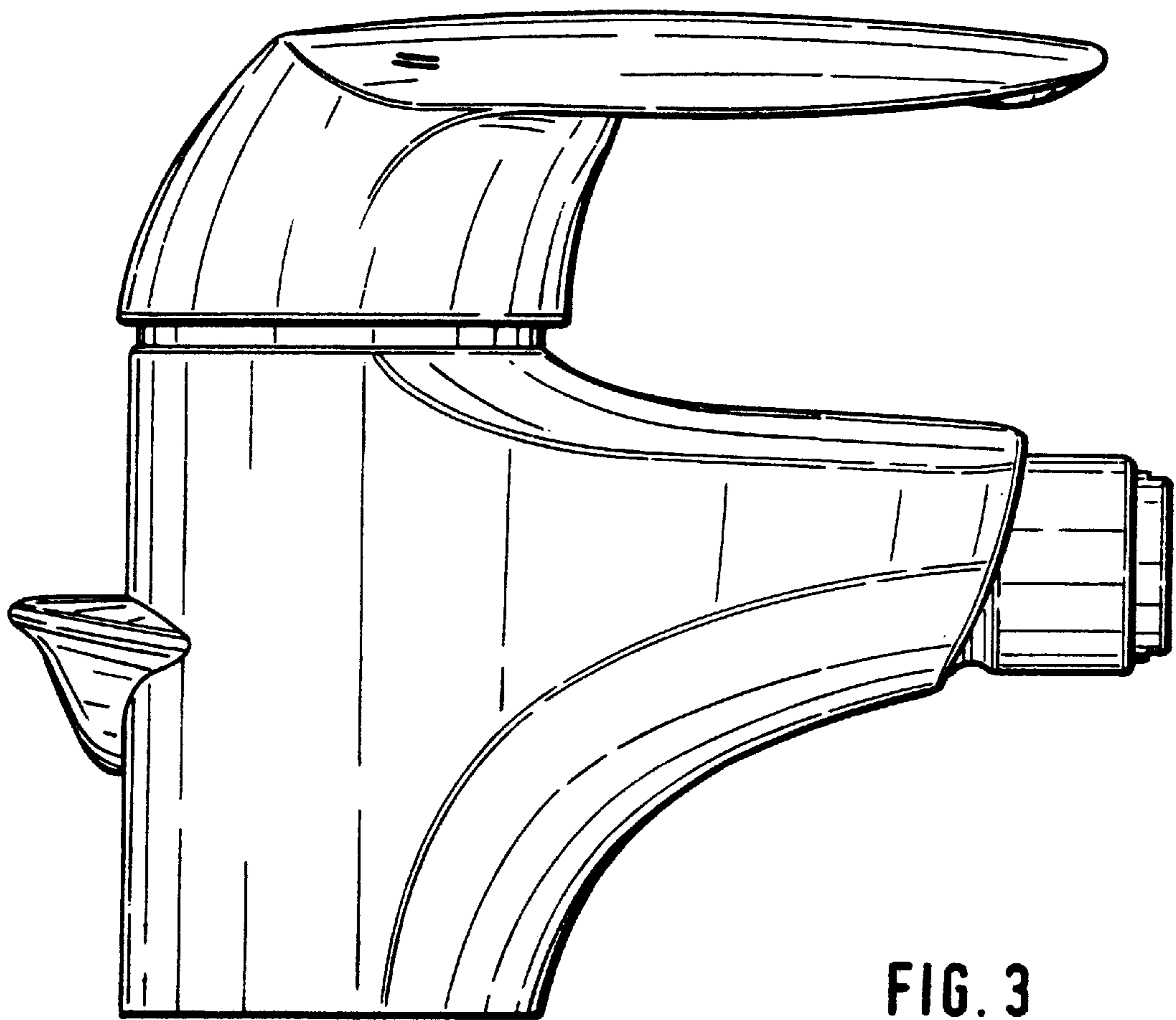


FIG. 3

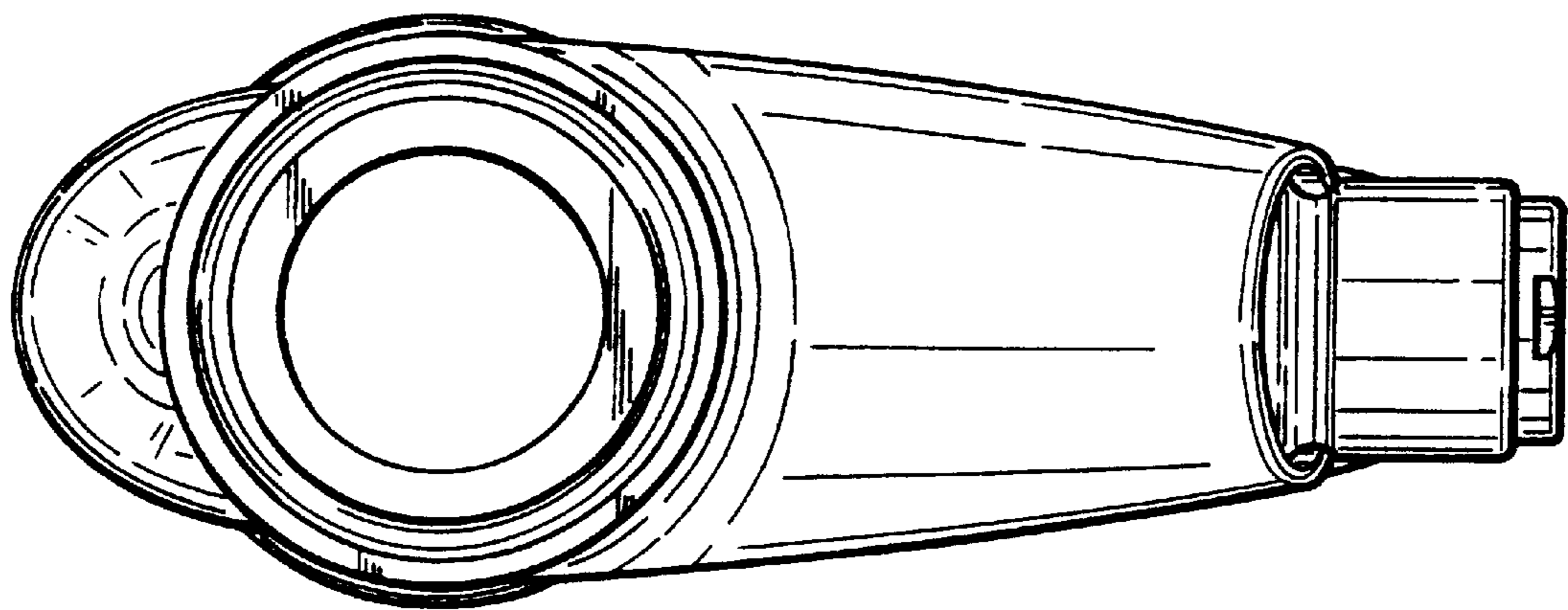


FIG. 4

FIG. 5

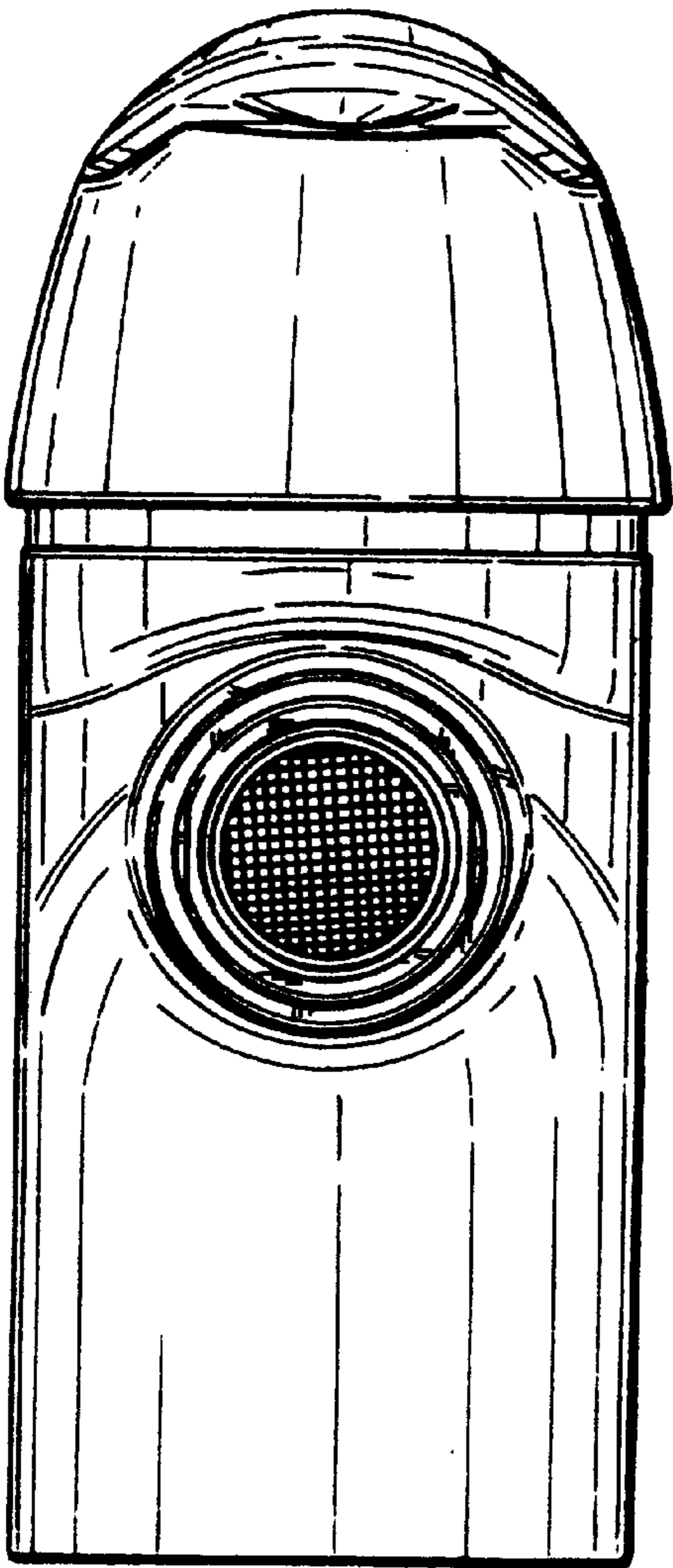


FIG. 6

