



US00D410525S

# United States Patent [19]

[11] Patent Number: **Des. 410,525**

Uehara et al.

[45] Date of Patent: **\*\* Jun. 1, 1999**

[54] **PRESSURE REGULATOR**

D. 398,955	9/1998	Shimizu .....	D23/235
D. 399,922	10/1998	Uehara .....	D23/235
2,777,456	1/1957	Ey .....	137/505
5,186,209	2/1993	McManigal et al. ....	137/505.42
5,542,741	8/1996	Tomita et al. ....	137/505

[75] Inventors: **Teruo Uehara**, Ibaraki-ken; **Tohru Inohara**, Toride, both of Japan

[73] Assignee: **SMC Kabushiki Kaisha**, Tokyo, Japan

*Primary Examiner*—Alan P. Douglas  
*Assistant Examiner*—Robin V. Taylor  
*Attorney, Agent, or Firm*—Frishauf, Holtz, Goodman, Langer & Chick

[\*\*] Term: **14 Years**

[21] Appl. No.: **29/086,354**

[22] Filed: **Apr. 10, 1998**

## [57] CLAIM

### [30] Foreign Application Priority Data

Oct. 20, 1997 [JP] Japan ..... 9-72063

The ornamental design for pressure regulator, as shown and described.

[51] **LOC (6) Cl.** ..... **23-01**

## DESCRIPTION

[52] **U.S. Cl.** ..... **D23/235**

FIG. 1 is a top and front perspective view of pressure regulator, showing our new design;  
FIG. 2 is a top plan view thereof;  
FIG. 3 is a front view thereof;  
FIG. 4 is a right side view thereof, the left side view being a mirror image of the right side view shown;  
FIG. 5 is a rear view thereof; and,  
FIG. 6 is a bottom plan view thereof.

[58] **Field of Search** ..... D23/233–237,  
D23/244–245; 137/505, 505.42, 116.3

### [56] References Cited

#### U.S. PATENT DOCUMENTS

D. 301,917	6/1989	Ogasawara .....	D23/235
D. 317,494	6/1991	Miyake et al. ....	D23/235

**1 Claim, 3 Drawing Sheets**

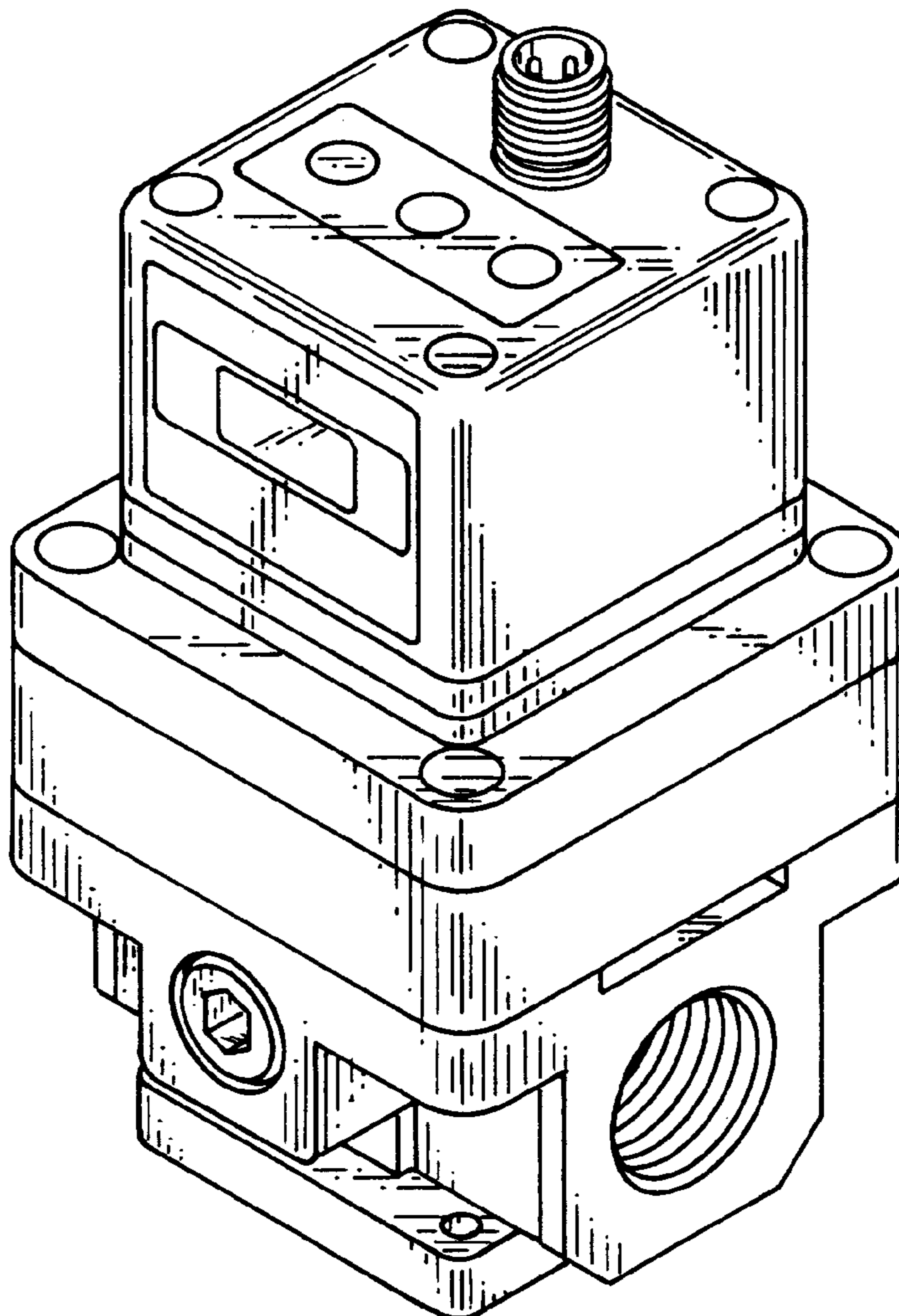


FIG. 1

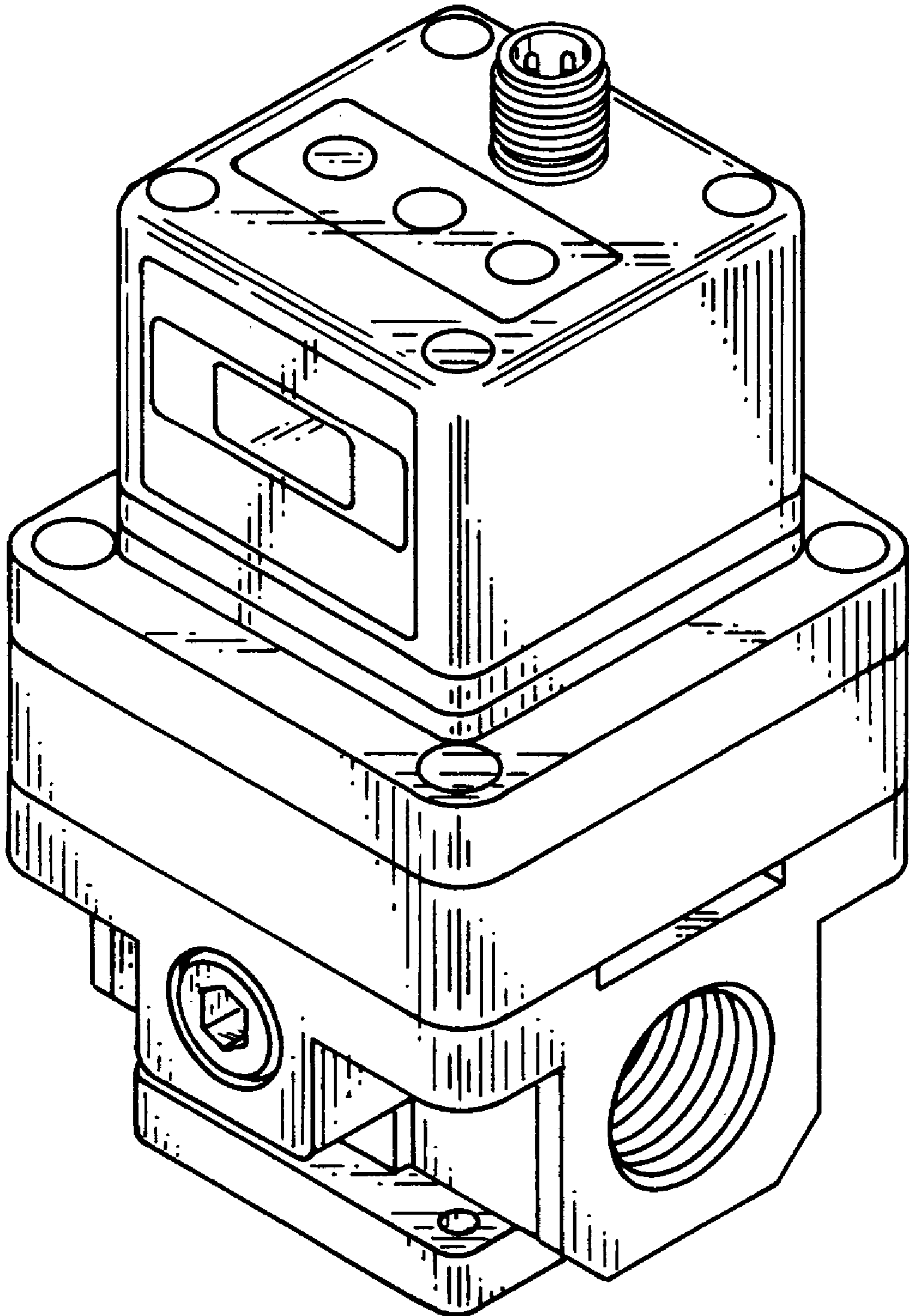


FIG. 2

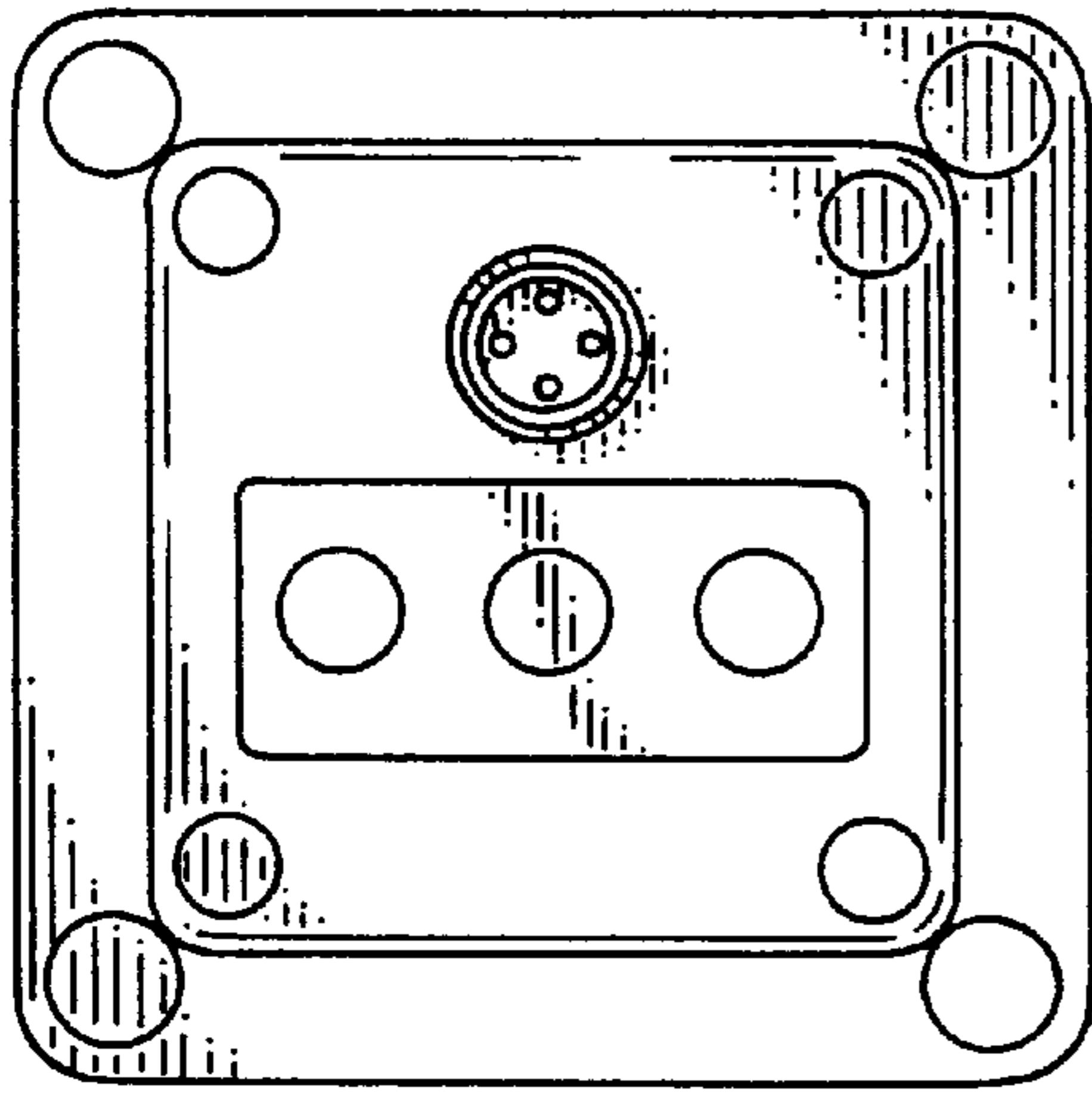


FIG. 3

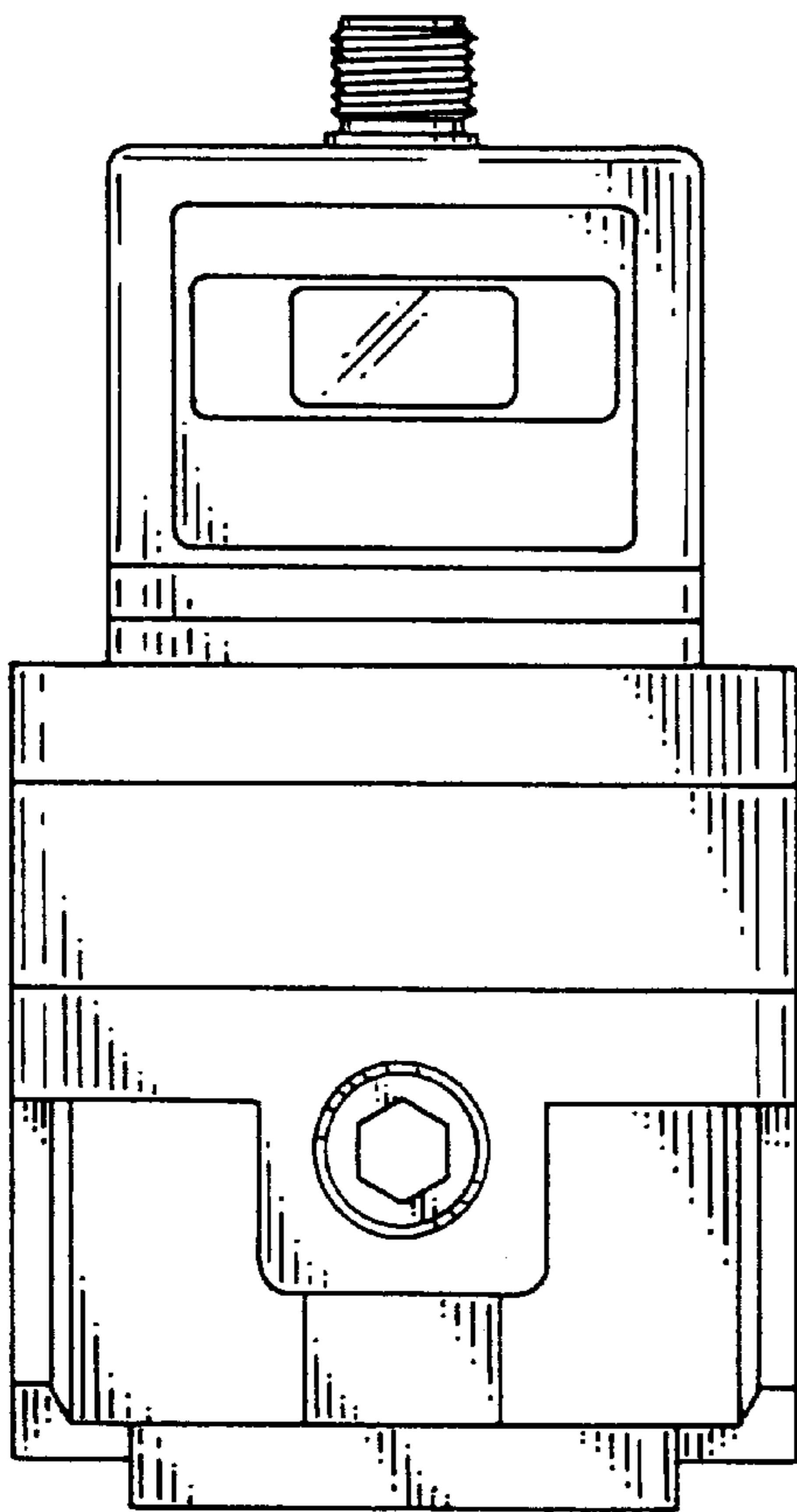


FIG. 4

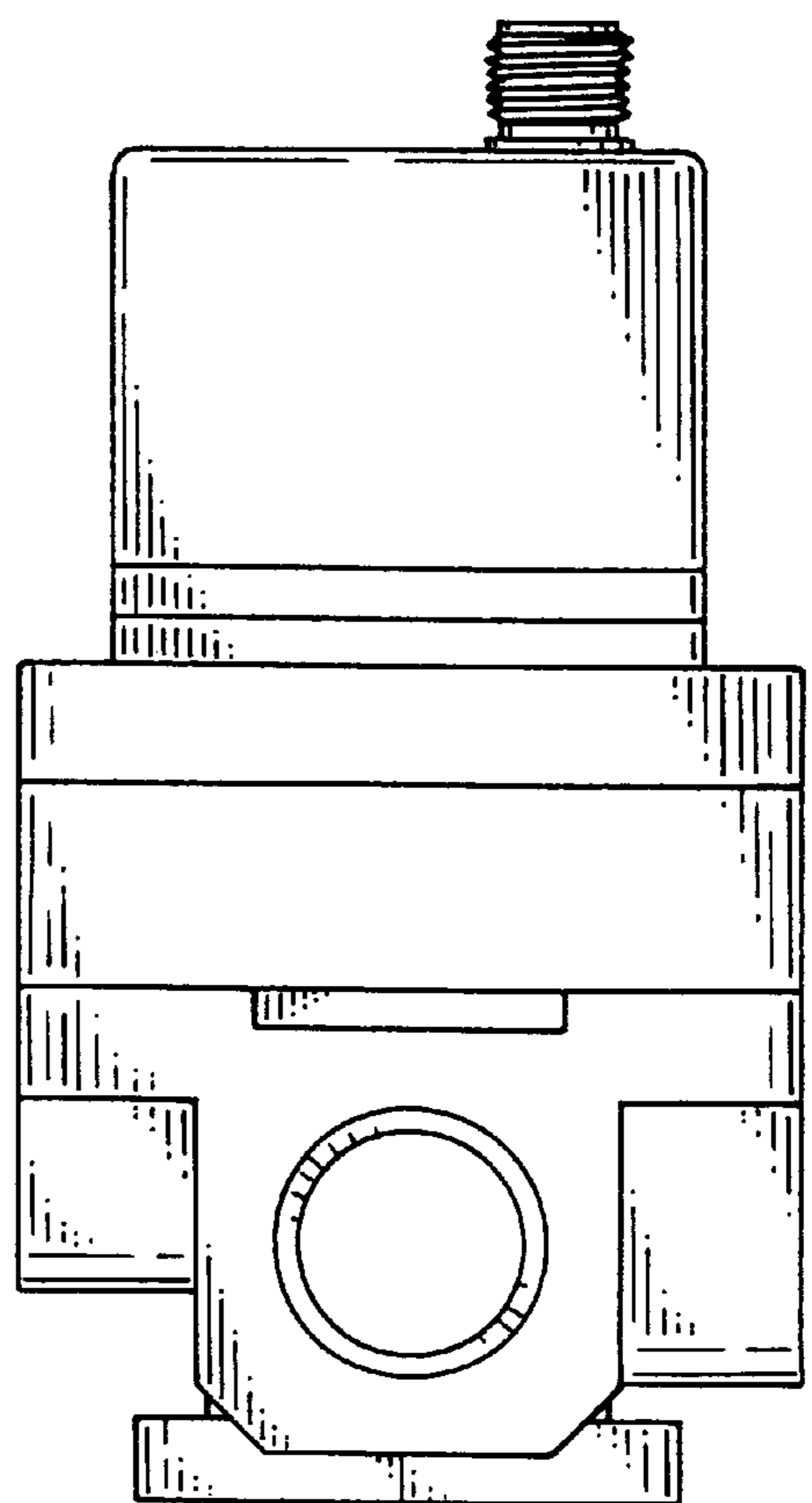


FIG. 5

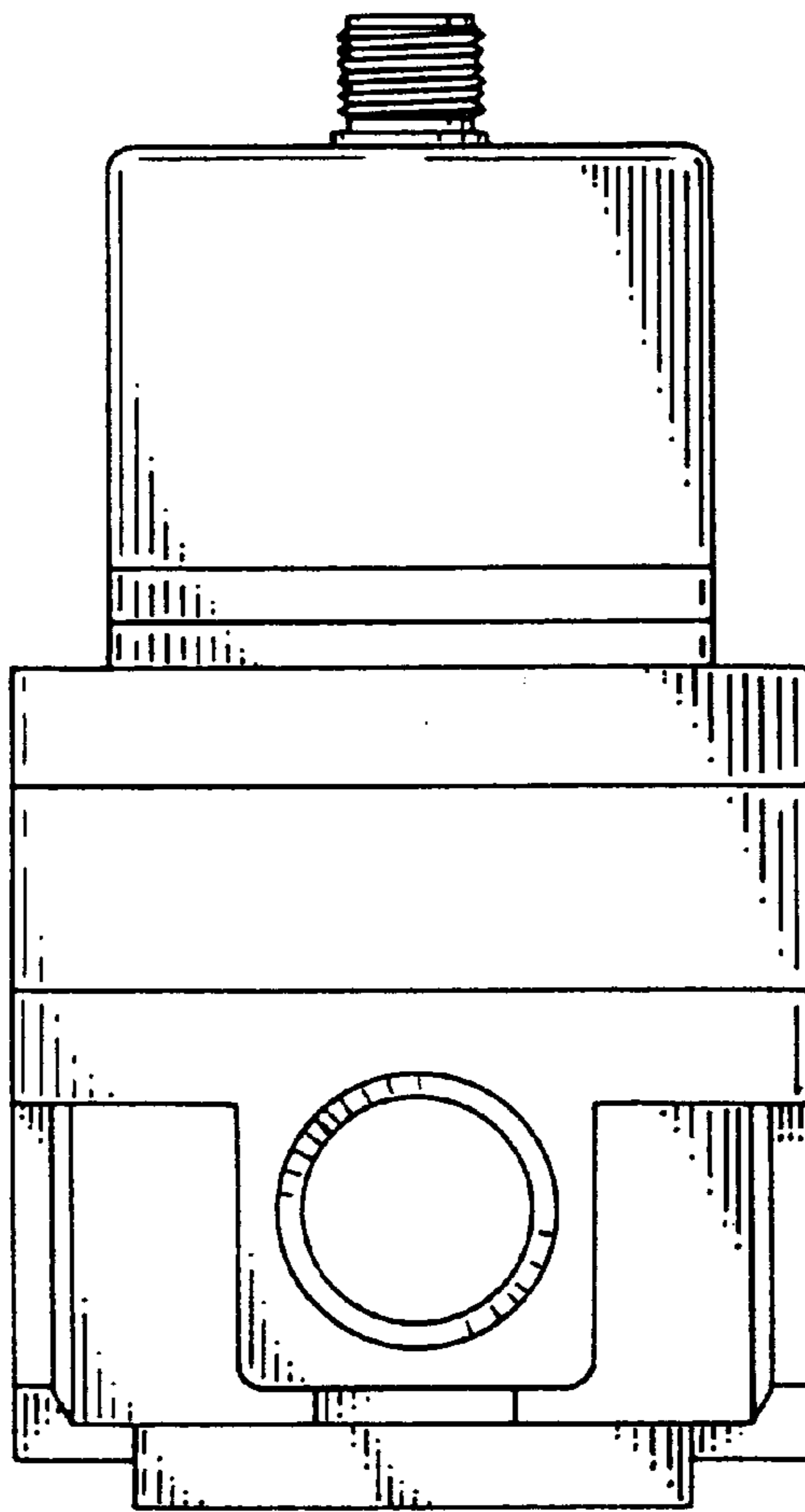


FIG. 6

