



US00D410522S

United States Patent [19]

Hayashi et al.

[11] **Patent Number: Des. 410,522**

[45] **Date of Patent: ** *Jun. 1, 1999**

[54] **ELECTROMAGNETIC VALVE**

[75] Inventors: **Bunya Hayashi; Masaru Narita**, both of Yawara-mura, Japan

[73] Assignee: **SMC Corporation**, Tokyo, Japan

[*] Notice: This patent is subject to a terminal disclaimer.

[**] Term: **14 Years**

[21] Appl. No.: **29/058,727**

[22] Filed: **Aug. 21, 1996**

[30] **Foreign Application Priority Data**

Feb. 21, 1996 [JP] Japan 8-4355

[51] **LOC (6) Cl.** **23-01**

[52] **U.S. Cl.** **D23/233**

[58] **Field of Search** D23/233, 247, D23/248; D15/7; 137/269, 271, 884

[56] **References Cited**

U.S. PATENT DOCUMENTS

- D. 295,050 4/1988 Kanno D15/7
- D. 335,172 4/1993 Tamaki D23/248
- D. 338,258 8/1993 Tamaki D23/248
- 4,402,651 9/1983 Ise 137/271 X
- 5,333,647 8/1994 Fukano et al. 137/884

- 5,459,953 10/1995 Fukano et al. 137/884 X
- 5,462,087 10/1995 Fukano et al. 137/884
- 5,529,088 6/1996 Asou 132/217 X

OTHER PUBLICATIONS

CENS Taiwan Hardware Aug. 1995; p. 128—valves indicated by arrows.

Primary Examiner—Ted Shooman
Assistant Examiner—C. Tuttle
Attorney, Agent, or Firm—Oblon, Spivak, McClelland, Maier & Neustadt, P.C.

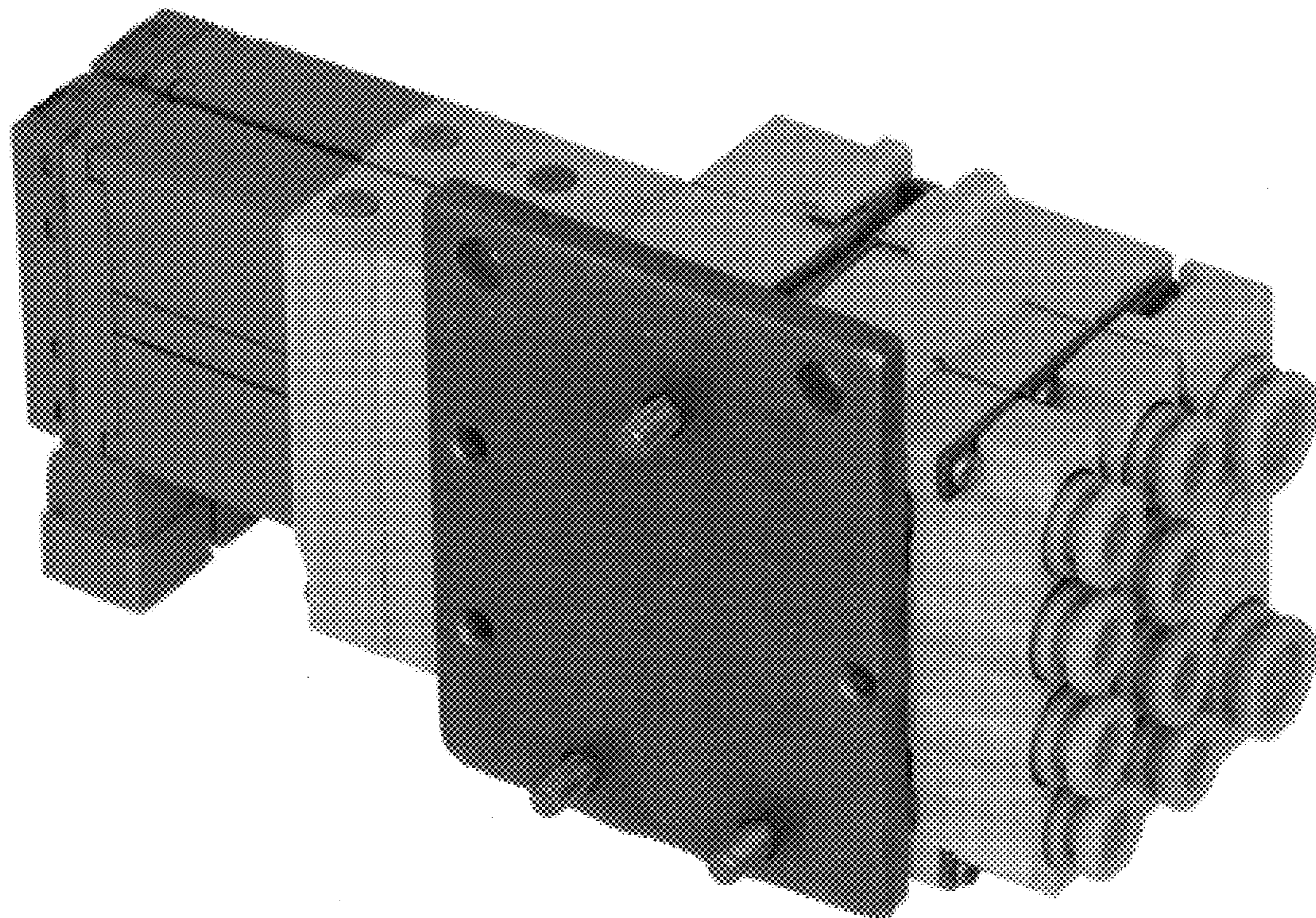
[57] **CLAIM**

The ornamental design for an electromagnetic valve, as shown.

DESCRIPTION

FIG. 1 is a top, front, and left side perspective view of electromagnetic valve showing our new design; FIG. 2 is a bottom, rear and right side perspective view thereof; FIG. 3 is a front elevational view thereof; FIG. 4 is a rear elevational view thereof; FIG. 5 is a right side view thereof; FIG. 6 is a left side view thereof; FIG. 7 is a top plan view thereof; and, FIG. 8 is a bottom plan view thereof.

1 Claim, 4 Drawing Sheets



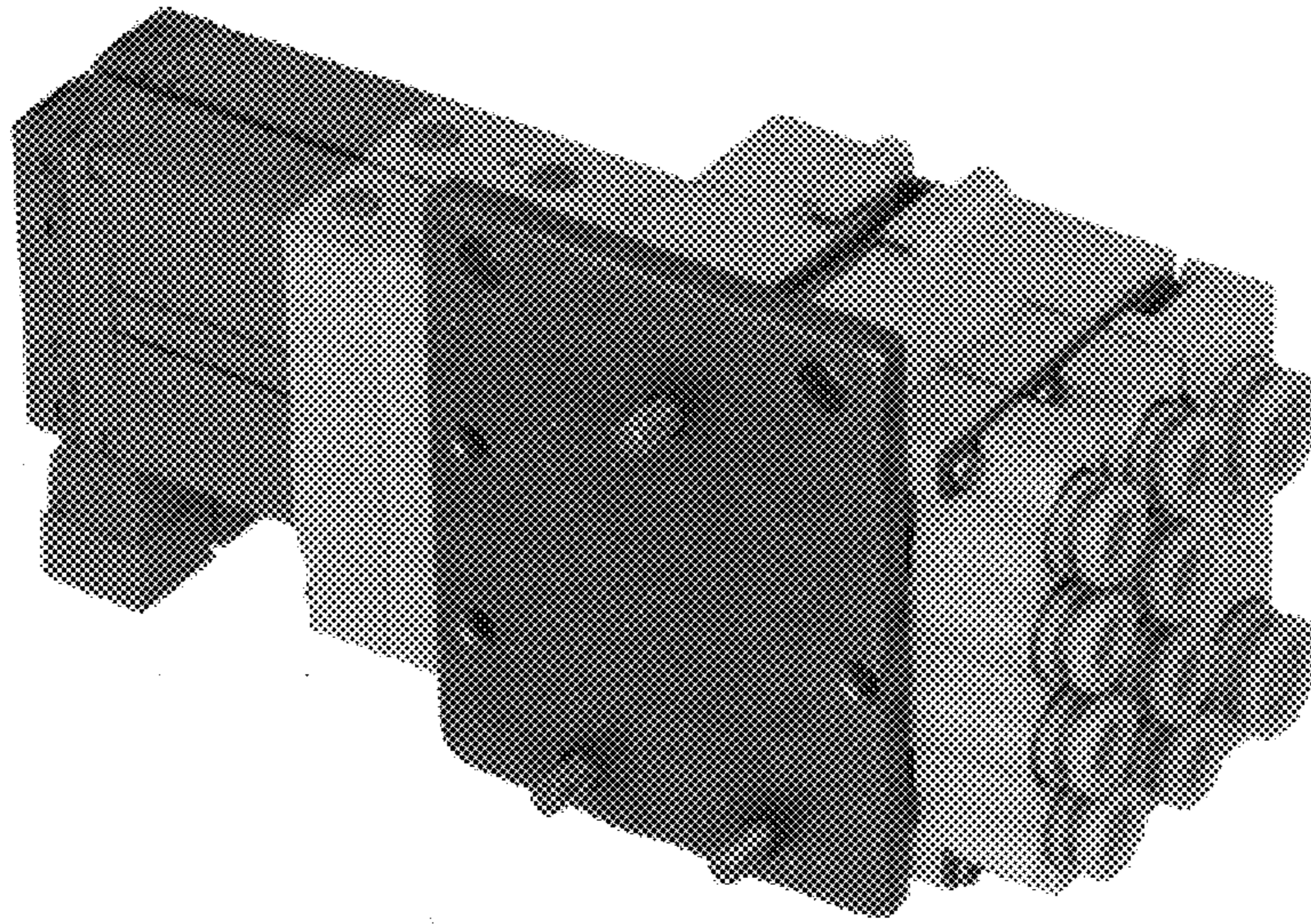


FIG. 1

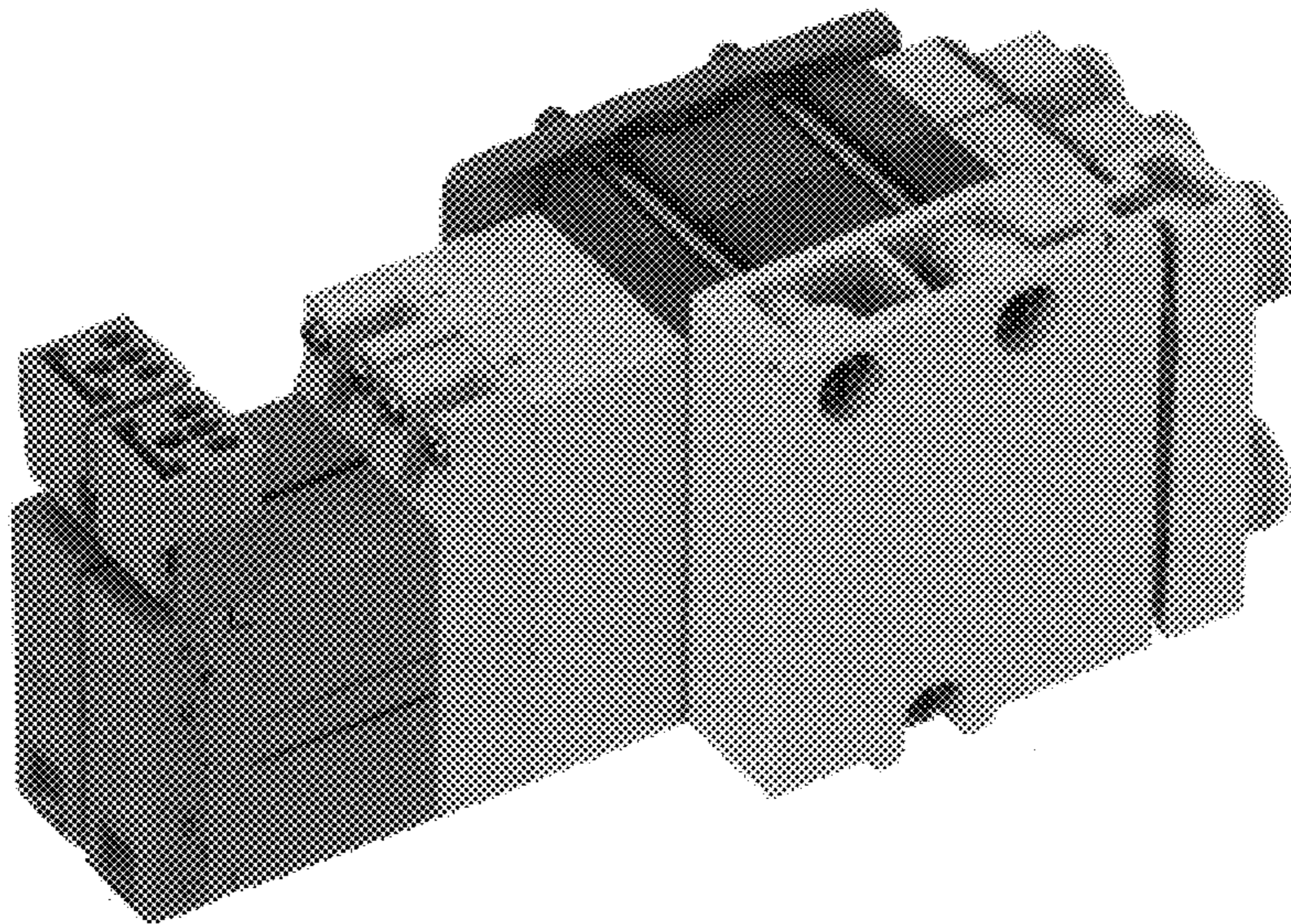


FIG. 2

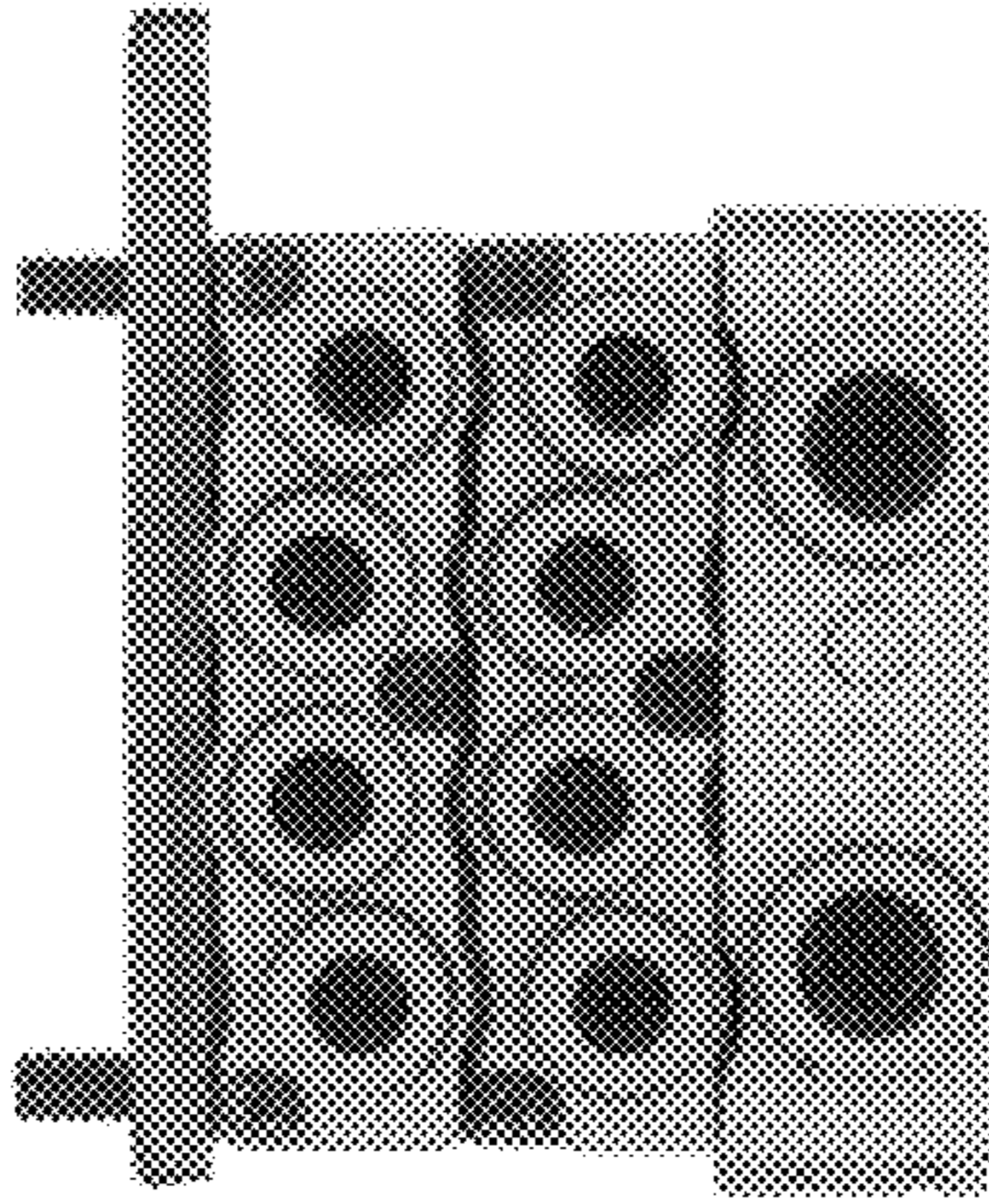


FIG. 3

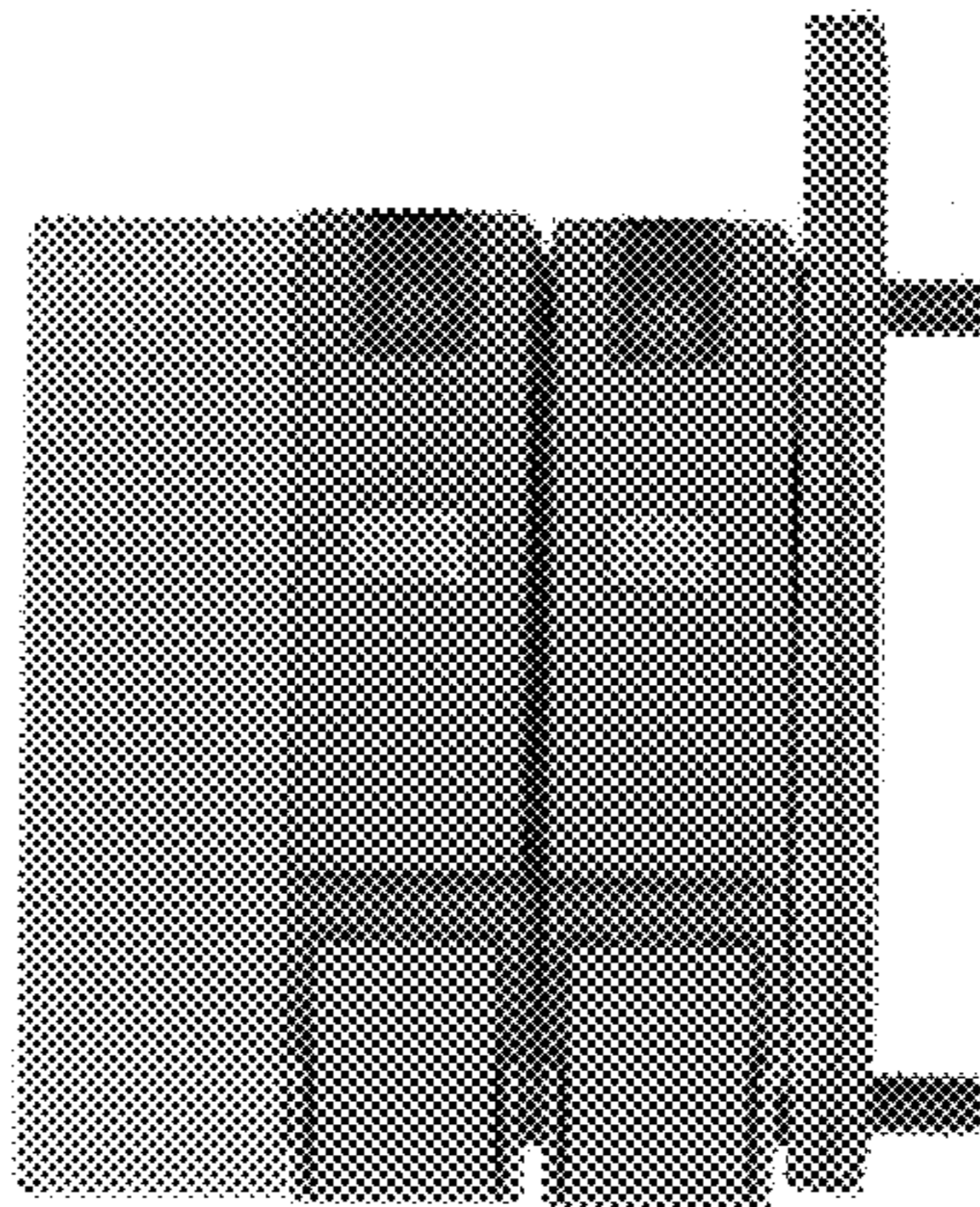


FIG. 4

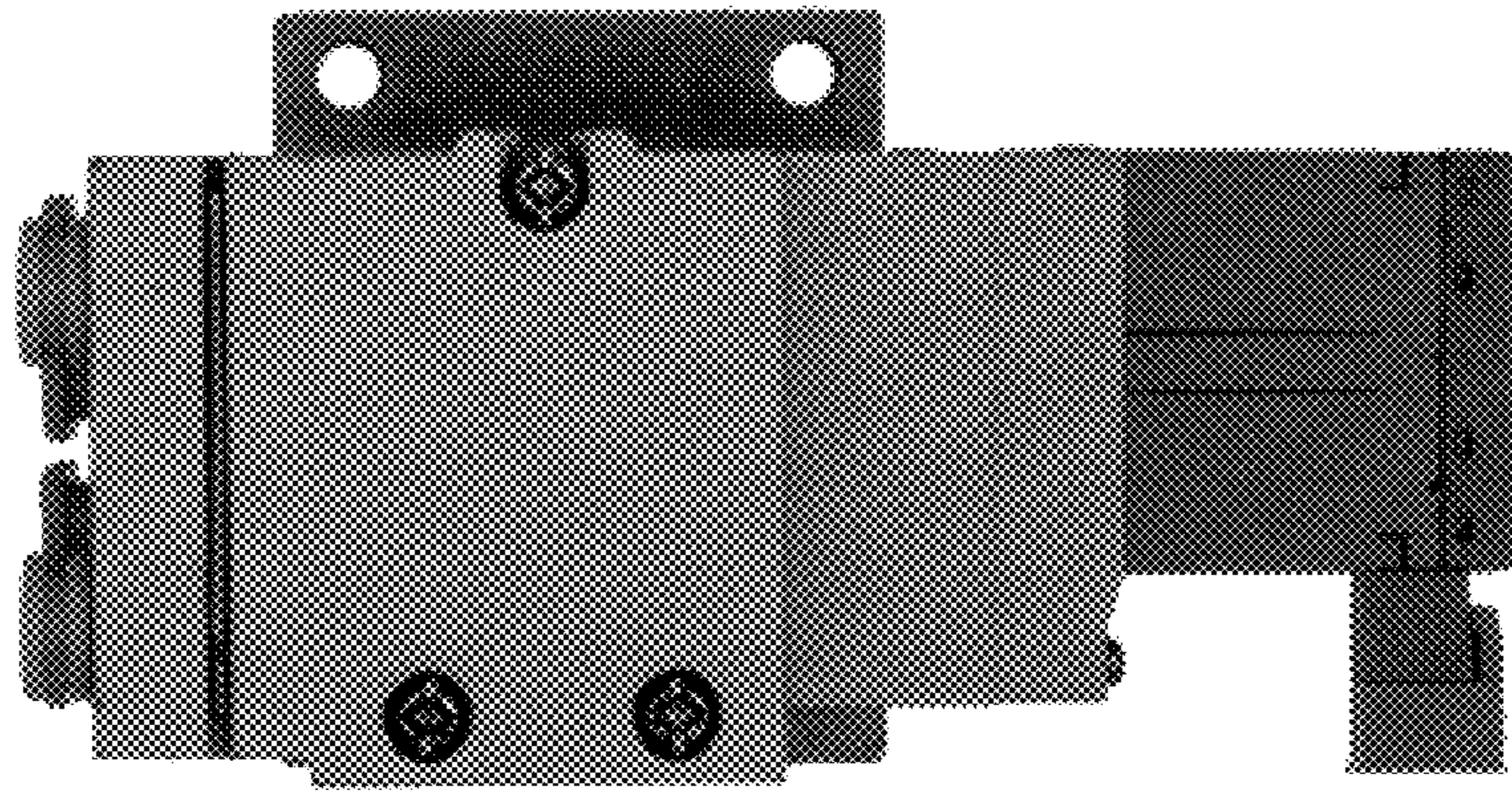


FIG. 5

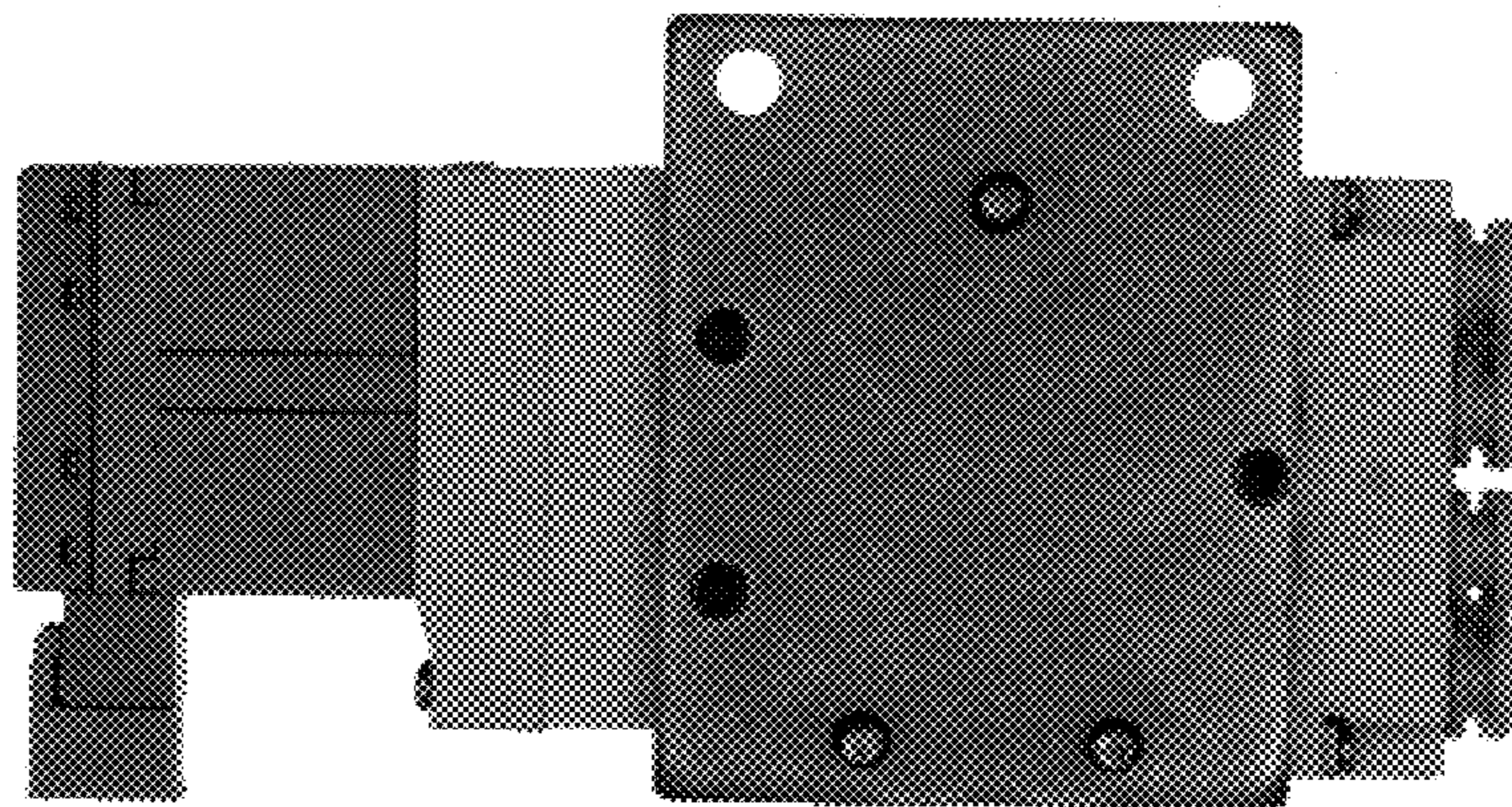


FIG. 6

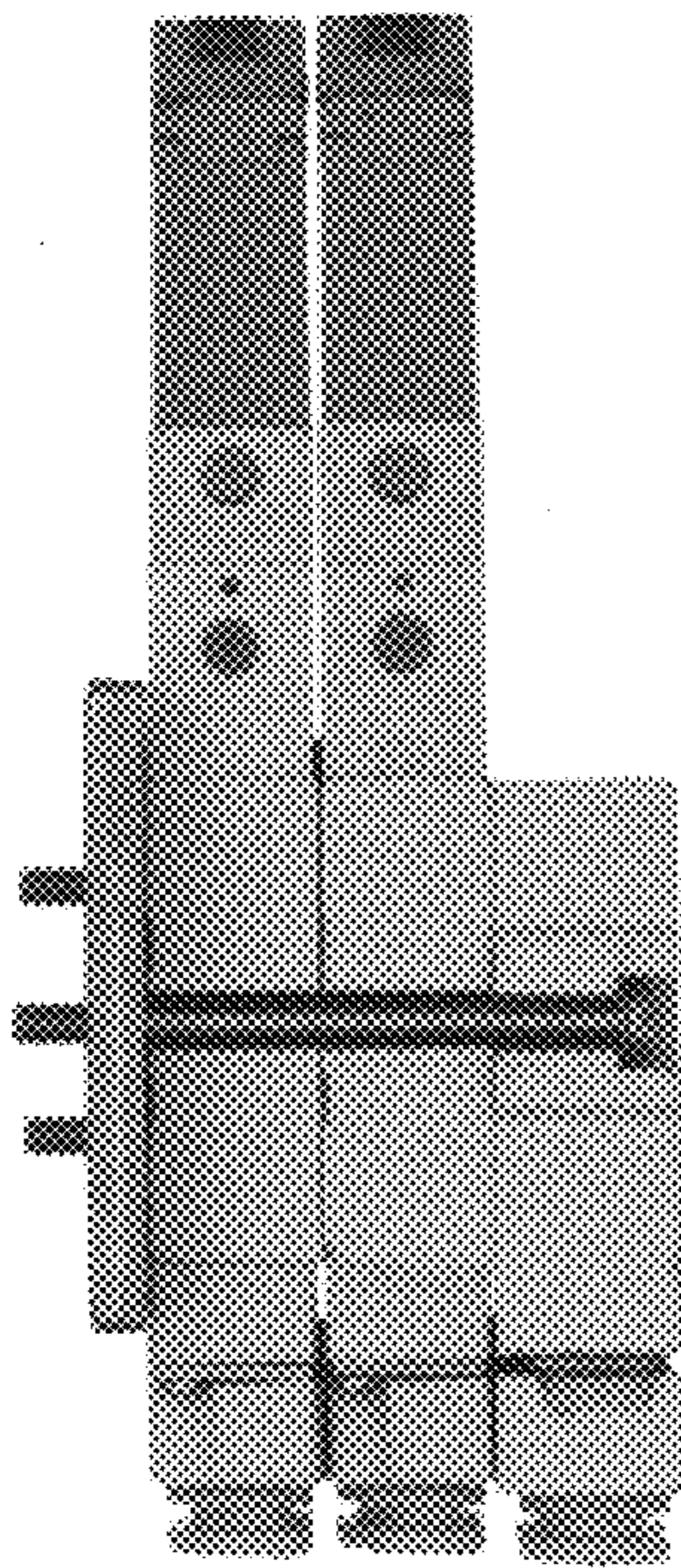


FIG. 7

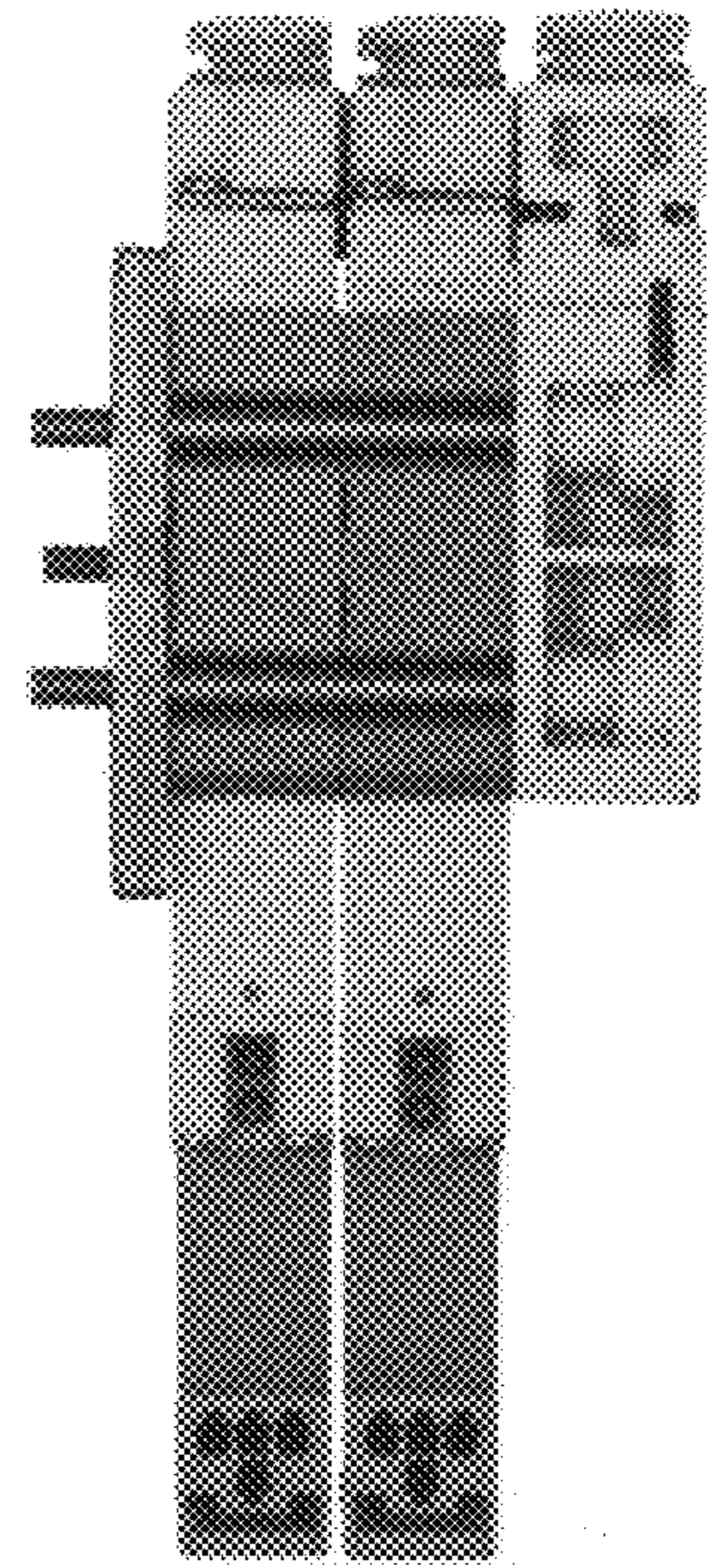


FIG. 8