



US00D410521S

United States Patent [19]

Hayashi et al.

[11] Patent Number: **Des. 410,521**

[45] Date of Patent: **** Jun. 1, 1999**

[54] ELECTROMAGNETIC VALVE

[75] Inventors: **Bunya Hayashi; Masaru Narita**, both of Yawara-mura, Japan

[73] Assignee: **SMC Corporation**, Tokyo, Japan

[**] Term: **14 Years**

[21] Appl. No.: **29/057,753**

[22] Filed: **Jul. 31, 1996**

[30] Foreign Application Priority Data

Feb. 9, 1996 [JP] Japan 8-3242

[51] LOC (6) Cl. **23-01**

[52] U.S. Cl. **D23/233**

[58] Field of Search D23/233; D15/7; 137/269, 271, 884

[56] References Cited

U.S. PATENT DOCUMENTS

D. 295,180	4/1988	Kanno	D15/7
D. 335,172	4/1993	Tamaki	D23/248
3,215,158	11/1965	Bass, Jr. et al.	137/269
5,333,647	8/1994	Fukano et al.	137/271 X
5,459,953	10/1995	Fukano et al.	137/884 X
5,462,087	10/1995	Fukano et al.	137/884

FOREIGN PATENT DOCUMENTS

163579	6/1990	Japan	137/884
6313488	11/1994	Japan	137/884

OTHER PUBLICATIONS

Cens Taiwan Hardware Aug. 1995; p. 128: Valves Indicated by arrows.

Primary Examiner—Ted Shooman

Assistant Examiner—C. Tuttle

Attorney, Agent, or Firm—Oblon, Spivak, McClelland, Maier & Neustadt, P.C.

[57] CLAIM

The ornamental design for an electromagnetic valve, as shown.

DESCRIPTION

FIG. 1 is a top, front and left side perspective view of an electromagnetic valve showing our new design;

FIG. 2 is a bottom, rear and right side perspective view thereof;

FIG. 3 is a front elevational view thereof;

FIG. 4 is a rear elevational view thereof;

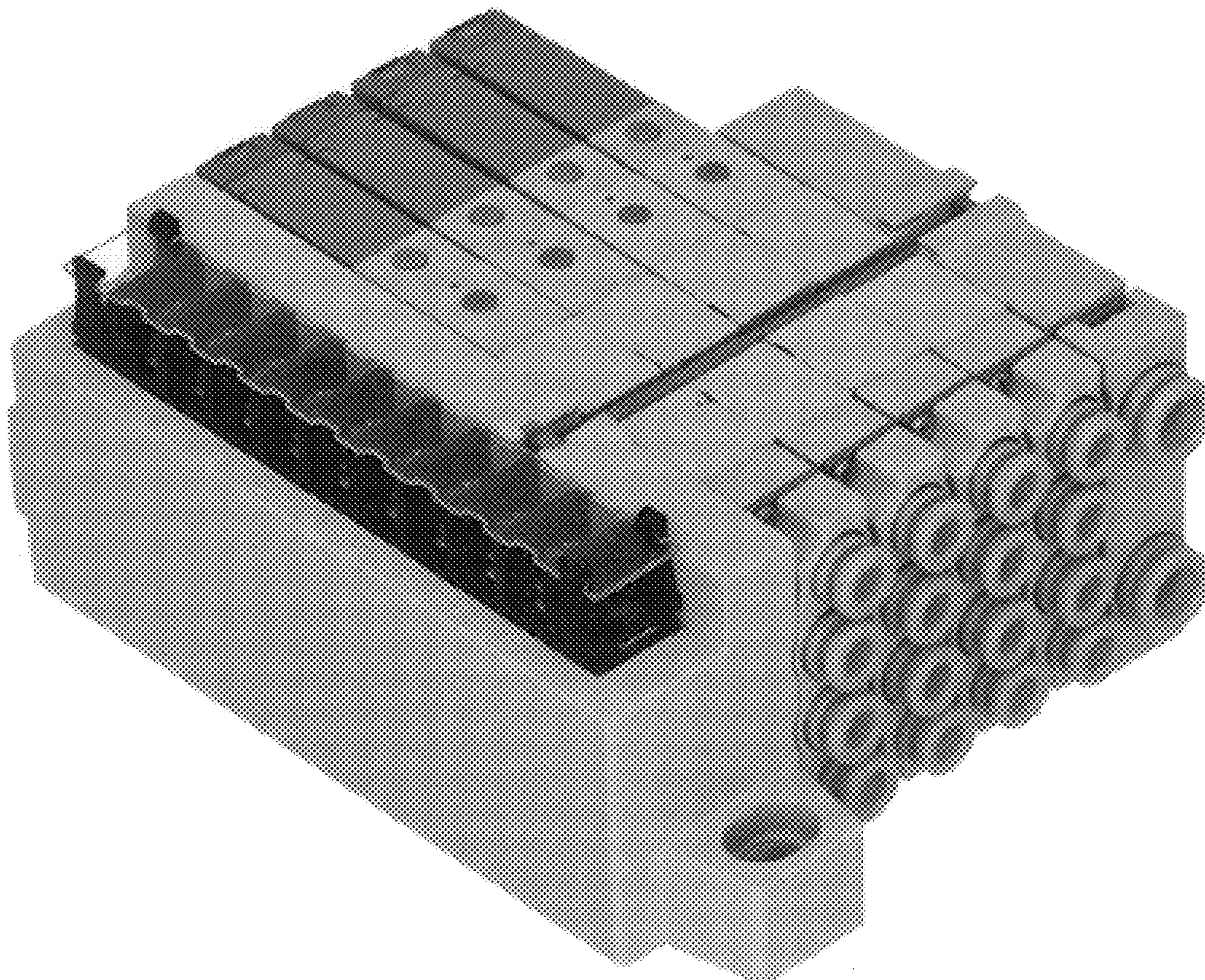
FIG. 5 is a left side view thereof;

FIG. 6 is a right side view thereof;

FIG. 7 is a top plan view thereof; and,

FIG. 8 is a bottom view thereof.

1 Claim, 4 Drawing Sheets



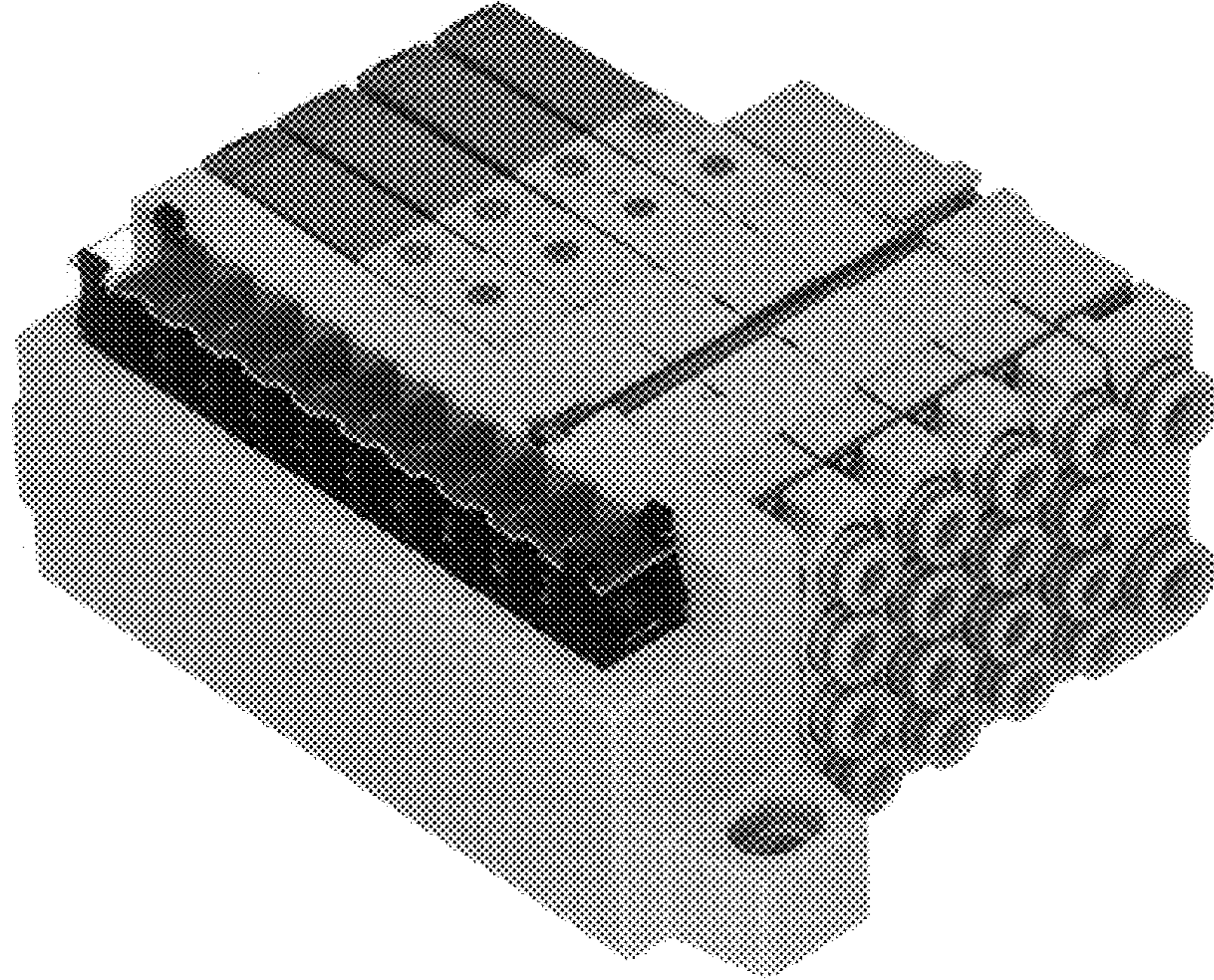


FIG. 1

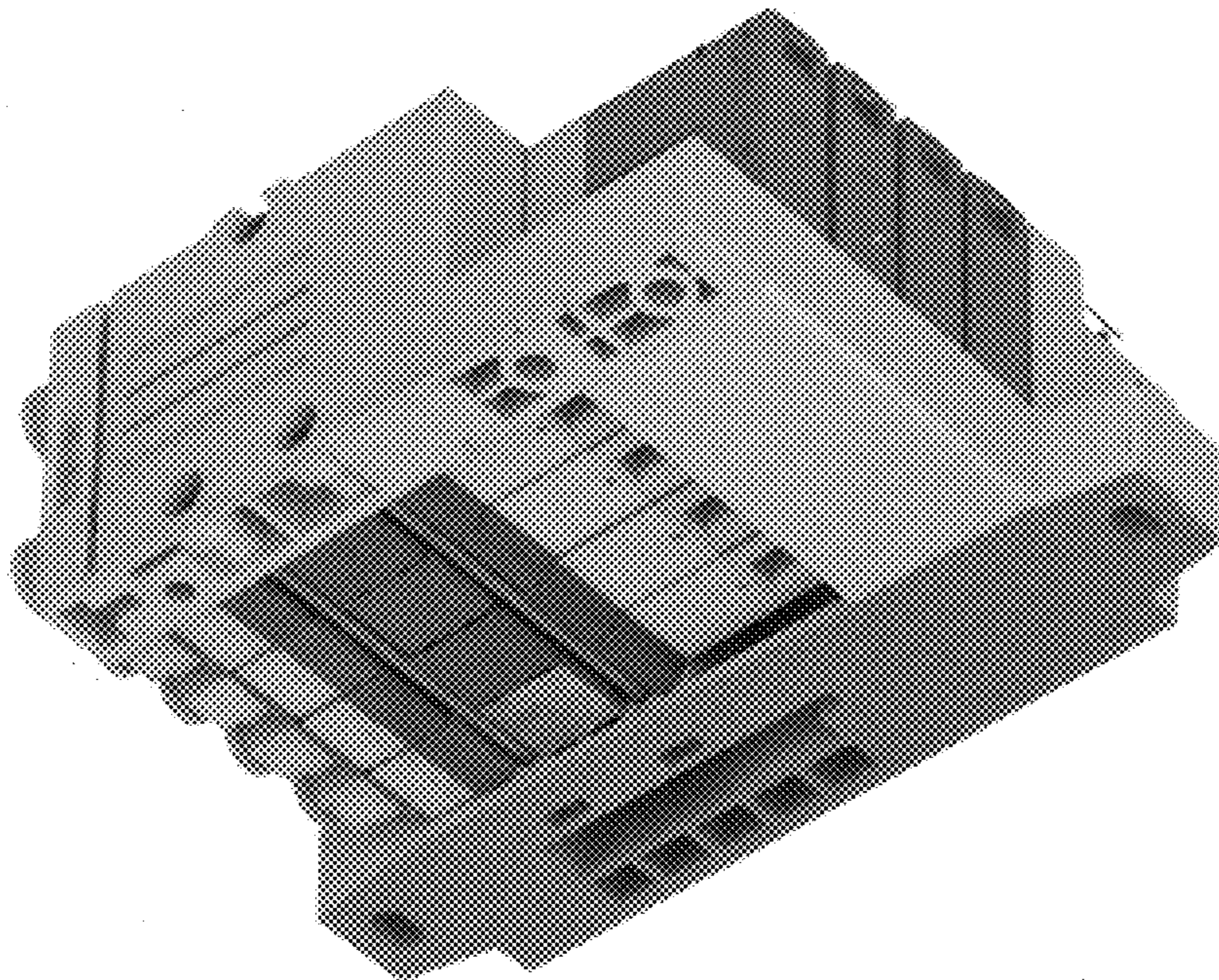


FIG. 2

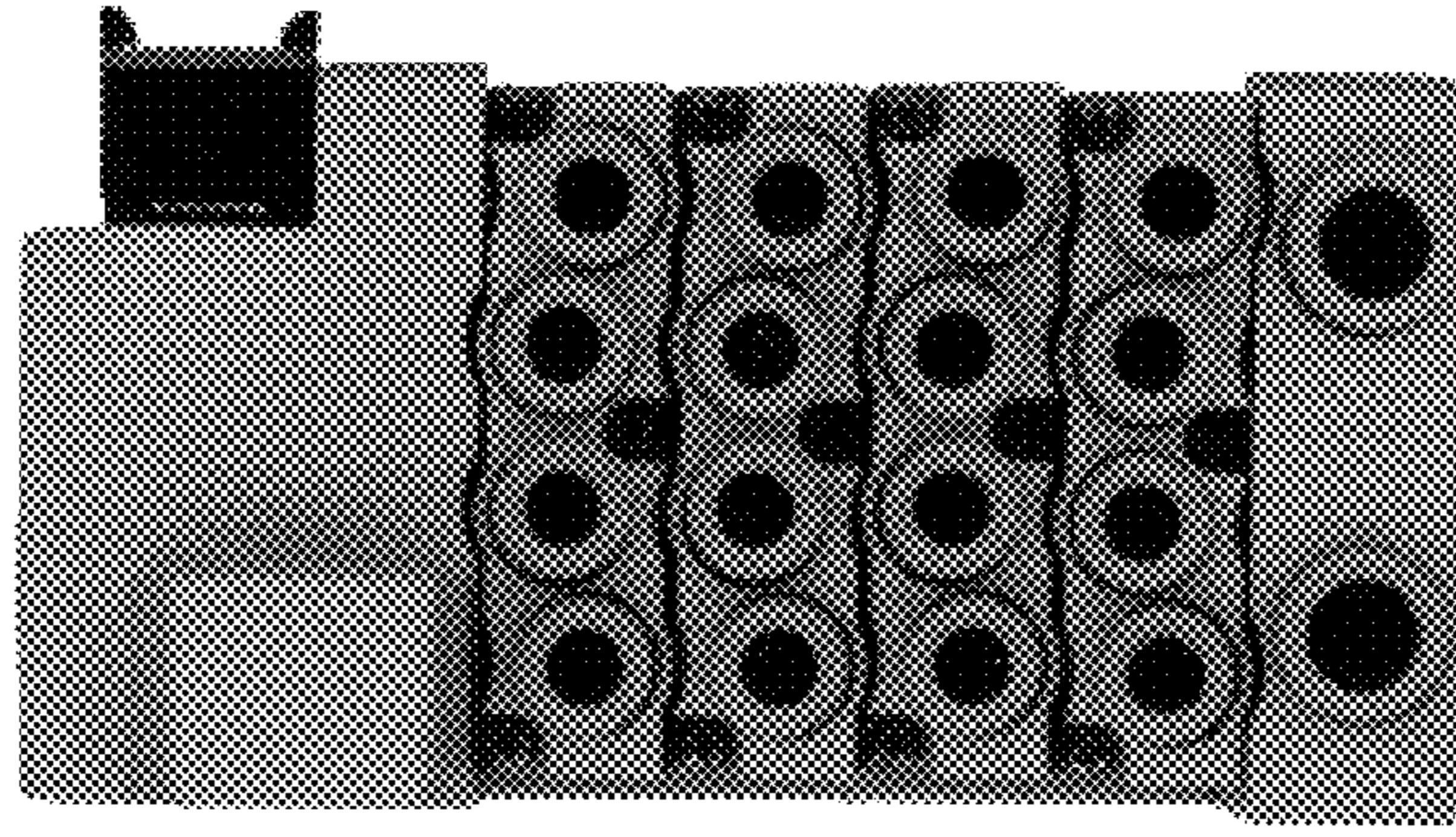


FIG. 3

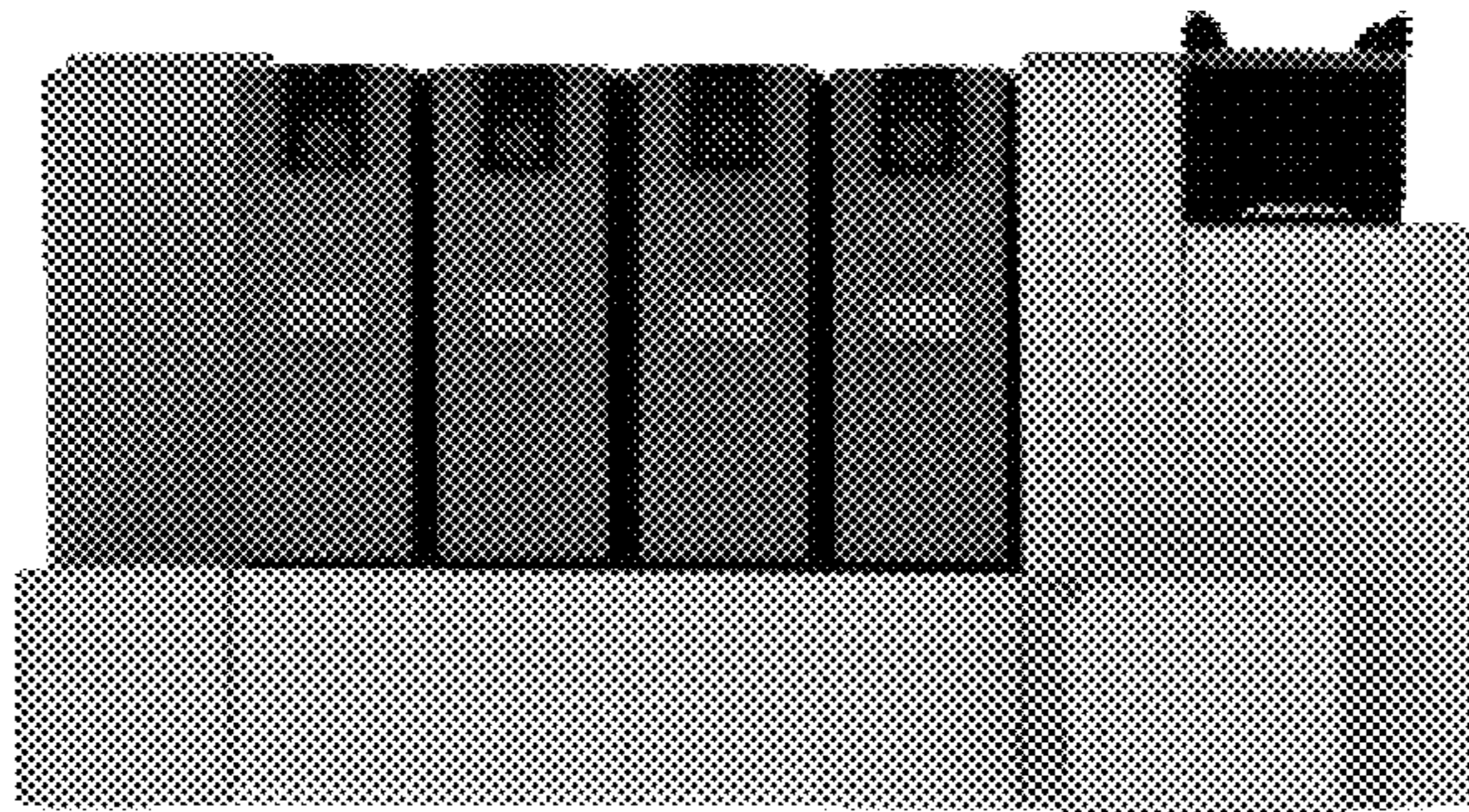


FIG. 4

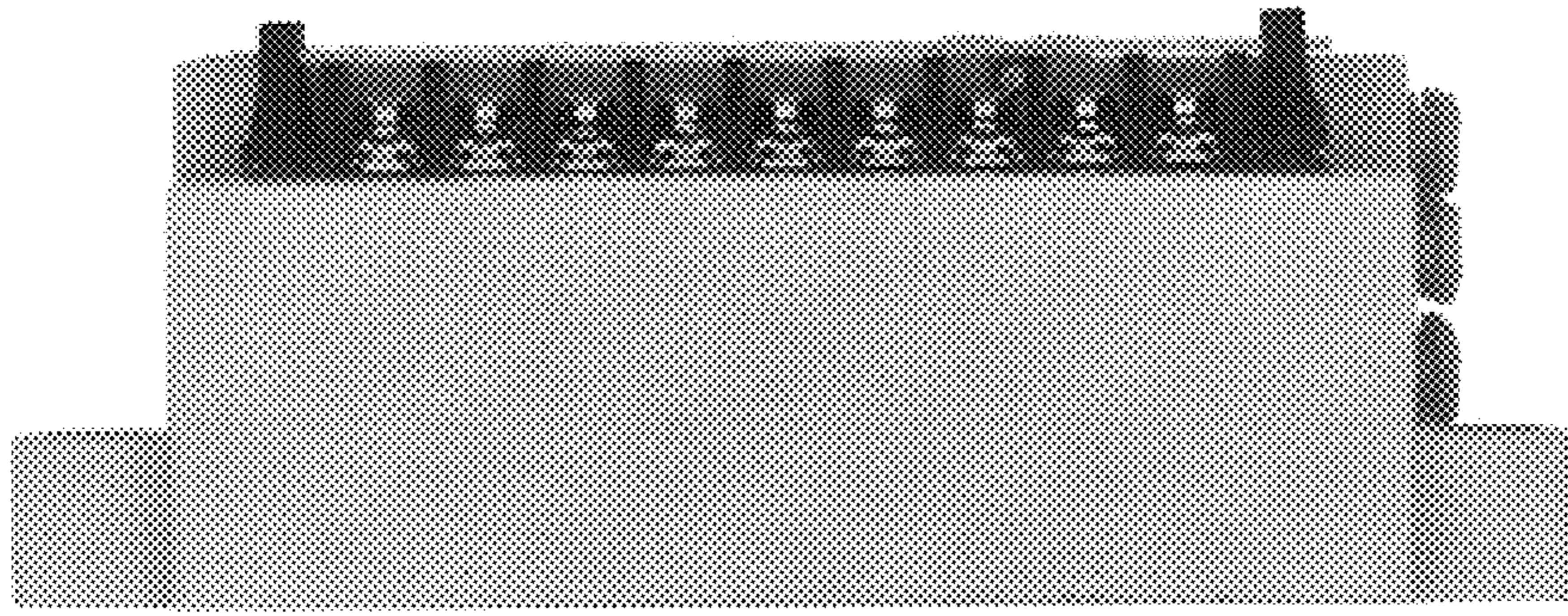


FIG. 5

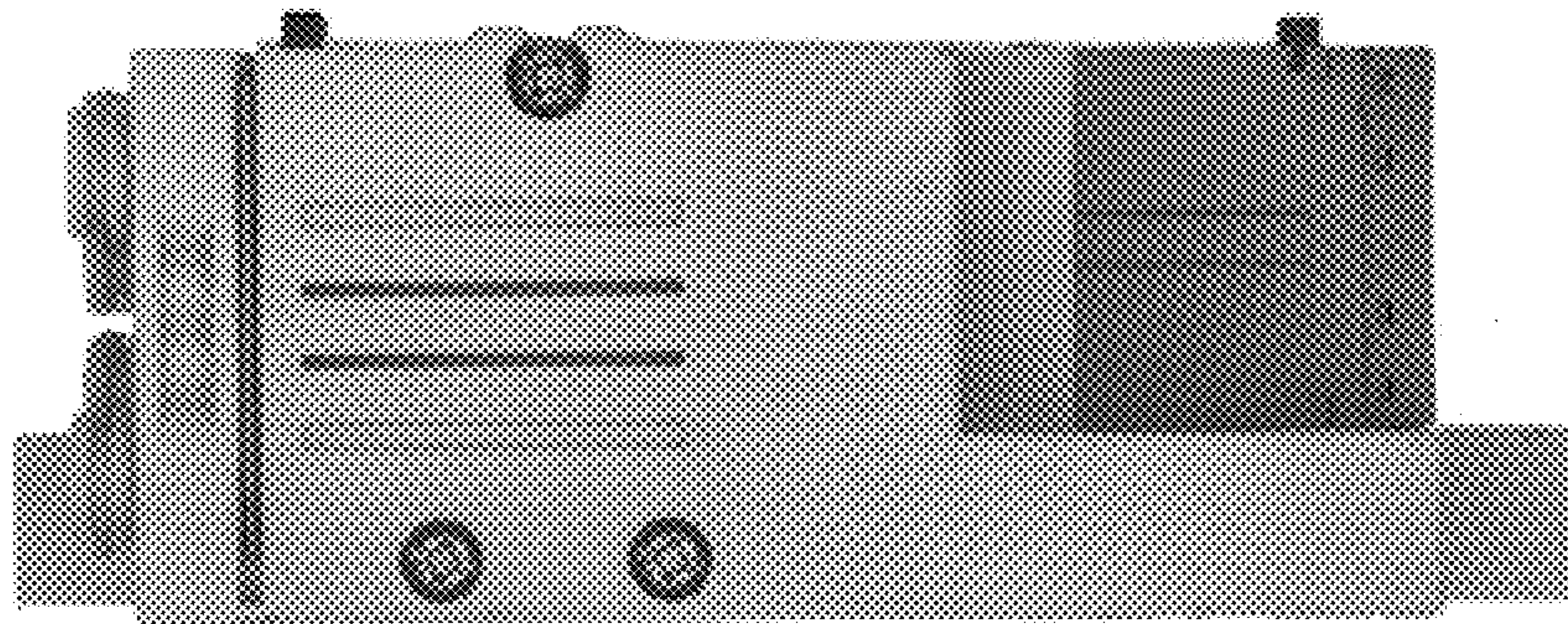


FIG. 6

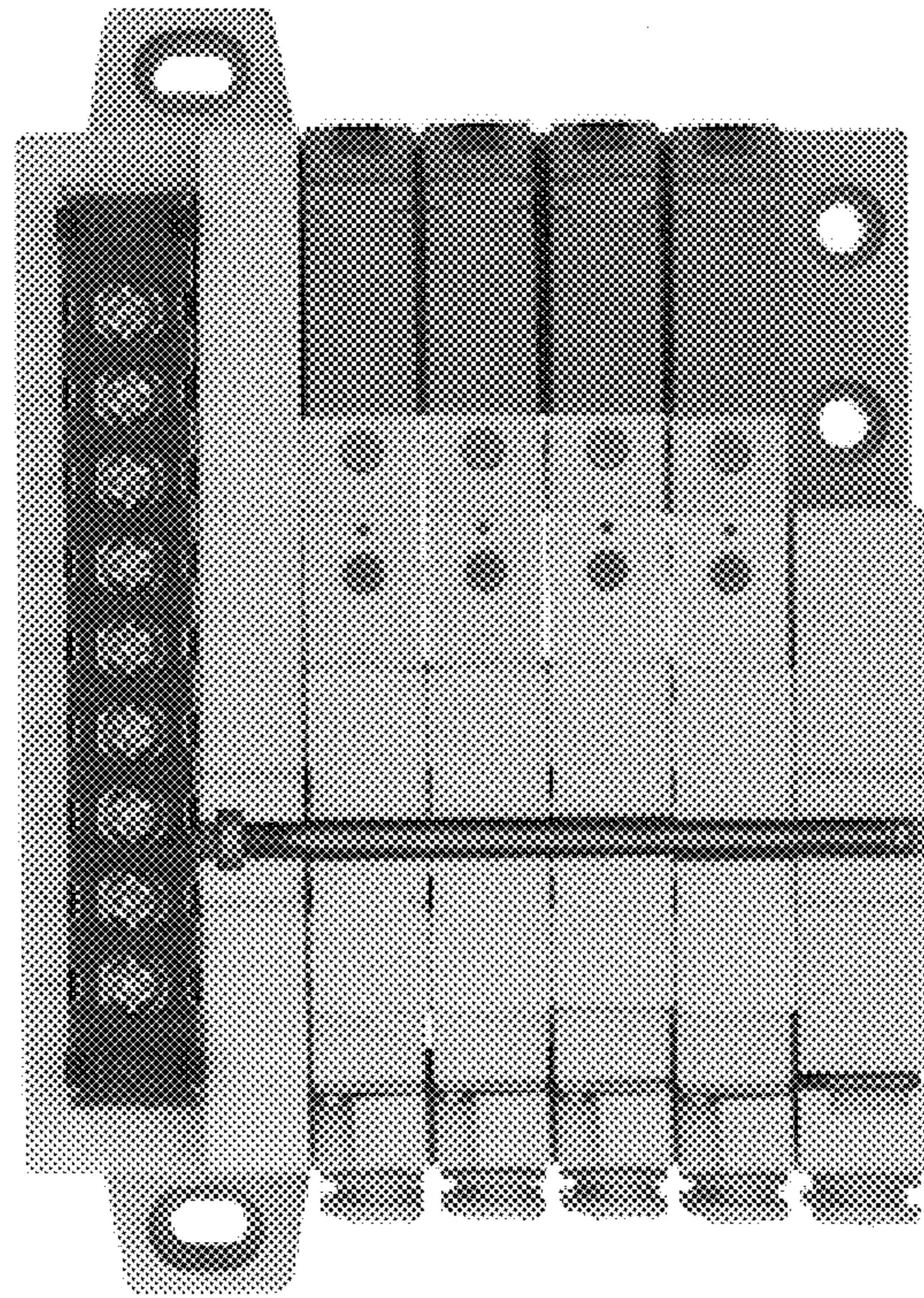


FIG. 7

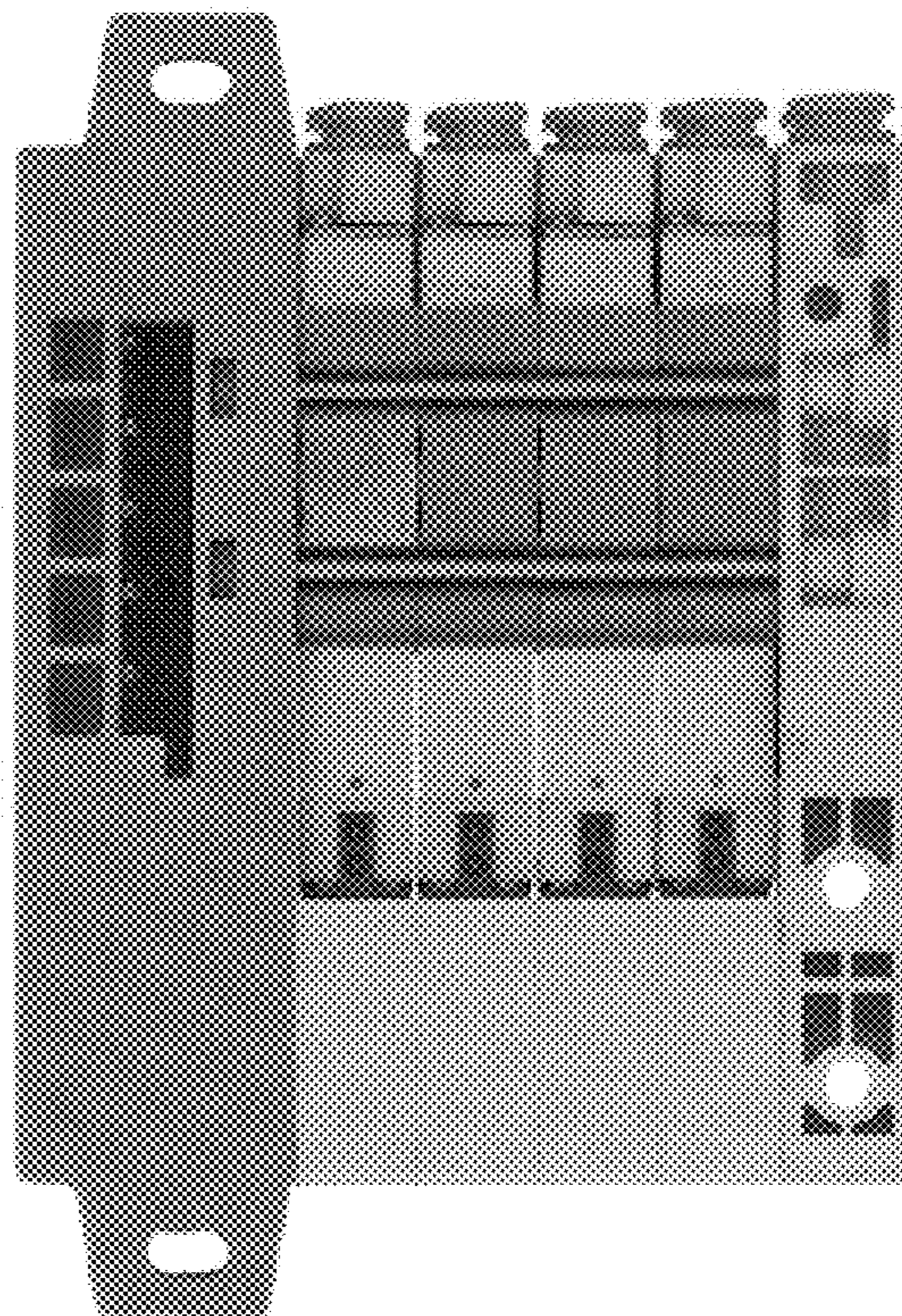


FIG. 8