



US00D410513S

United States Patent [19]
Gardner

[11] **Patent Number: Des. 410,513**
[45] **Date of Patent: ** Jun. 1, 1999**

[54] **GOLF CLUB PUTTER HEAD**

[76] Inventor: **Harold M. Gardner**, P.O. Box 97,
Rancho Mirage, Calif. 92270

[**] Term: **14 Years**

[21] Appl. No.: **29/089,445**

[22] Filed: **Jun. 15, 1998**

[51] **LOC (6) Cl.** **21-02**

[52] **U.S. Cl.** **D21/736; D21/738**

[58] **Field of Search** **D21/736-746;**
473/251-256, 340, 341, 324, 325

[56] **References Cited**

U.S. PATENT DOCUMENTS

D. 303,559	9/1989	Florian	D21/738
D. 344,563	2/1994	Sweet	D21/738
D. 368,292	3/1996	Willoughby	D21/738
D. 382,614	8/1997	Powell et al.	D21/736
D. 387,828	12/1997	Reina	D21/738
D. 388,852	1/1998	Giodano	D21/738

D. 395,691 6/1998 Spano D21/736
D. 396,257 7/1998 Spano D21/736

Primary Examiner—Mitchell I Siegel

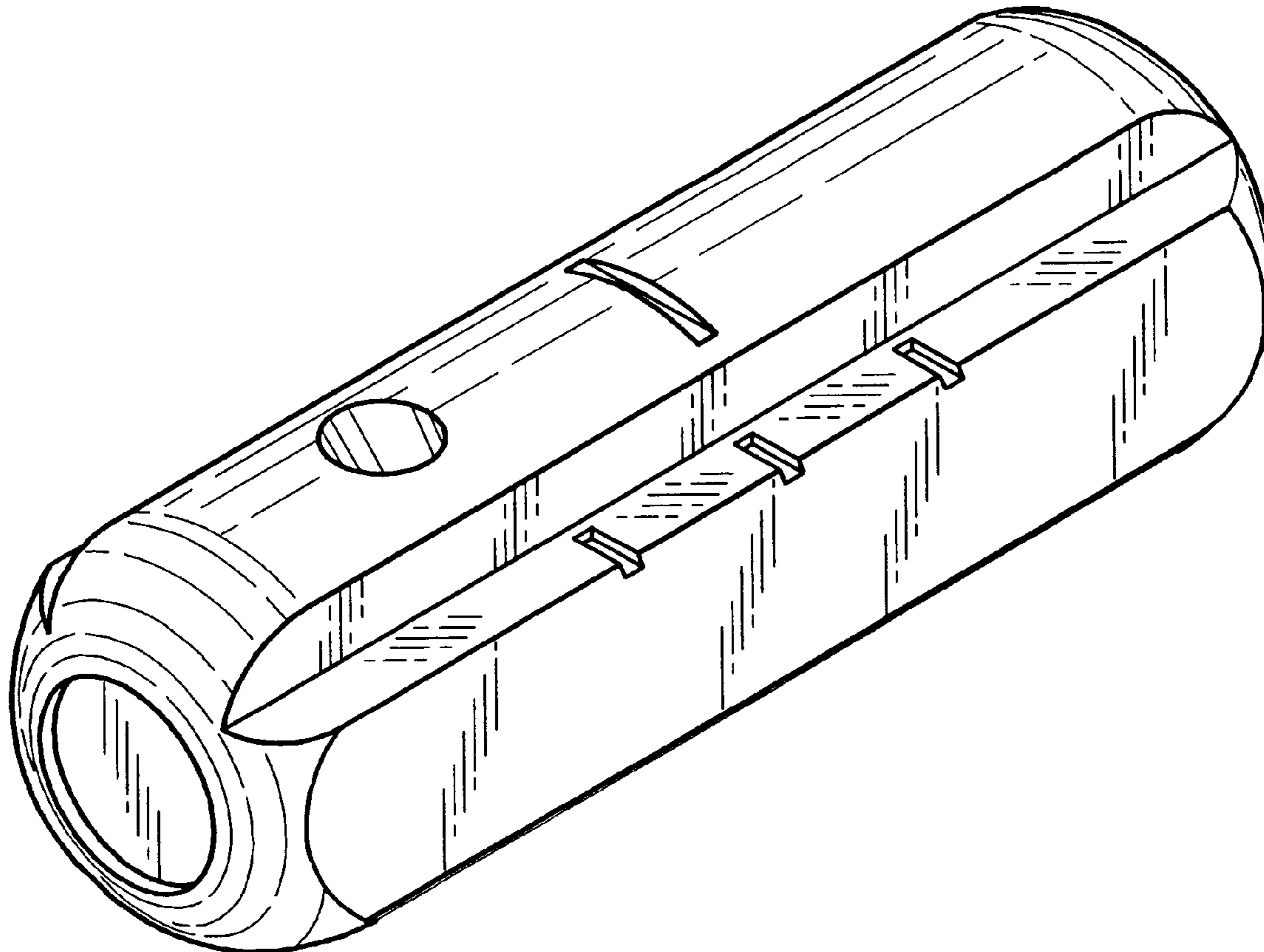
[57] **CLAIM**

The ornamental design for a golf club putter head, as shown and described.

DESCRIPTION

FIG. 1 is a rear top perspective view of a golf club putter head showing my new design.
FIG. 2 is an end elevation view thereof;
FIG. 3 is an end elevation view thereof;
FIG. 4 is a frontal top perspective;
FIG. 5 is a frontal elevation view thereof;
FIG. 6 is an enlarged frontal elevational view of a second embodiment of the golf club putter head as disclosed in FIG. 1;
FIG. 7 is an end elevational view of FIG. 6;
FIG. 8 is a rear elevational view of FIG. 6; and,
FIG. 9 is an opposite end elevational view of FIG. 7.
The undisclosed portions of the second embodiment are identical to those disclosed in the first embodiment.

1 Claim, 2 Drawing Sheets



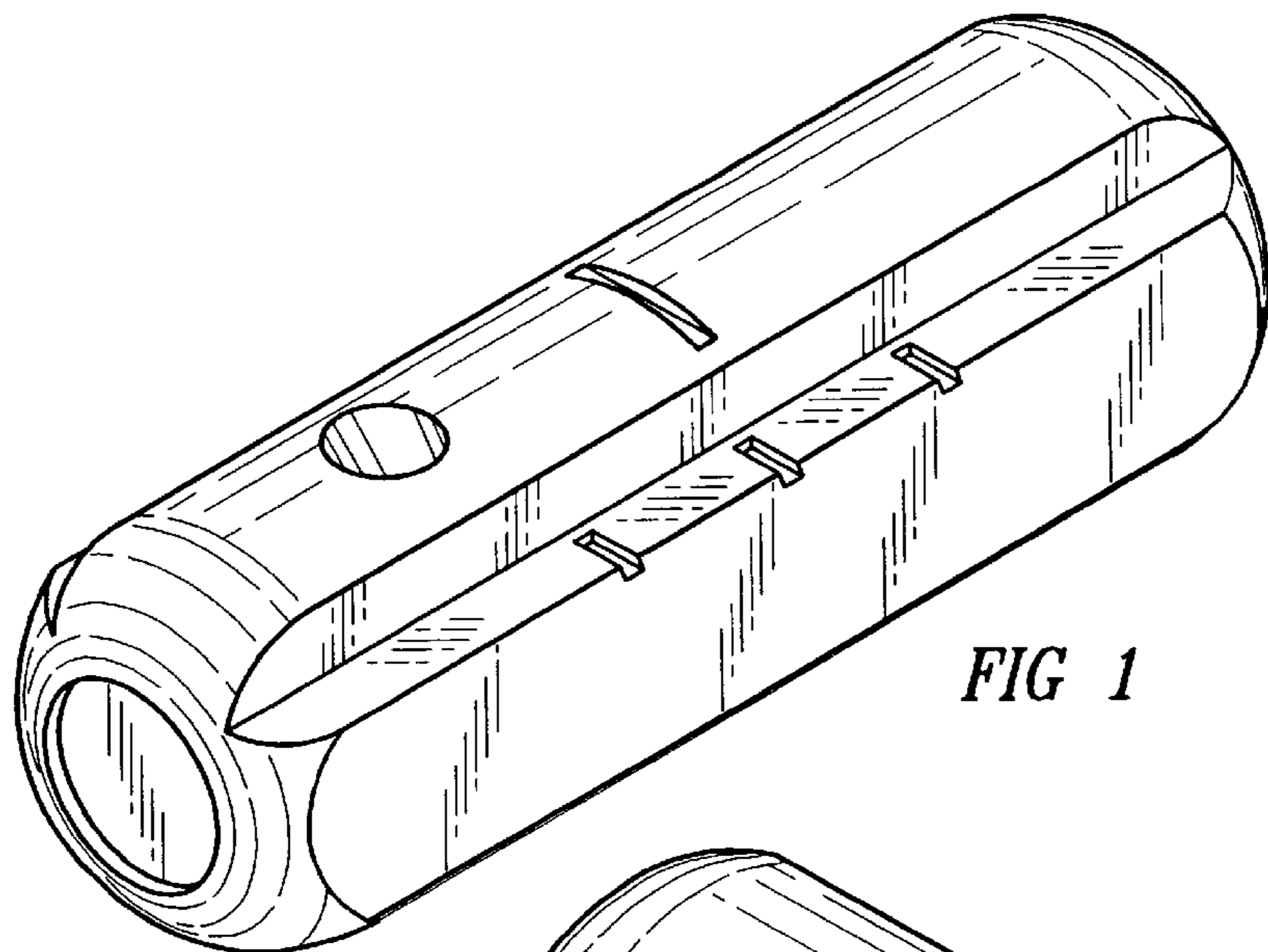


FIG 1

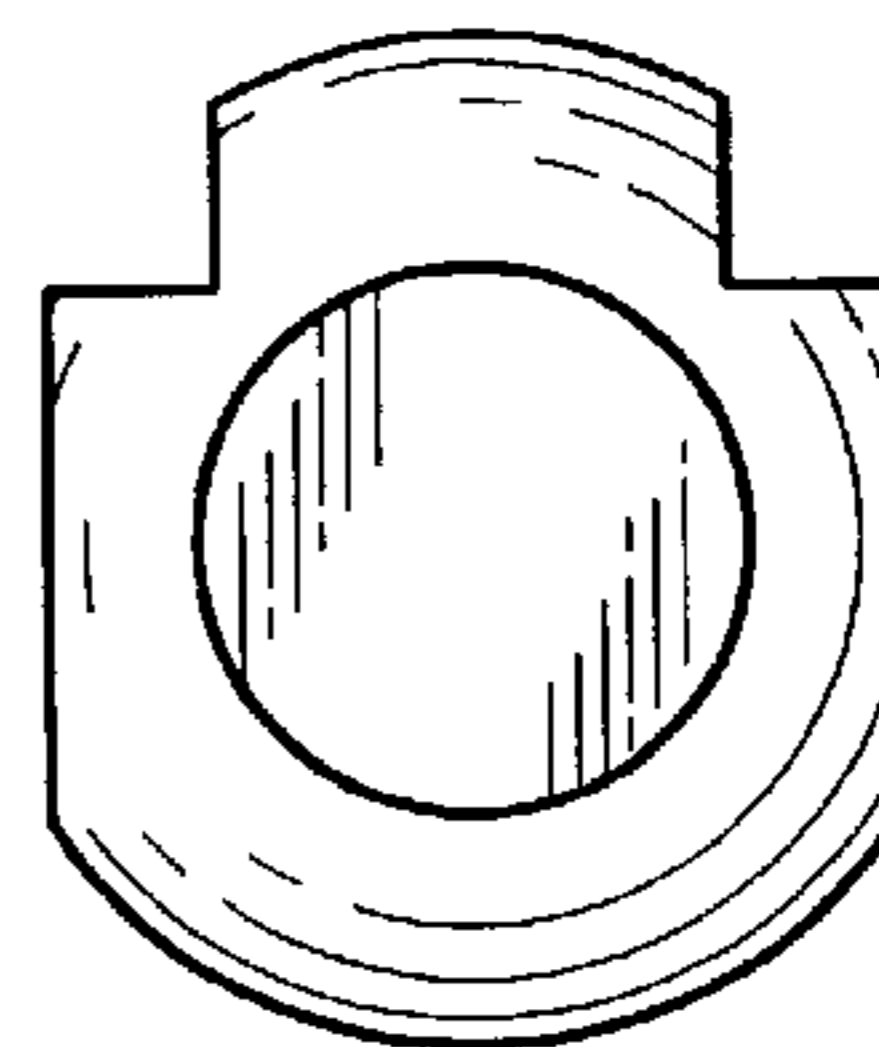


FIG 2

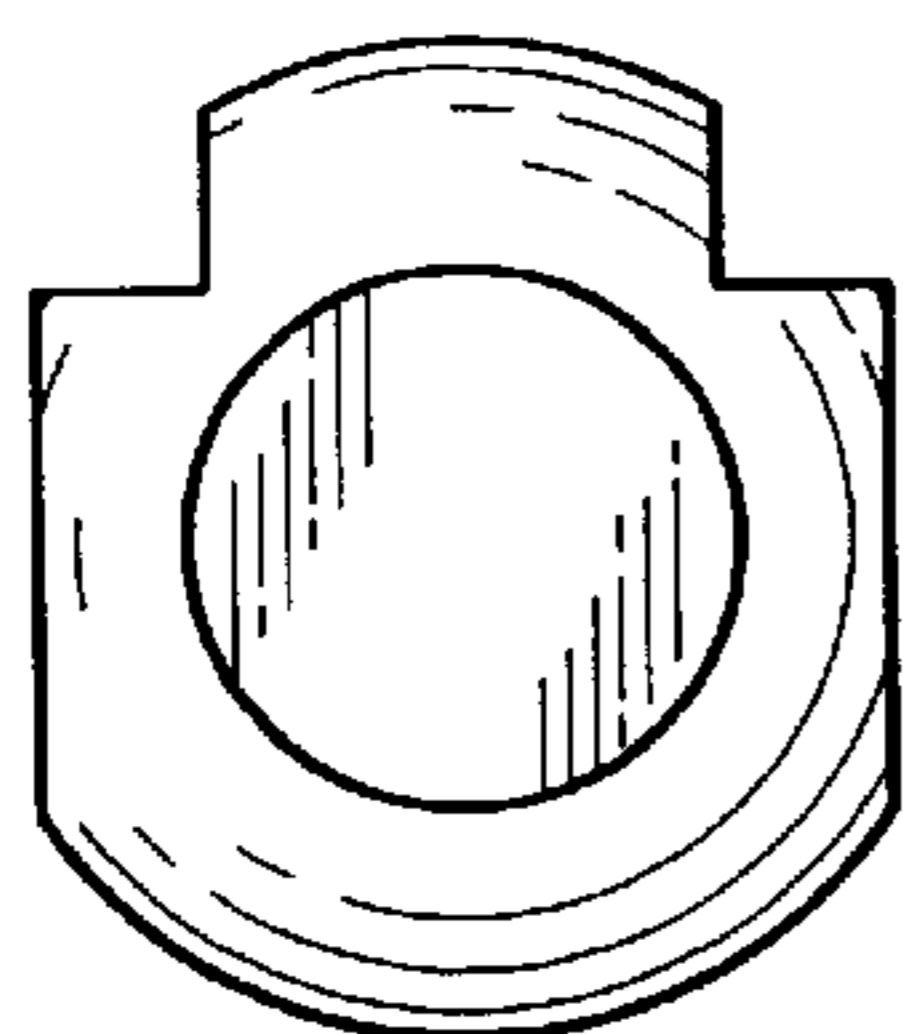


FIG 3

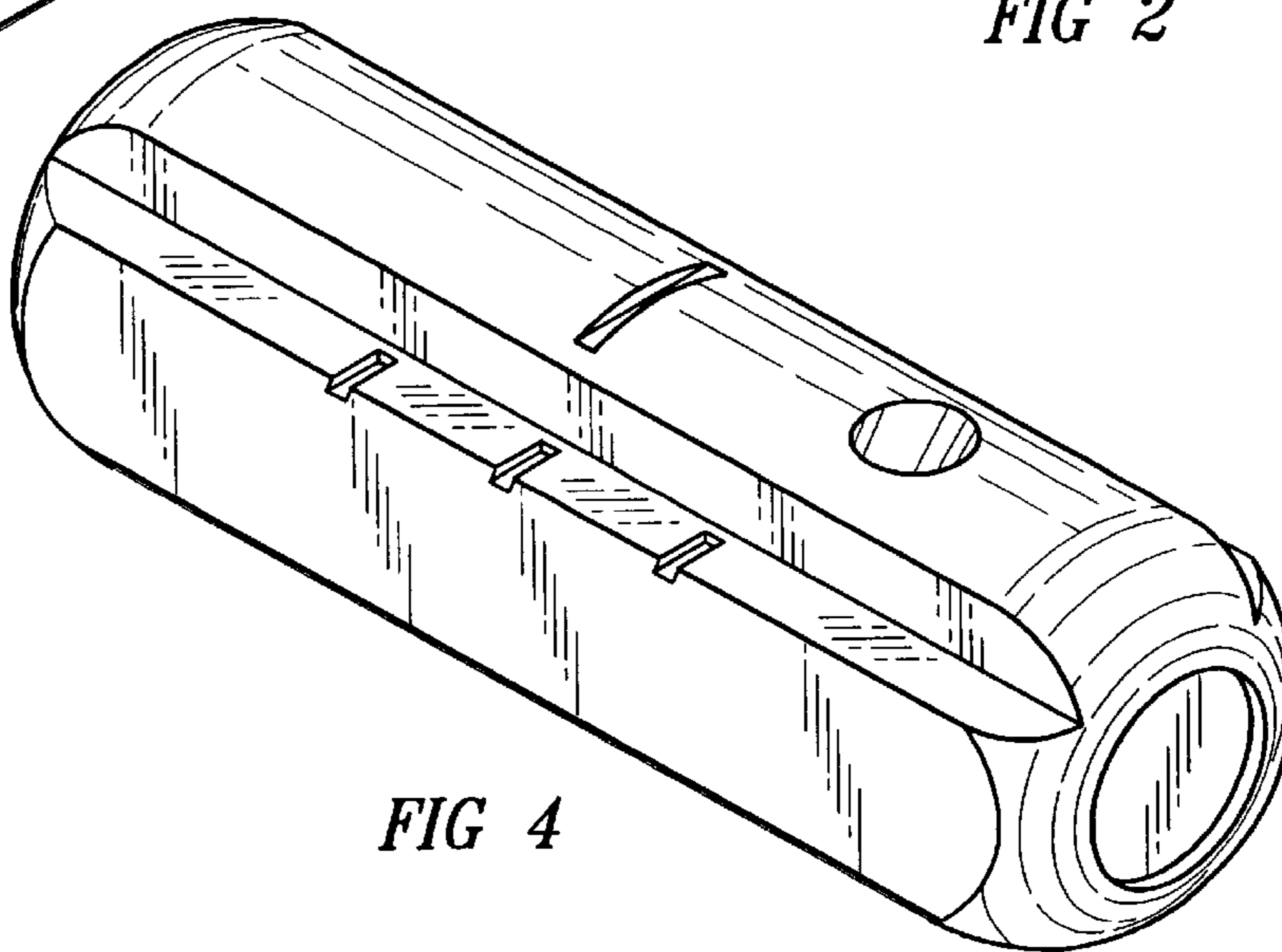


FIG 4

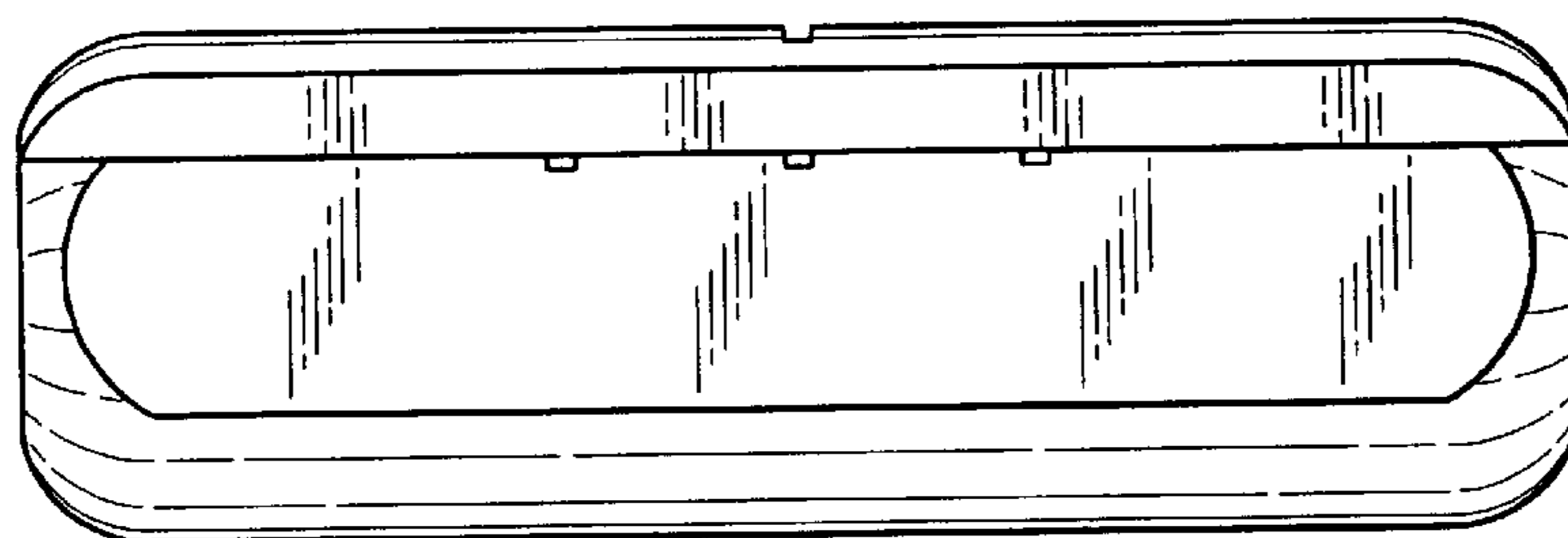


FIG 5

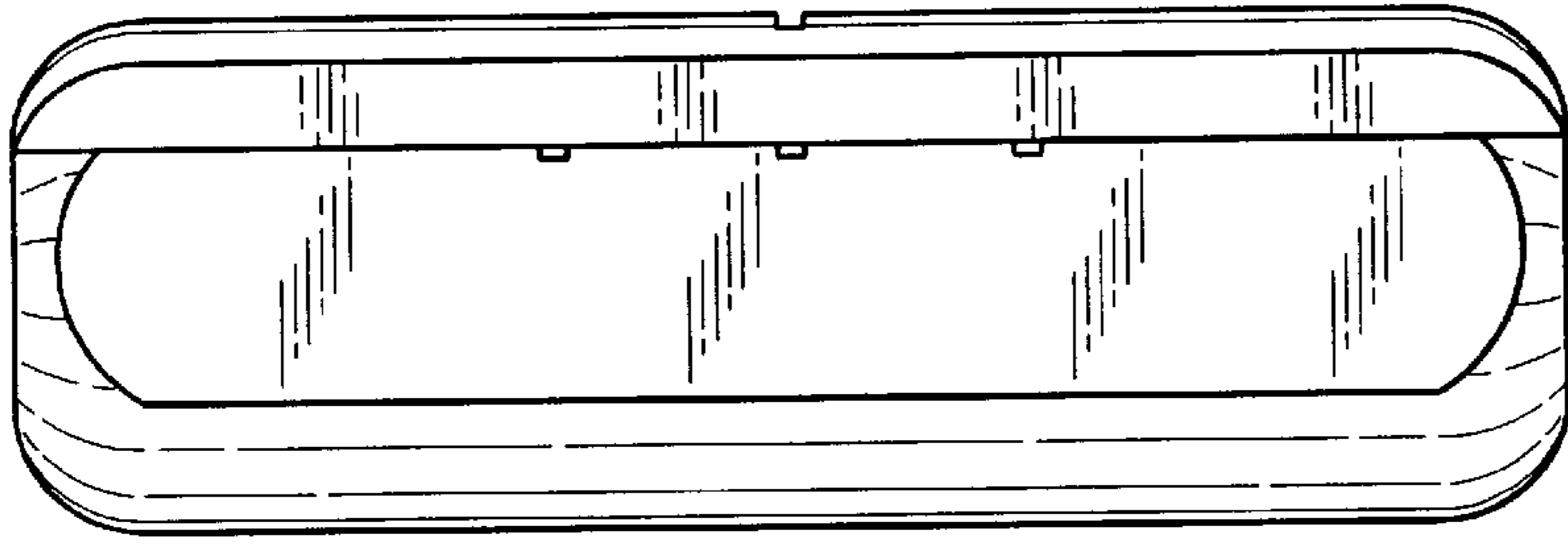


FIG 6

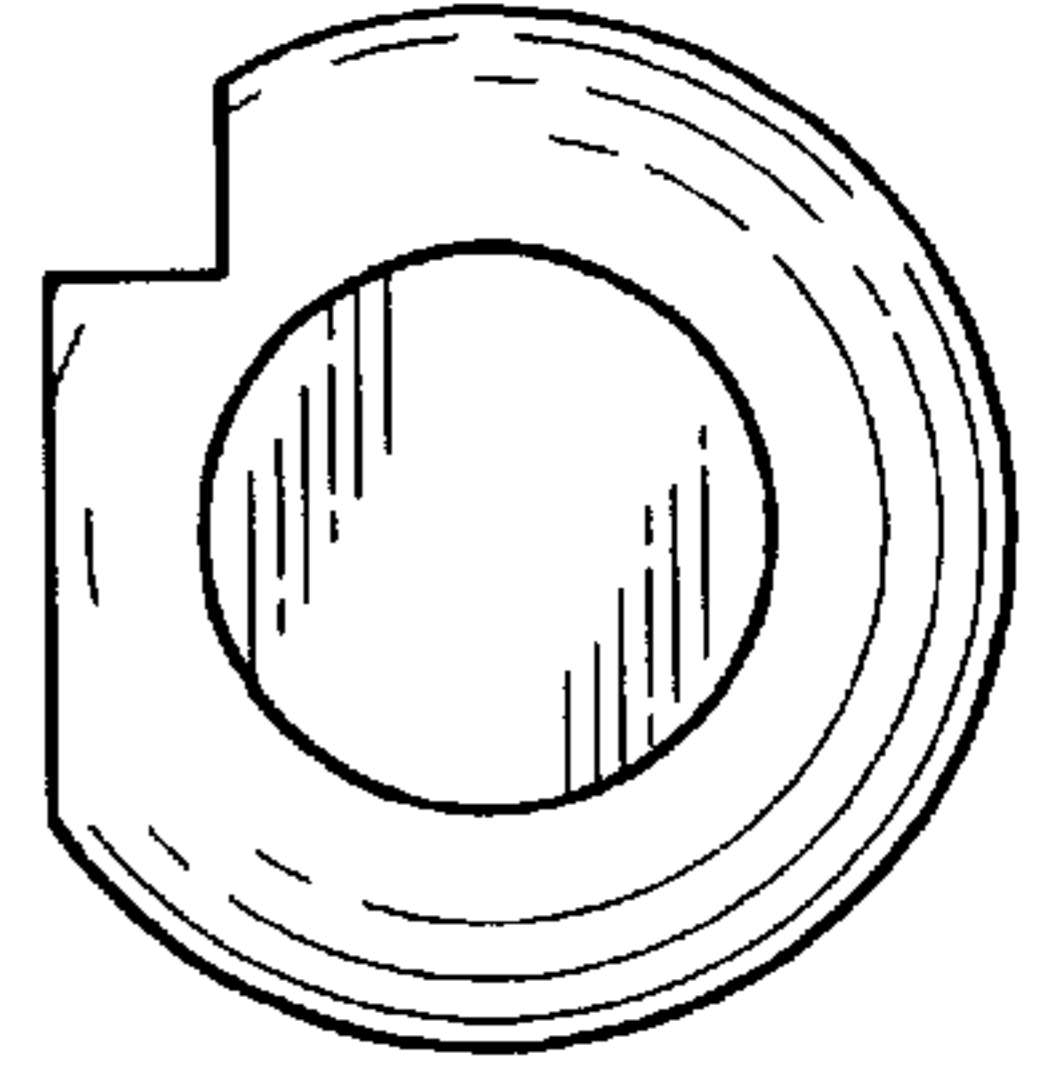


FIG 7

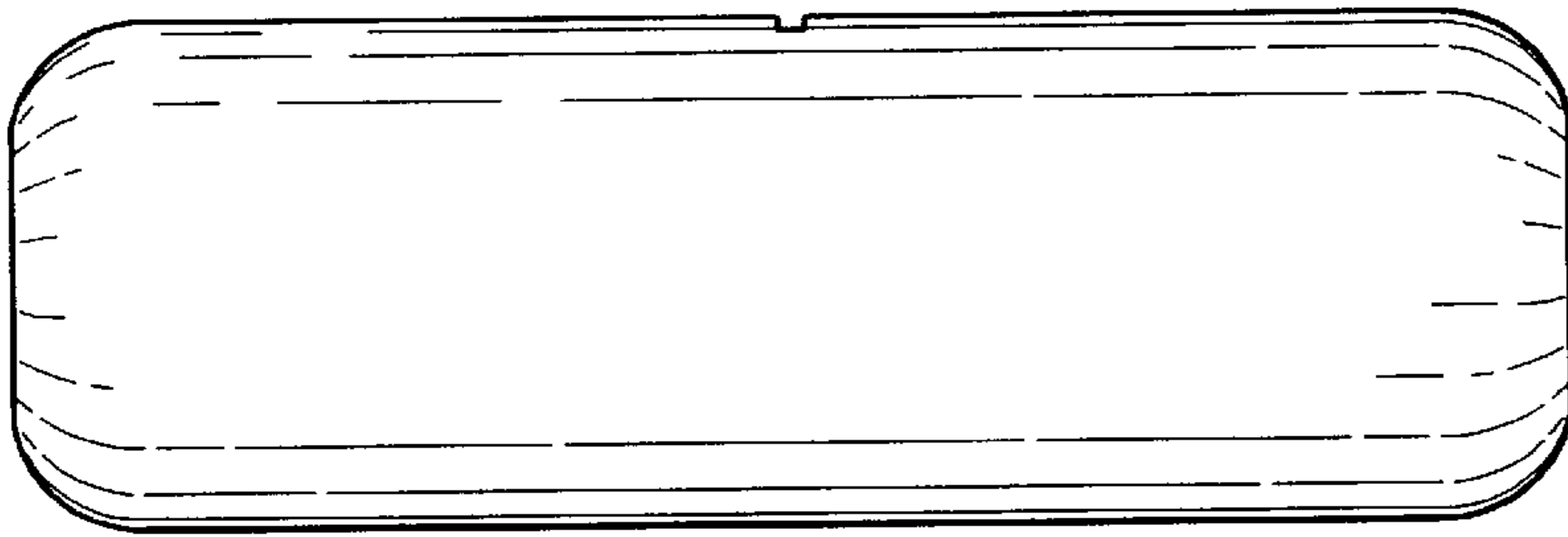


FIG 8

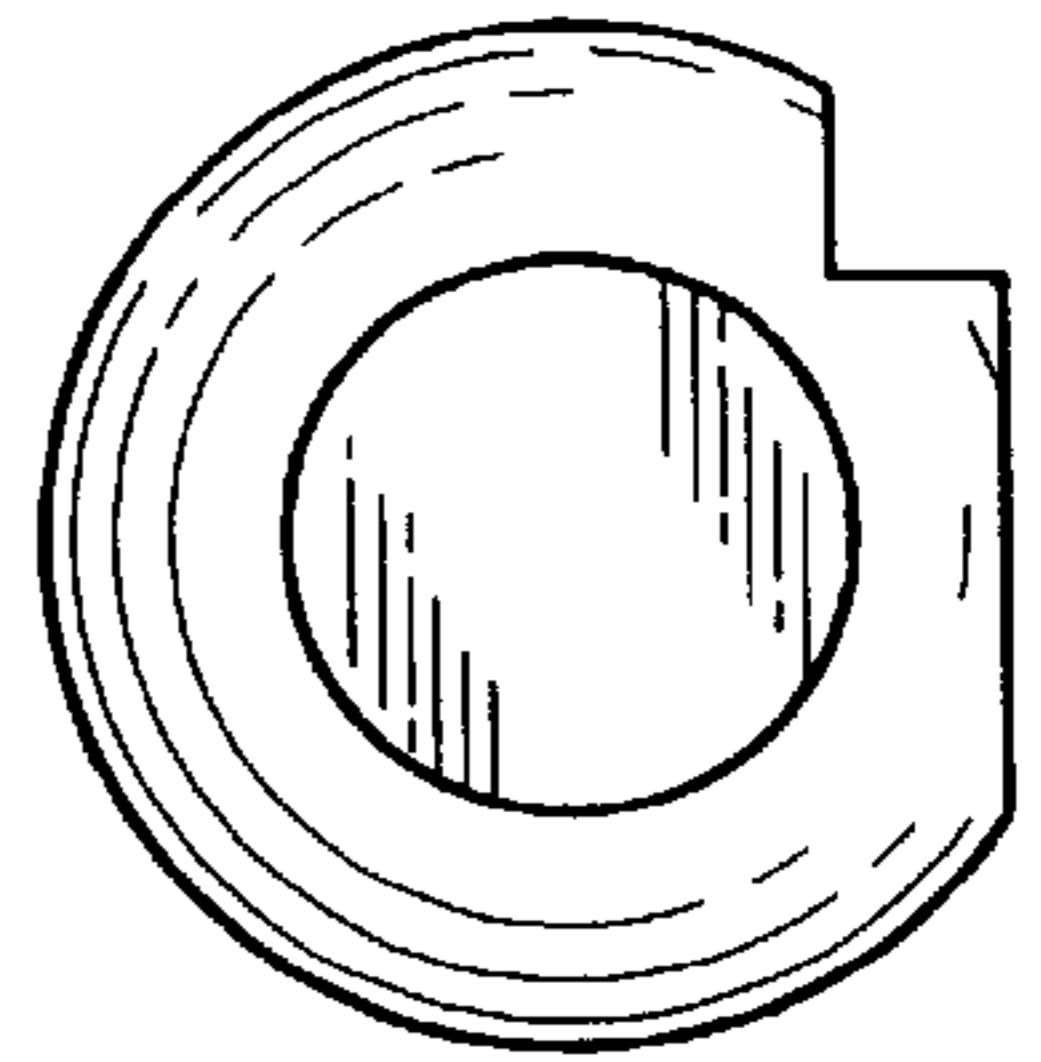


FIG 9