



US00D410505S

United States Patent [19]
Toft

[11] **Patent Number: Des. 410,505**
[45] **Date of Patent: ** Jun. 1, 1999**

[54] **TOY BUILDING ELEMENT**

[75] Inventor: **Uffe K. Toft**, Aarhus C, Denmark
[73] Assignee: **INTERLEGO AG**, Baar, Switzerland
[**] Term: **14 Years**

[21] Appl. No.: **29/094,967**
[22] Filed: **Oct. 14, 1998**

[51] **LOC (6) Cl.** **21-01**
[52] **U.S. Cl.** **D21/502; D21/503**
[58] **Field of Search** **D21/484-505,**
D21/561, 562; D8/382; 446/85, 88, 93-96,
102-104, 117, 120-121, 124-125, 128

[56] **References Cited**

U.S. PATENT DOCUMENTS

D. 291,409 8/1987 Themistos et al. D8/382
D. 395,064 6/1998 Pagel D21/484

OTHER PUBLICATIONS

Lego Catalog, p. 21, Blocks #5132, Jan. 1997.
Primary Examiner—Raphael Barkai
Attorney, Agent, or Firm—Kane, Dalsimer, Sullivan,
Kurucz, Levy, Eisele and Richard, LLP

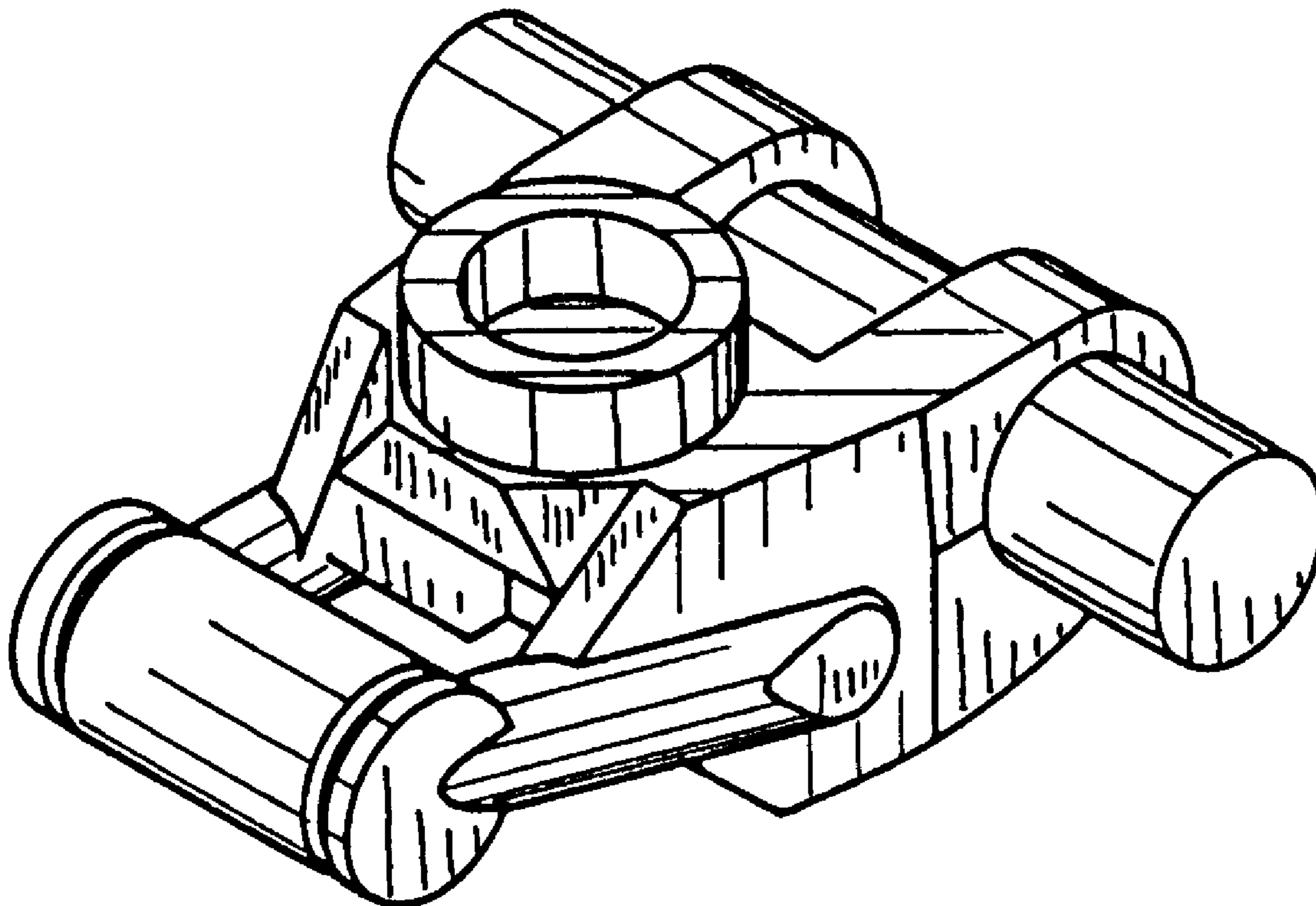
[57] **CLAIM**

The ornamental design for a toy building element, as shown and described.

DESCRIPTION

FIG. 1 is a top perspective view of the toy building element, FIG. 2 is a top plan view thereof, FIG. 3 is a front elevational view thereof, FIG. 4 is a bottom plan view thereof, FIG. 5 is a right side elevational view thereof, FIG. 6 is a left side elevational view thereof, FIG. 7 is a rear elevational view thereof; and, FIG. 8 is a bottom perspective view thereof.

1 Claim, 2 Drawing Sheets



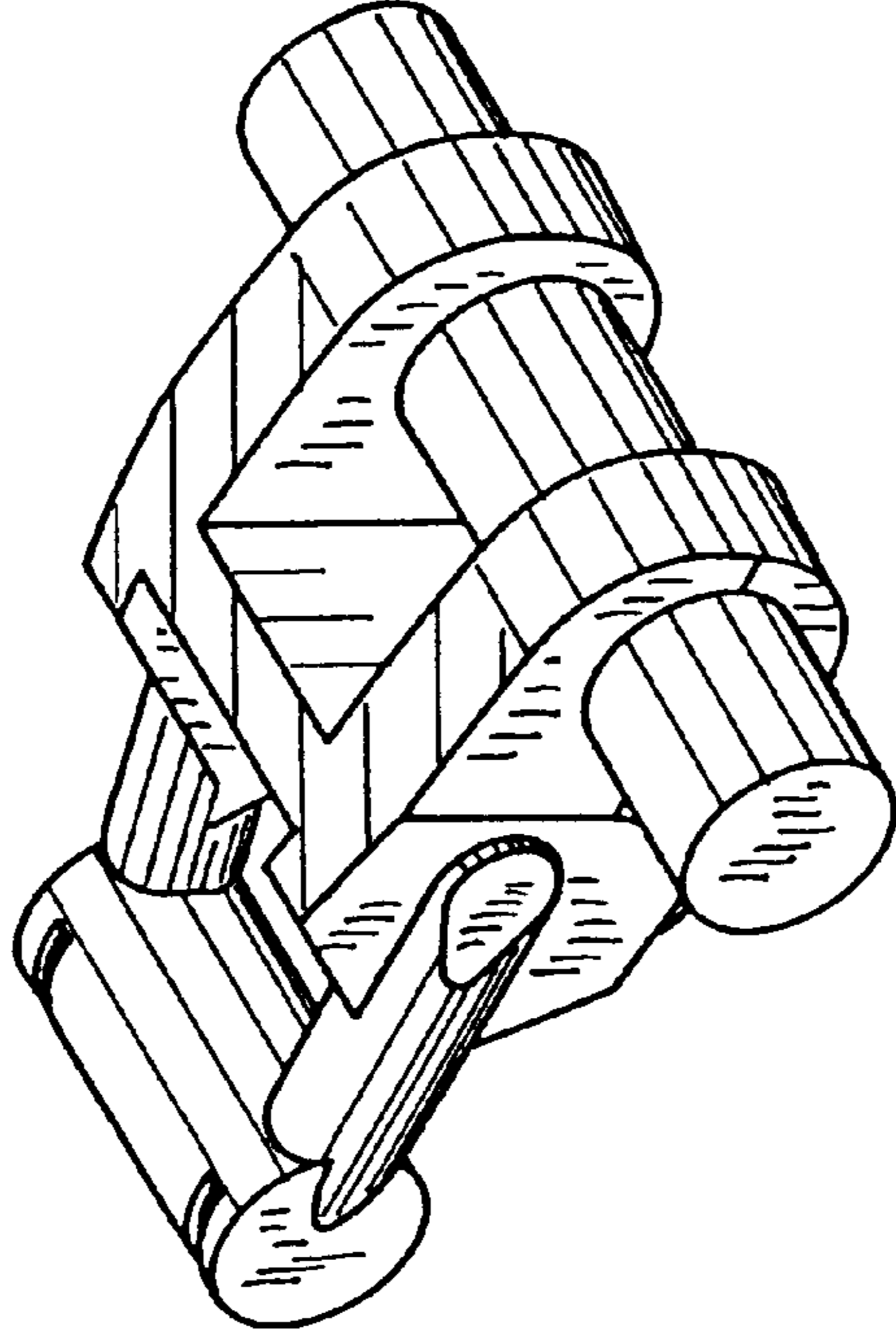


FIG. 8

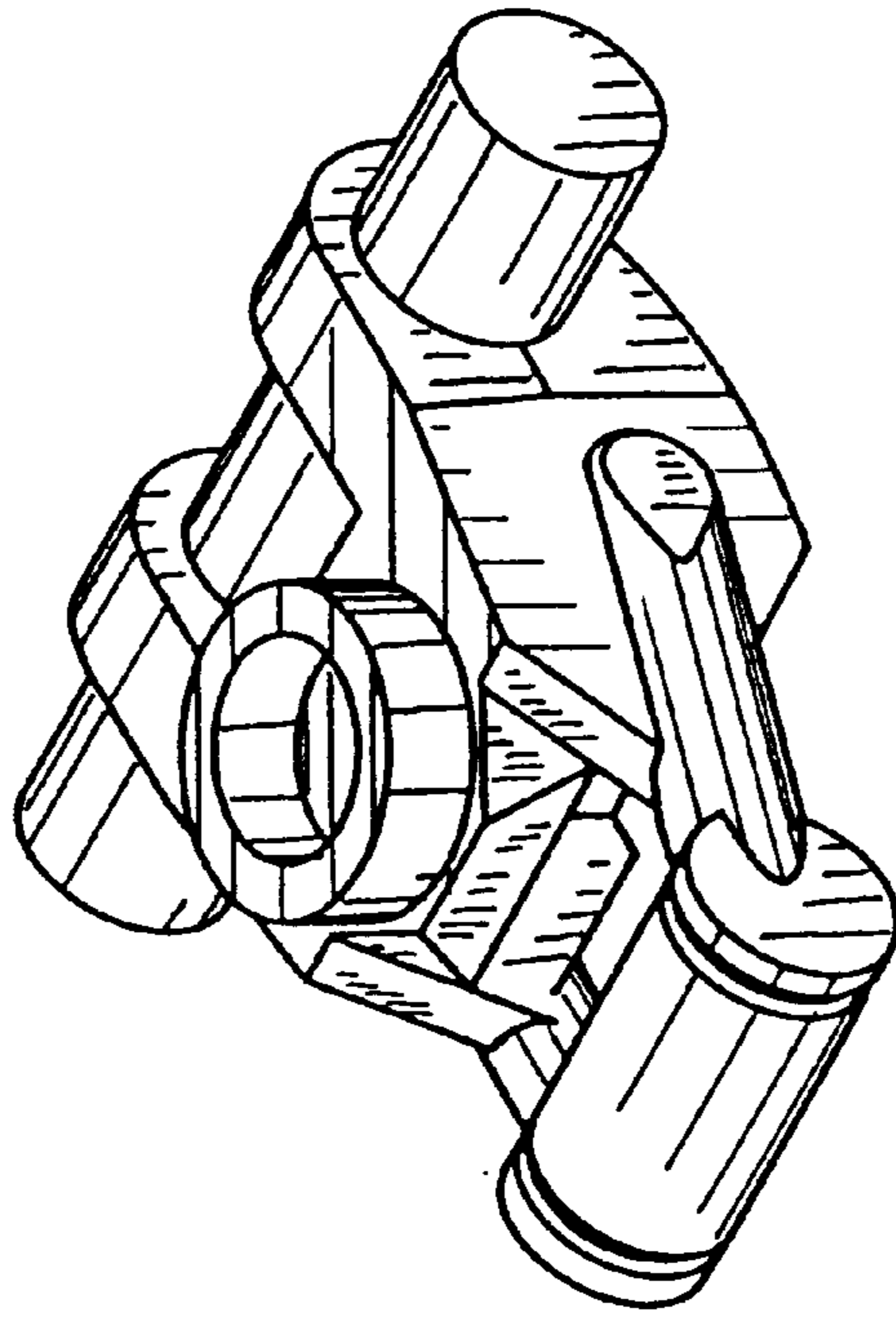


FIG. 1

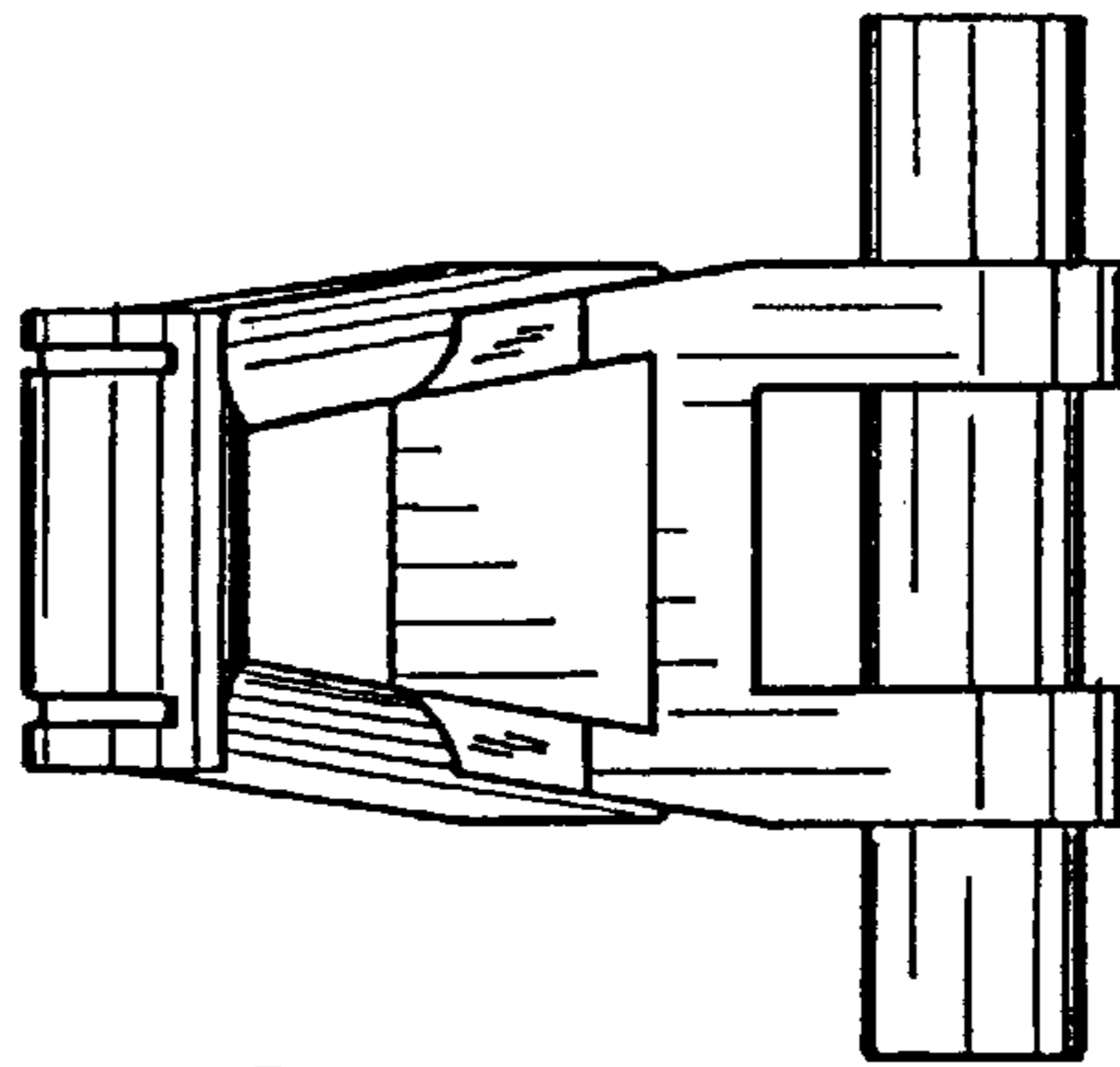


FIG. 4

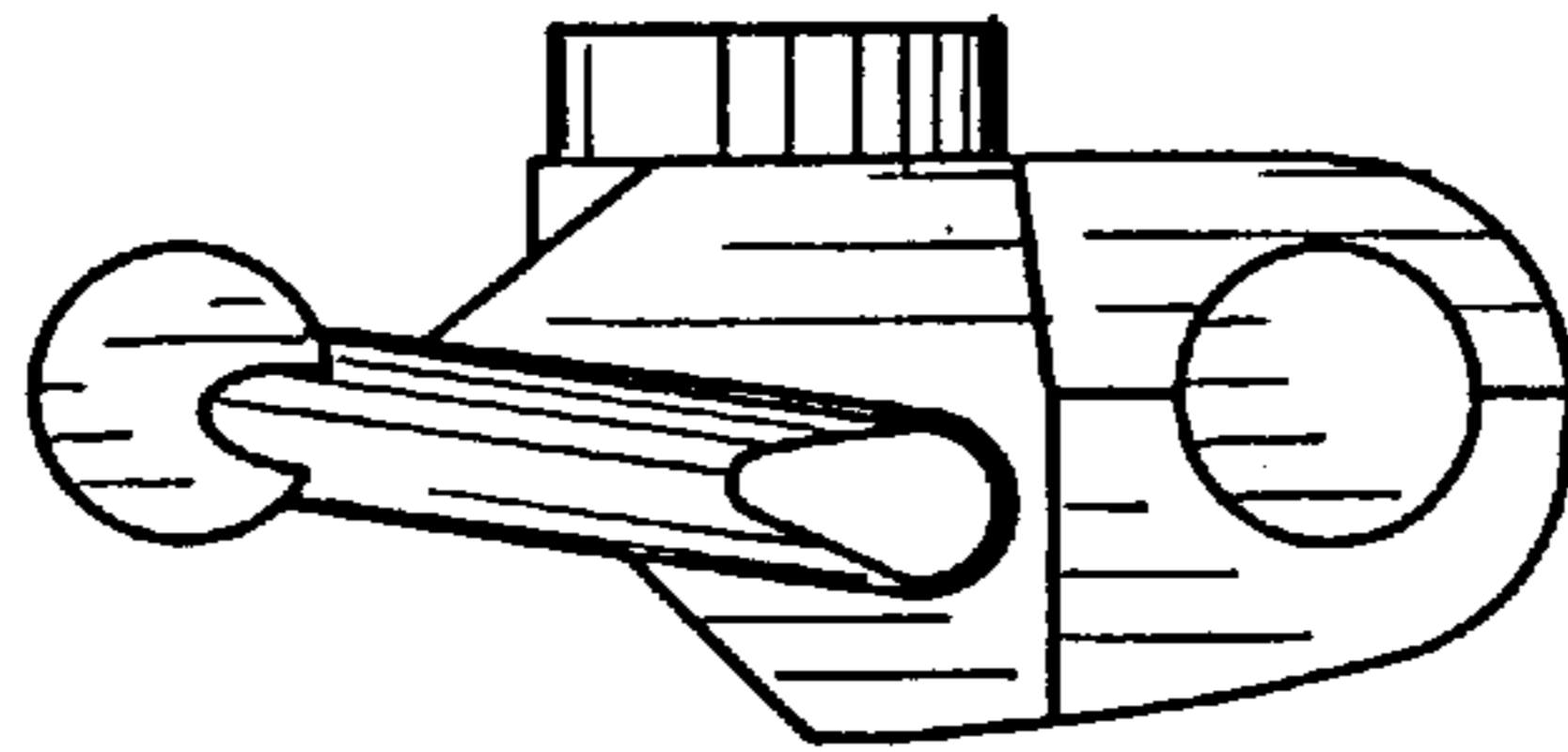


FIG. 3

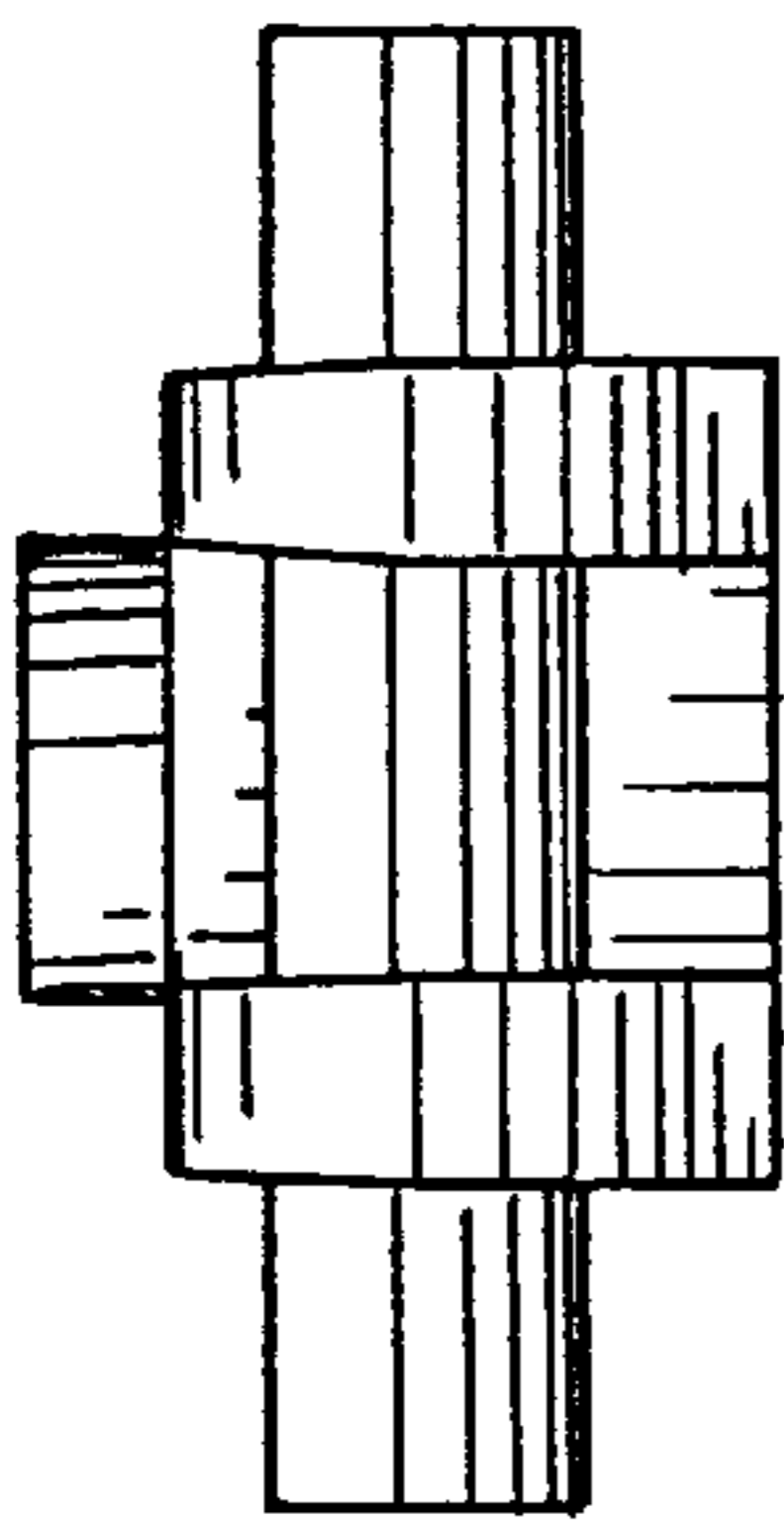


FIG. 6

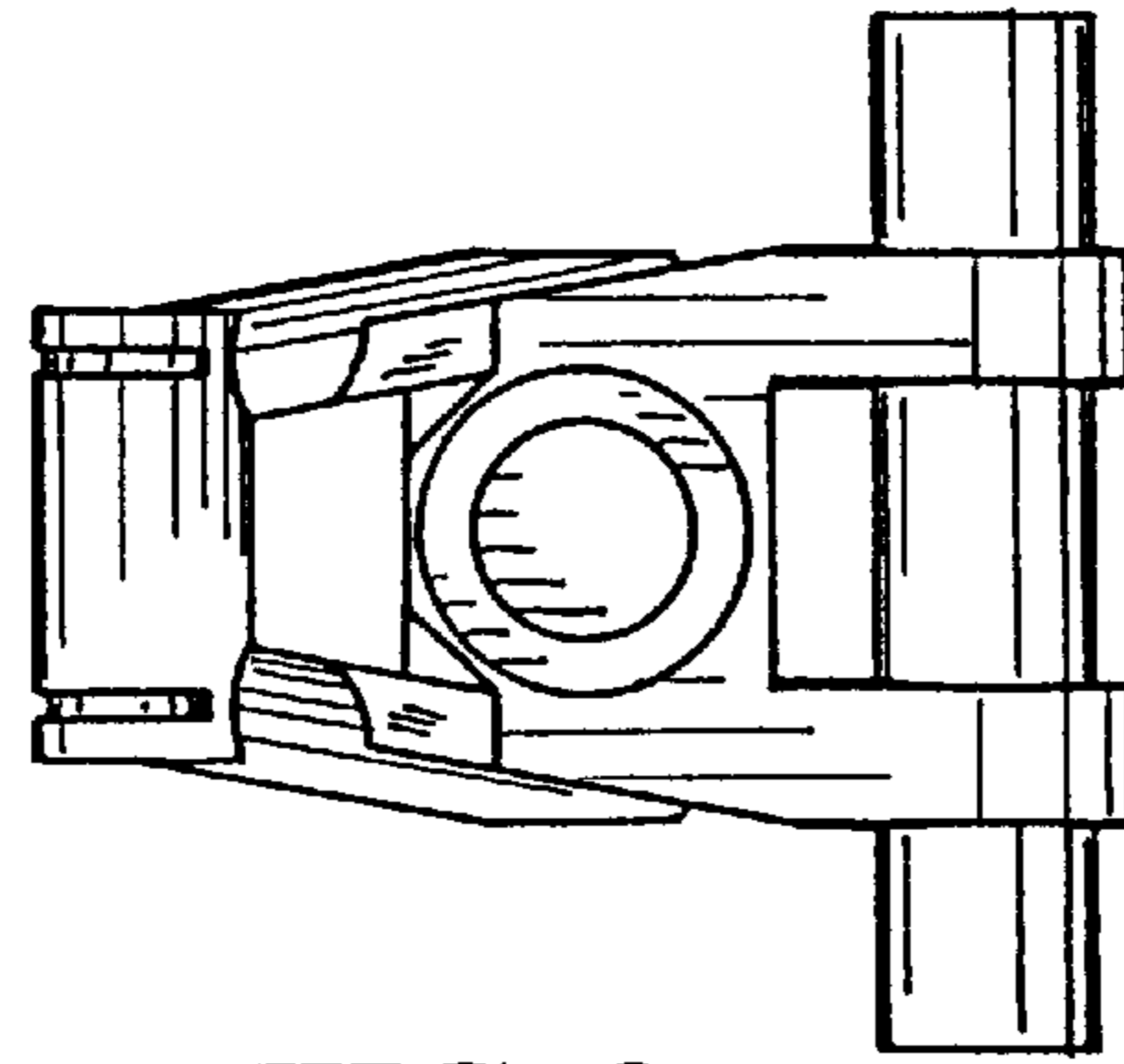


FIG. 2

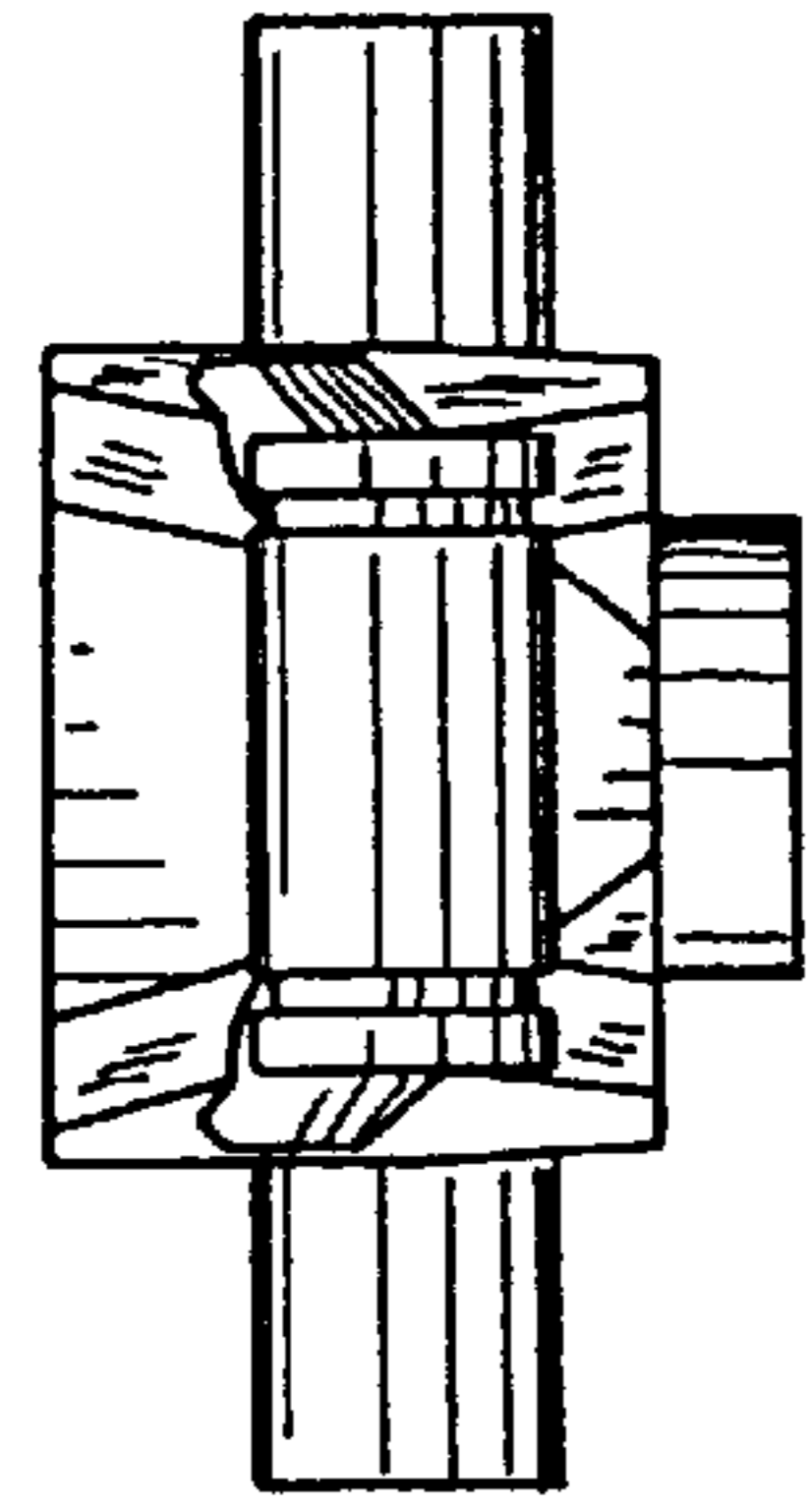


FIG. 5

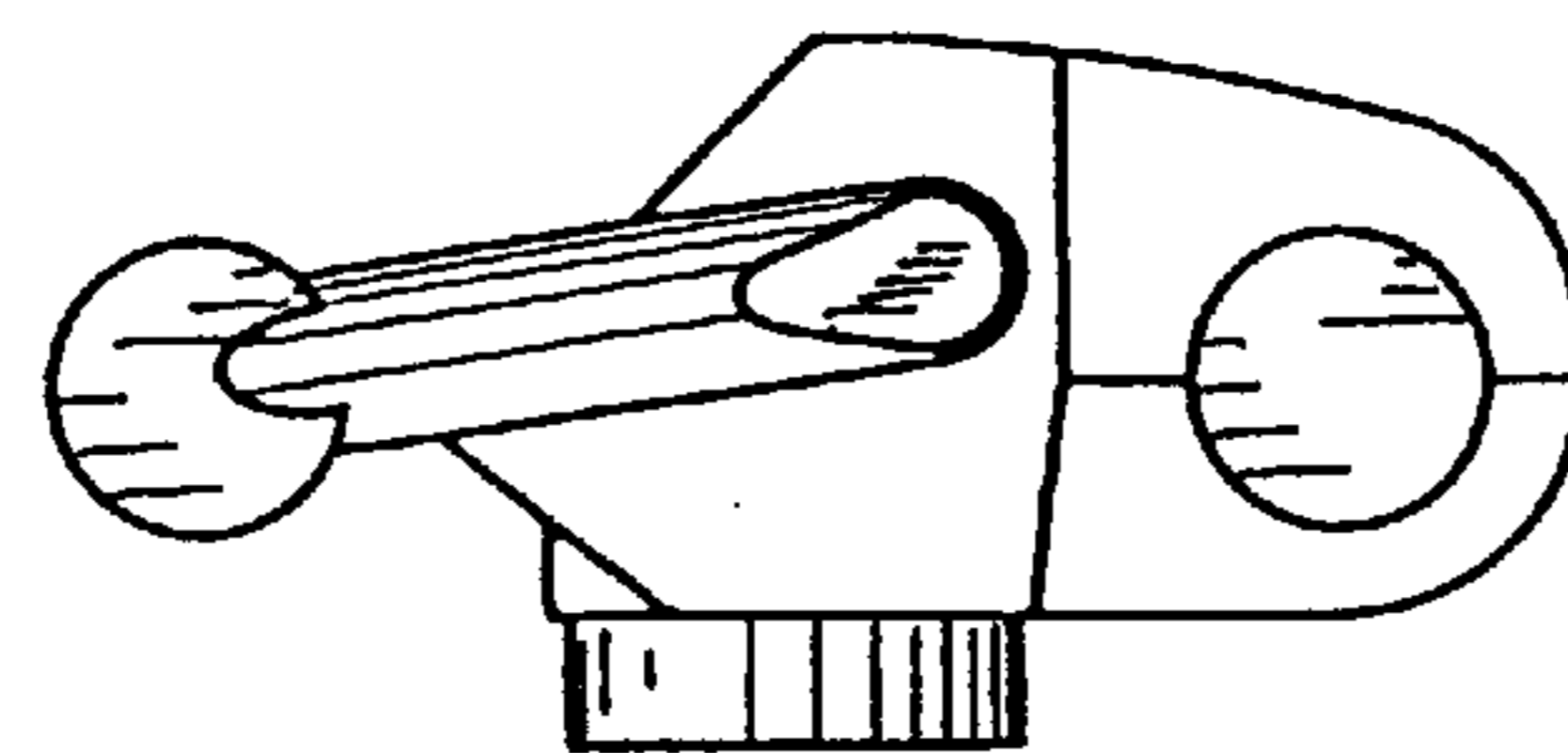


FIG. 7