



US00D410504S

United States Patent [19]
Tsai

[11] **Patent Number: Des. 410,504**
[45] **Date of Patent: ** Jun. 1, 1999**

[54] **TOY GLIDER**

2,092,380 9/1937 Shackelford 446/61

[76] Inventor: **Tzu-jan Tsai**, 5F, No. 5, Lane 350,
Wu-Hsing Street, Taipei, Taiwan

Primary Examiner—Dominic Simone
Attorney, Agent, or Firm—Smith, Gambrell & Russell, LLP;
Beveridge, DeGrandi, Weilacher & Young Intellectual
Property Group

[**] Term: **14 Years**

[21] Appl. No.: **29/088,251**

[57] **CLAIM**

[22] Filed: **May 19, 1998**

The ornamental design for a toy glider, as shown and described.

[51] **LOC (6) Cl.** **21-01**

DESCRIPTION

[52] **U.S. Cl.** **D21/449**

[58] **Field of Search** D21/436, 447,
D21/448, 449; 446/61

FIG. 1 is a perspective view of a toy glider showing my new design;

[56] **References Cited**

U.S. PATENT DOCUMENTS

- D. 204,283 4/1966 Westlund D21/449
- D. 277,117 1/1985 Barrett D21/449
- D. 309,164 7/1990 Antonucci D21/449
- D. 326,470 5/1992 Scarpelli D21/449
- D. 354,994 1/1995 Ender et al. D21/449 X
- D. 370,502 6/1996 Nye D21/449

FIG. 2 is a front elevation view thereof;

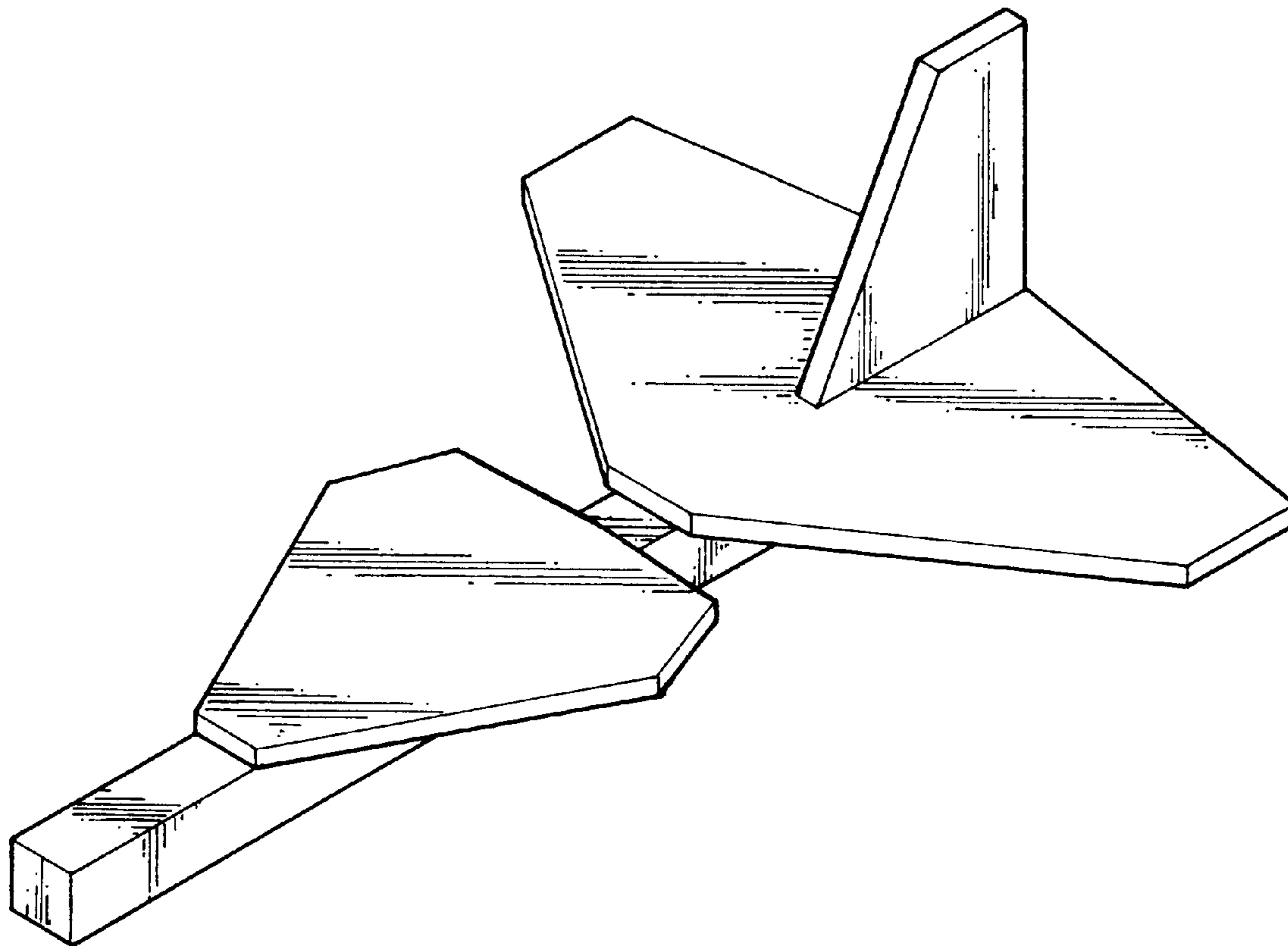
FIG. 3 is a rear elevation view thereof;

FIG. 4 is a right side elevation view thereof; the left side elevation view is symmetrical to the right side elevation view;

FIG. 5 is a top plan view thereof; and,

FIG. 6 is a bottom plan view thereof.

1 Claim, 3 Drawing Sheets



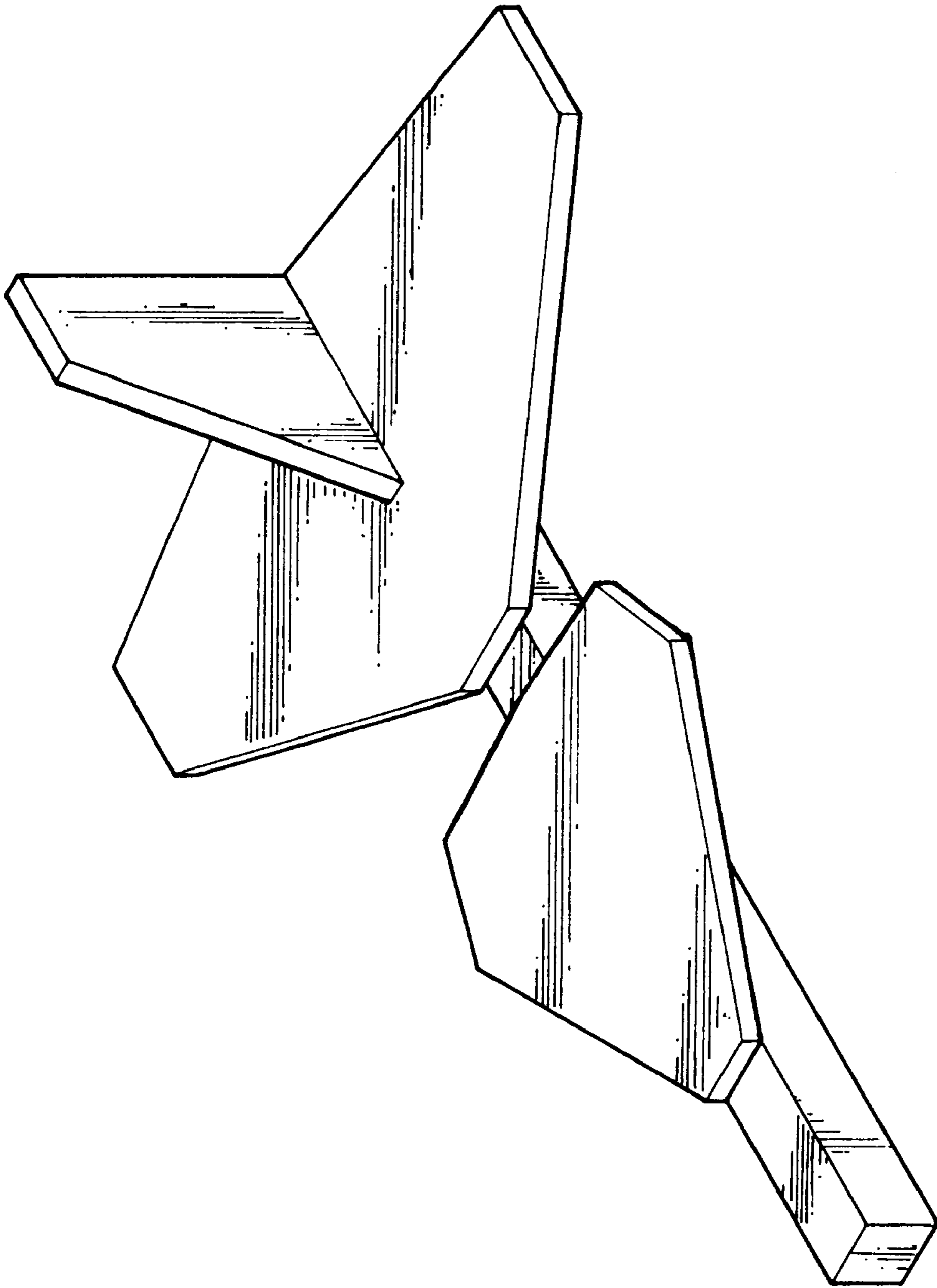


FIG. 1

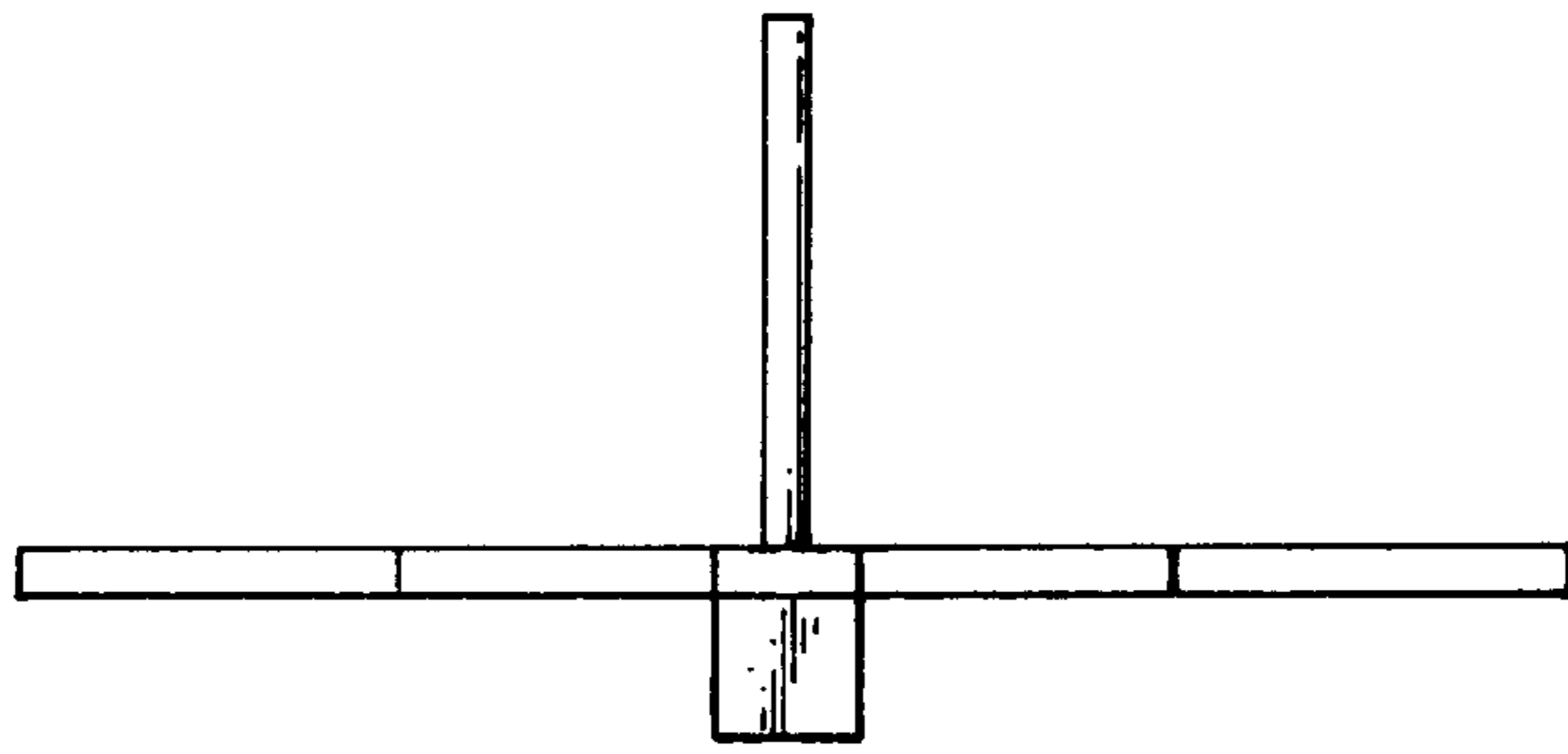


FIG. 2

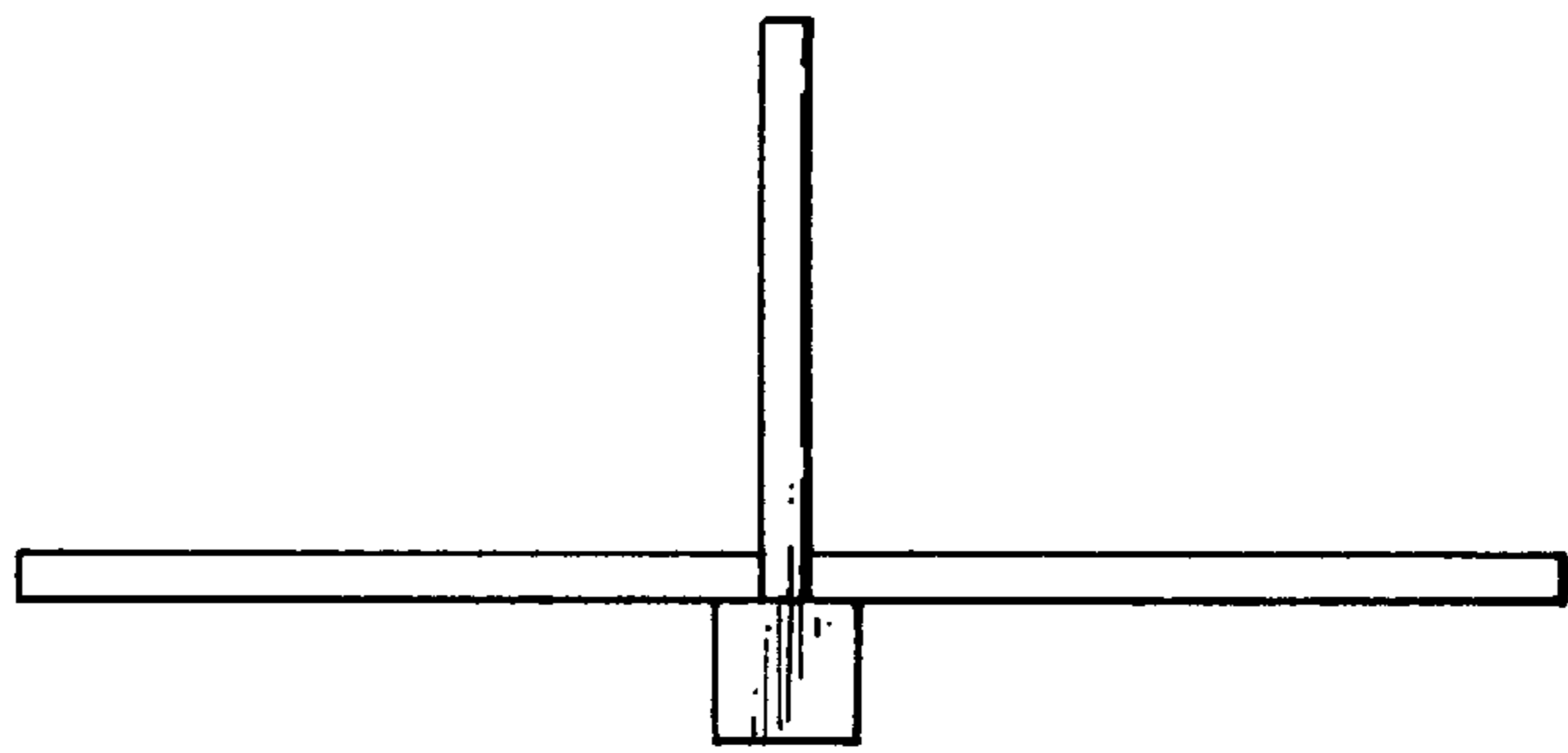


FIG. 3

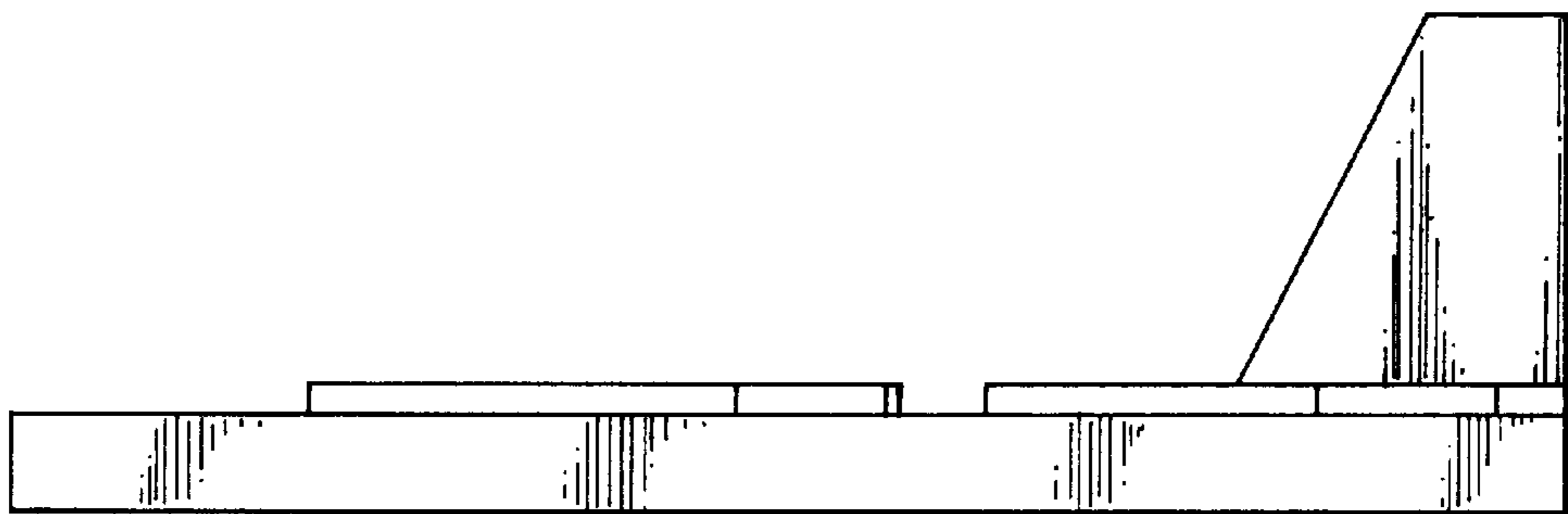


FIG. 4

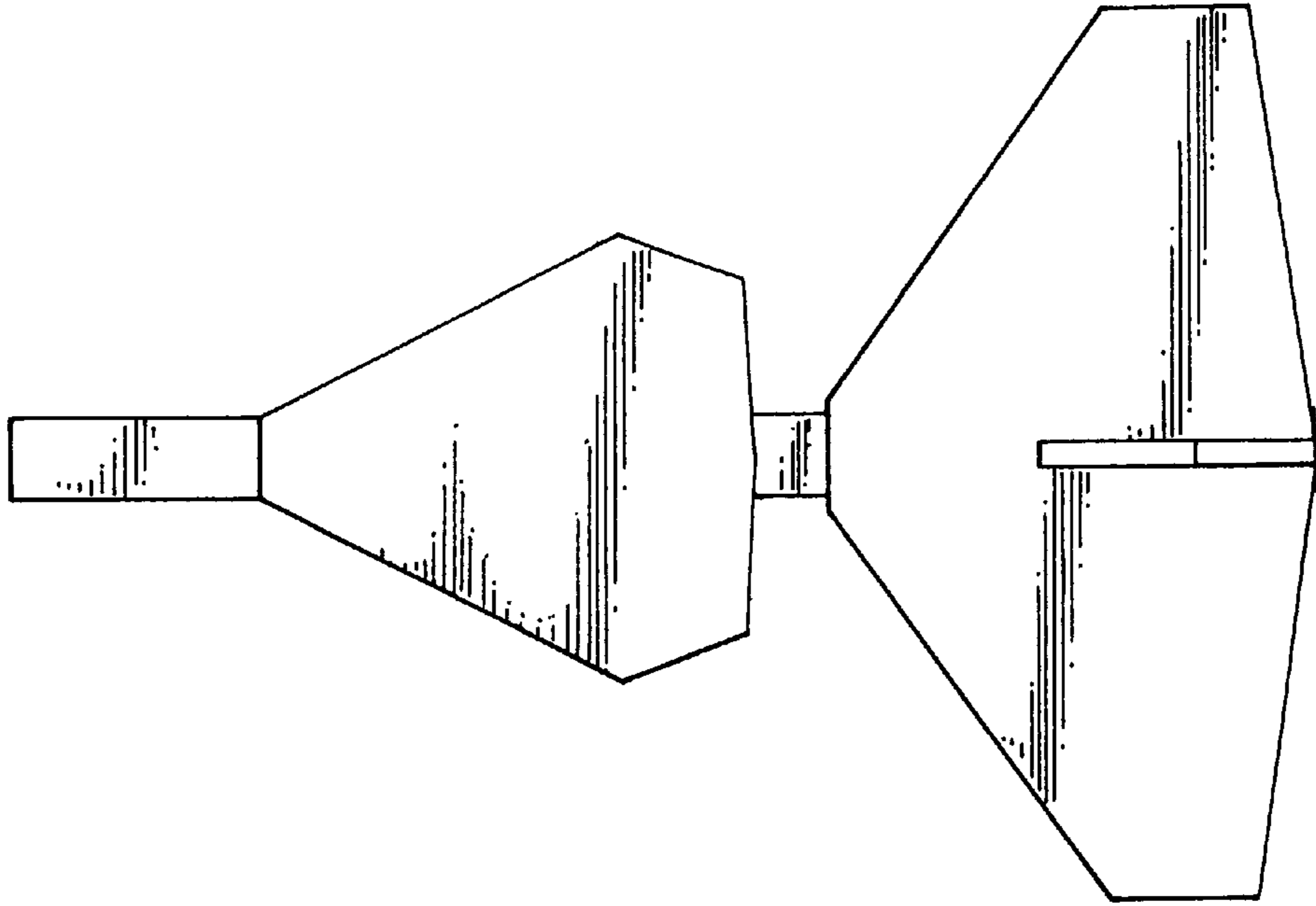


FIG. 5

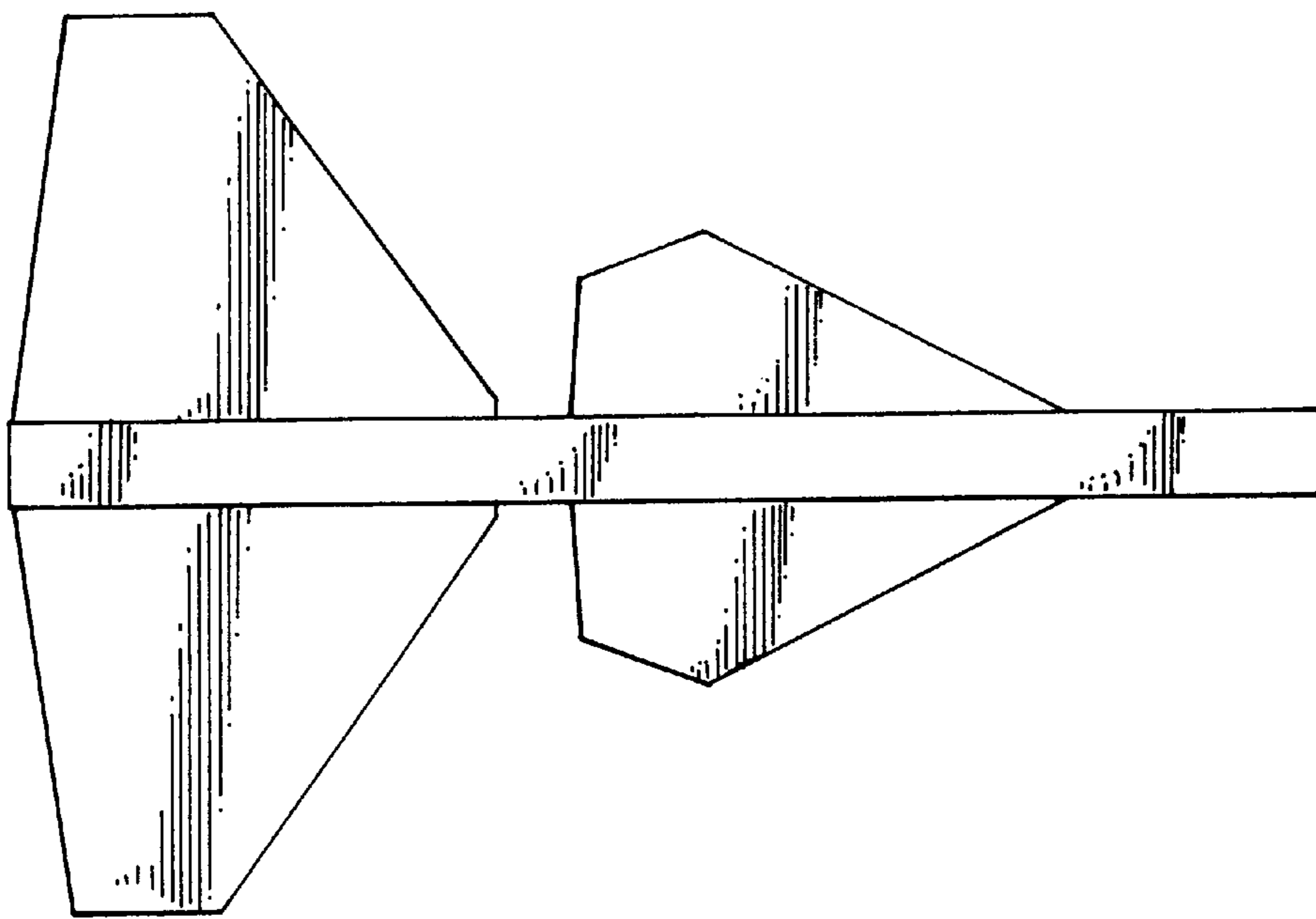


FIG. 6