



US00D410502S

United States Patent [19] Harrod

[11] **Patent Number: Des. 410,502**
[45] **Date of Patent: ** Jun. 1, 1999**

[54] **RIDE-ON TOY VEHICLE**

[75] Inventor: **Lawrence R. Harrod**, Fort Wayne, Ind.

[73] Assignee: **Mattel, Inc.**, El Segundo, Calif.

[**] Term: **14 Years**

[21] Appl. No.: **29/048,858**

[22] Filed: **Jan. 11, 1996**

[51] **LOC (6) Cl. 21-01**

[52] **U.S. Cl. D21/433**

[58] **Field of Search D21/71, 76, 78,
D21/79, 128, 134, 136, 137; D12/87, 91;
446/37, 163, 456, 462, 465, 470; 280/828**

[56] **References Cited**

U.S. PATENT DOCUMENTS

D. 203,745	2/1966	Meyers	D12/87
D. 230,970	3/1974	Loiselle	D12/87
D. 285,466	9/1986	Ohno	D21/136
D. 299,666	1/1989	Harrod	D21/134
D. 314,997	2/1991	Harrod	D21/134
D. 328,317	7/1992	Harrod	D21/76

OTHER PUBLICATIONS

Sears Wishbook 1992, p. 580 Jeep "A".
Sears Wishbook 1992 p. 579 Riding Toy "G" and "J".

Primary Examiner—Raphael Barkai
Attorney, Agent, or Firm—Kolisch, Hartwell, Dickinson,
McCormack & Heuser

[57] **CLAIM**

The ornamental design for a ride-on toy vehicle, as shown and described.

DESCRIPTION

FIG. 1 is a perspective view of a ride-on toy vehicle showing my new design;
FIG. 2 is a side elevational view thereof;
FIG. 3 is a side elevational view of the opposite side of that shown in FIG. 2;
FIG. 4 is a top plan view thereof;
FIG. 5 is a front elevational view thereof;
FIG. 6 is a rear elevational view thereof; and,
FIG. 7 is a bottom plan view thereof.

1 Claim, 4 Drawing Sheets

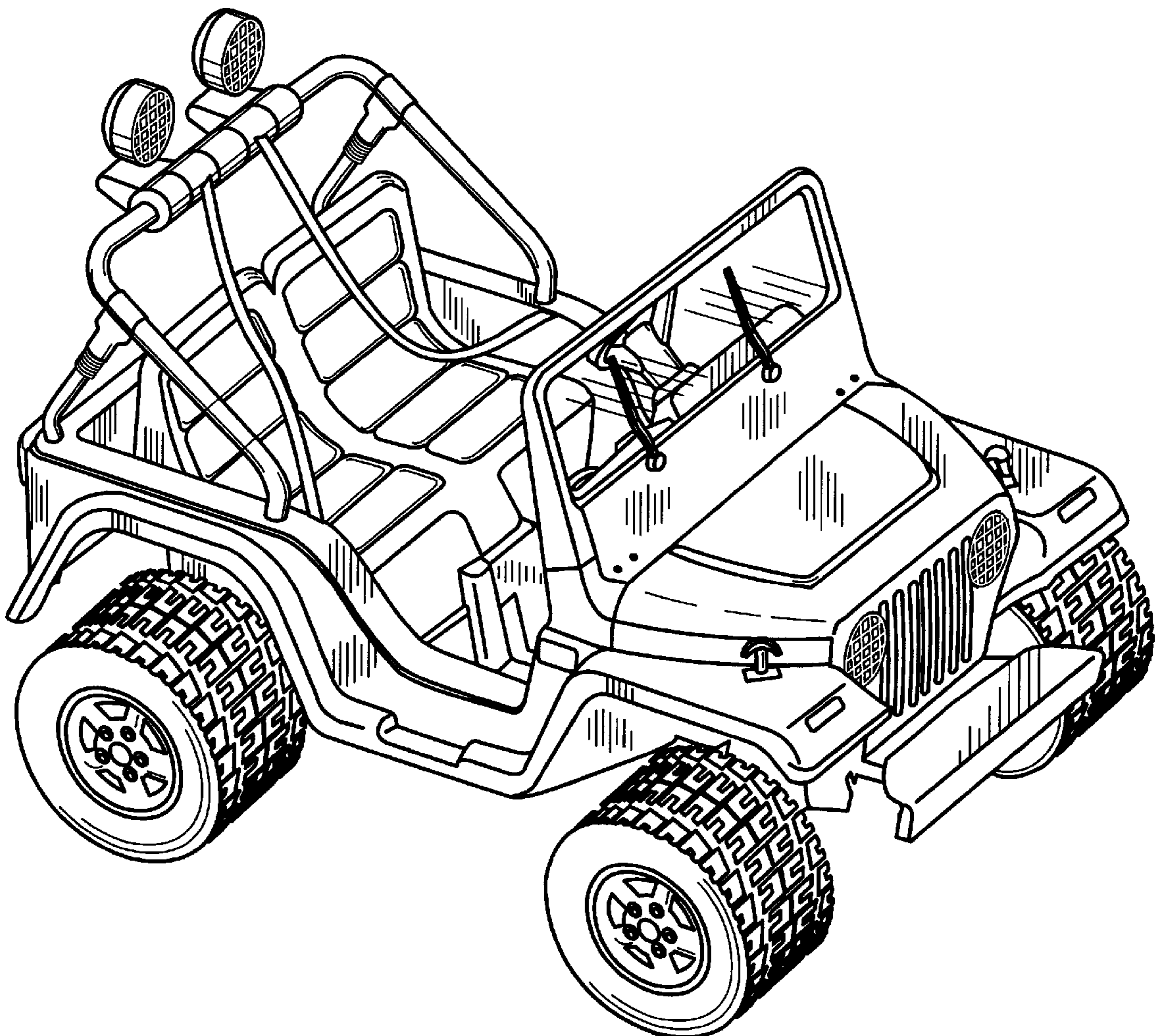


Fig. 1

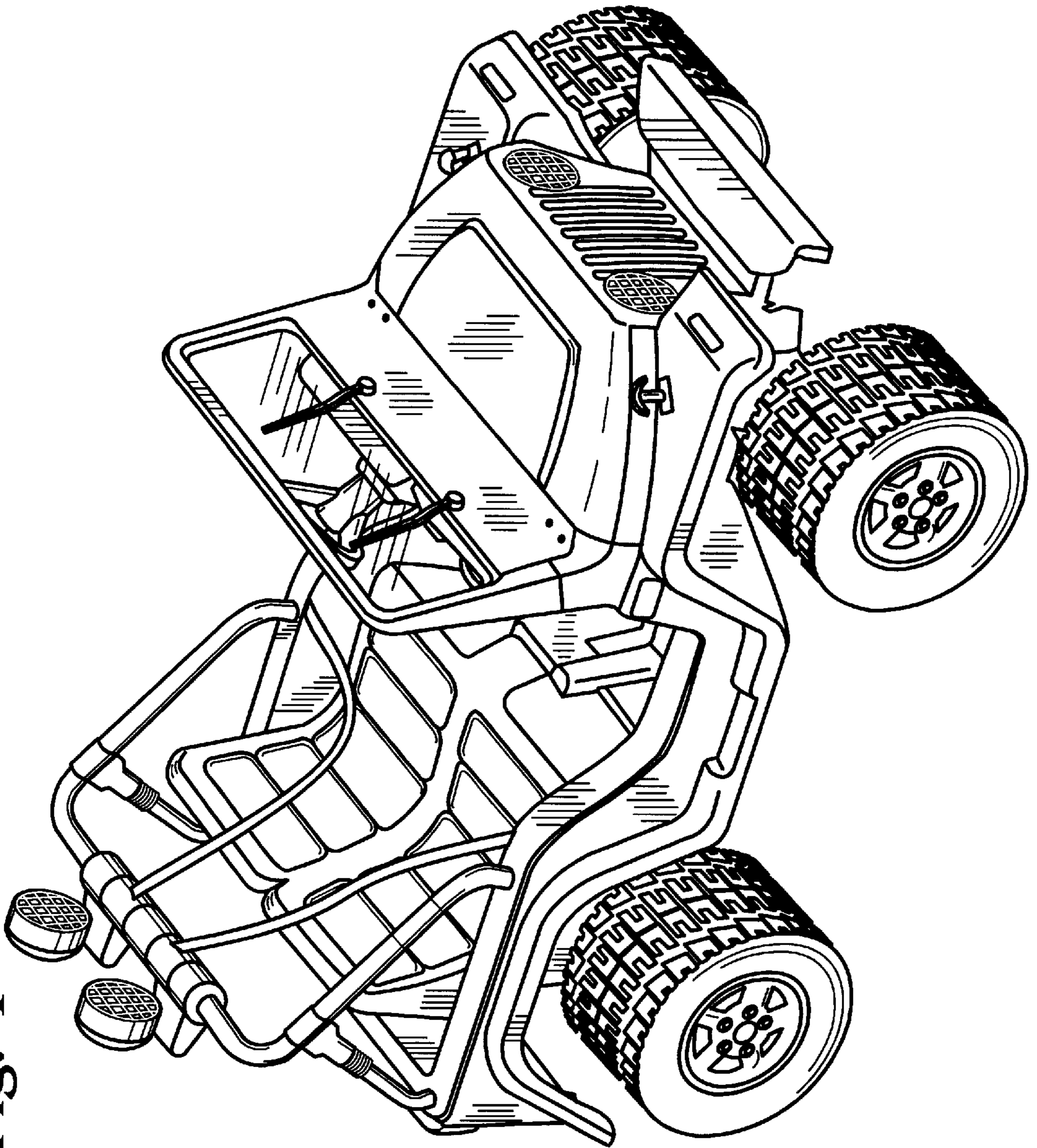


Fig. 2

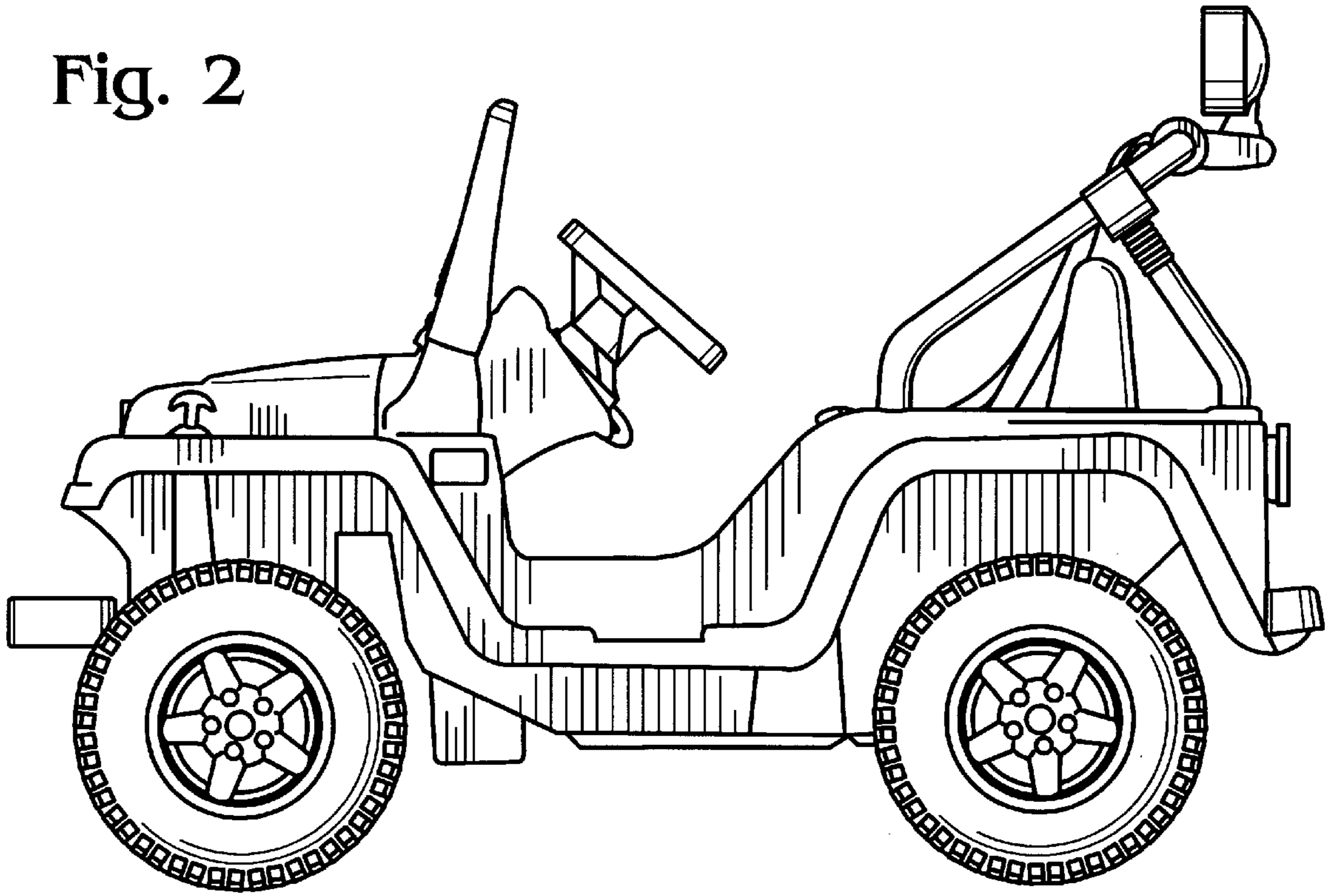


Fig. 3

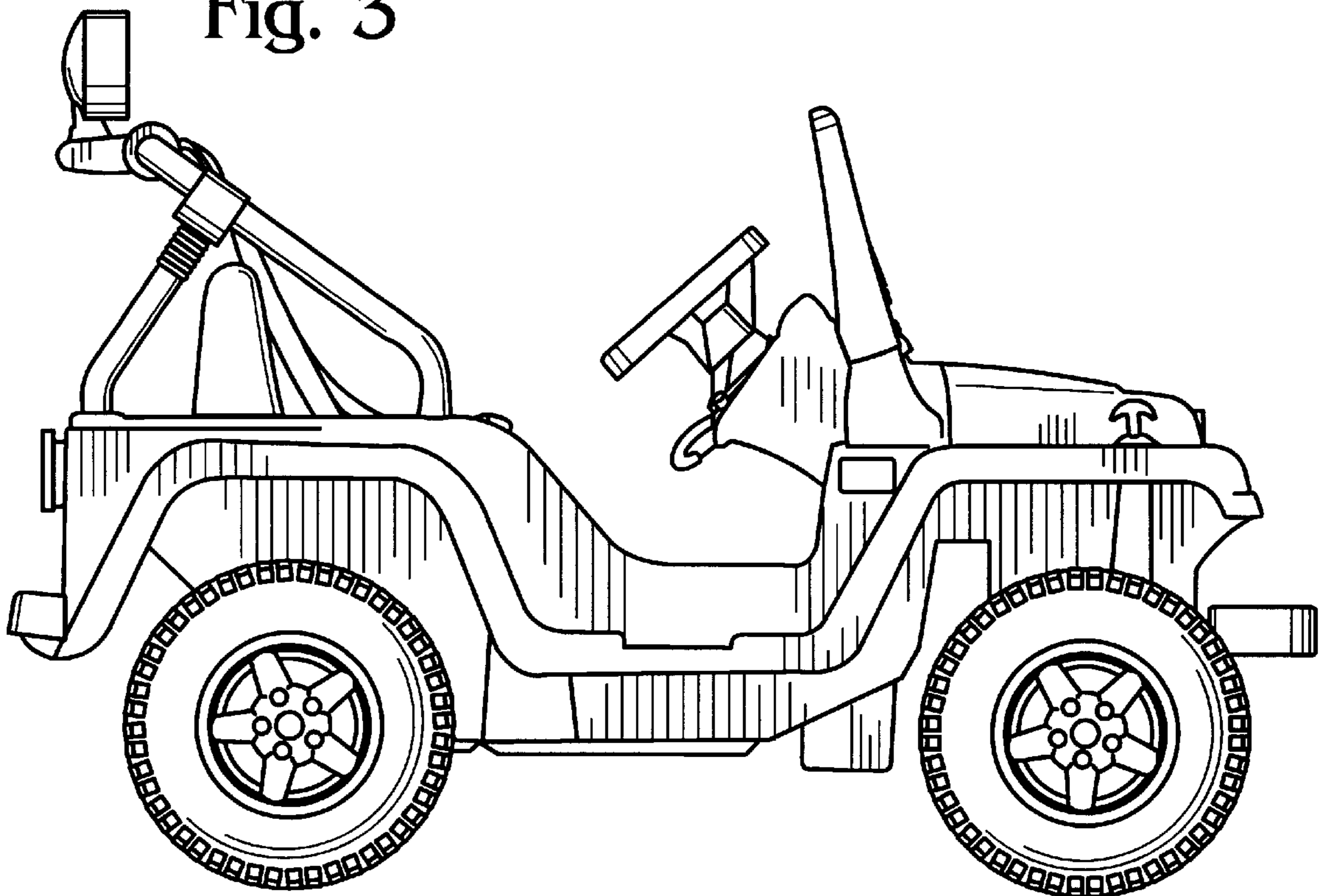


Fig. 4

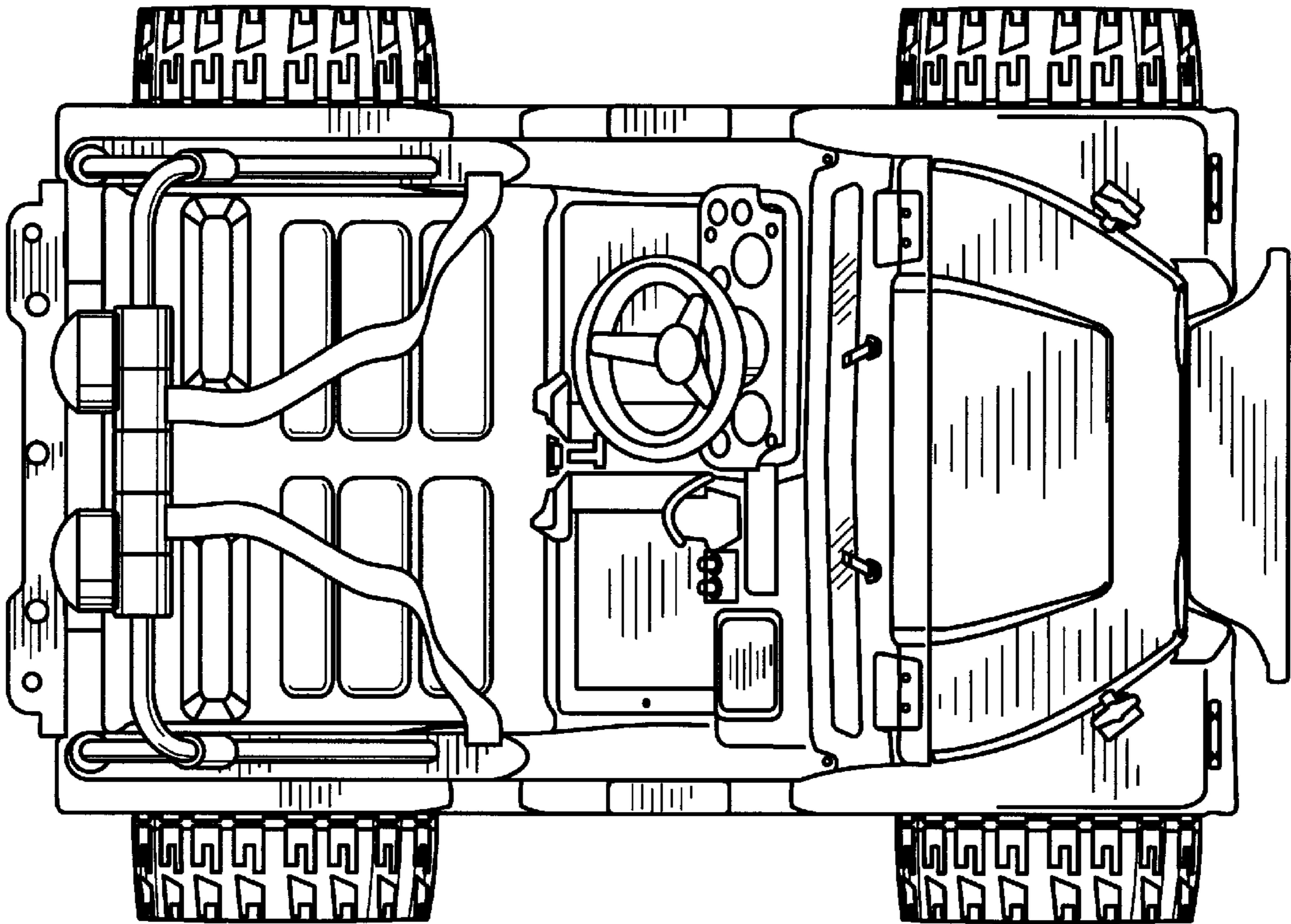


Fig. 7

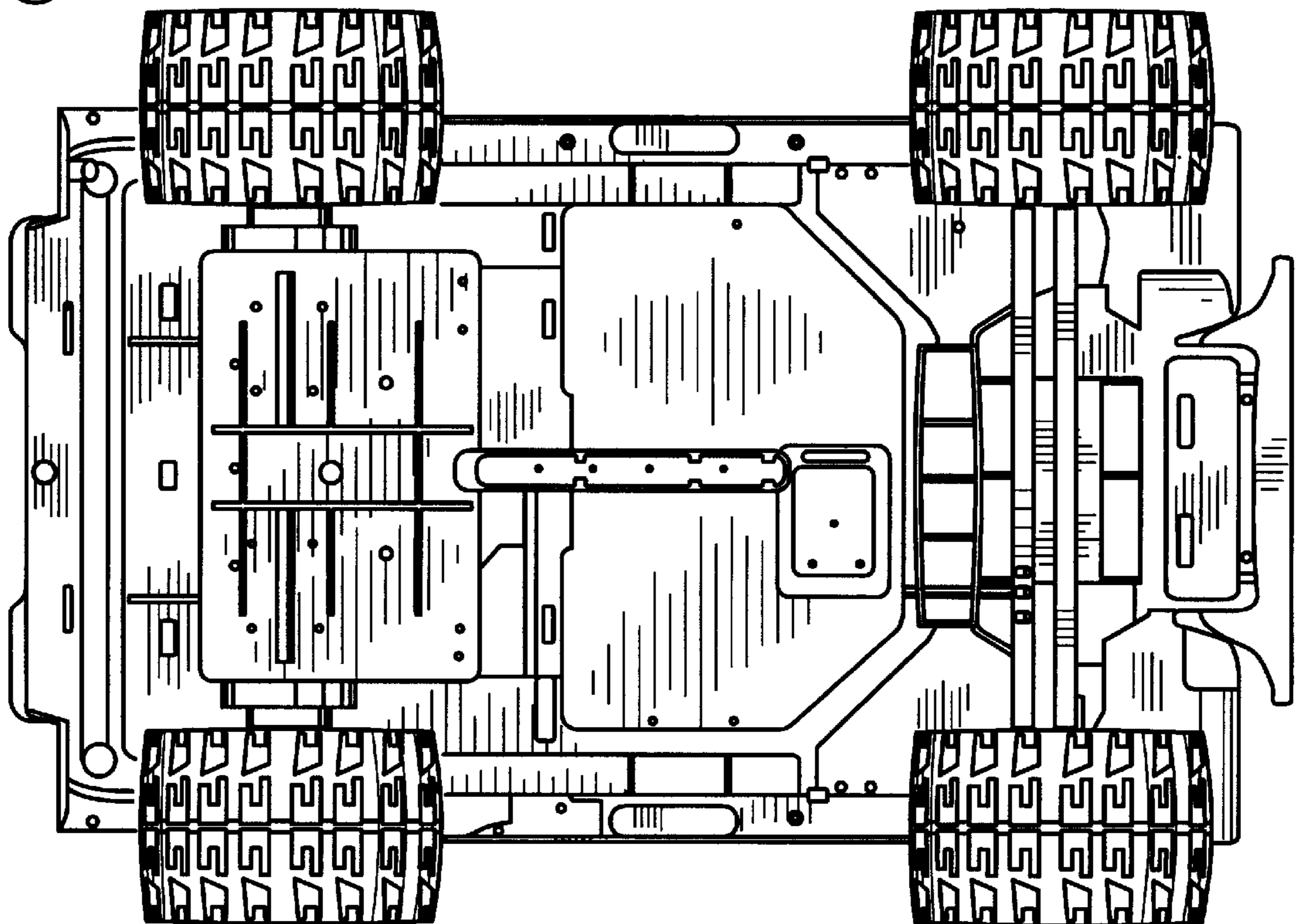


Fig. 5

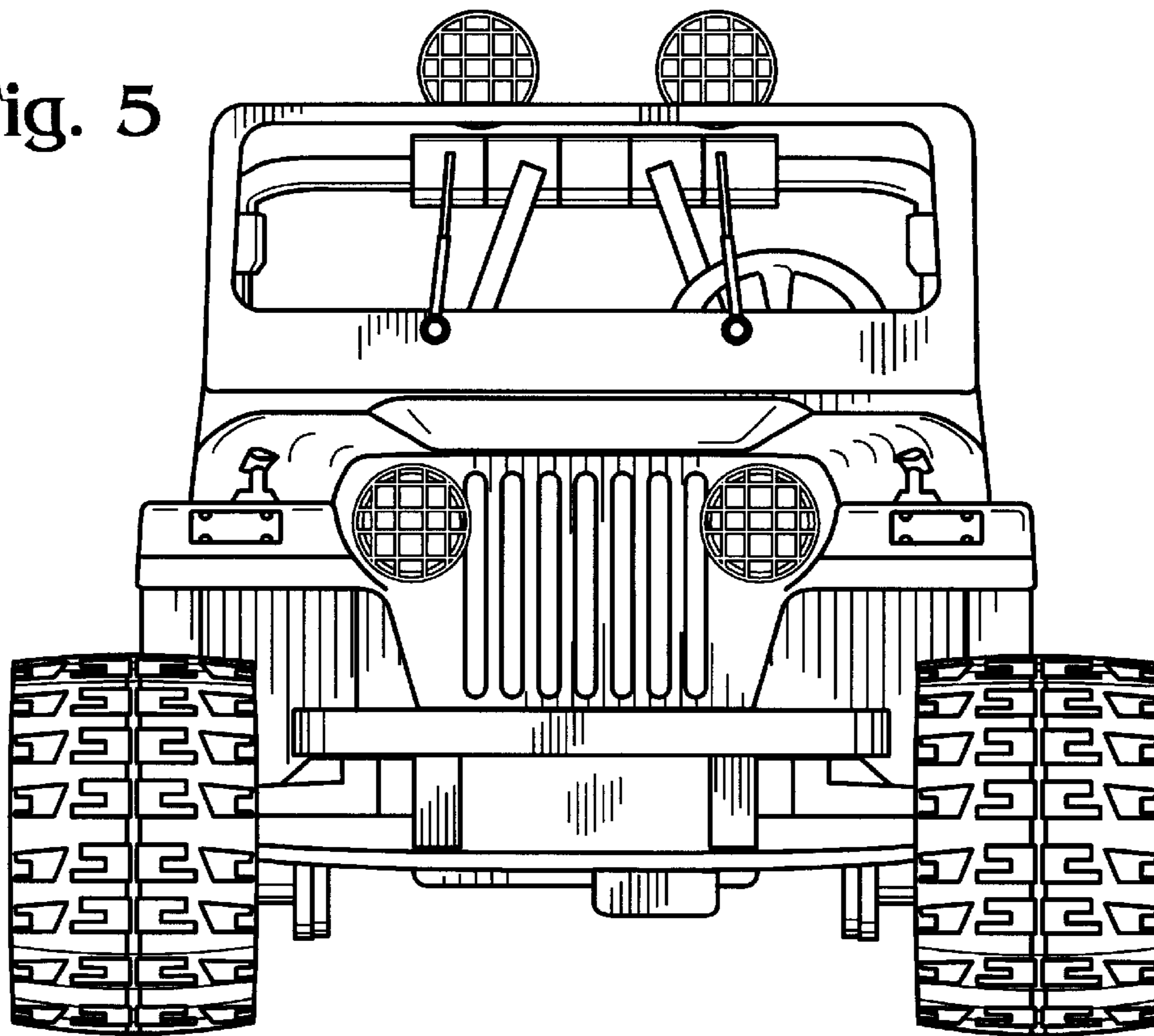


Fig. 6

