



US00D410500S

United States Patent [19]

[11] Patent Number: **Des. 410,500**

Toma et al.

[45] Date of Patent: **** Jun. 1, 1999**

[54] **PORTABLE GAME MACHINE**

[75] Inventors: **Kenichi Toma; Akitoshi Oikawa**, both of Tokyo, Japan

[73] Assignee: **Sega Enterprises, Ltd.**, Tokyo, Japan

[**] Term: **14 Years**

[21] Appl. No.: **29/095,939**

[22] Filed: **Nov. 2, 1998**

[30] **Foreign Application Priority Data**

May 7, 1998 [JP] Japan 10-12914

[51] **LOC (6) Cl.** **21-01**

[52] **U.S. Cl.** **D21/329**

[58] **Field of Search** D21/324, 329, D21/330; D14/117.8, 117.9; 463/2, 29-35, 46, 47

- D. 342,762 12/1993 Wing .
- D. 349,929 8/1994 Lee .
- D. 361,602 8/1995 Lee .
- D. 362,692 9/1995 Rissman et al. D21/329
- D. 370,237 5/1996 Gilliam et al. .
- D. 383,798 9/1997 Yokoi et al. .
- D. 394,461 5/1998 Li D21/329
- D. 394,883 6/1998 Tsui .
- 5,046,739 9/1991 Reichow 273/148 X
- 5,184,830 2/1993 Okada et al. D21/331 X

OTHER PUBLICATIONS

Hongkong Enterprise, p. 174, Oct. 1992.

Primary Examiner—Prabhakar Deshmukh

Attorney, Agent, or Firm—Dickstein Shapiro Morin & Oshinsky, LLP

[57] **CLAIM**

The ornamental design for the portable game machine, as shown and described.

DESCRIPTION

FIG. 1 is a front, top and right side perspective view of a portable game machine showing our new design;
 FIG. 2 is a bottom, rear and left side perspective view thereof;
 FIG. 3 is a front, top and right side perspective view for reference with a cap removed thereof;
 FIG. 4 is a front elevational view thereof;
 FIG. 5 is a rear elevational view thereof;
 FIG. 6 is a top plan view thereof;
 FIG. 7 is a bottom plan view thereof;
 FIG. 8 is a left side elevational view thereof; and,
 FIG. 9 is a right side elevational view thereof.

1 Claim, 7 Drawing Sheets

[56] **References Cited**

U.S. PATENT DOCUMENTS

- D. 264,099 4/1982 Hanzawa .
- D. 264,229 5/1982 Hanzawa .
- D. 264,356 5/1982 Nagel .
- D. 265,102 6/1982 Sato .
- D. 265,326 7/1982 Sugiyama .
- D. 265,407 7/1982 Hanzawa .
- D. 280,322 8/1985 Velinsky .
- D. 310,390 9/1990 Besasie .
- D. 318,884 8/1991 Kojo .
- D. 328,474 8/1992 Chen D21/331
- D. 329,062 9/1992 Chin .
- D. 332,804 1/1993 Liu D21/331
- D. 334,218 3/1993 Lee .

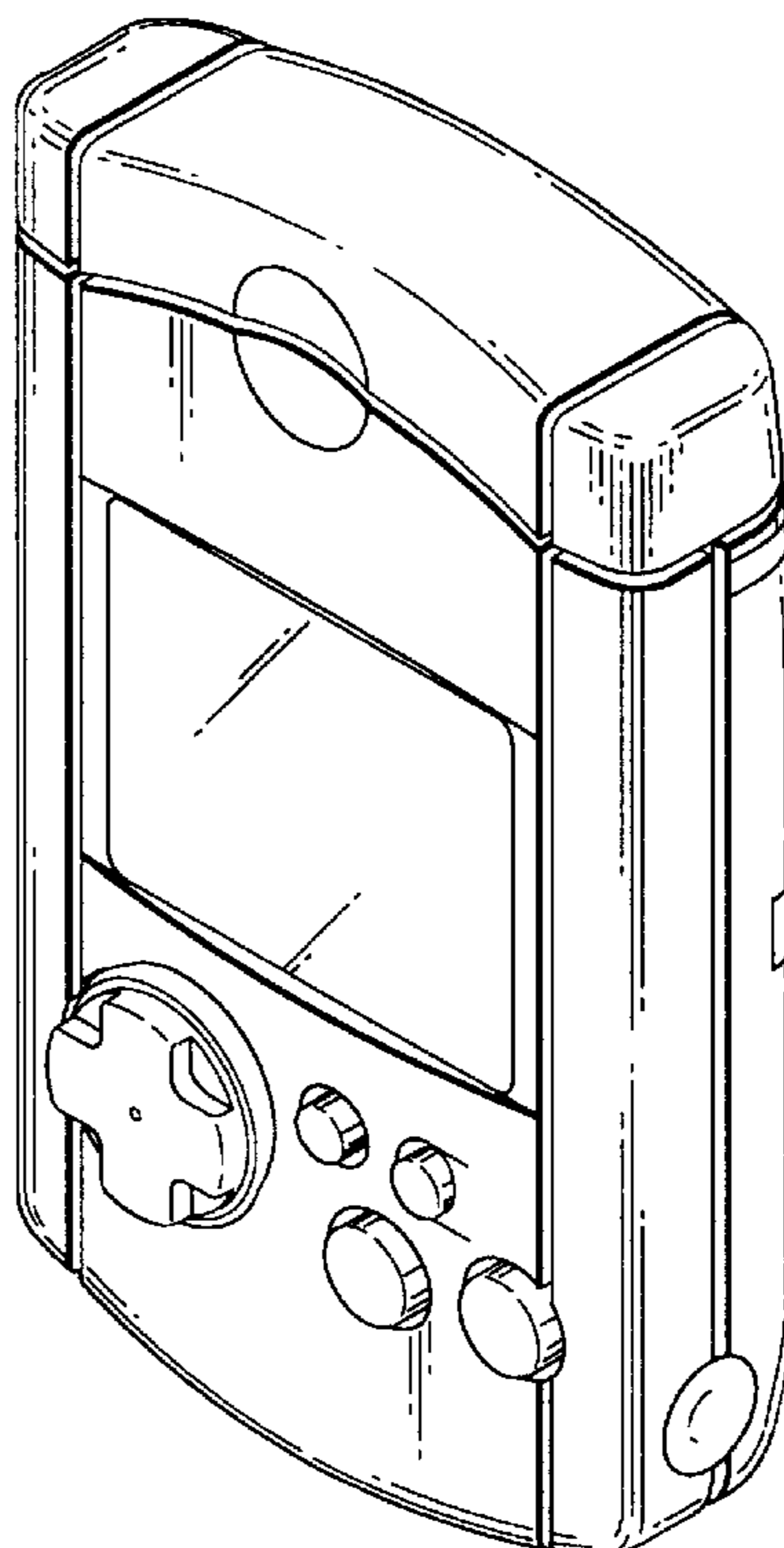


FIG. 1

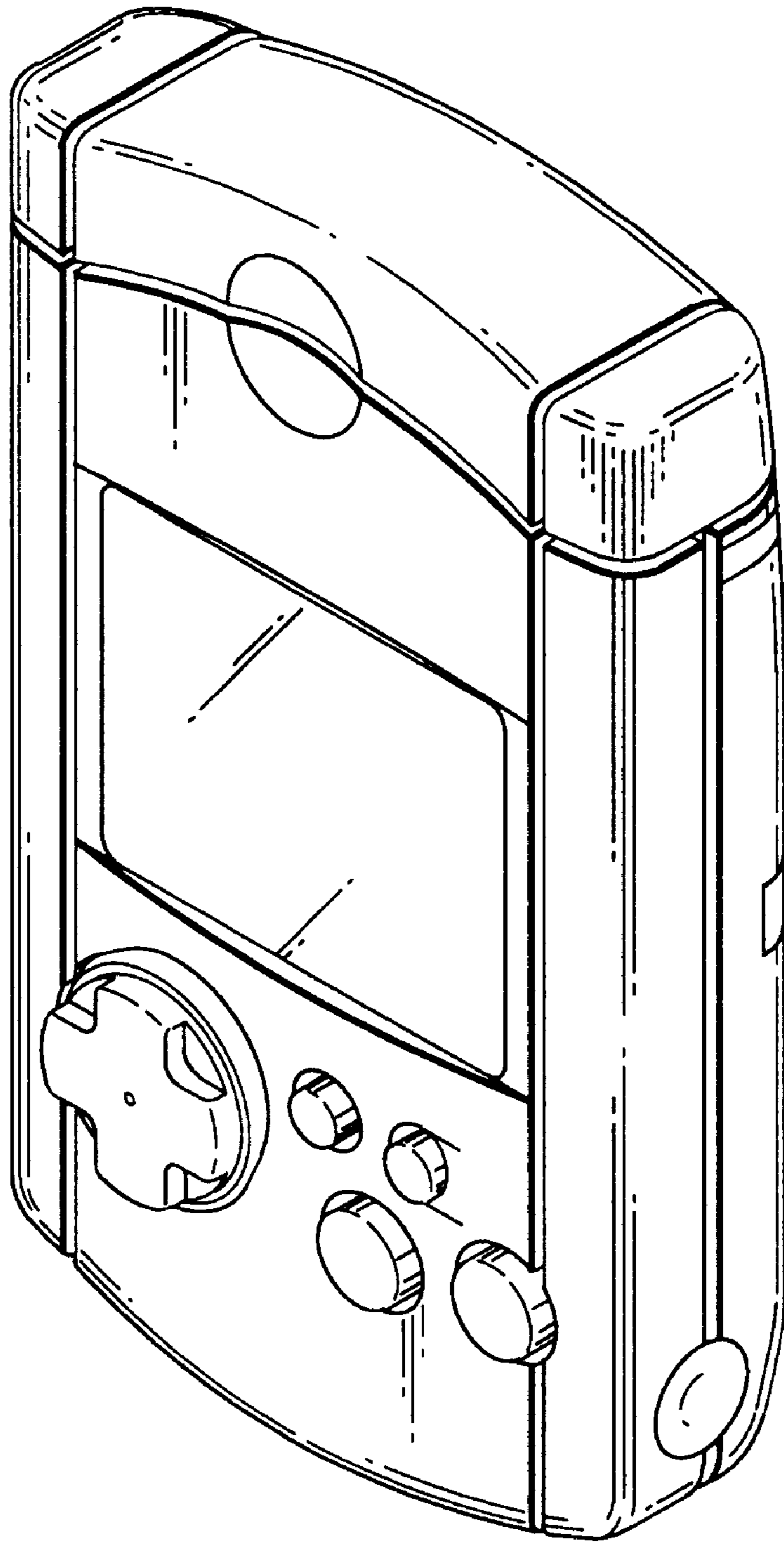


FIG. 2

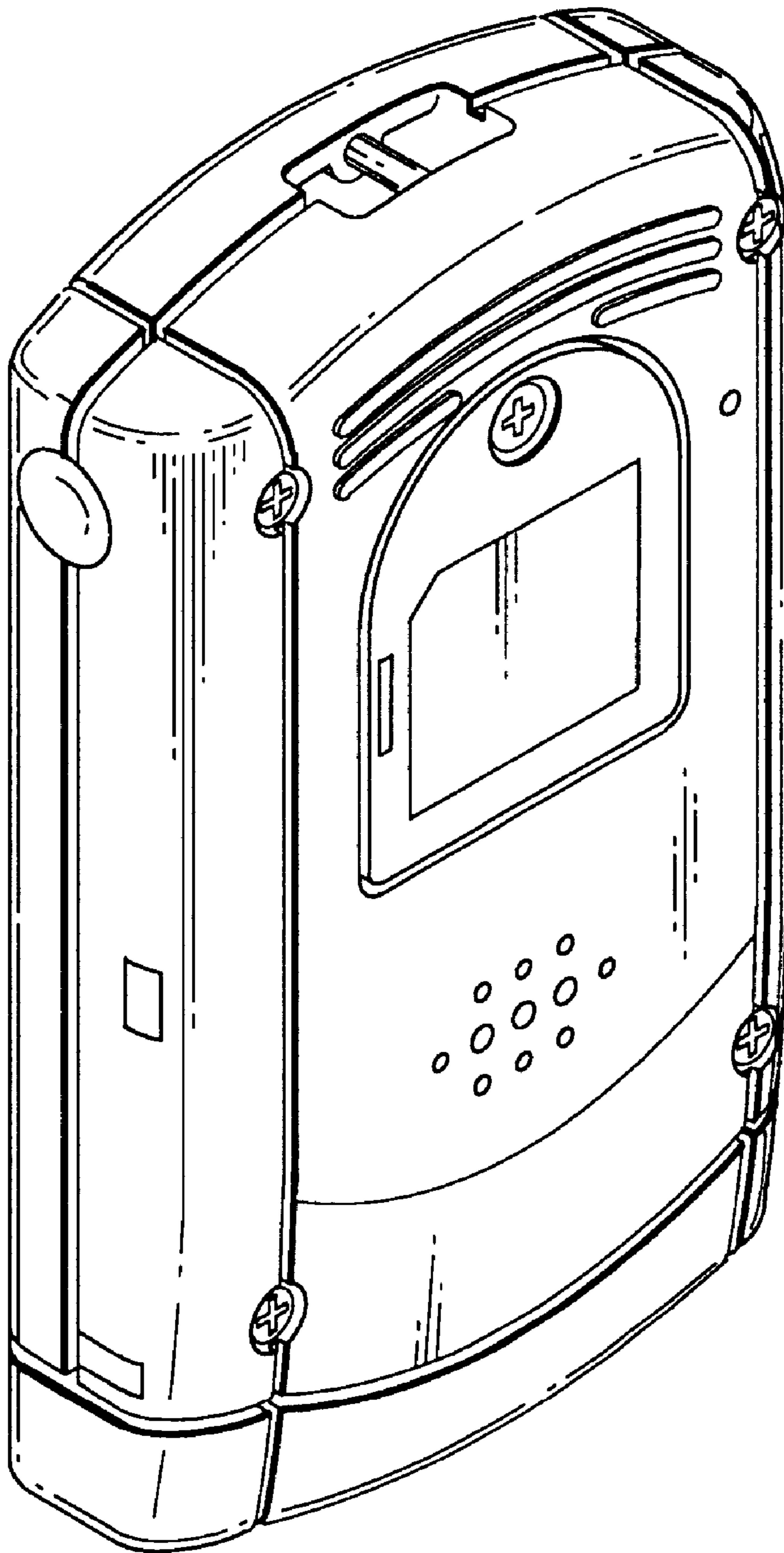


FIG. 3

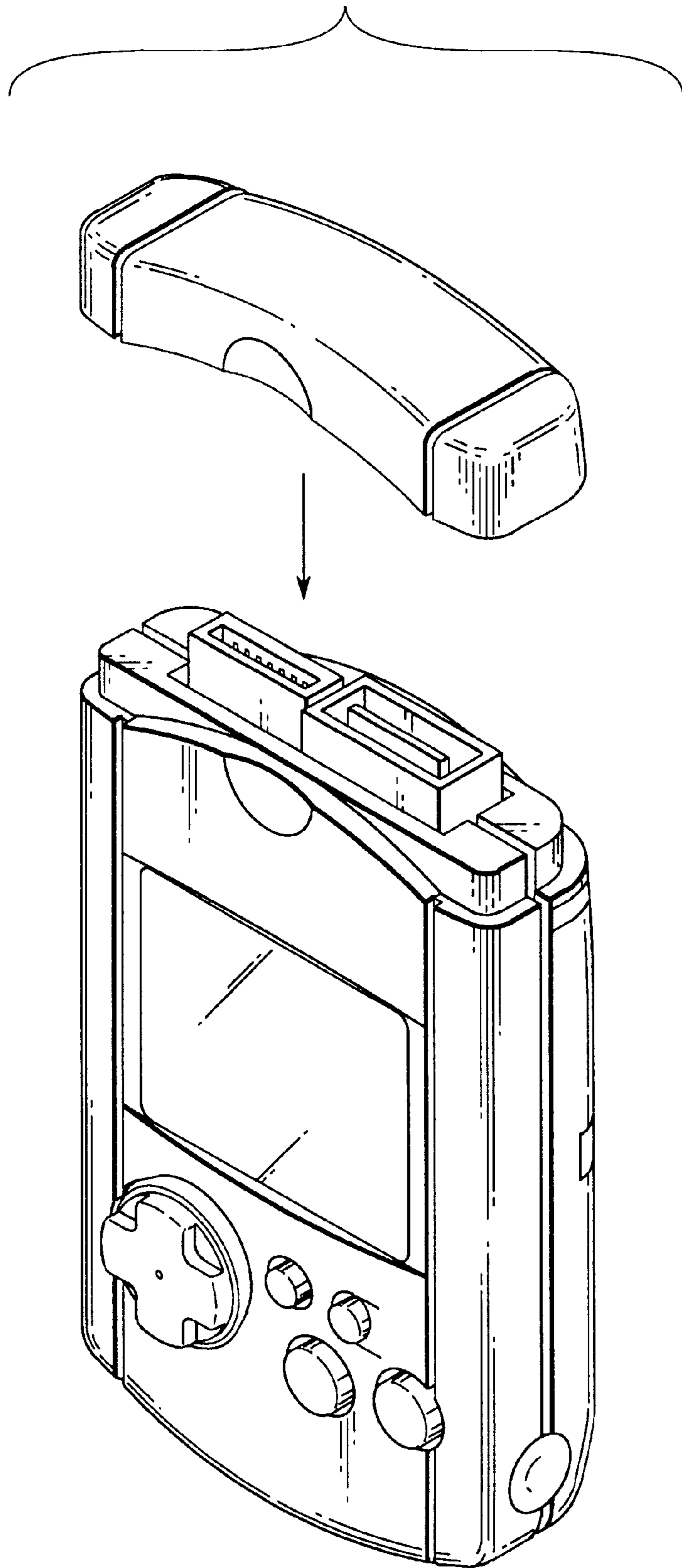


FIG. 4

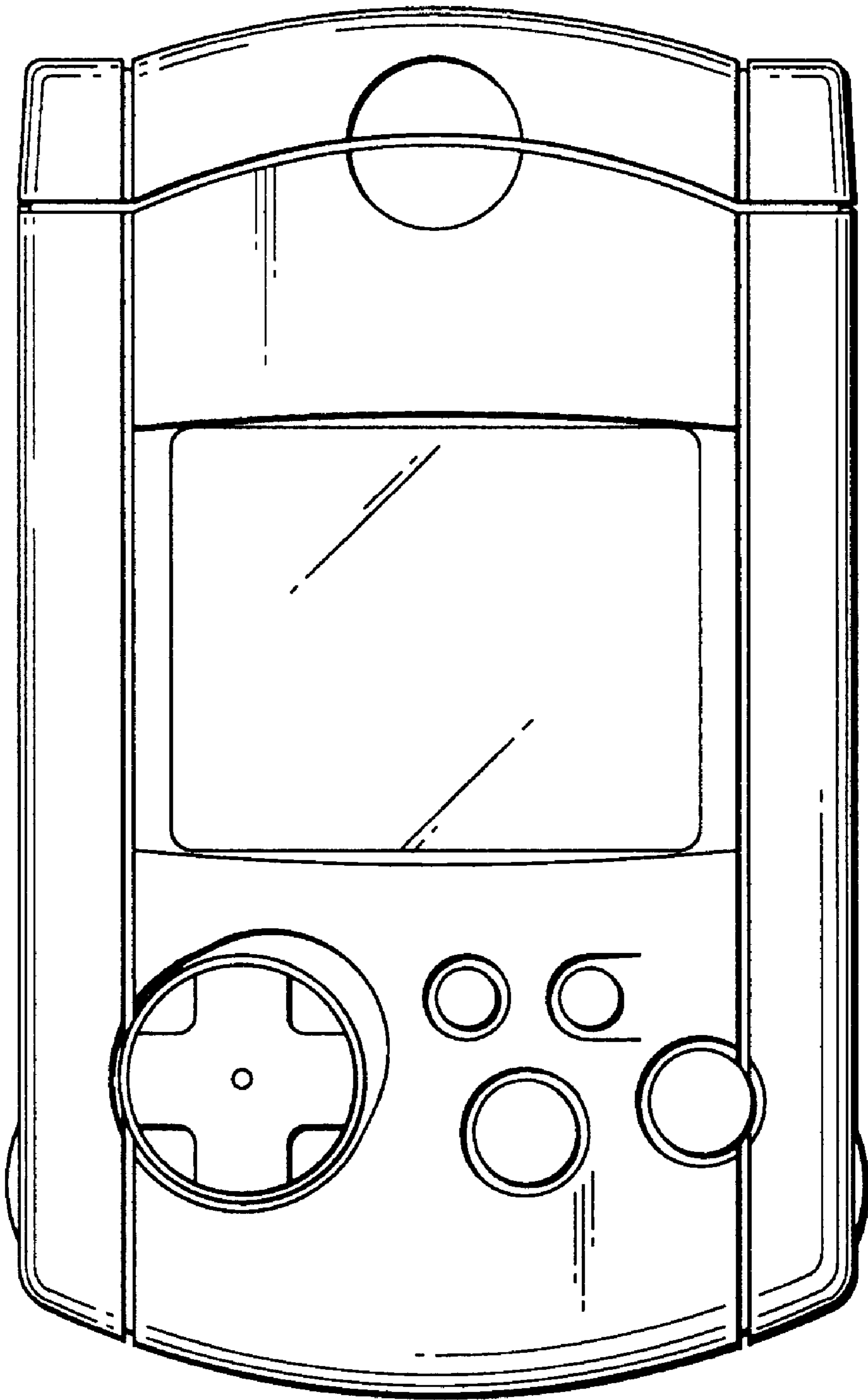


FIG. 5

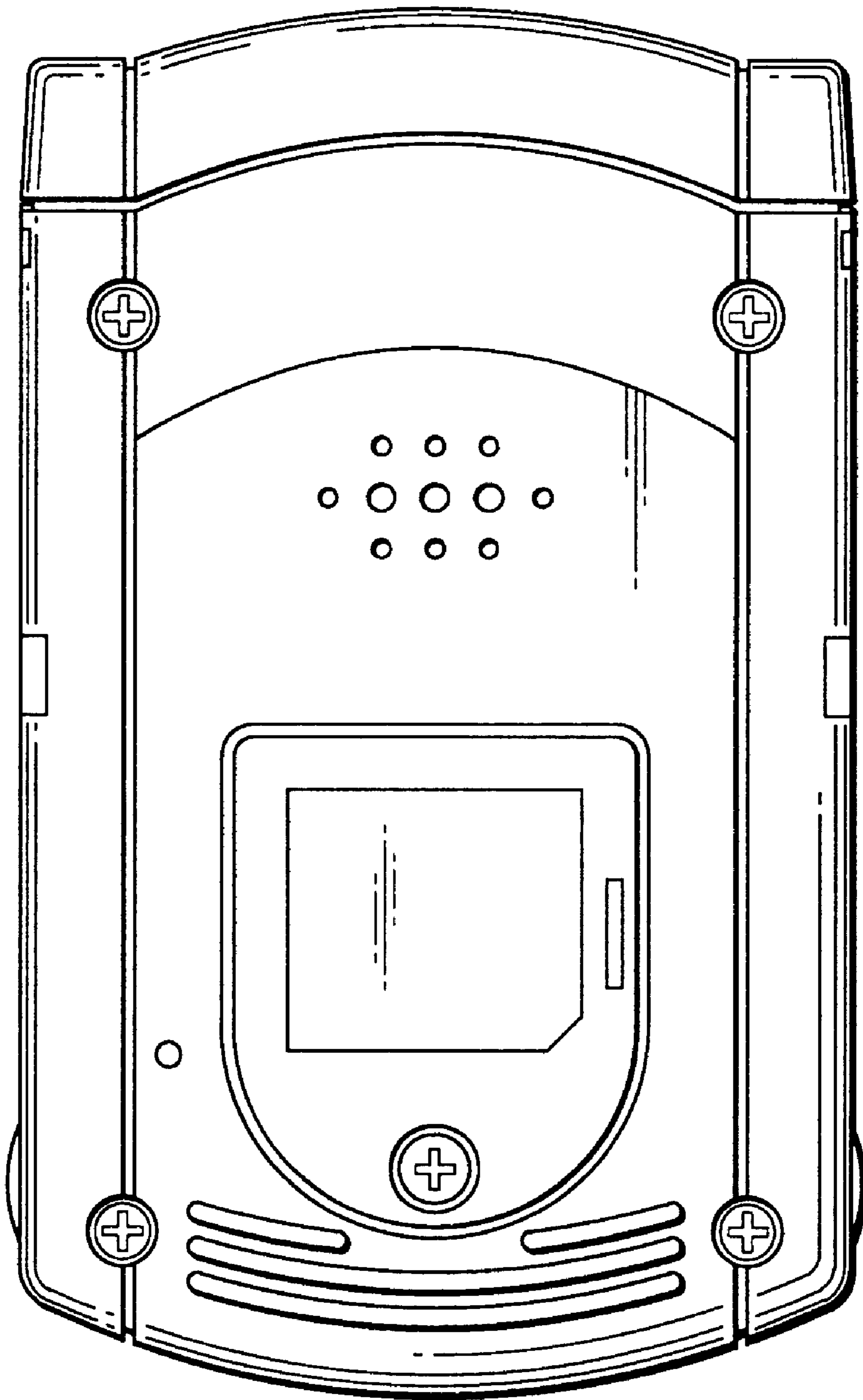


FIG. 6



FIG. 7

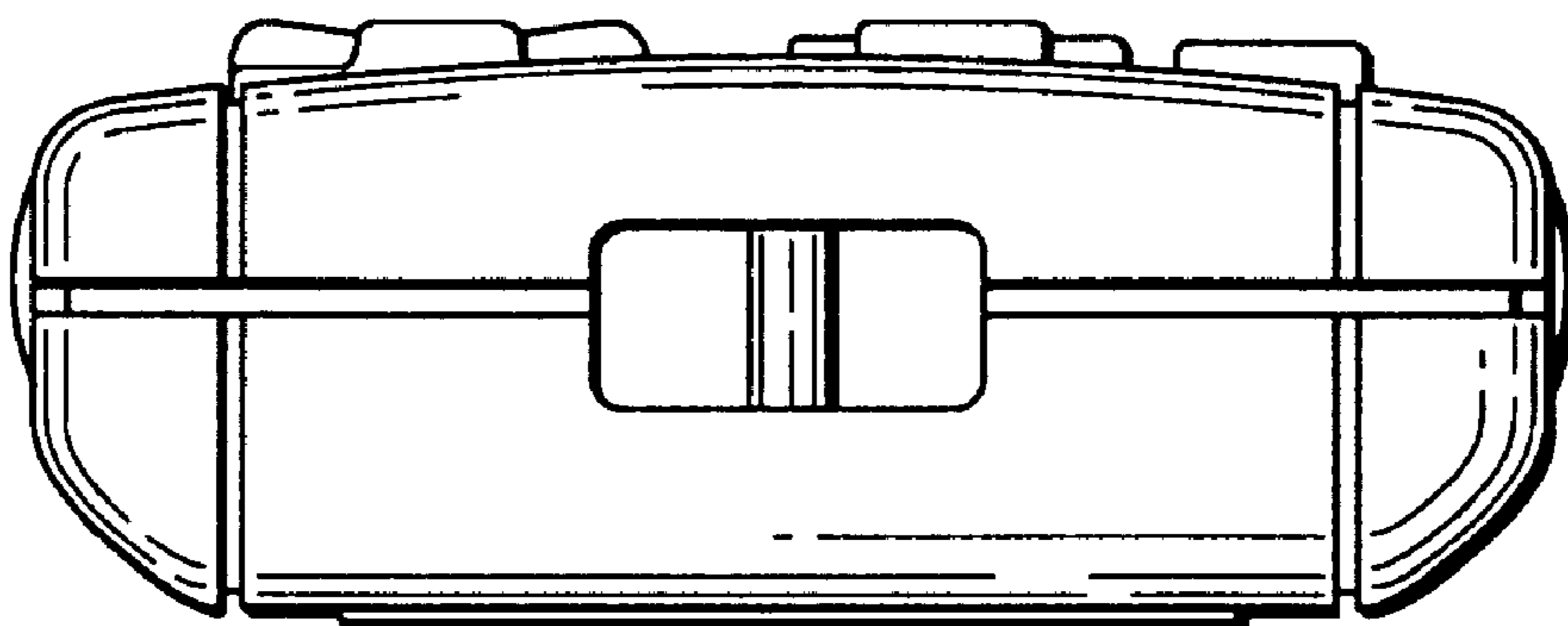


FIG. 8

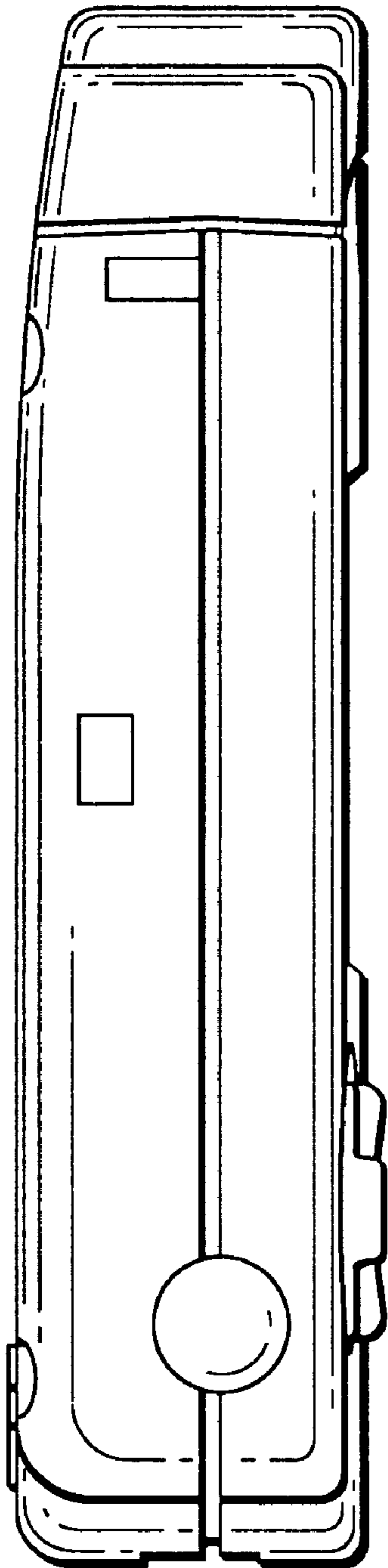


FIG. 9

