



US00D410497S

United States Patent [19] Wear

[11] **Patent Number: Des. 410,497**
[45] **Date of Patent: ** Jun. 1, 1999**

[54] **MOBILE CENTER FORM**

5,797,785 8/1998 Silberstein 446/227

[75] Inventor: **Stuart C. W. Wear**, St. Louis Park, Minn.

Primary Examiner—Paula A. Mortimer
Attorney, Agent, or Firm—Patterson & Keough, P.A.

[73] Assignee: **Popco, Inc.**, Minneapolis, Minn.

[57] **CLAIM**

[**] Term: **14 Years**

The ornamental design for mobile center form, as shown and described.

[21] Appl. No.: **29/085,493**

DESCRIPTION

[22] Filed: **Mar. 24, 1998**

FIG. 1 is a perspective view of a mobile center form showing my new design;

[51] **LOC (6) Cl.** **20-02**

FIG. 2 is a top plan view thereof;

[52] **U.S. Cl.** **D20/42; D11/141; D21/467**

FIG. 3 is a side elevational view thereof;

[58] **Field of Search** D20/10, 42; D11/141; D6/302; D21/467; 40/411, 415, 617, 473, 539; 403/171; 446/227; 248/317

FIG. 4 is a bottom plan view thereof;

FIG. 5 is a side elevational view thereof;

FIG. 6 is a side elevational view of the mobile center form with the upper surface of the form disposed to the left;

FIG. 7 is a side elevational view of the mobile center form with the upper surface of the form disposed to the right;

FIG. 8 is an exploded perspective view of a modified embodiment of a mobile center form showing my new design; and,

FIG. 9 is a perspective view of FIG. 1.

The broken line showing of the mobile components in FIGS. 8 and 9 is for illustrative purposes only and forms no part of the claimed design.

[56] **References Cited**

U.S. PATENT DOCUMENTS

D. 345,380	3/1994	Wear	D20/42
D. 374,841	10/1996	Lonsky	D11/141
5,245,772	9/1993	Girardot	40/473
5,249,771	10/1993	Wear	248/317
5,361,463	11/1994	Revis	.	
5,390,889	2/1995	Hiscock	.	
5,620,274	4/1997	Wear	403/171
5,621,950	4/1997	White	.	

1 Claim, 4 Drawing Sheets

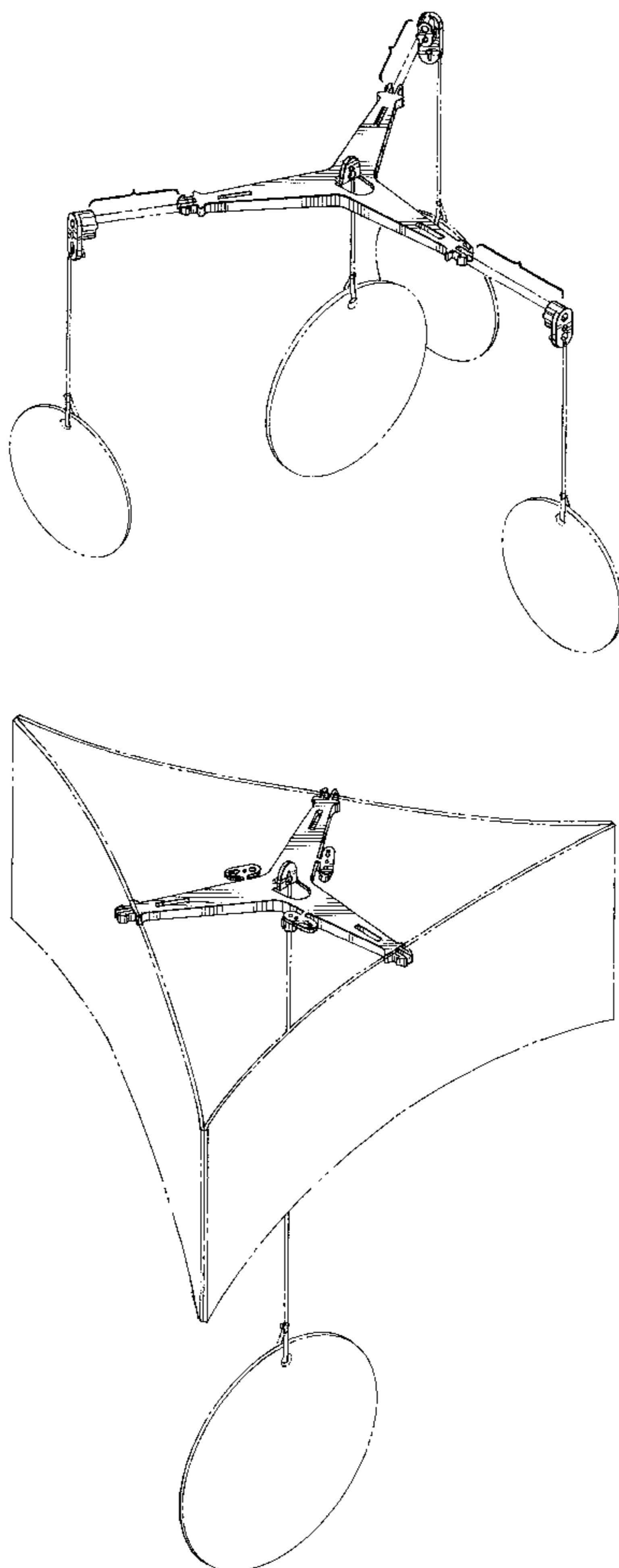


Fig. 1

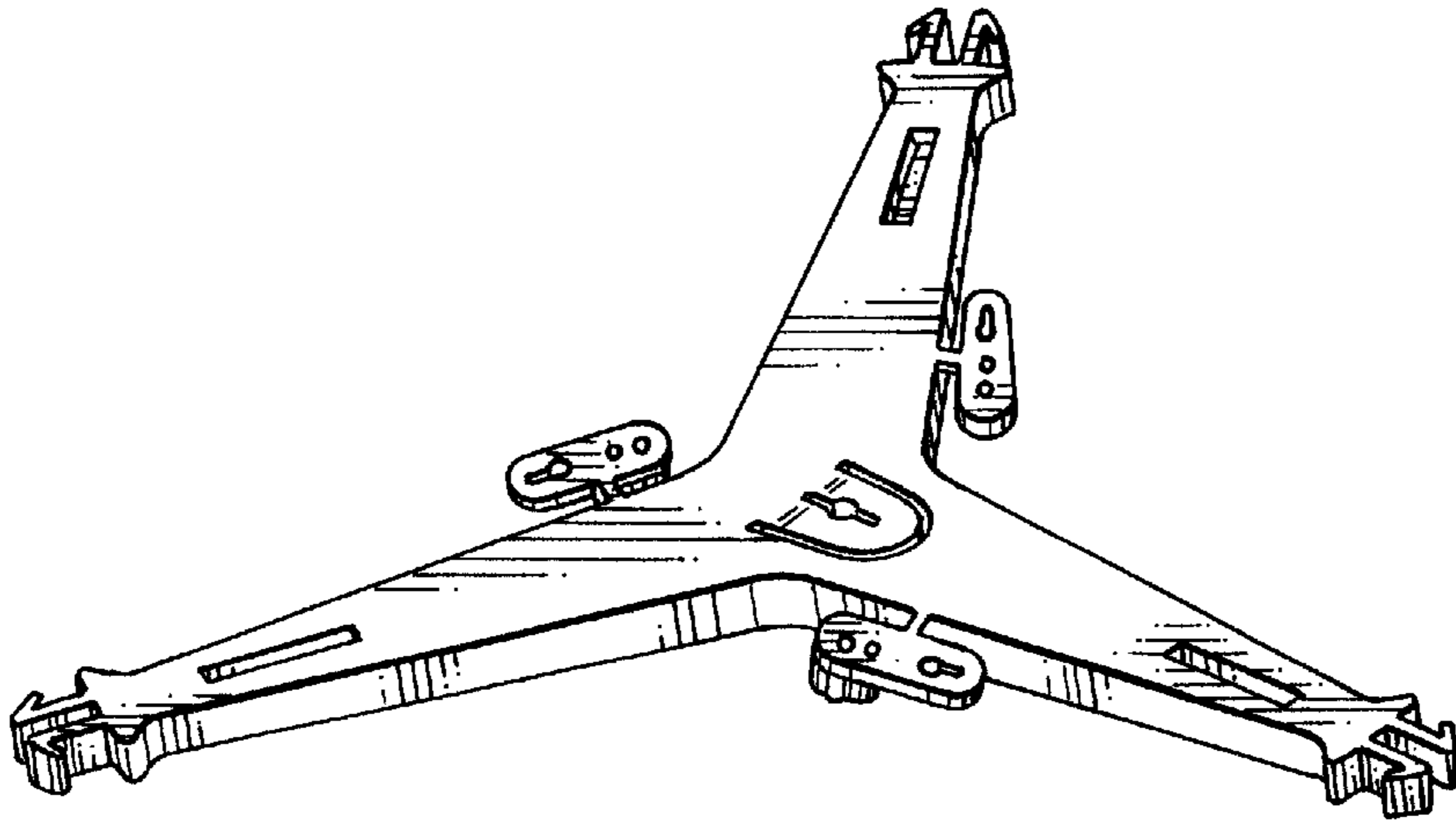


Fig. 2

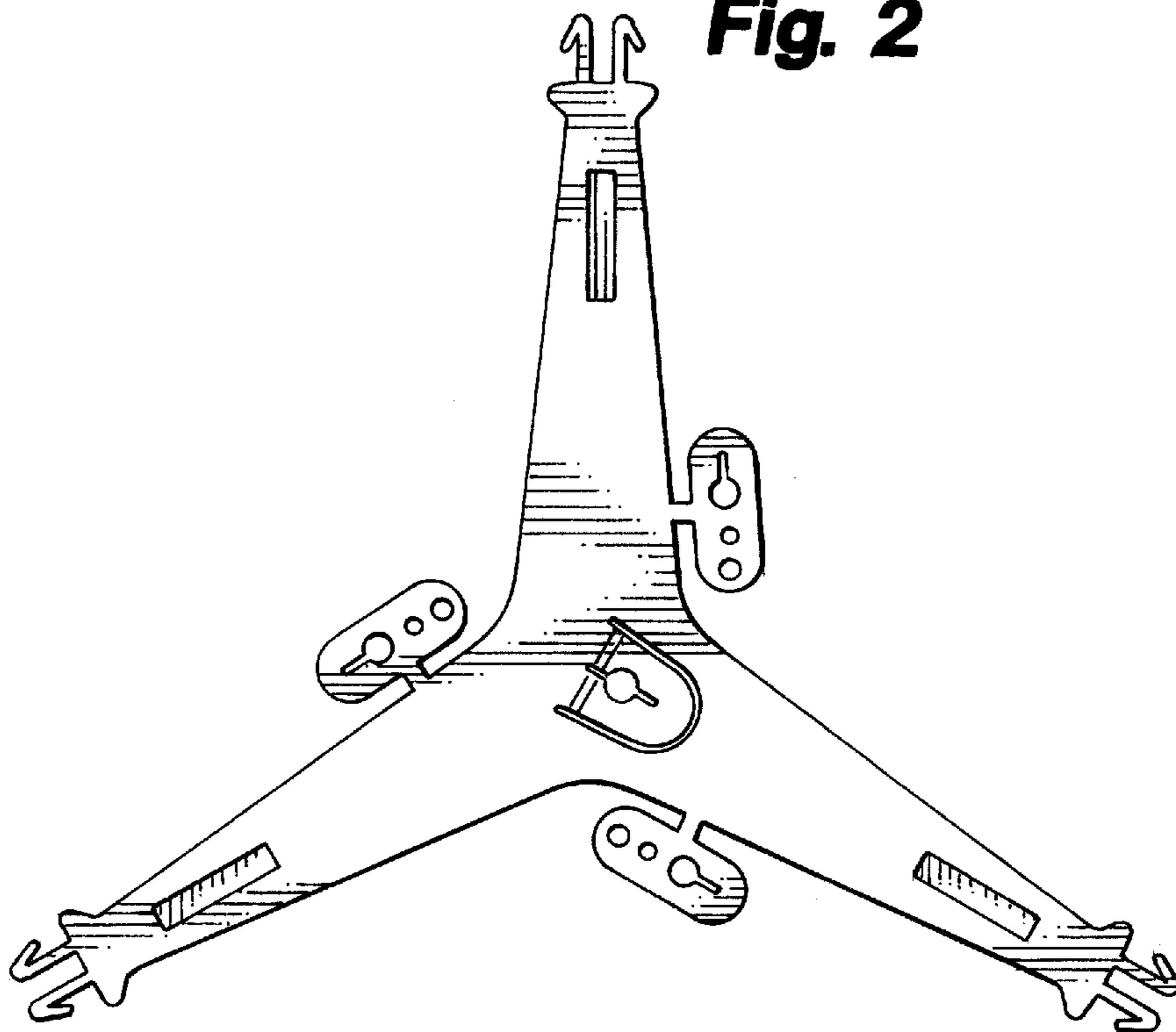


Fig. 3



Fig. 4

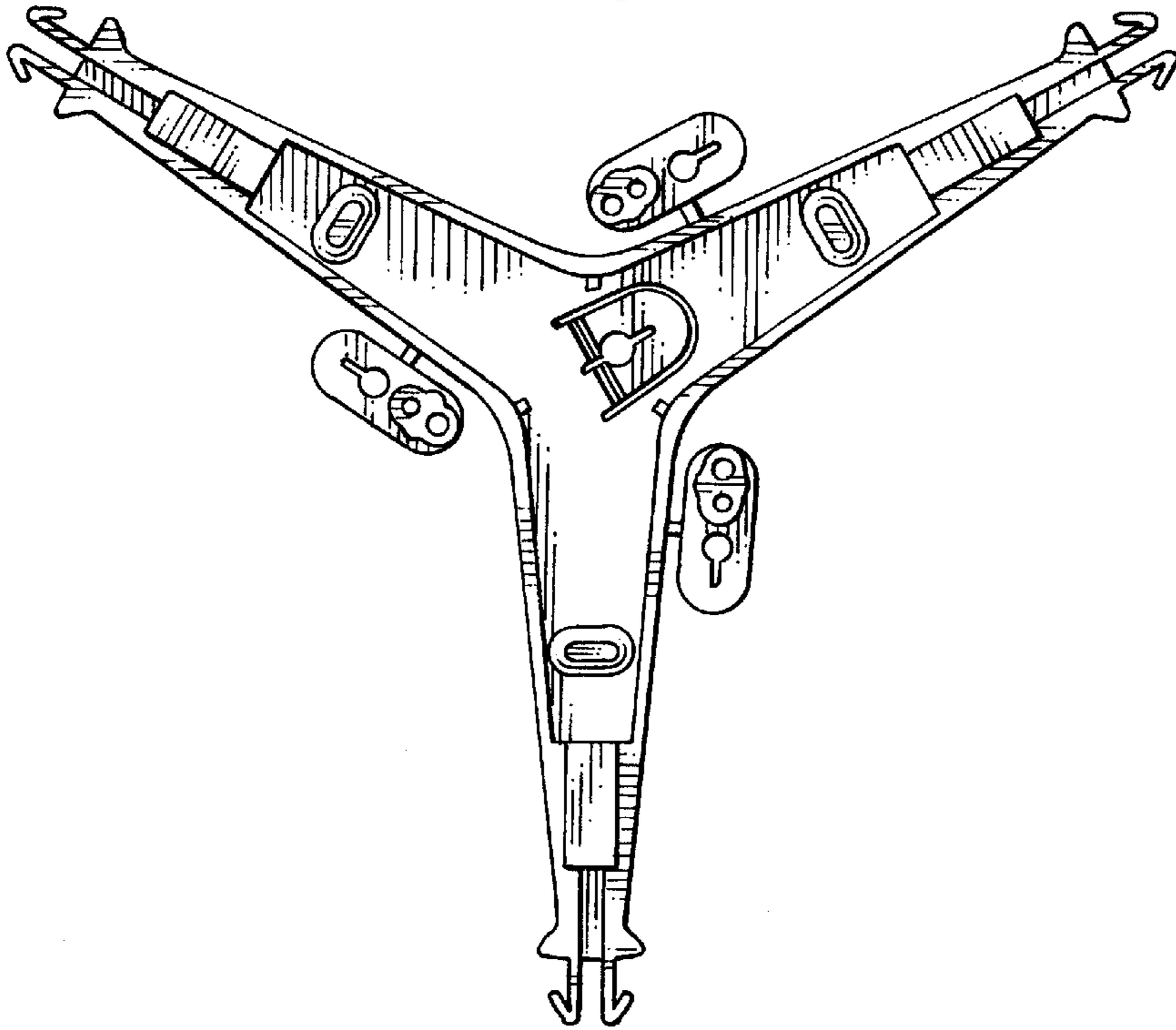


Fig. 5



Fig. 6

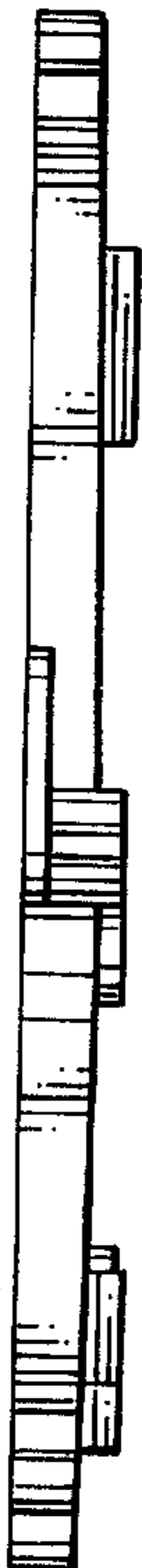


Fig. 7

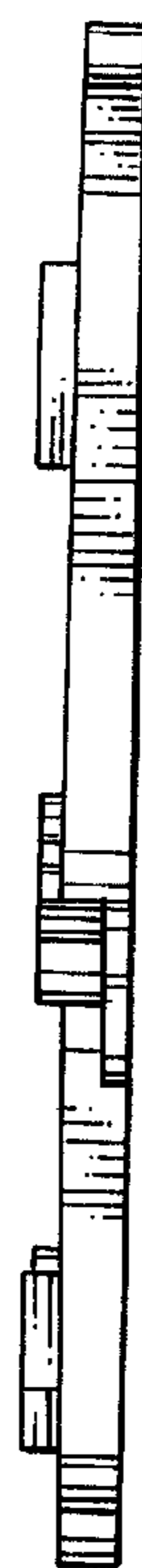


Fig. 8

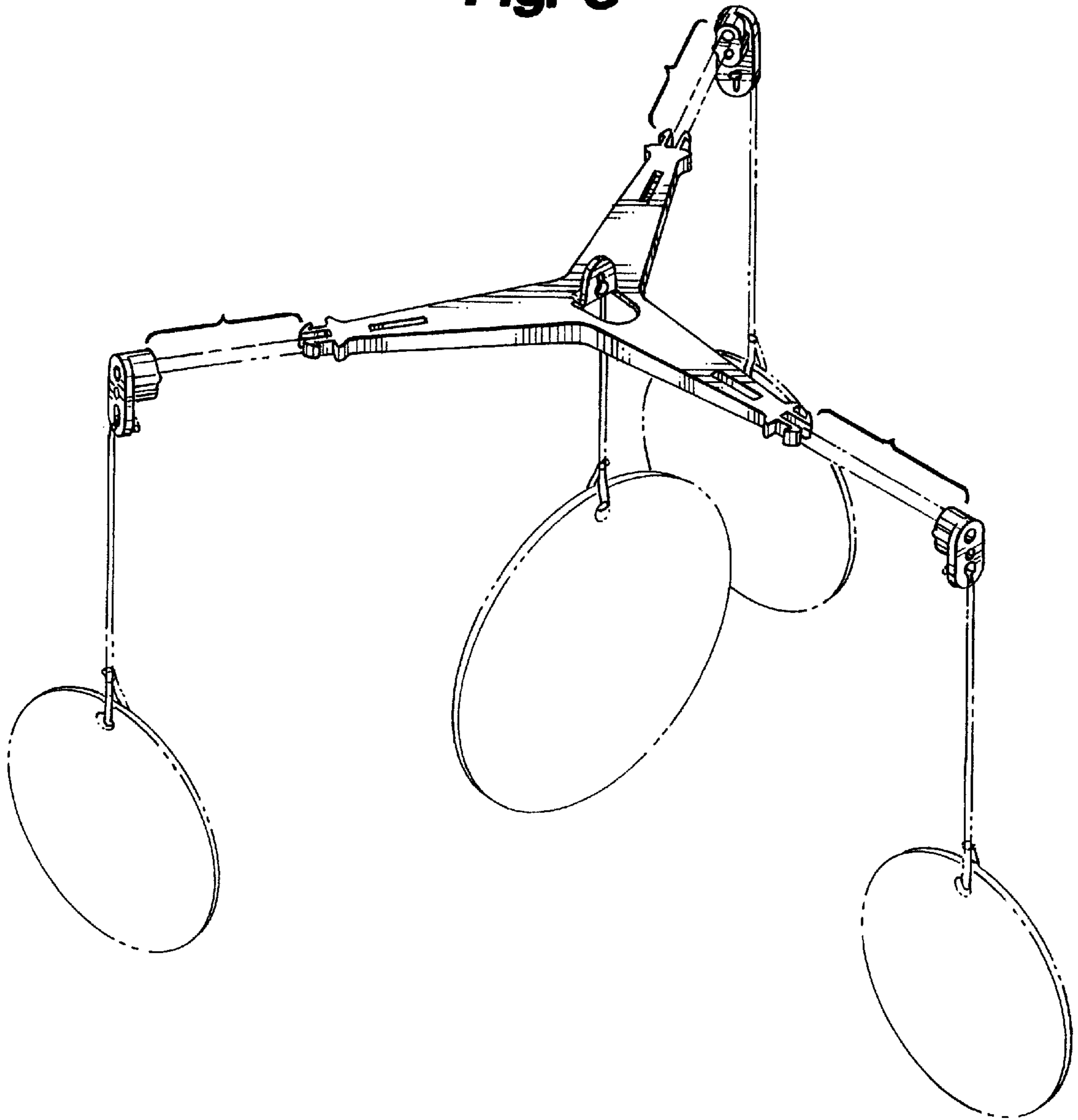


Fig. 9

