



US00D410496S

United States Patent [19]

Wyse

[11] Patent Number: Des. 410,496

[45] Date of Patent: ** Jun. 1, 1999

[54] SIGN

[75] Inventor: Steven J. Wyse, Archbold, Ohio

[73] Assignee: Granite Industries, Inc., Archbold, Ohio

[**] Term: 14 Years

[21] Appl. No.: 29/090,206

[22] Filed: Jul. 2, 1998

[51] LOC (6) Cl. 20-02

[52] U.S. Cl. D20/41

[58] Field of Search D20/39, 10, 41, D20/42; 40/584, 612, 605, 606, 607, 611, 618, 608

[56] References Cited

U.S. PATENT DOCUMENTS

D. 327,096	6/1992	Hobbs	D20/10
D. 351,863	10/1994	Sarkisian et al.	D20/41
D. 396,065	7/1998	Johnson et al.	D20/41
3,964,197	6/1976	Tucker et al.	40/584

Primary Examiner—Susan J. Lucas

Assistant Examiner—Jennifer Rivard

Attorney, Agent, or Firm—Hovey, Williams, Timmons & Collins

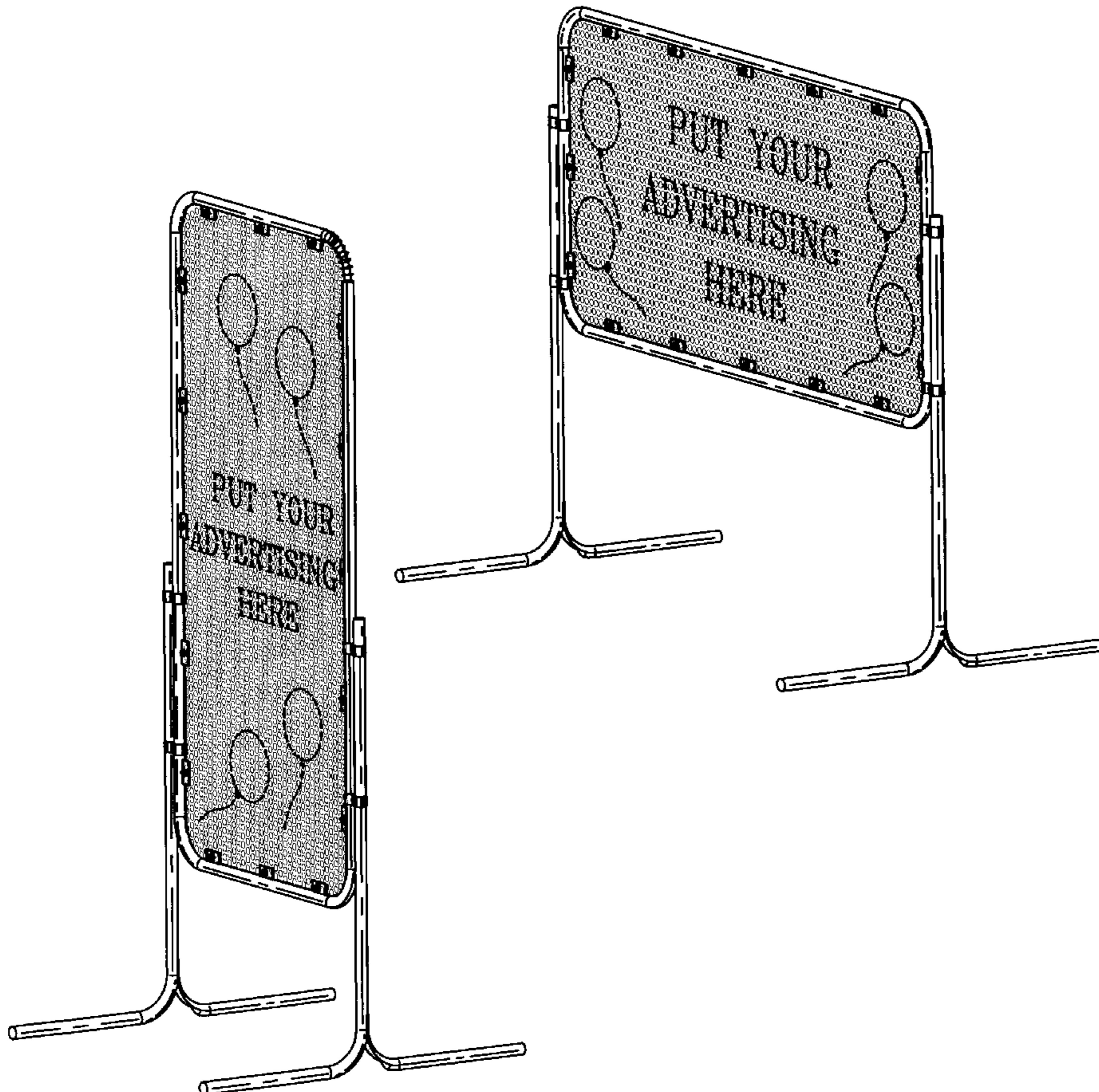
[57] CLAIM

The ornamental design for a sign, as shown and described.

DESCRIPTION

FIG. 1 is a perspective view of one embodiment of the sign; FIG. 2 is a rear elevational view of that embodiment; FIG. 3 is a front elevational view of that embodiment; FIG. 4 is a side elevational view of that embodiment, the opposite side being a mirror image; FIG. 5 is a top plan view of that embodiment; FIG. 6 is a bottom plan view of that embodiment; FIG. 7 is a perspective view of a second embodiment of the sign; FIG. 8 is a front elevational view of that embodiment; FIG. 9 is a rear elevational view of that embodiment; FIG. 10 is a side elevational view of that embodiment, the opposite side being a mirror image; FIG. 11 is a bottom plan view of that embodiment; and, FIG. 12 is a top plan view of that embodiment. The broken line disclosure of the text and balloons are shown for illustrative purposes only and form no part of the claimed design.

1 Claim, 3 Drawing Sheets



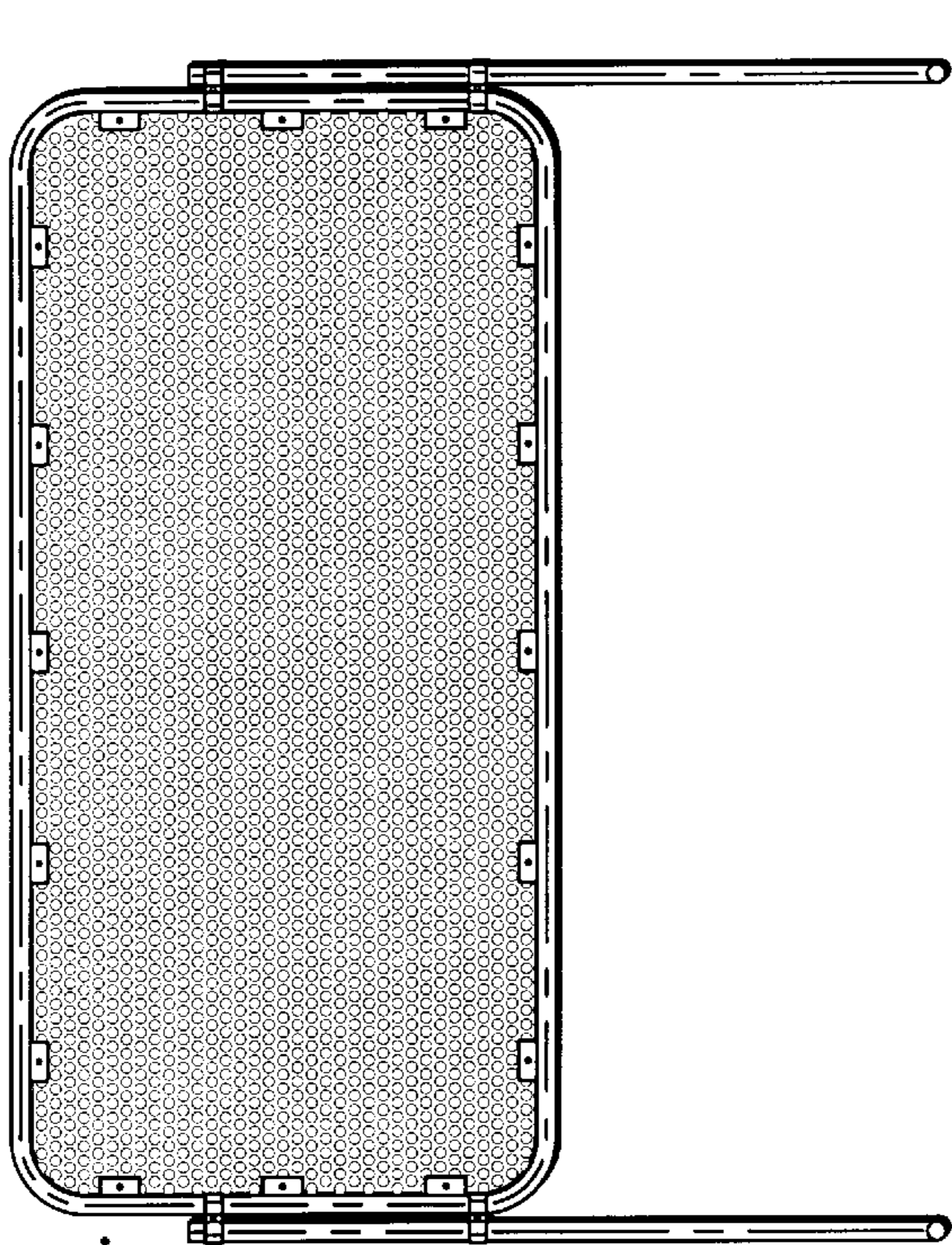


Fig. 2.

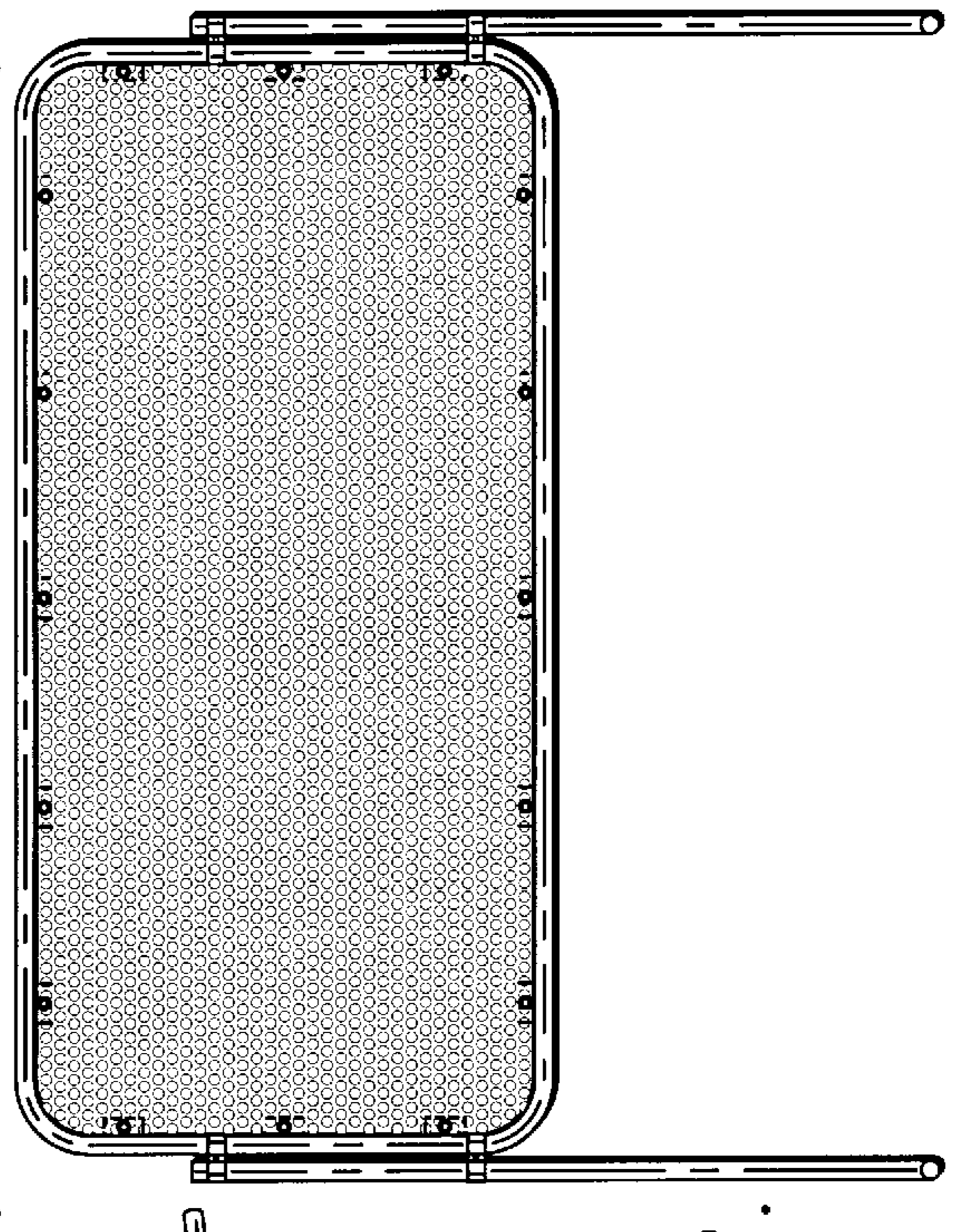


Fig. 3.

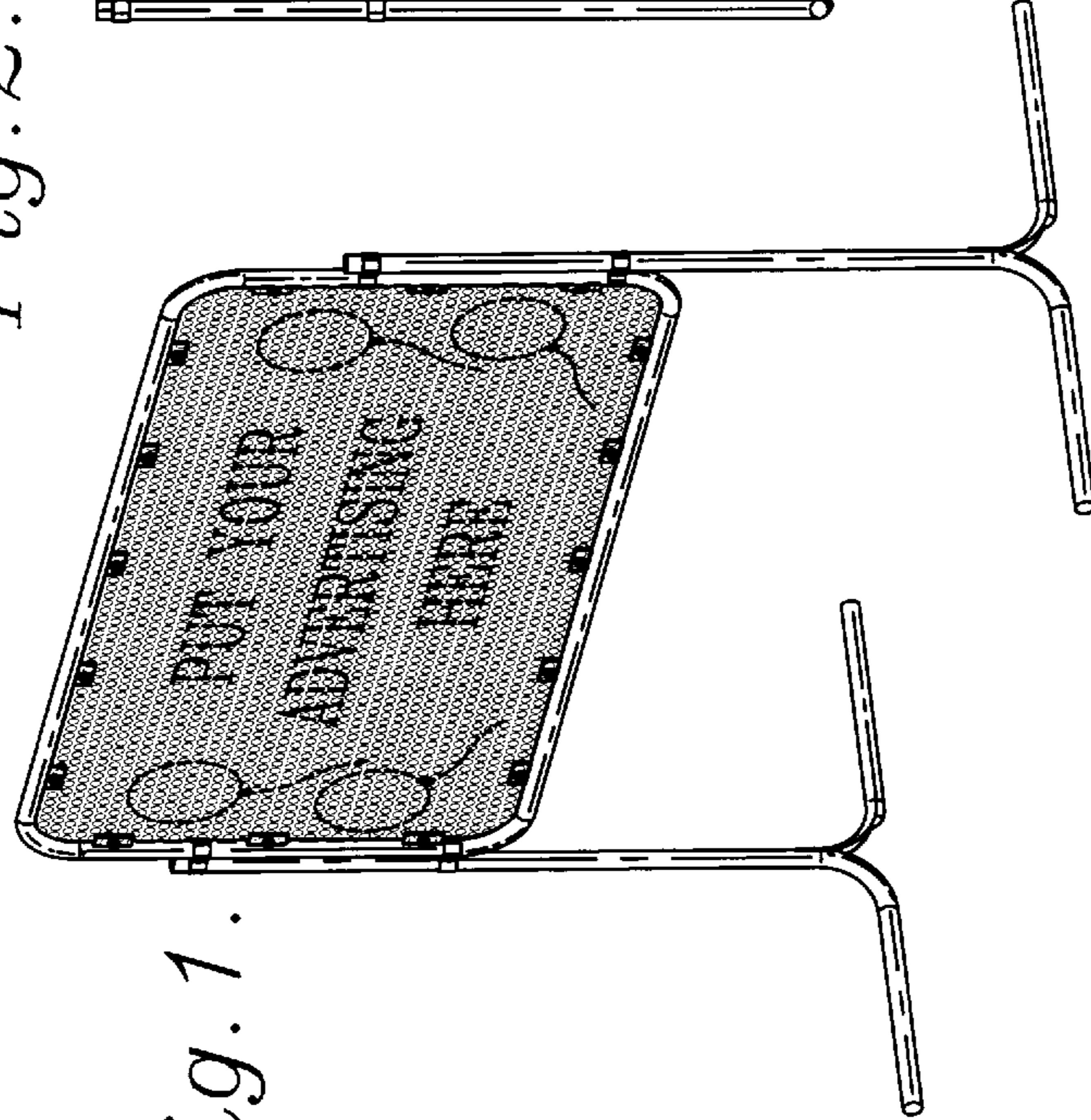


Fig. 1.

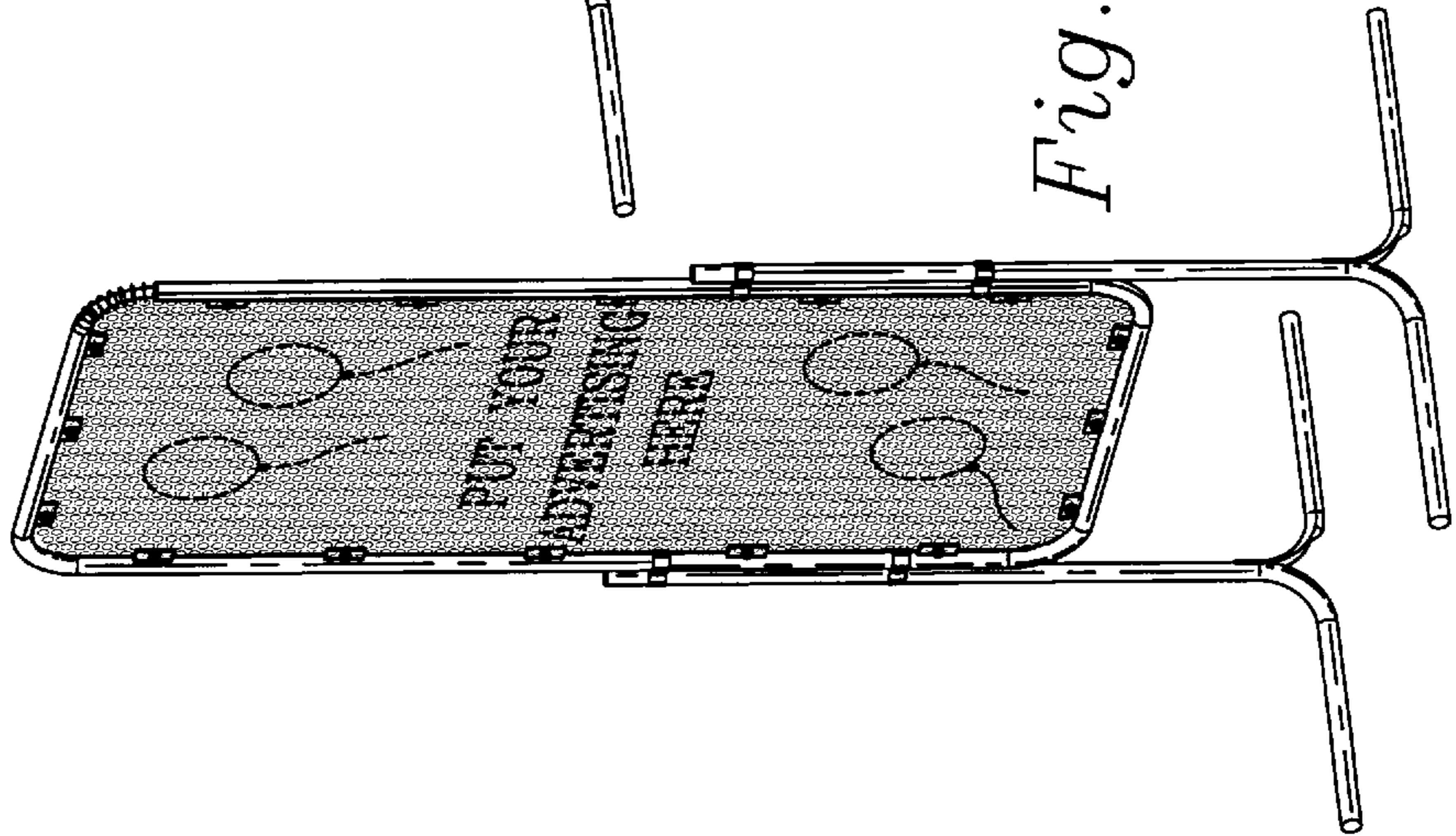


Fig. 7.

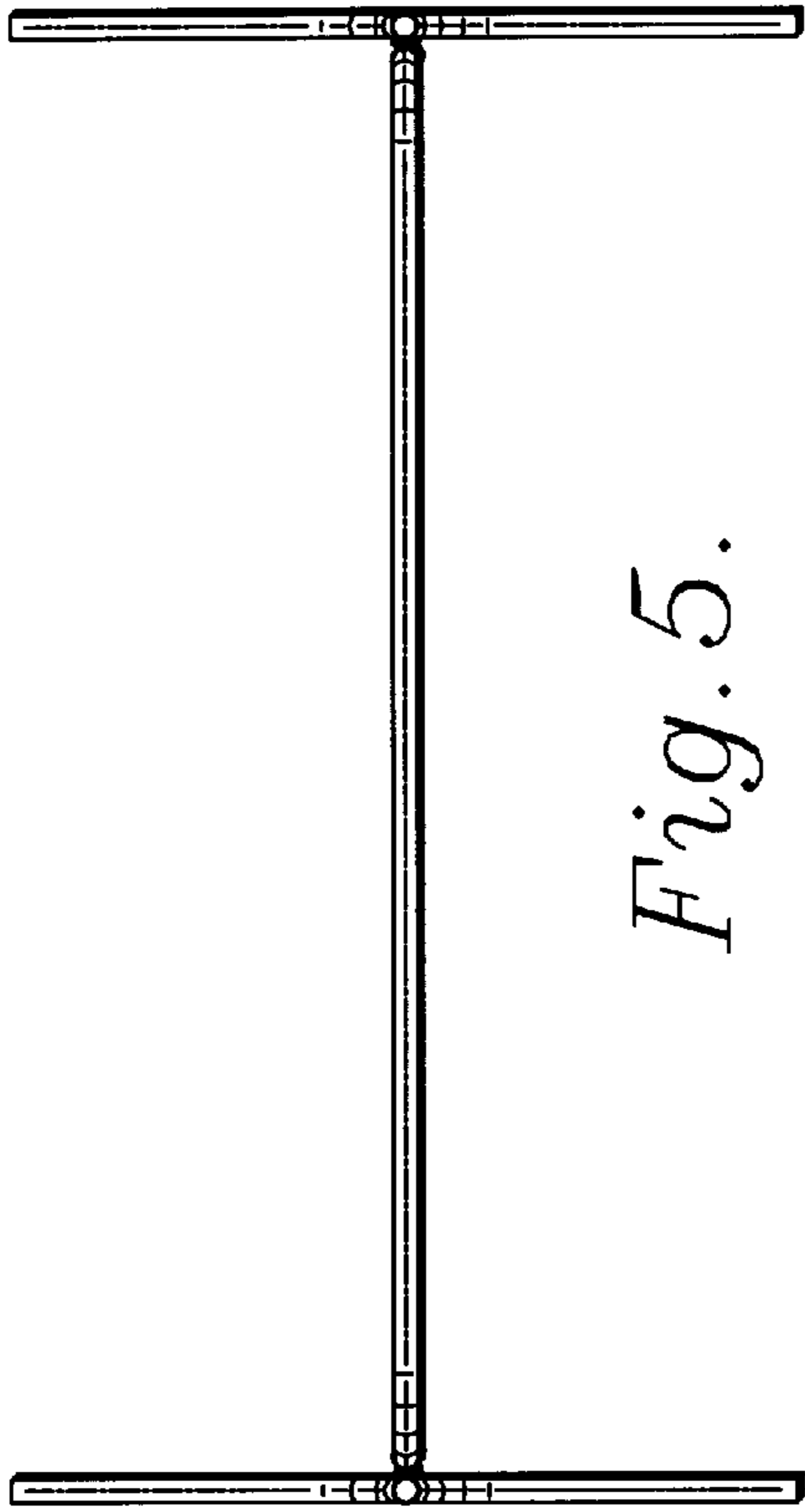


Fig. 5.

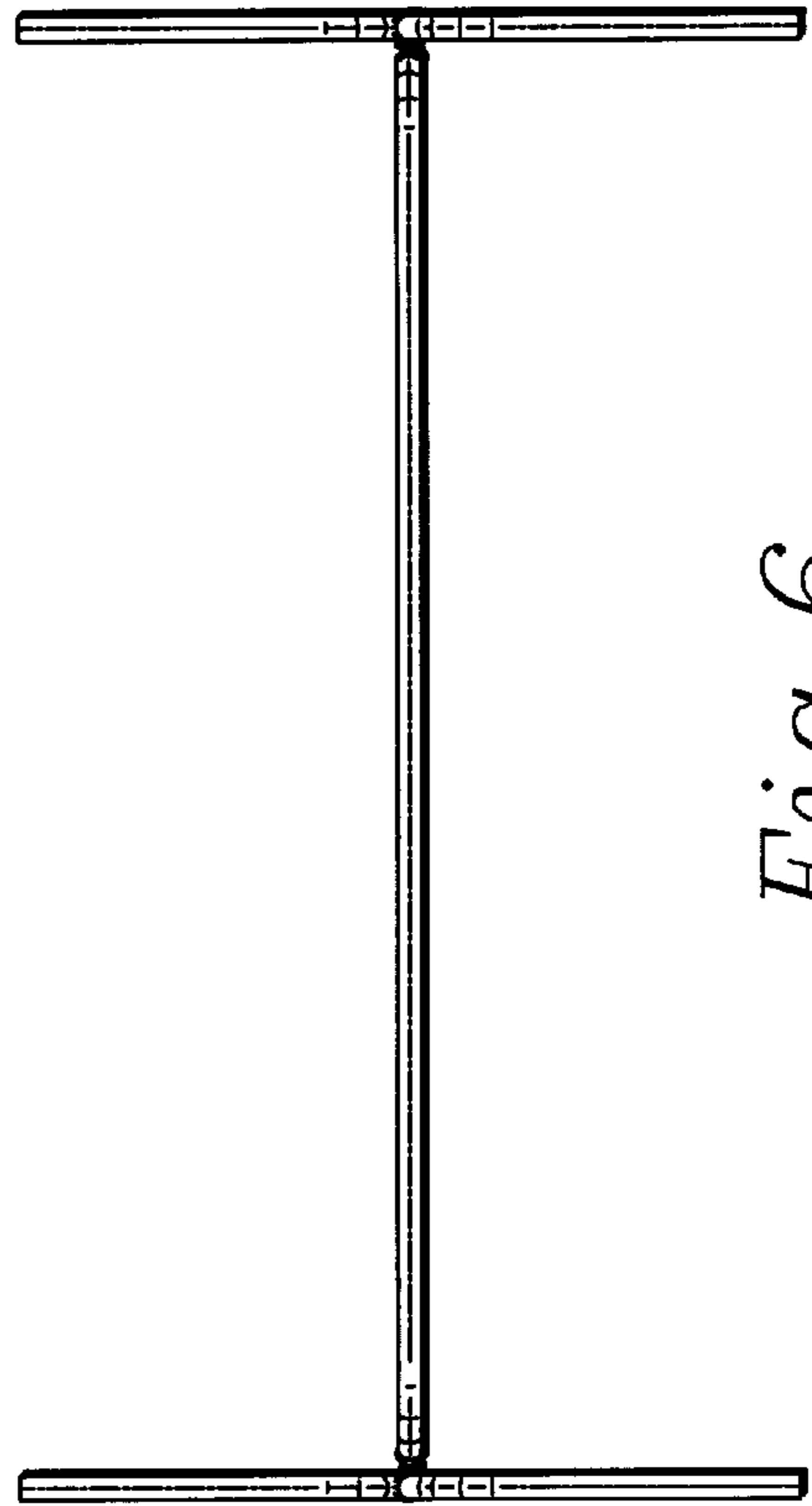


Fig. 6.

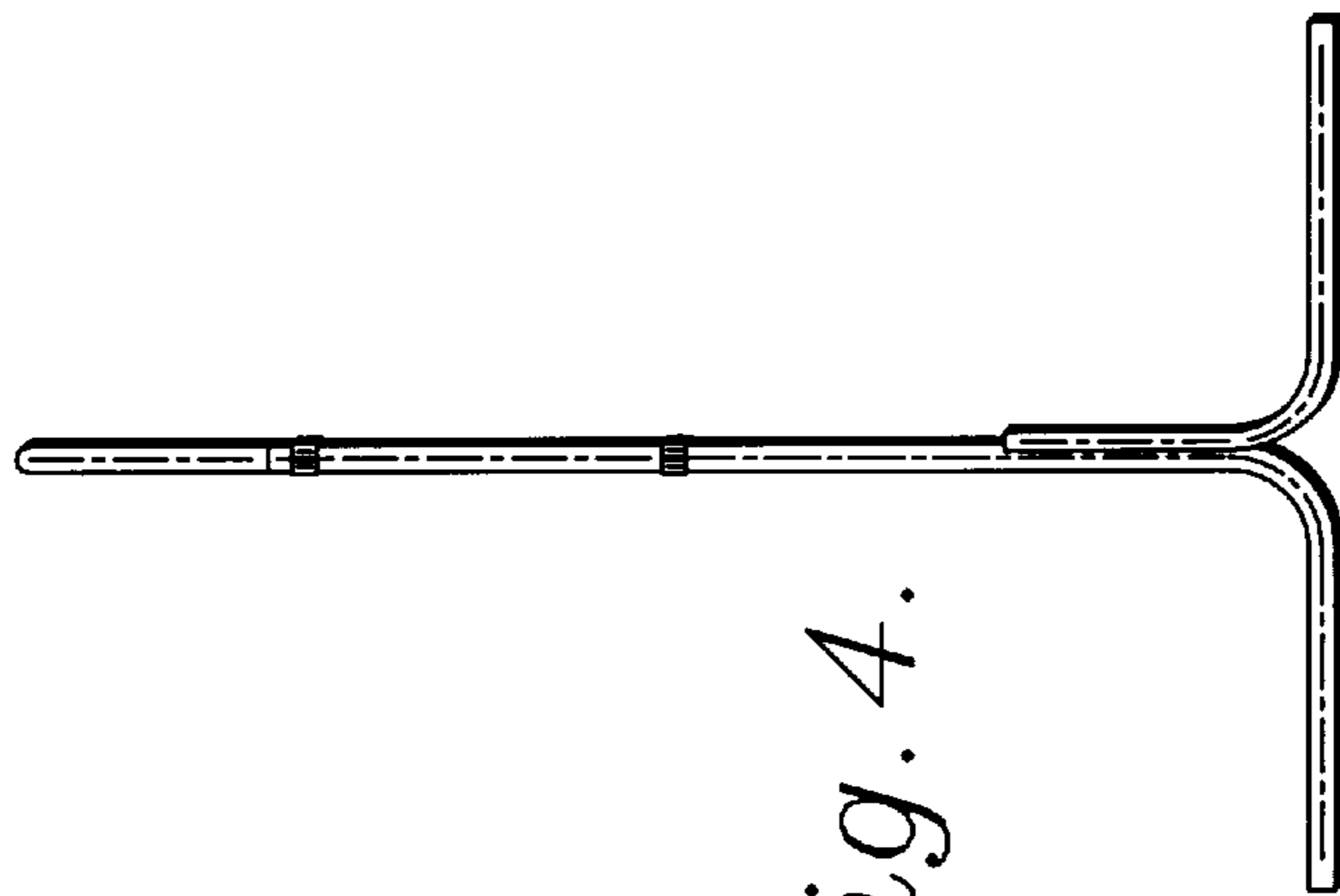


Fig. 4.

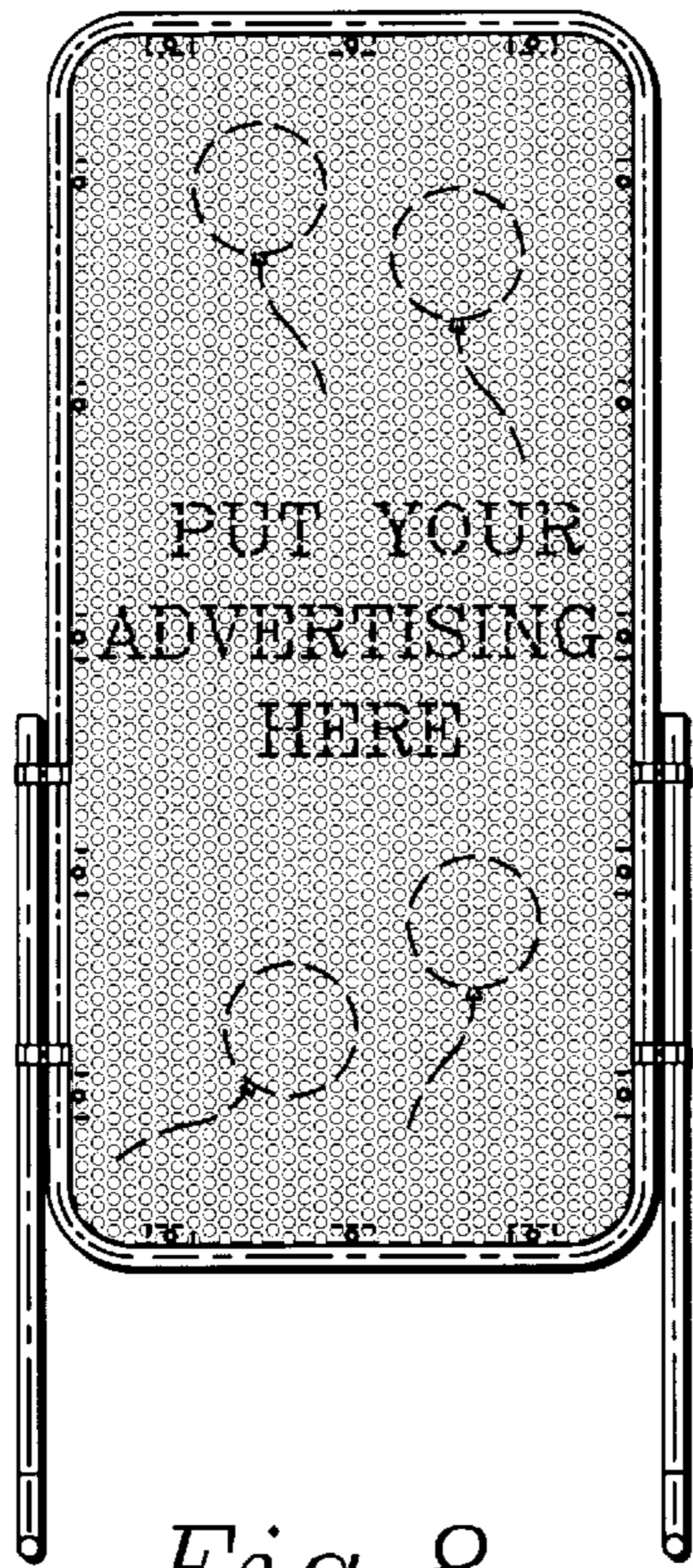


Fig. 8.

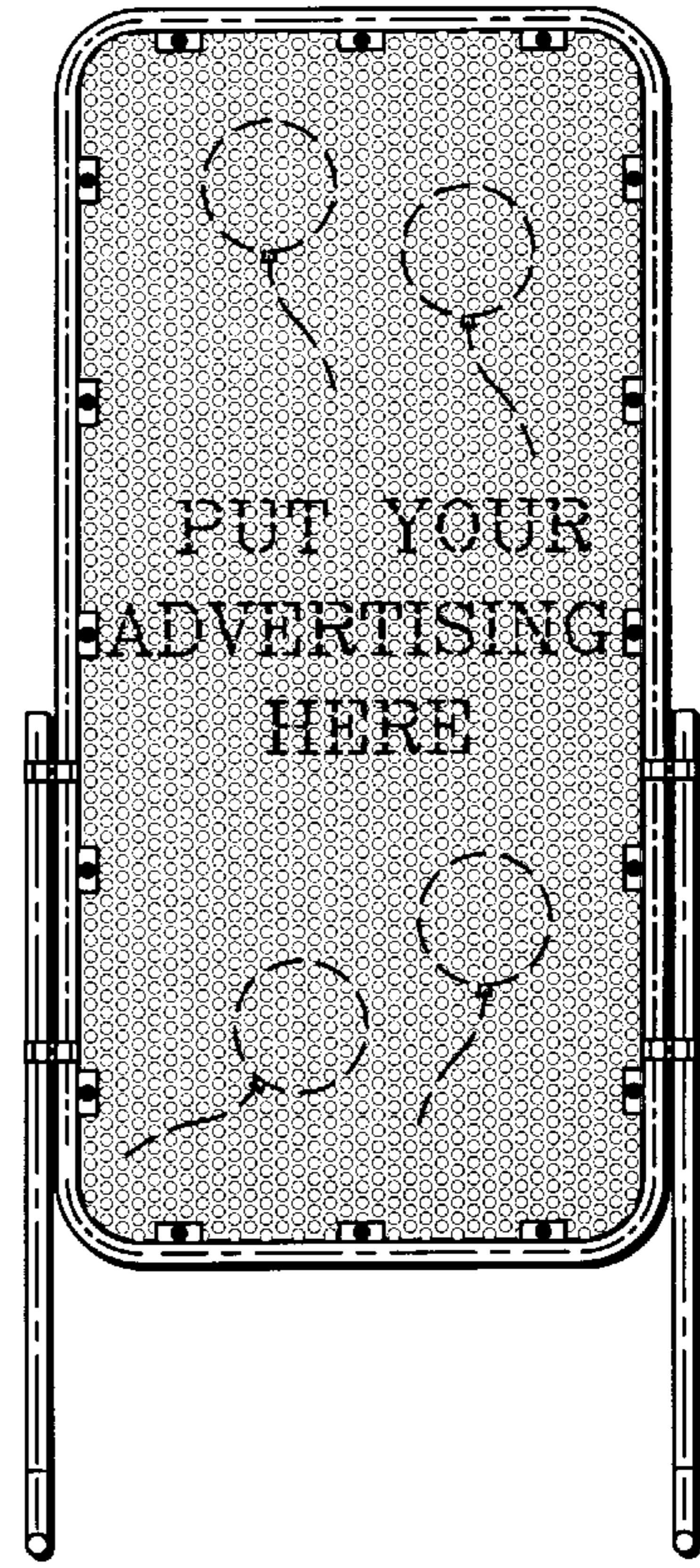


Fig. 9.

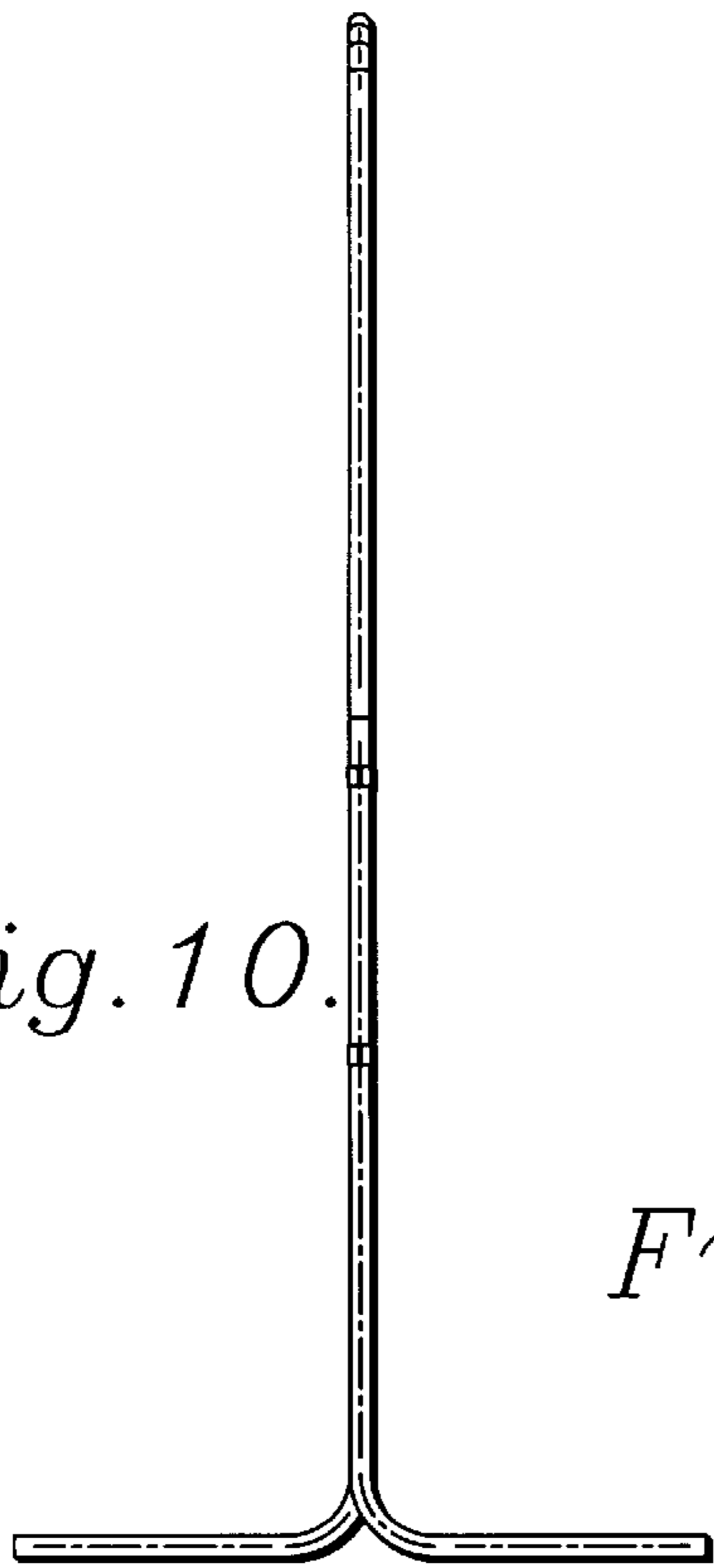


Fig. 10.

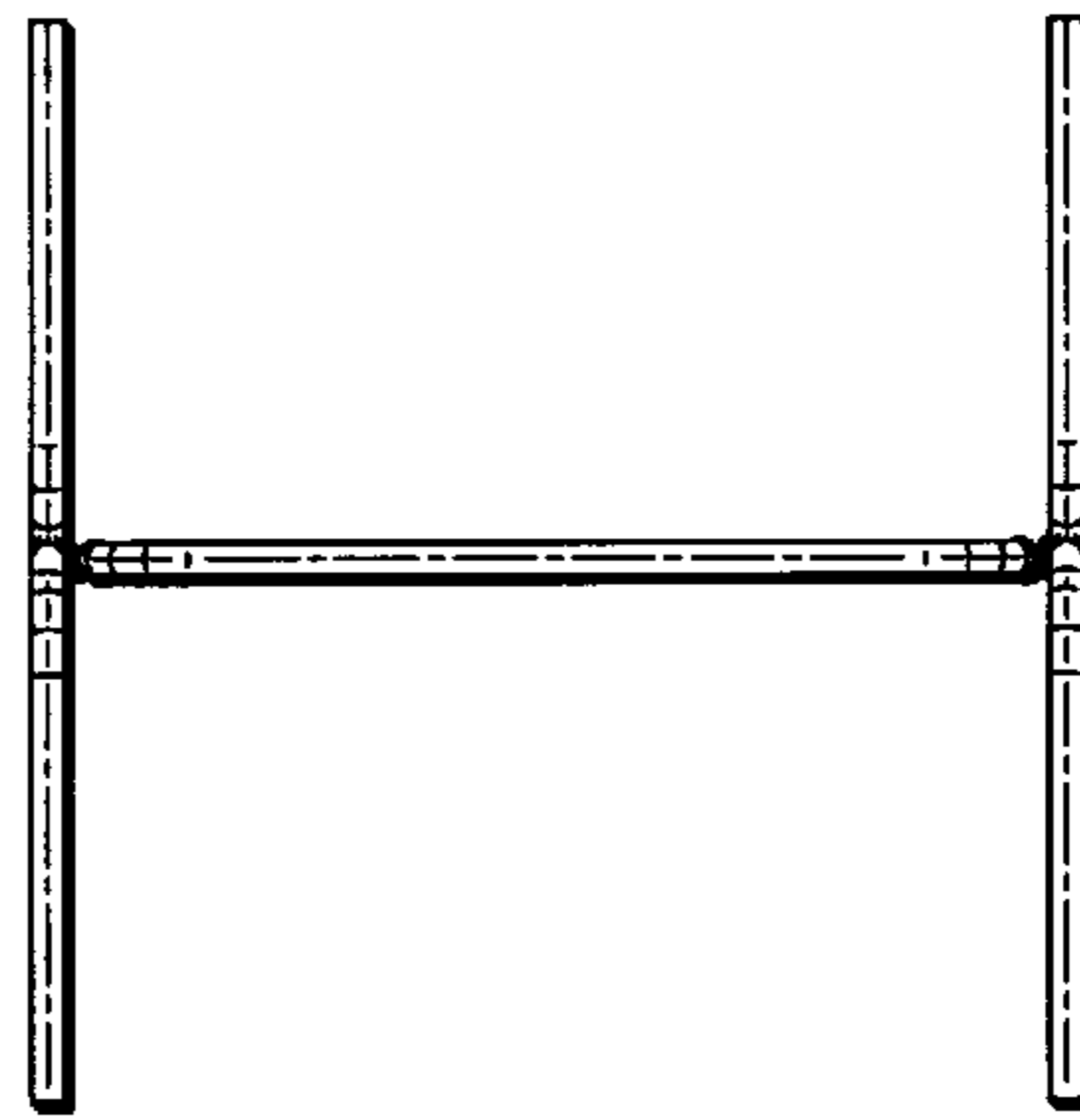


Fig. 11.

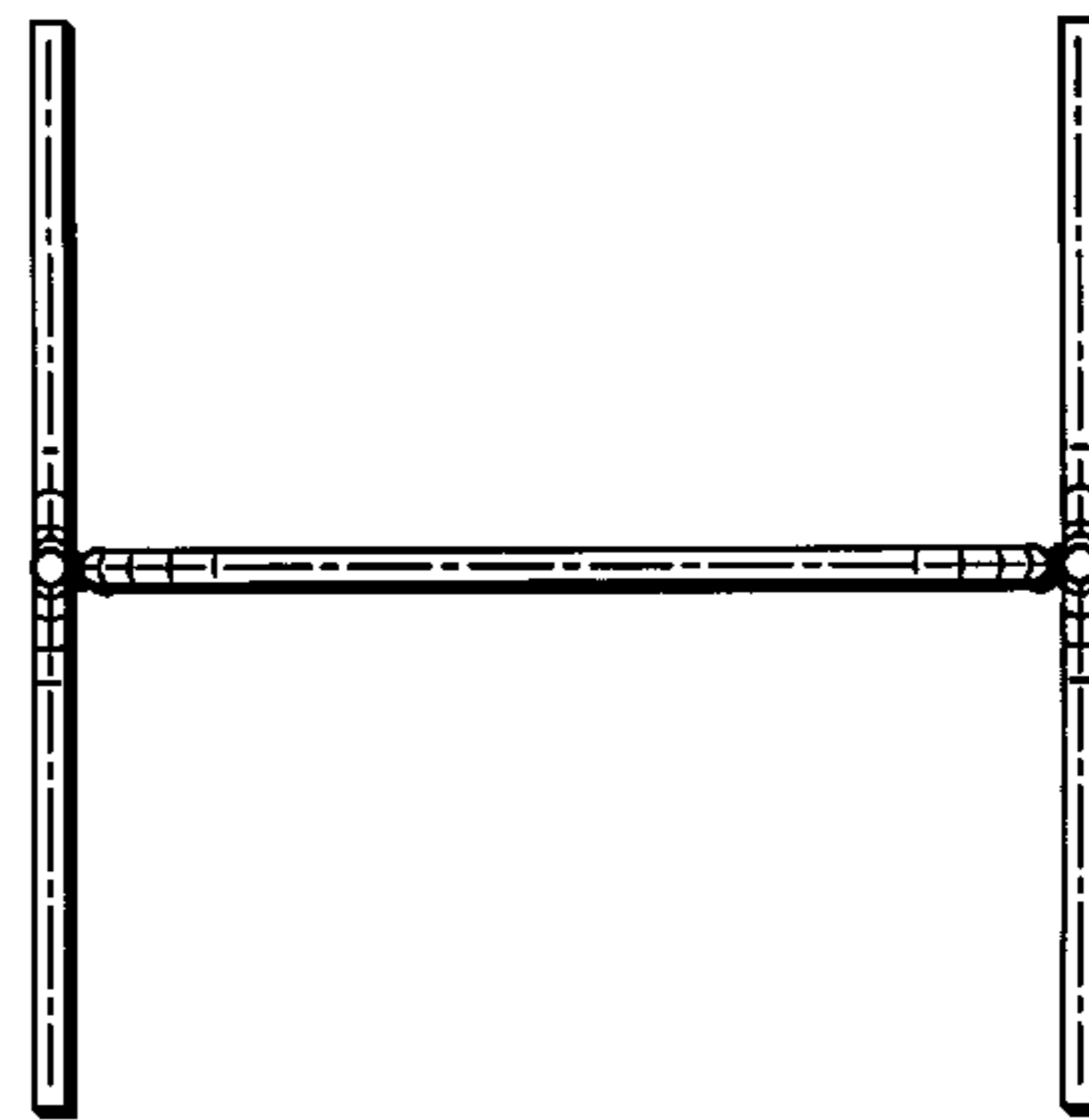


Fig. 12.