



US00D410495S

United States Patent [19] Wear

[11] **Patent Number: Des. 410,495**
[45] **Date of Patent: ** Jun. 1, 1999**

[54] **LITERATURE POCKET**

[75] Inventor: **Stuart C. W. Wear**, St. Louis Park, Minn.

[73] Assignee: **Popco, Inc.**, Minneapolis, Minn.

[**] Term: **14 Years**

[21] Appl. No.: **29/090,700**

[22] Filed: **Jul. 14, 1998**

[51] **LOC (6) Cl.** **19-02**

[52] **U.S. Cl.** **D19/90; D19/75; D19/86; D19/91; D6/553; D6/475**

[58] **Field of Search** **D6/300, 553, 567, D6/475, 572-574, 512, 466, 449, 470, 471, 476; D19/75, 65, 86, 90, 91; 211/11, 13.1, 50, 55; 40/642.02, 654.01, 124.01, 124.02, 124.06; D20/42**

[56] **References Cited**

U.S. PATENT DOCUMENTS

- D. 268,368 3/1983 Moss .
- D. 271,168 11/1983 Antonczyk D6/300
- D. 277,350 1/1985 Smith .
- D. 278,958 5/1985 Novak .
- D. 279,745 7/1985 Kellogg D6/475 X
- D. 286,113 10/1986 Albery .

- D. 286,485 11/1986 Frizzell D6/573
- D. 293,212 12/1987 Zuliani .
- D. 308,784 6/1990 Liptak D6/553
- D. 311,652 10/1990 Feller .
- D. 313,820 1/1991 Wright D19/90 X
- D. 321,446 11/1991 Liptak D19/90 X
- D. 321,614 11/1991 Liptak .
- D. 357,704 4/1995 Wolff D19/90
- 2,685,882 8/1954 Martin .
- 4,645,077 2/1987 McLaughlin et al. .
- 4,798,284 1/1989 Wakelin .
- 4,989,728 2/1991 Neyret et al. .
- 5,094,349 3/1992 DeVito 211/50

Primary Examiner—Martie K. Holtje
Attorney, Agent, or Firm—Patterson & Keough, P.A.

[57] **CLAIM**

The ornamental design for a literature pocket, as shown and described.

DESCRIPTION

FIG. 1 is a perspective view of the literature pocket of the present invention;
FIG. 2 is a top plan view of the literature pocket;
FIG. 3 is a front elevational view of the literature pocket;
FIG. 4 is a side elevational view of the literature pocket;
FIG. 5 is a bottom plan view of the literature pocket; and,
FIG. 6 is a rear elevational view of the literature pocket.

1 Claim, 3 Drawing Sheets

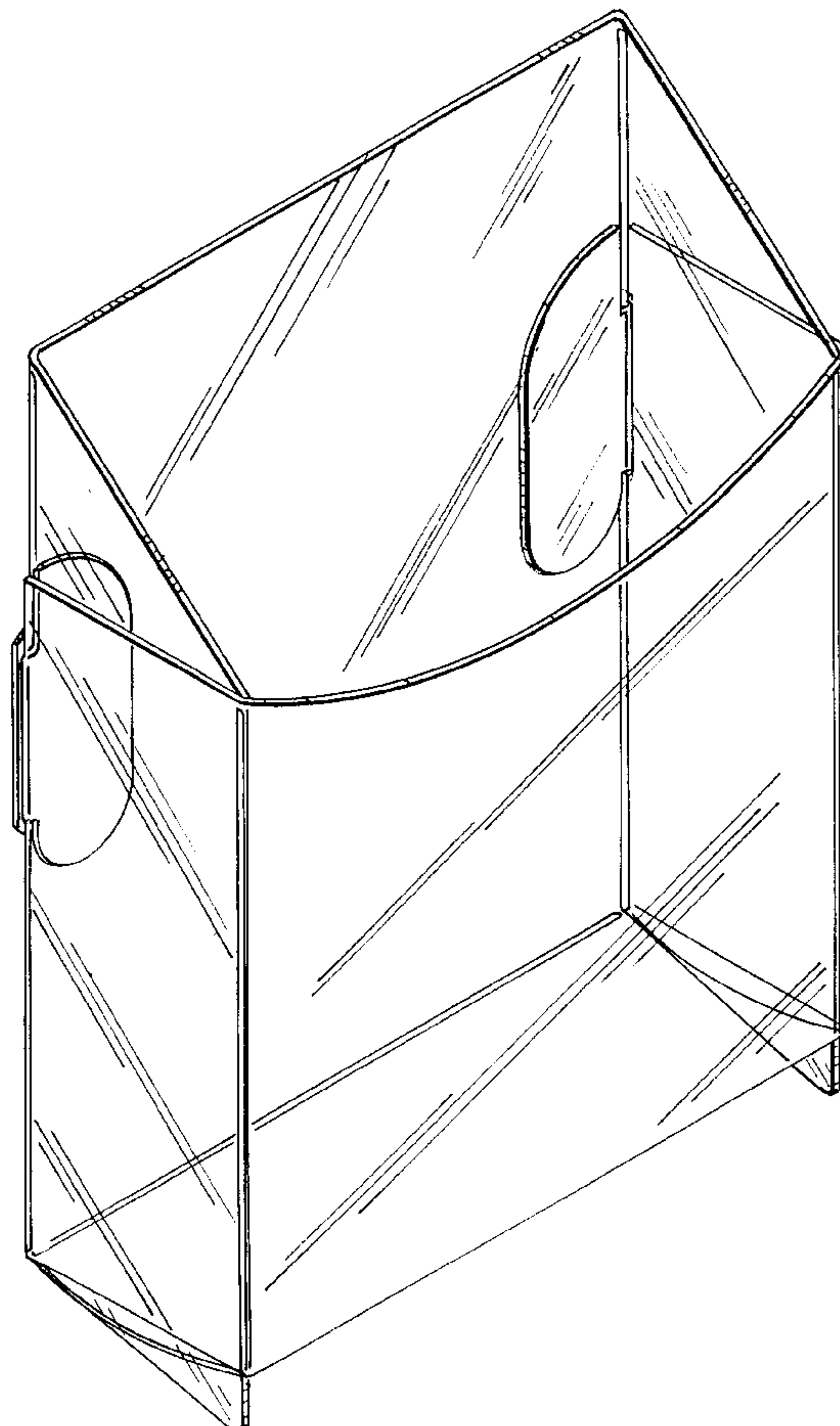


Fig. 1

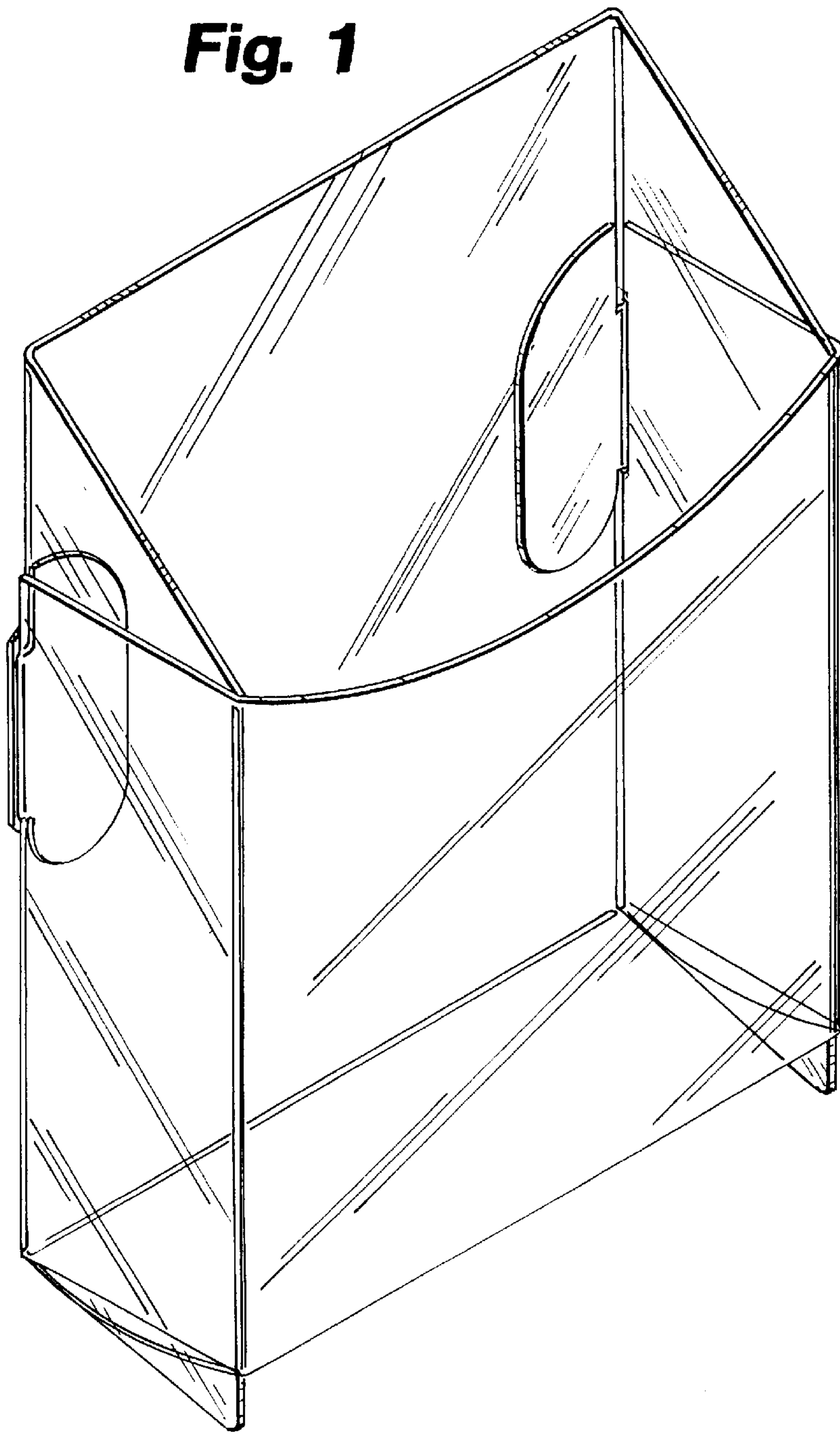


Fig. 2

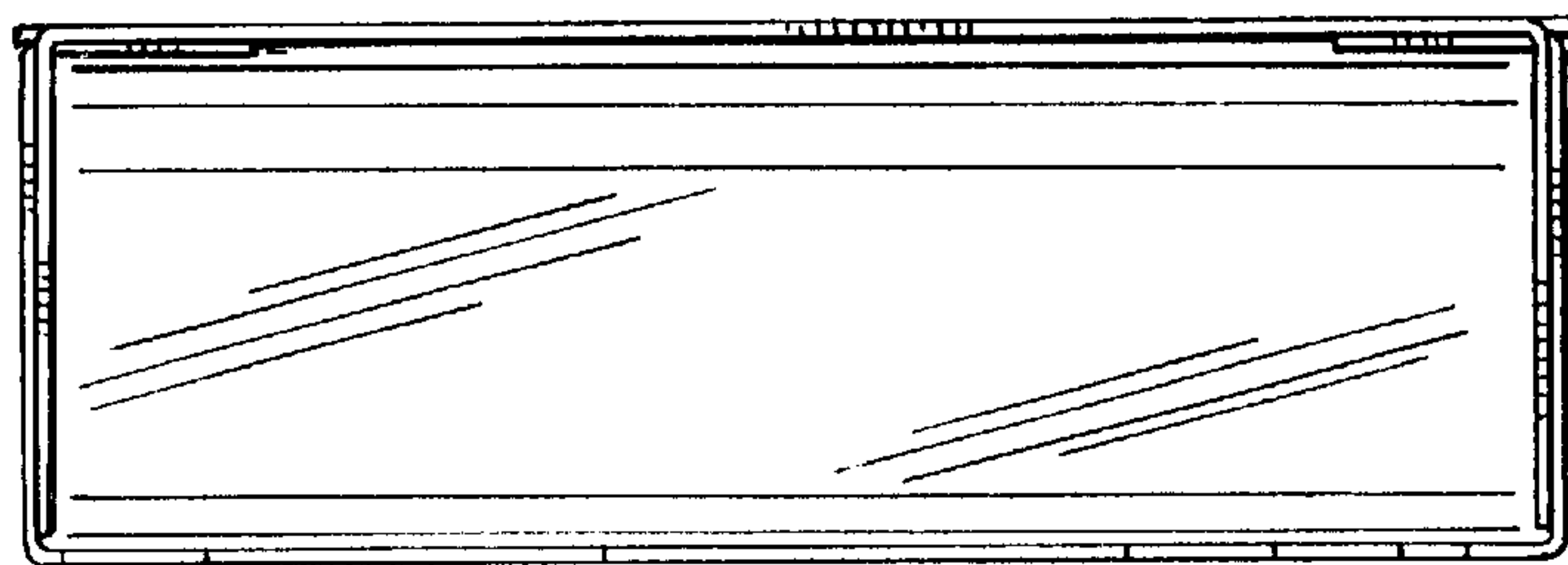


Fig. 3

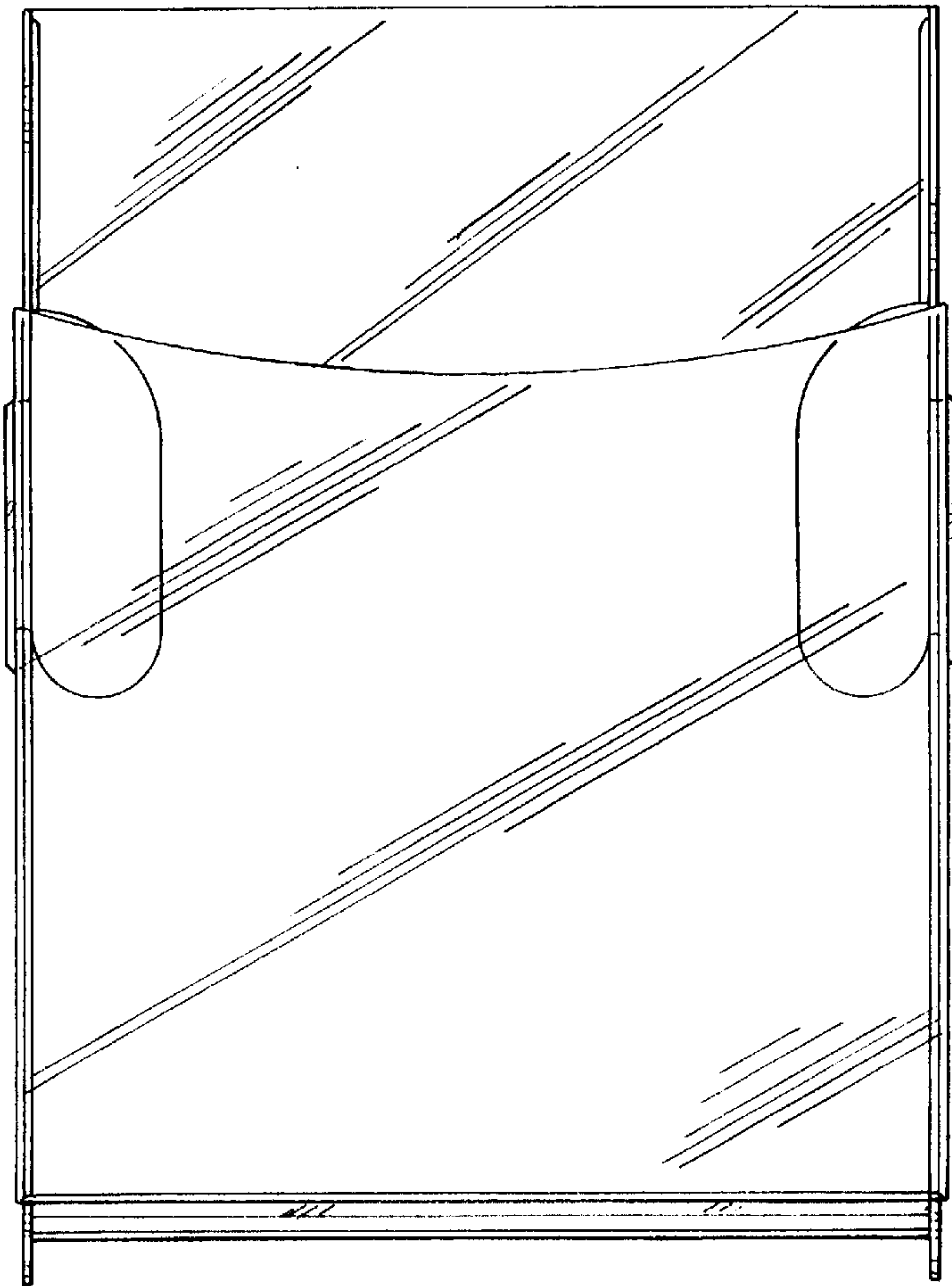


Fig. 4

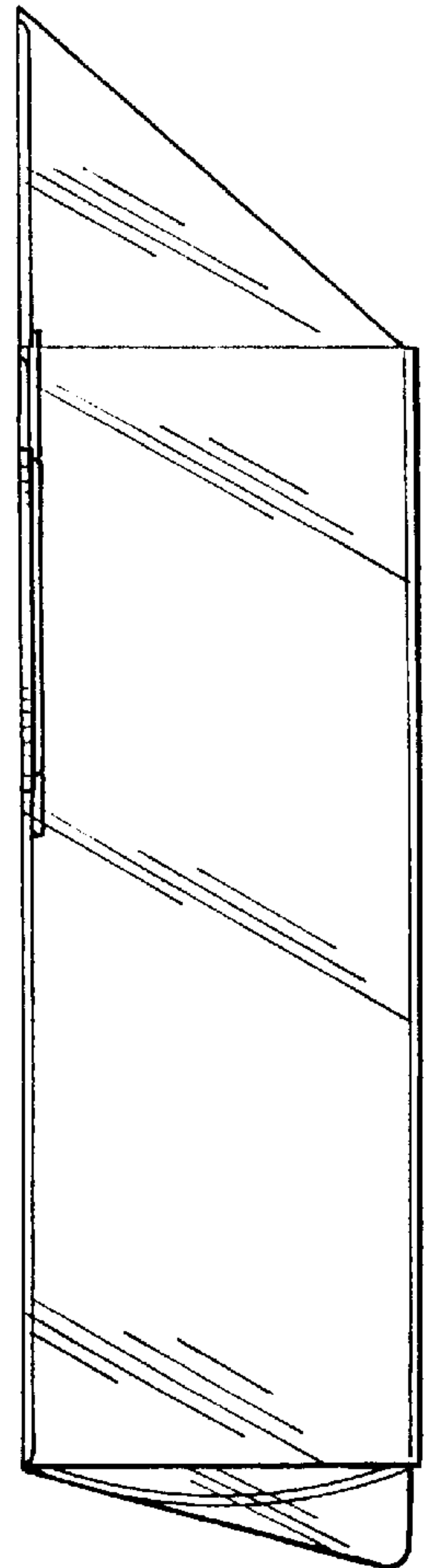


Fig. 5

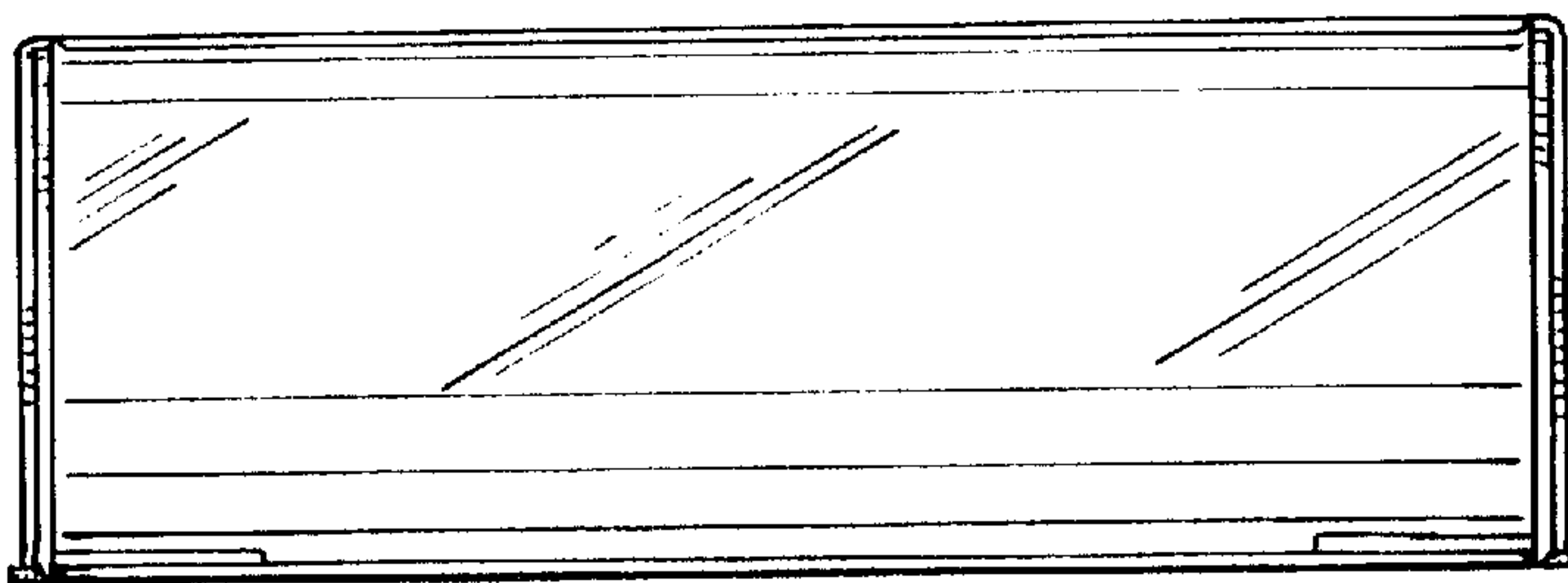


Fig. 6

