



US00D410492S

**United States Patent** [19]  
**Ritterling**

[11] **Patent Number: Des. 410,492**  
[45] **Date of Patent: \*\* Jun. 1, 1999**

[54] **STENO WORK CENTER PROVIDING A HOLDER FOR A NOTEBOOK AND OTHER ARTICLES**

[75] Inventor: **Douglas Ritterling**, Washington, Mo.

[73] Assignee: **American Trading and Production Corporation**, Baltimore, Md.

[\*\*] Term: **14 Years**

[21] Appl. No.: **29/073,766**

[22] Filed: **Jul. 18, 1997**

[51] **LOC (6) Cl.** ..... **19-04**

[52] **U.S. Cl.** ..... **D19/26; D19/75; D19/78; D3/301; D3/900**

[58] **Field of Search** ..... D3/249, 247, 252, D3/301, 900; D19/26, 27, 36, 75, 78, 81-85, 86, 99, 100; 281/3.1, 15.1, 19.1, 21.1, 27, 29, 31, 35, 38, 45, 51; 206/730; 150/130, 147

[56] **References Cited**

**U.S. PATENT DOCUMENTS**

D. 343,862 2/1994 Wyant ..... D19/26  
D. 356,886 4/1995 Kobel et al. .... D3/249 X

D. 362,751 10/1995 Kobel ..... D3/249 X  
D. 382,900 8/1997 Wyant ..... D19/27  
D. 383,492 9/1997 Siemon et al. .... D19/26  
D. 391,605 3/1998 Wyant ..... D19/27  
2,076,683 4/1937 Tharp ..... 206/730  
2,523,724 9/1950 Satz ..... 281/31

*Primary Examiner*—Martie K. Holtje  
*Attorney, Agent, or Firm*—Cohn, Powell & Hind

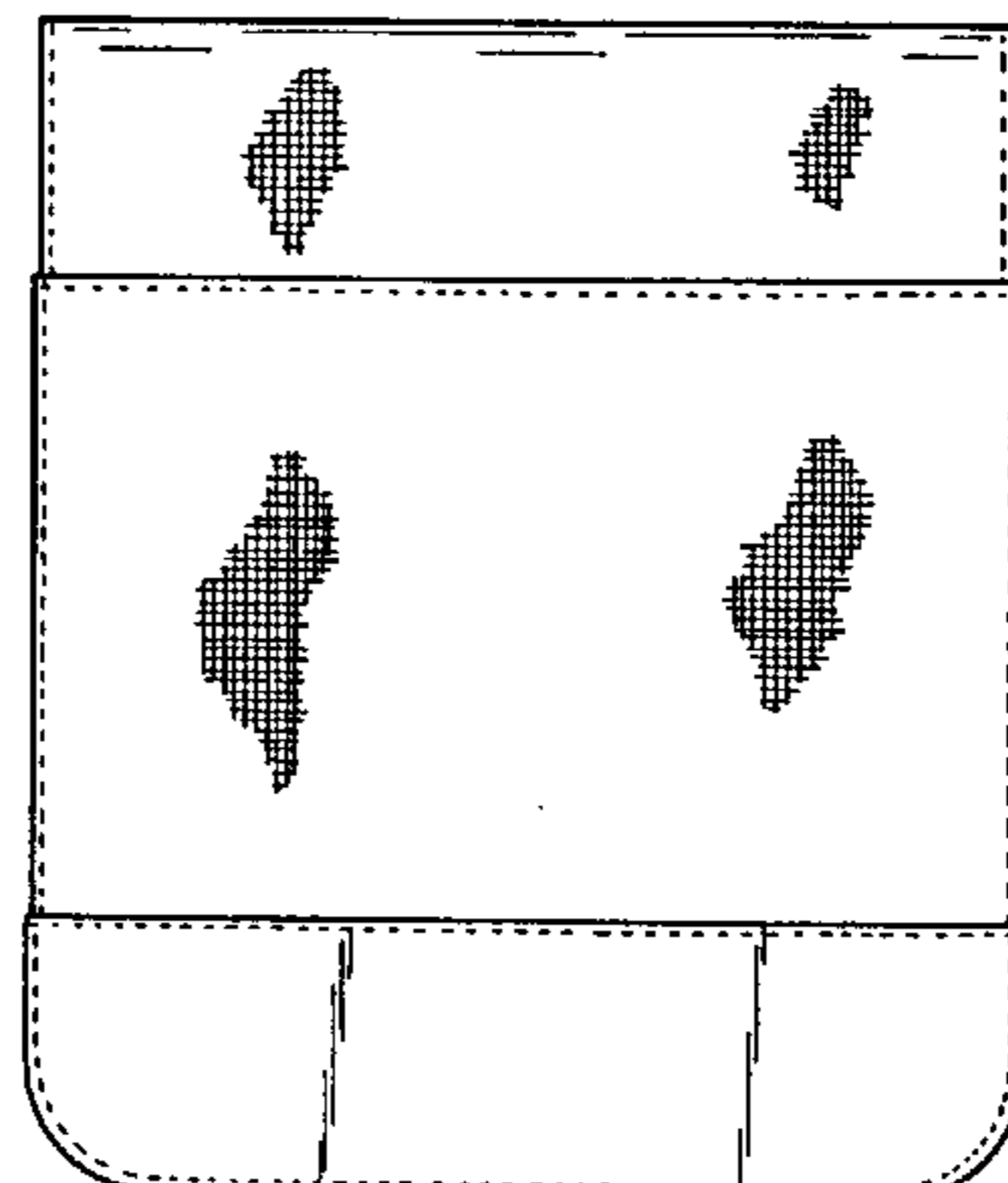
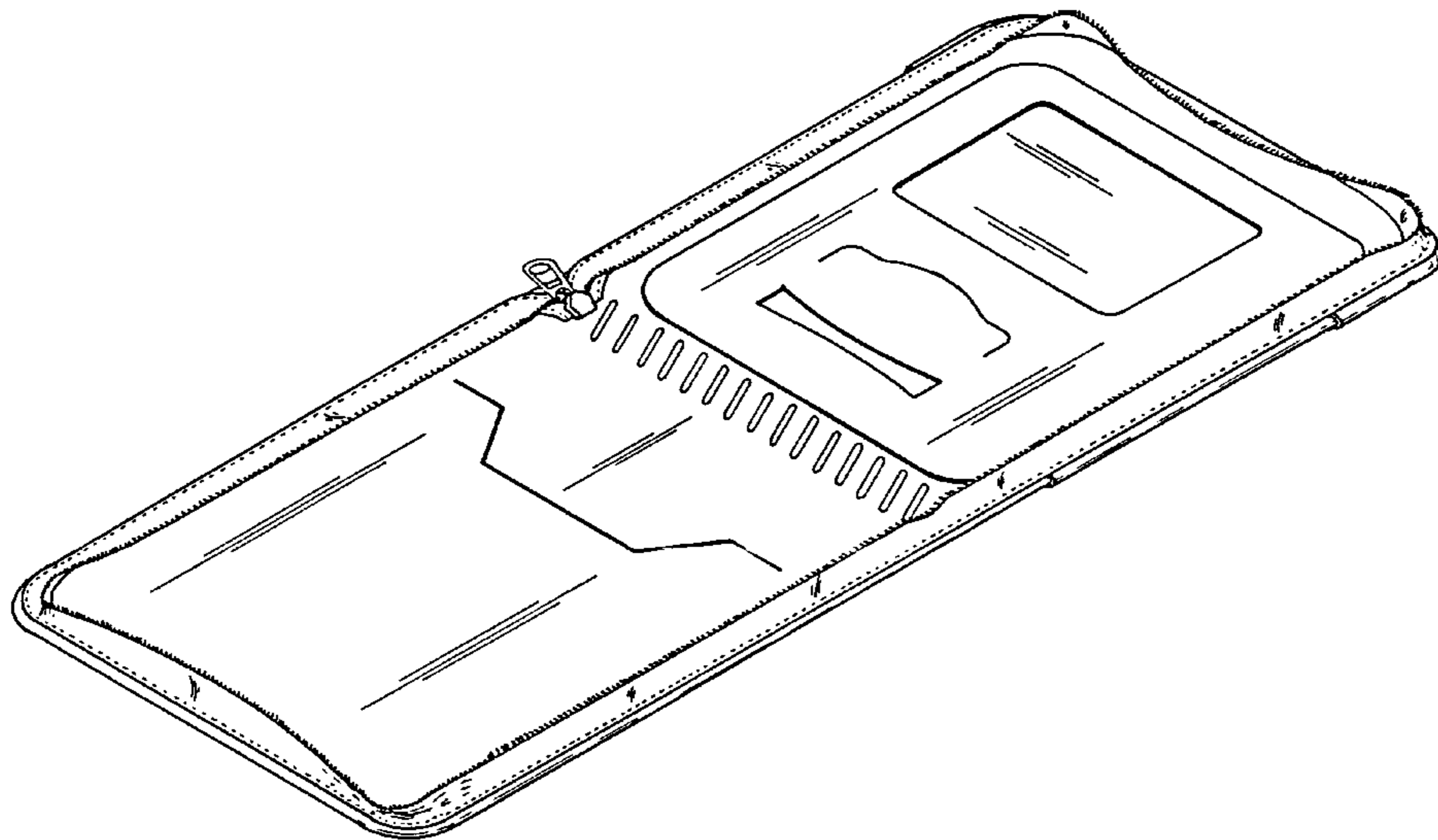
[57] **CLAIM**

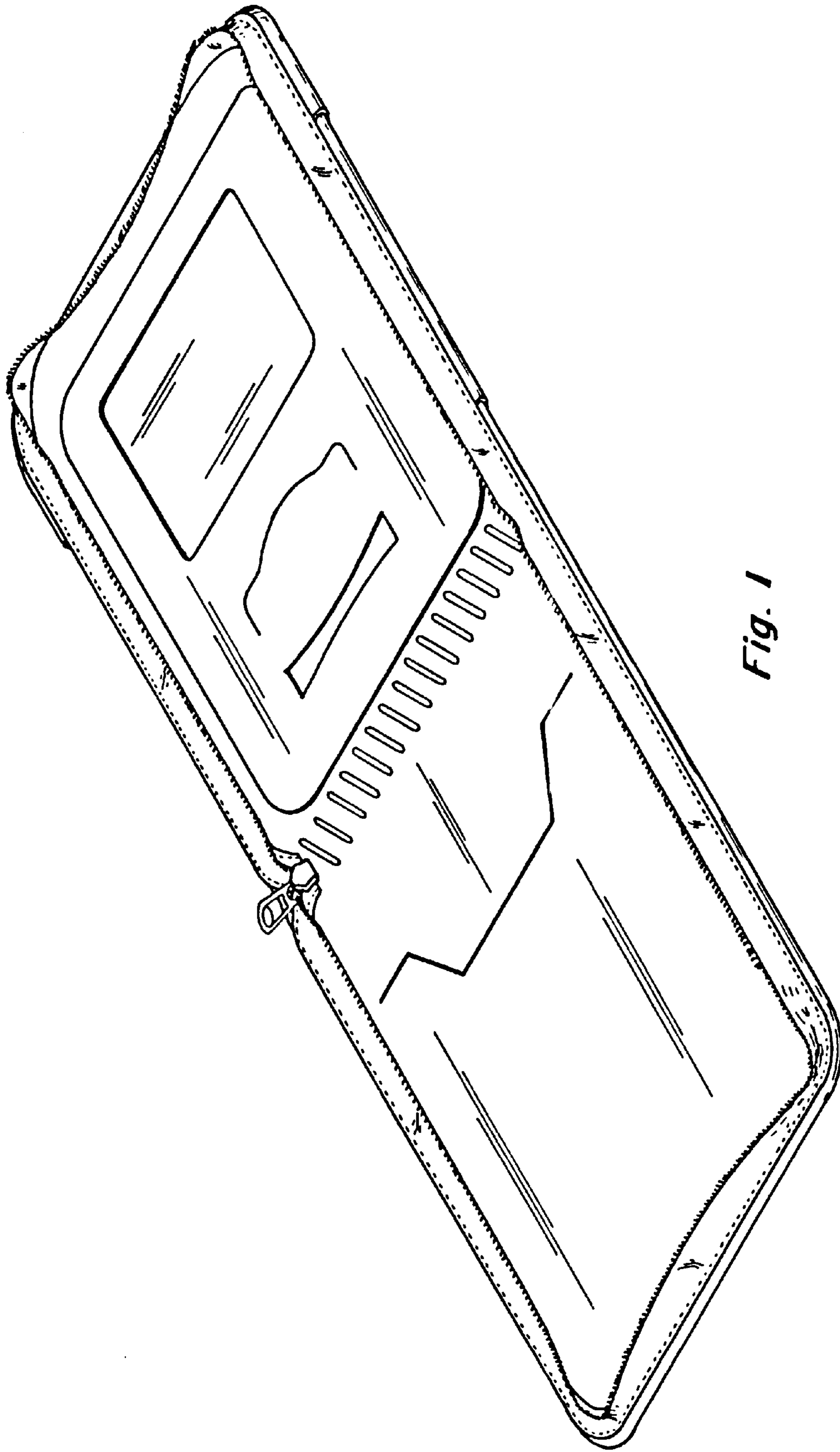
The ornamental design for a steno work center providing a holder for a notebook and other articles, as shown and described.

**DESCRIPTION**

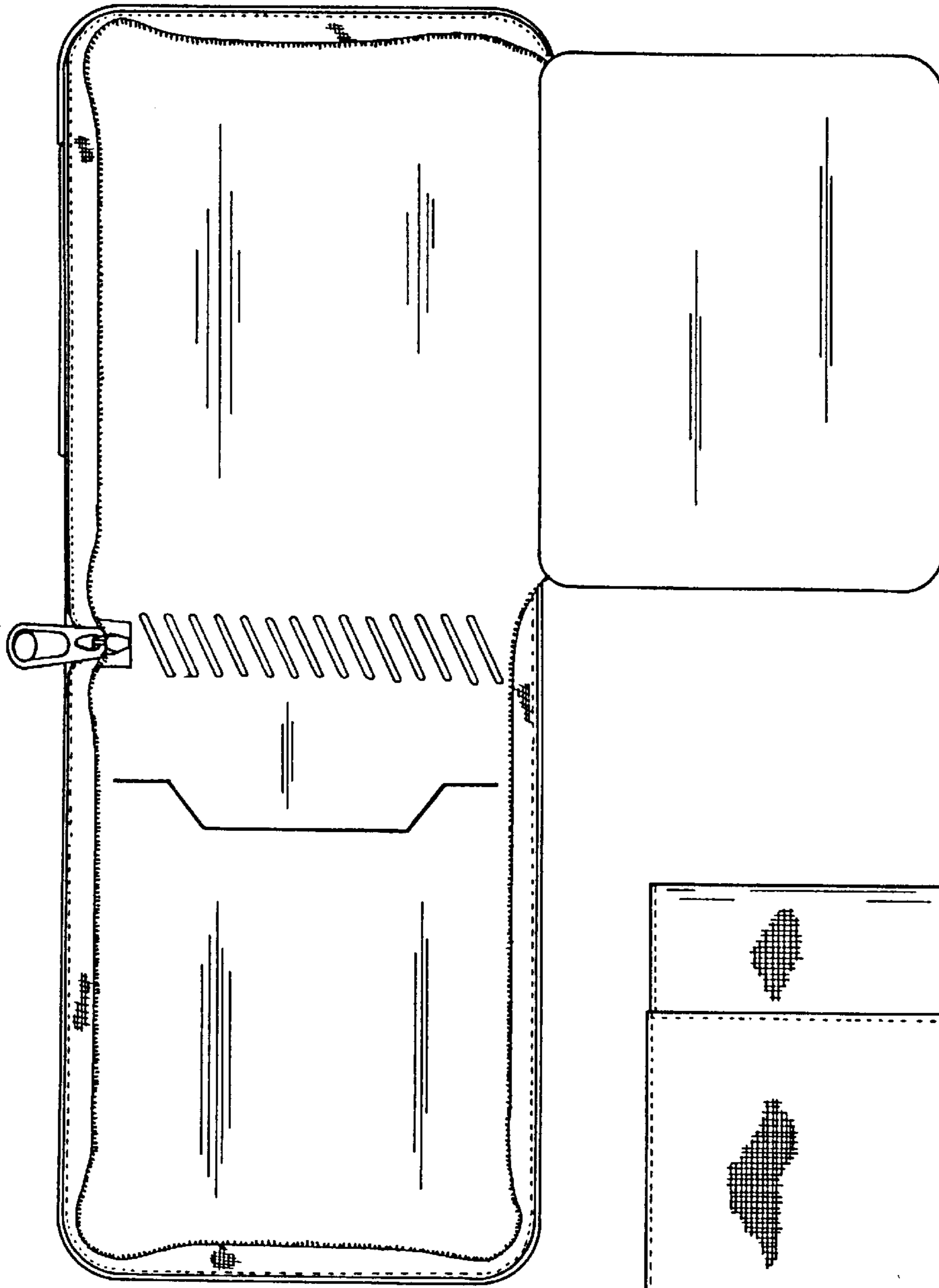
FIG. 1 is a perspective view in an open condition, with an inner storage flap closed;  
FIG. 2 is a front elevational view in the open condition with the storage flap open;  
FIG. 3 is a front elevational view in a closed condition;  
FIG. 4 is a left side elevational view in the closed condition;  
FIG. 5 is a right side elevational view in the closed condition;  
FIG. 6 is an upper plan view in the closed condition;  
FIG. 7 is a lower plan view in the closed condition; and,  
FIG. 8 is a rear elevational view in the closed condition.

**1 Claim, 3 Drawing Sheets**

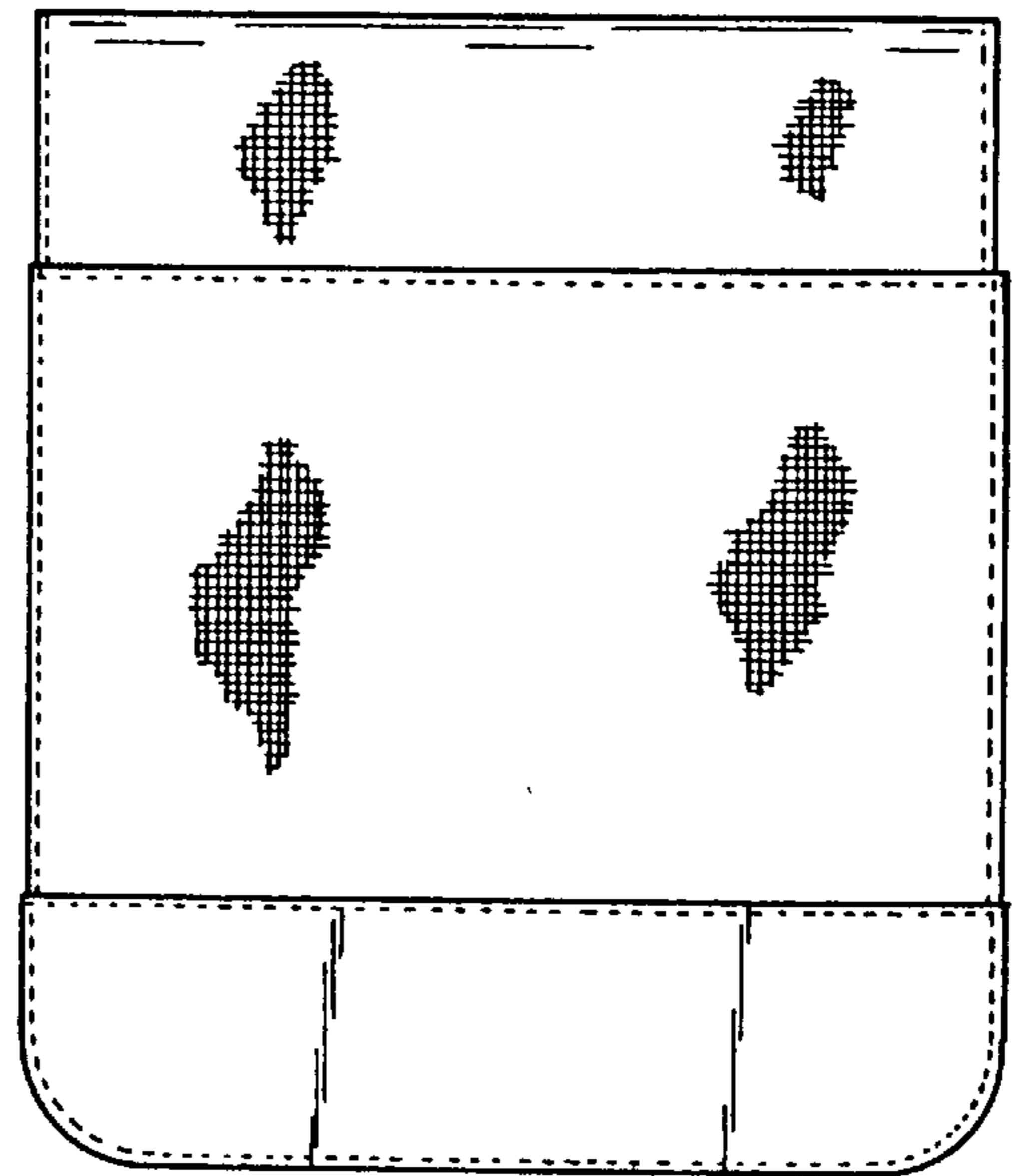




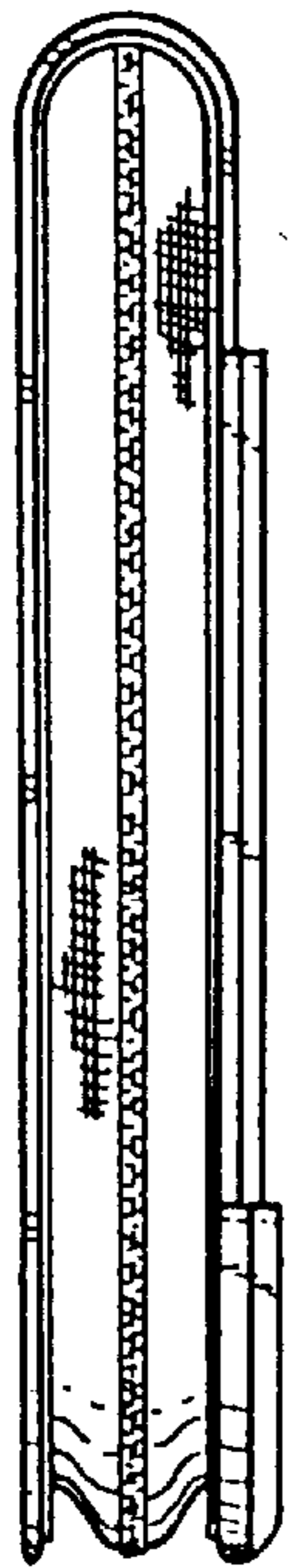
*Fig. 1*



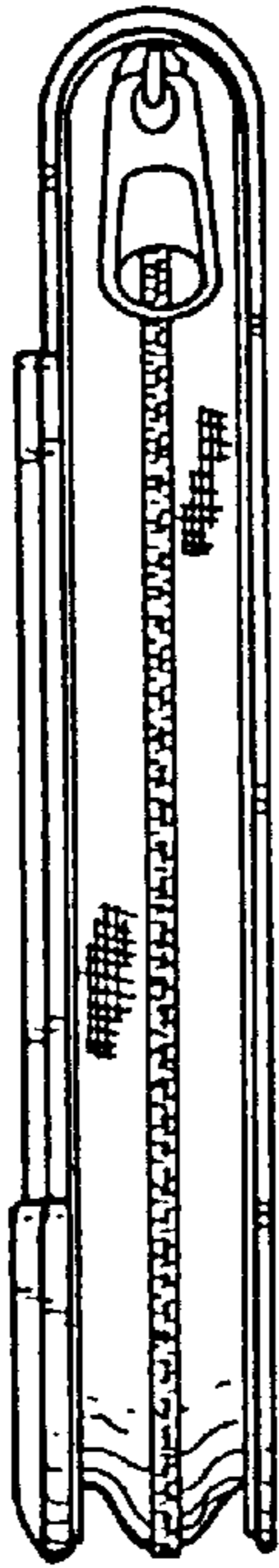
*Fig. 2*



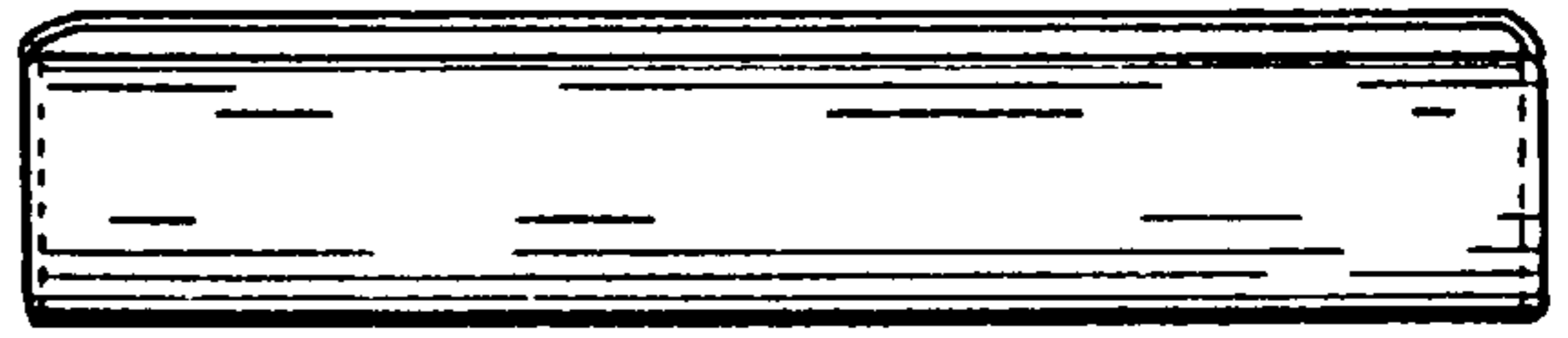
*Fig. 3*



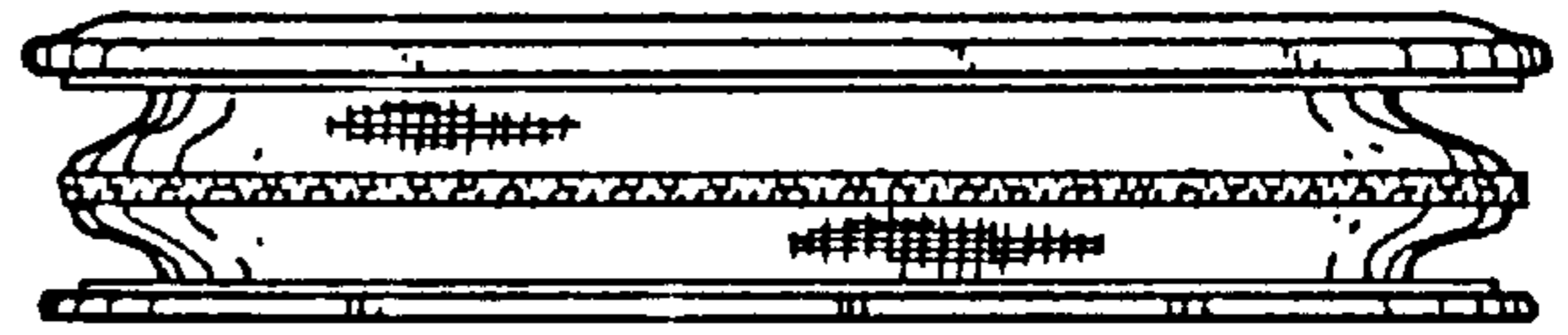
*Fig. 4*



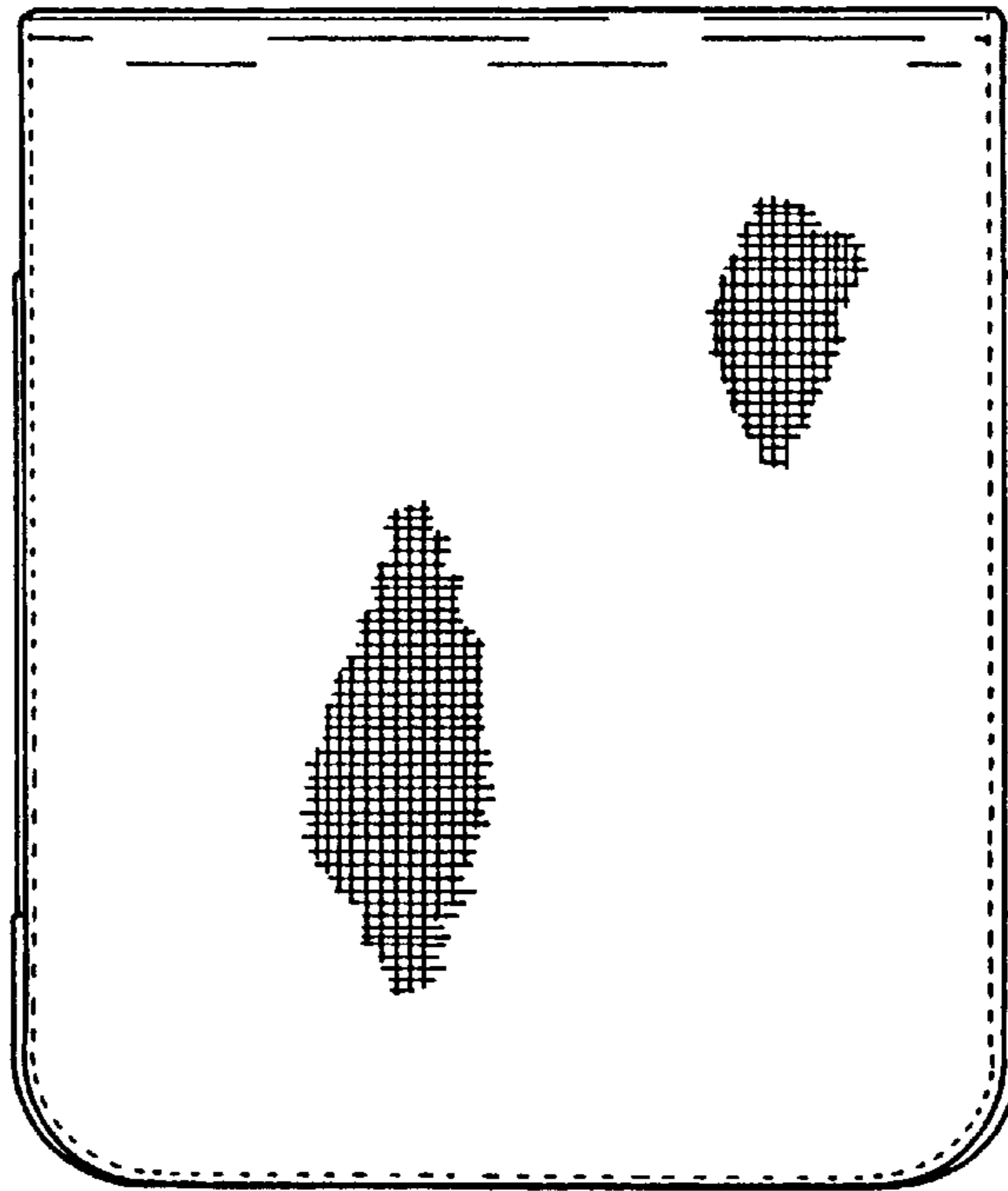
*Fig. 5*



*Fig. 6*



*Fig. 7*



*Fig. 8*