



US00D410488S

# United States Patent [19] Uggetti

[11] **Patent Number: Des. 410,488**  
[45] **Date of Patent: \*\* Jun. 1, 1999**

[54] **ENDLESS PRINTING RIBBON CARTRIDGE**

[75] Inventor: **Sergio Uggetti**, Ivrea, Italy

[73] Assignee: **Olivetti Lexikon S.p.A.**, Italy

[\*\*] Term: **14 Years**

[21] Appl. No.: **29/065,105**

[22] Filed: **Jan. 21, 1997**

[30] **Foreign Application Priority Data**

Jul. 19, 1996 [IT] Italy ..... TO9600157

[51] **LOC (6) Cl.** ..... **18-01**

[52] **U.S. Cl.** ..... **D18/12**

[58] **Field of Search** ..... D18/1, 12; 400/194,  
400/195, 196, 207

[56] **References Cited**

**U.S. PATENT DOCUMENTS**

D. 313,425 1/1991 Endo ..... D18/12

D. 315,169 3/1991 Stephens et al. .... D18/12  
D. 368,734 4/1996 Curley ..... D18/12  
5,051,010 9/1991 Stephens et al. .... 400/194  
5,516,217 5/1996 Alexander et al. .... 400/207

*Primary Examiner*—Caron D. Veynar  
*Attorney, Agent, or Firm*—Banner & Witcoff, Ltd.

[57] **CLAIM**

The ornamental design for an endless printing ribbon cartridge, as shown and described.

**DESCRIPTION**

FIG. 1 is a top front and left side perspective view of an endless printing ribbon cartridge having the design of the invention;

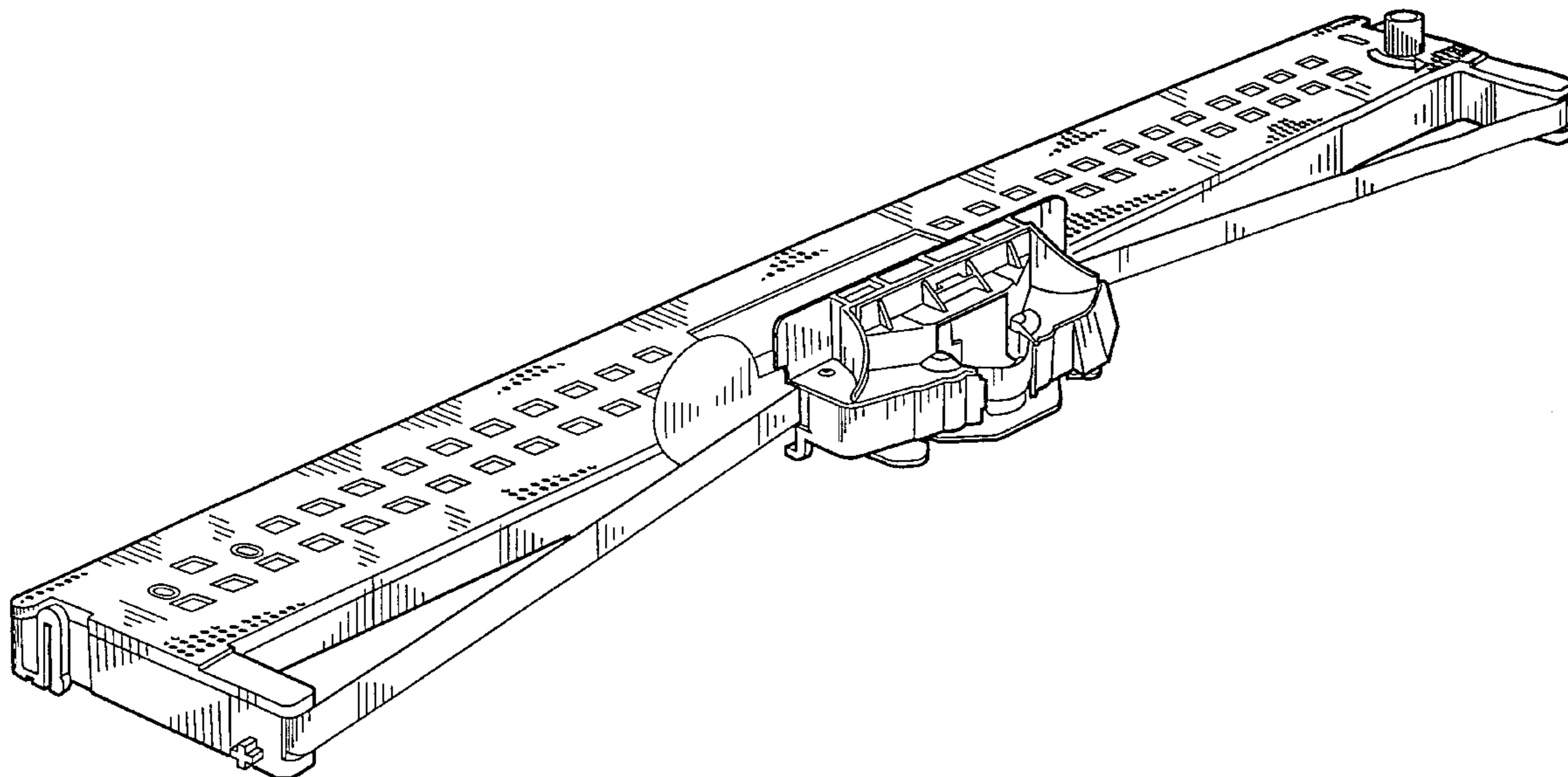
FIG. 2 is a top rear and right side perspective view thereof;

FIG. 3 is left side elevational view thereof; and,

FIG. 4 is a bottom plan view thereof.

It is to be understood that the surface ornamentation of small circles is continuous throughout the area indicated on FIGS. 1 and 2.

**1 Claim, 4 Drawing Sheets**



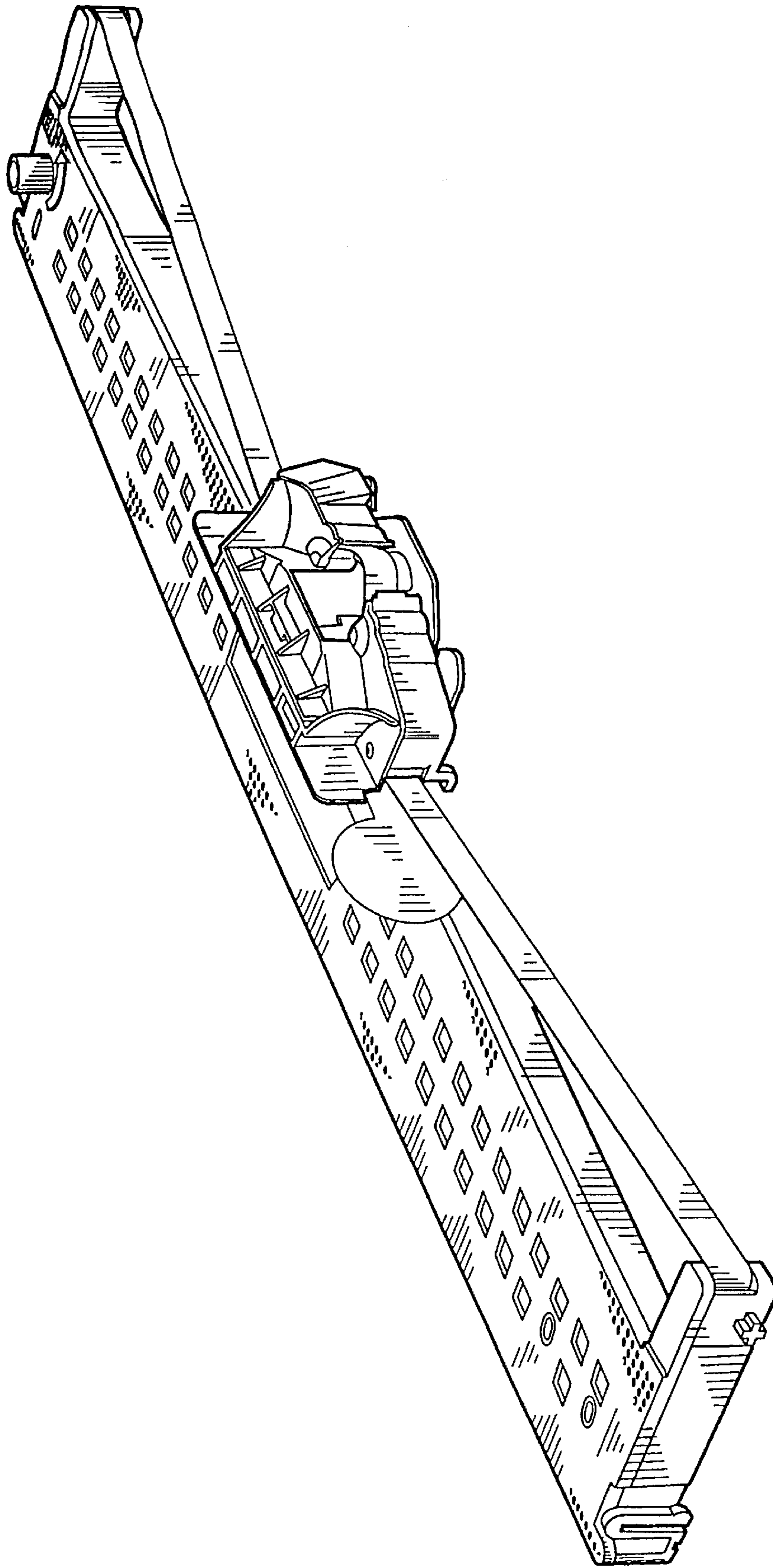


Fig.1

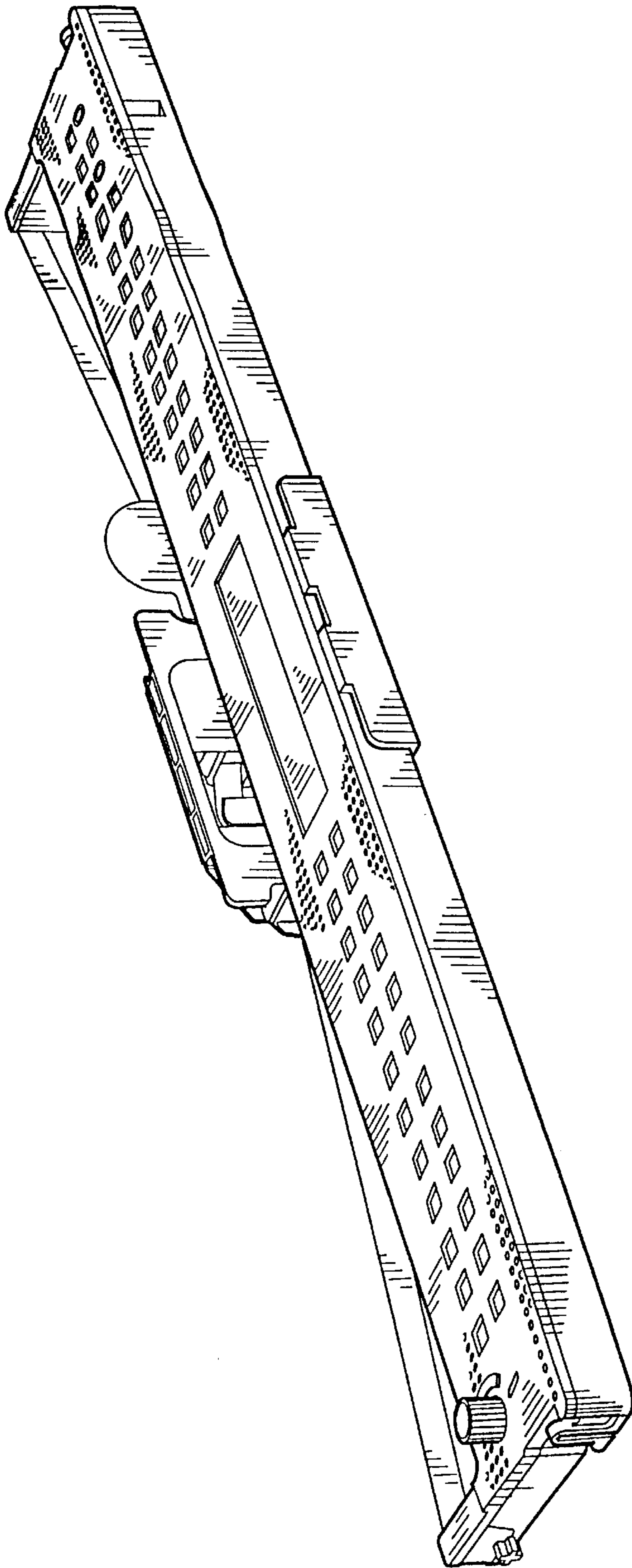


Fig.2

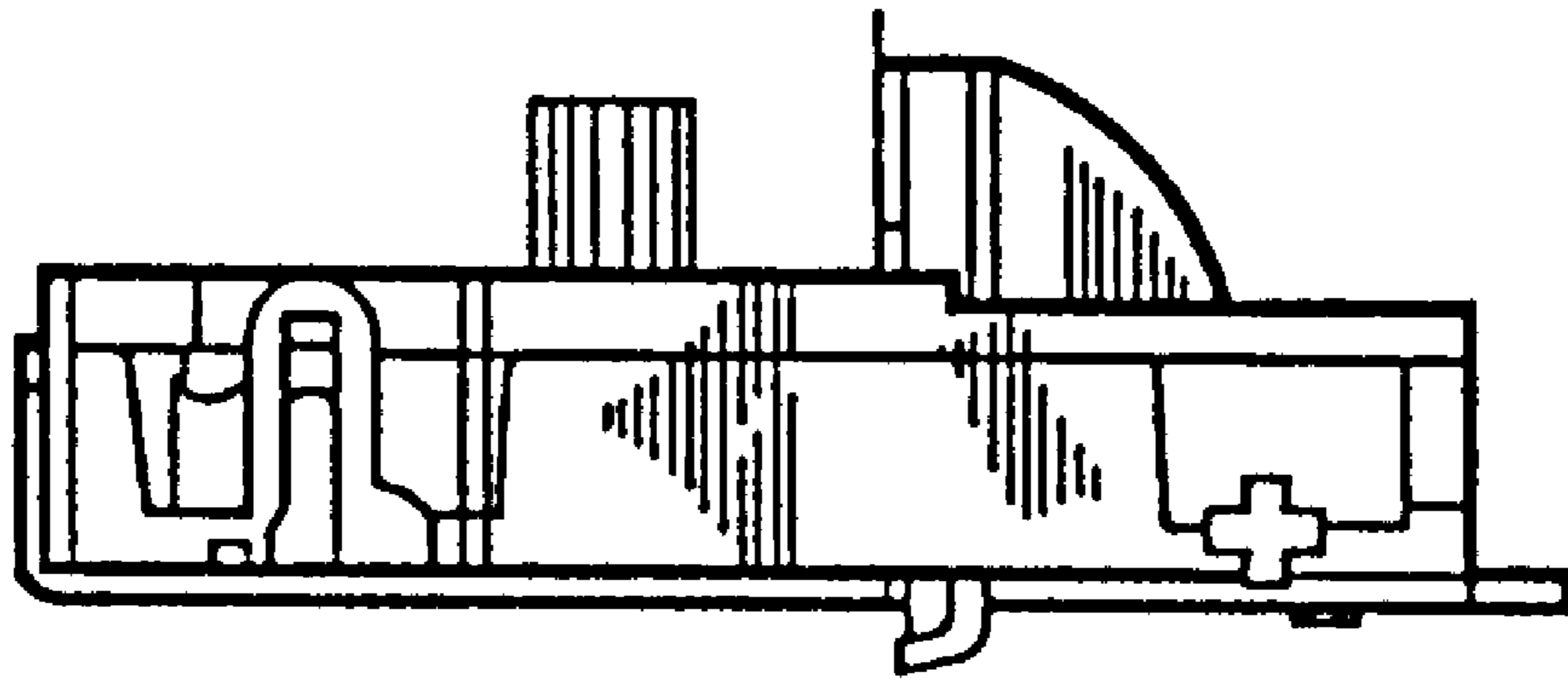


Fig. 3

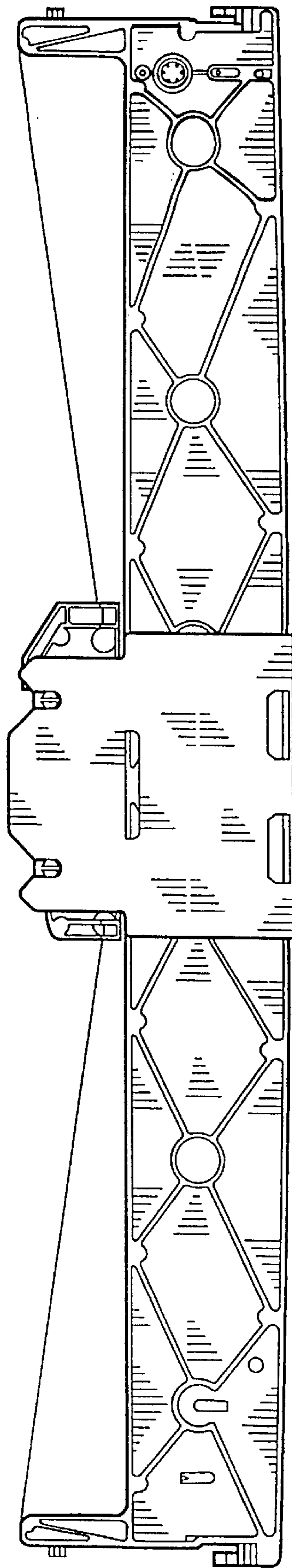


Fig. 4