



US00D410483S

United States Patent [19] Ogasawara

[11] **Patent Number: Des. 410,483**
[45] **Date of Patent: ** Jun. 1, 1999**

[54] **PROJECTOR**

2,733,635 2/1956 Crandall 359/466
3,468,599 9/1969 Jordan 359/466
3,942,884 3/1976 Richards et al. 359/475

[75] Inventor: **Shinichi Ogasawara**, Tokyo, Japan

[73] Assignee: **Sony Corporation**, Tokyo, Japan

[**] Term: **14 Years**

Primary Examiner—Adir Aronovich
Attorney, Agent, or Firm—Foley & Lardner

[21] Appl. No.: **29/079,161**

[22] Filed: **Nov. 17, 1997**

[57] **CLAIM**

The ornamental design for a projector, as shown and described.

[30] **Foreign Application Priority Data**

May 21, 1997 [JP] Japan 9-55008

[51] **LOC (6) Cl.** **16-02**

[52] **U.S. Cl.** **D16/221; D16/222**

[58] **Field of Search** D16/221, 225,
D16/227; 40/361, 362, 363-367; 353/115,
119, 122, DIG. 2; 359/462, 465, 466, 469,
475

DESCRIPTION

FIG. 1 is a perspective view of a projector showing my new design;

FIG. 2 is a top plan view thereof;

FIG. 3 is a left side elevational view thereof;

FIG. 4 is a front elevational view thereof;

FIG. 5 is a bottom plan view thereof;

FIG. 6 is a right side elevational view thereof;

FIG. 7 is a rear elevational view thereof; and,

FIG. 8 is a reference perspective view thereof wherein the leg portion, which is in the using condition, in broken lines is for illustrative purpose only and forms no part of claimed design.

[56] **References Cited**

U.S. PATENT DOCUMENTS

D. 161,884 2/1951 Thomas D16/222

1 Claim, 4 Drawing Sheets

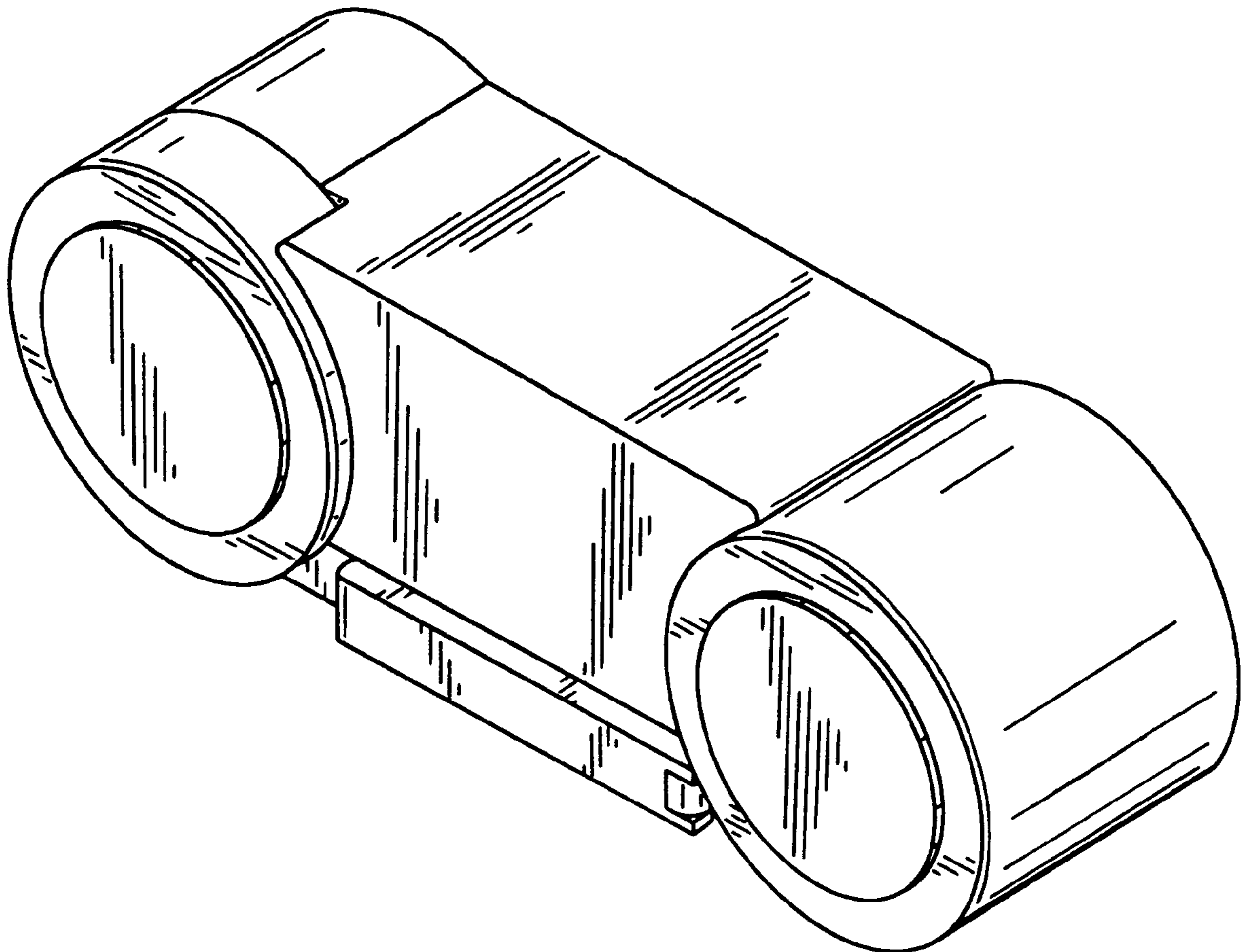


FIG. 1

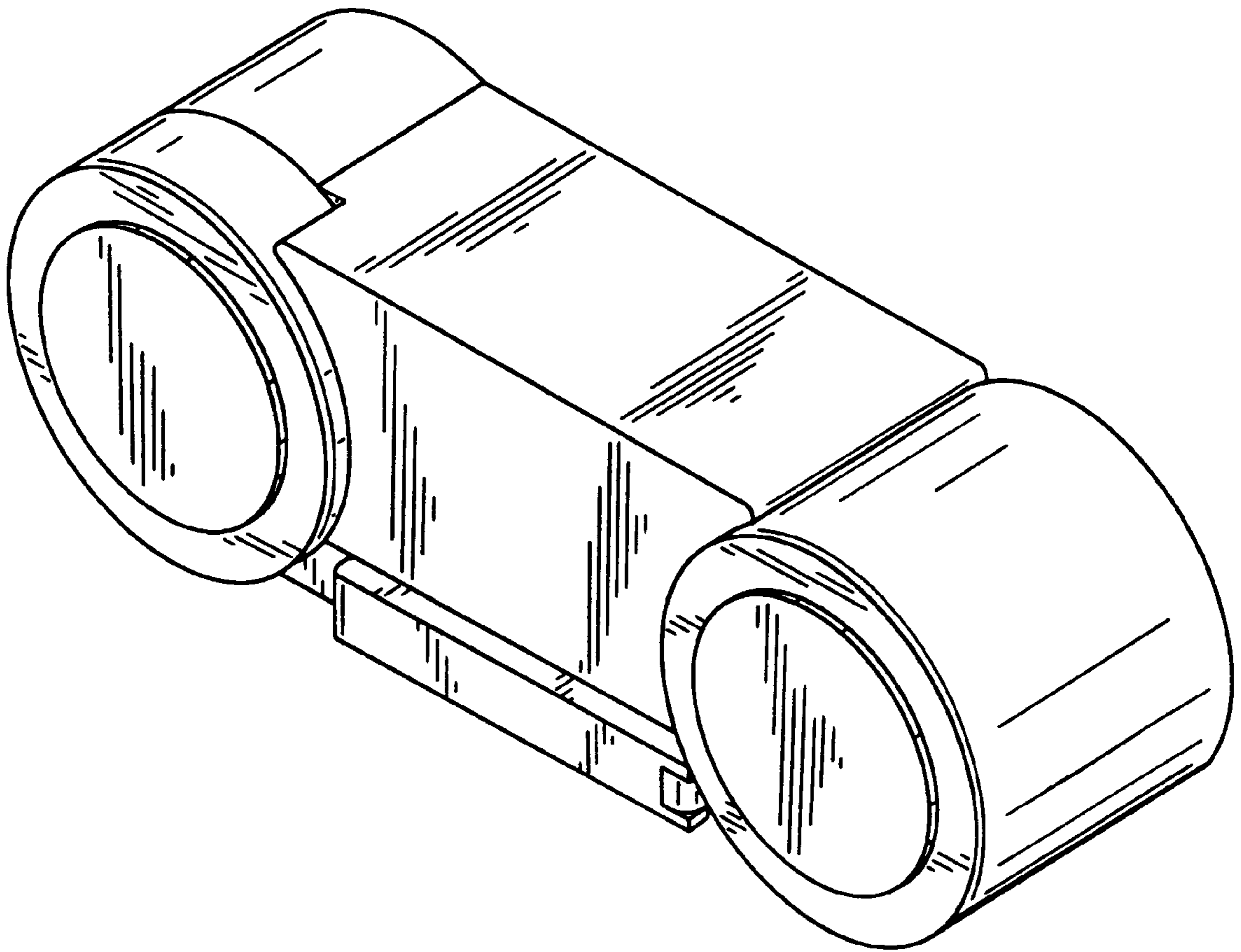


FIG. 2

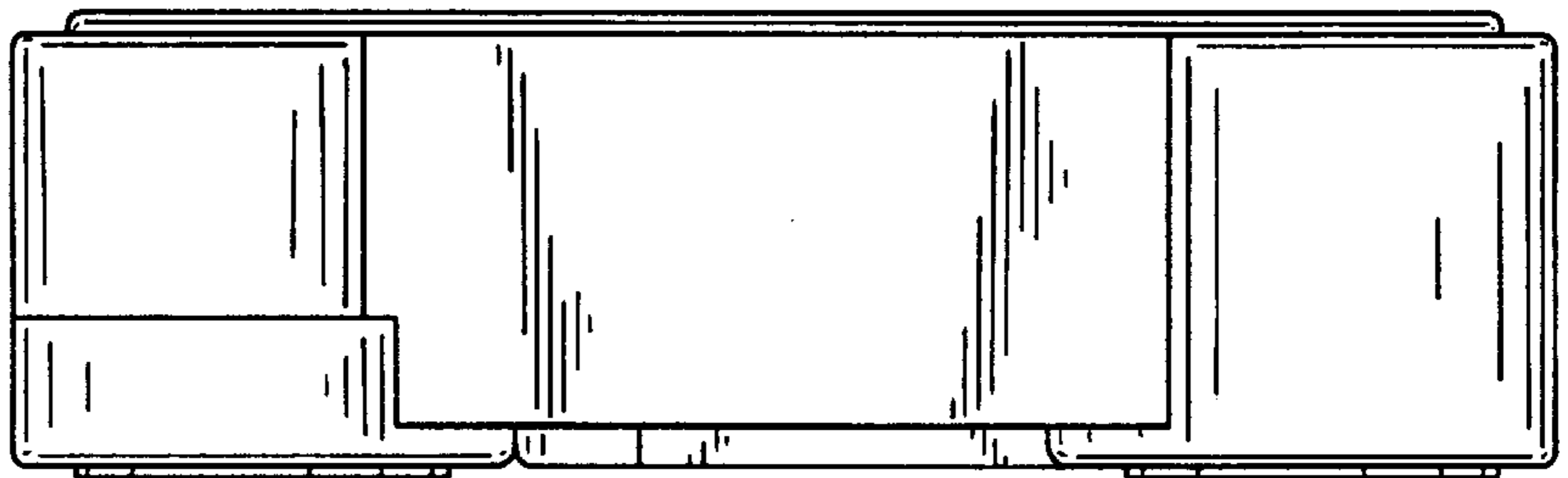


FIG. 3

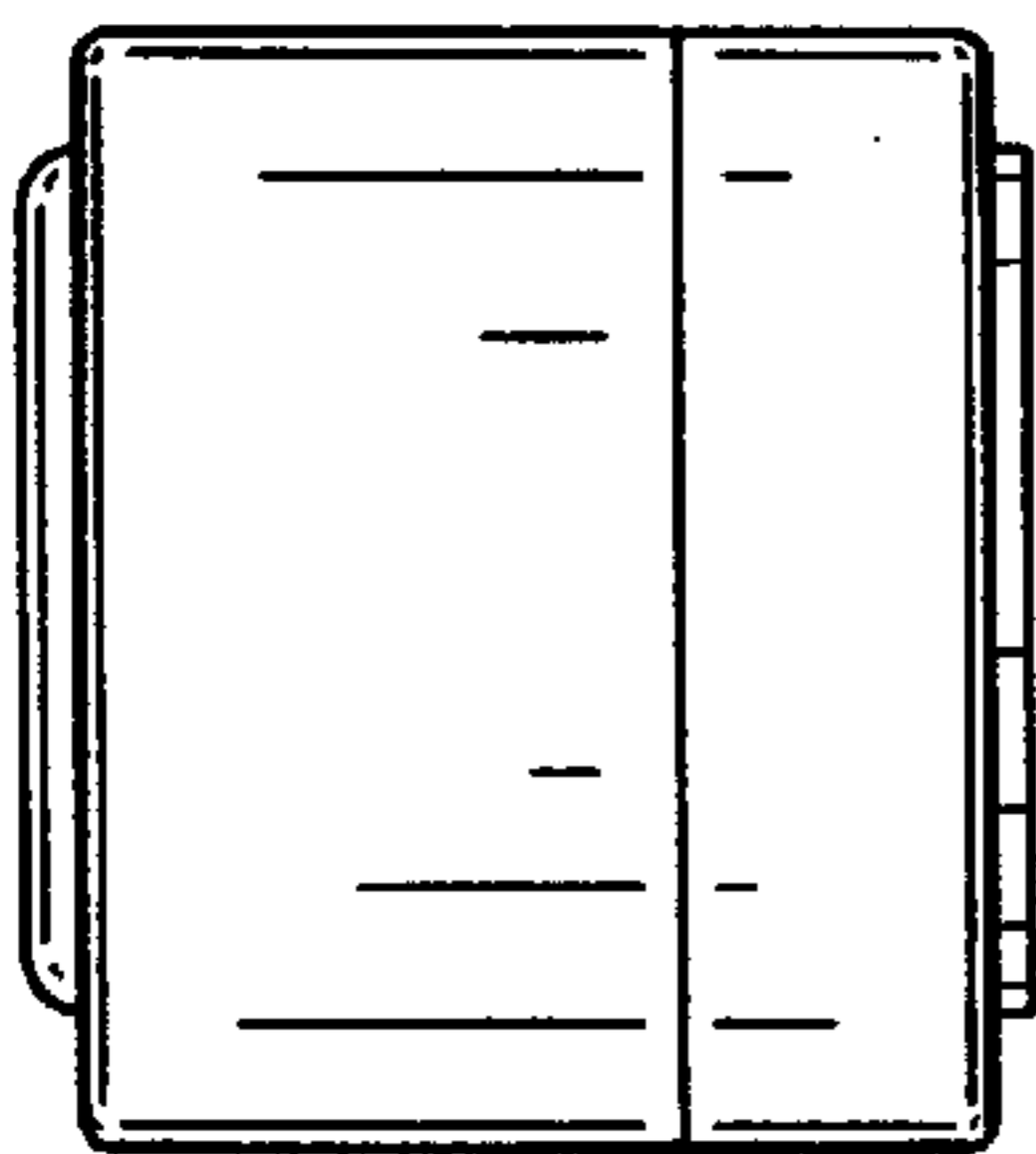


FIG. 4

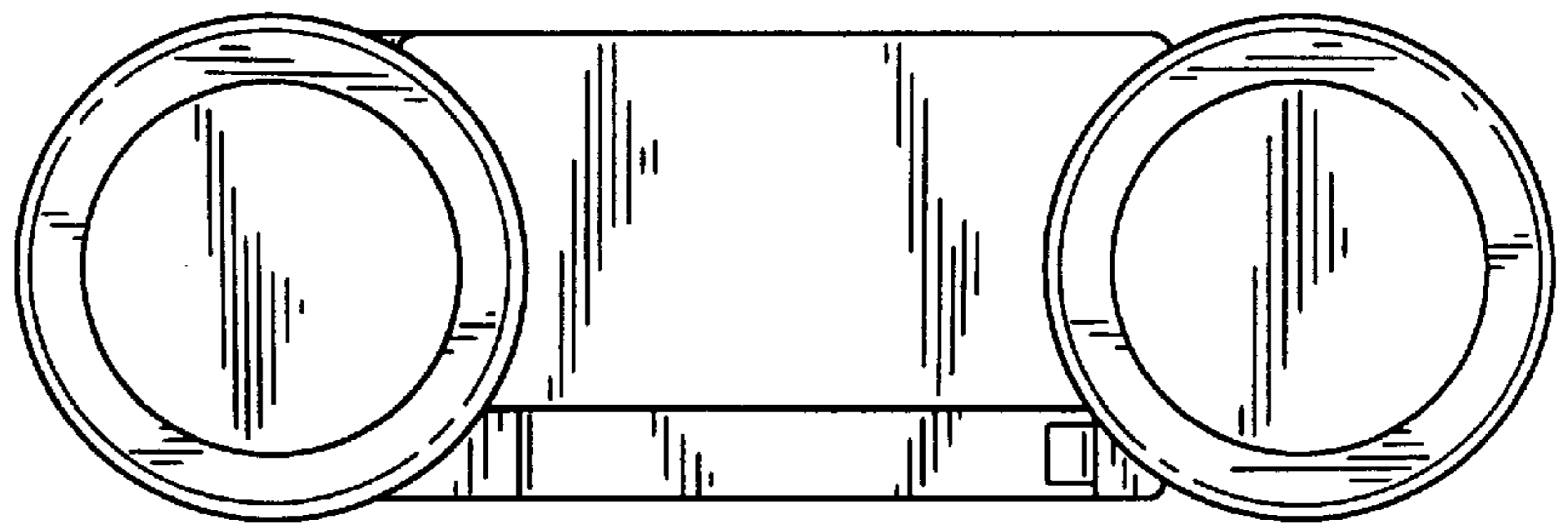


FIG. 5

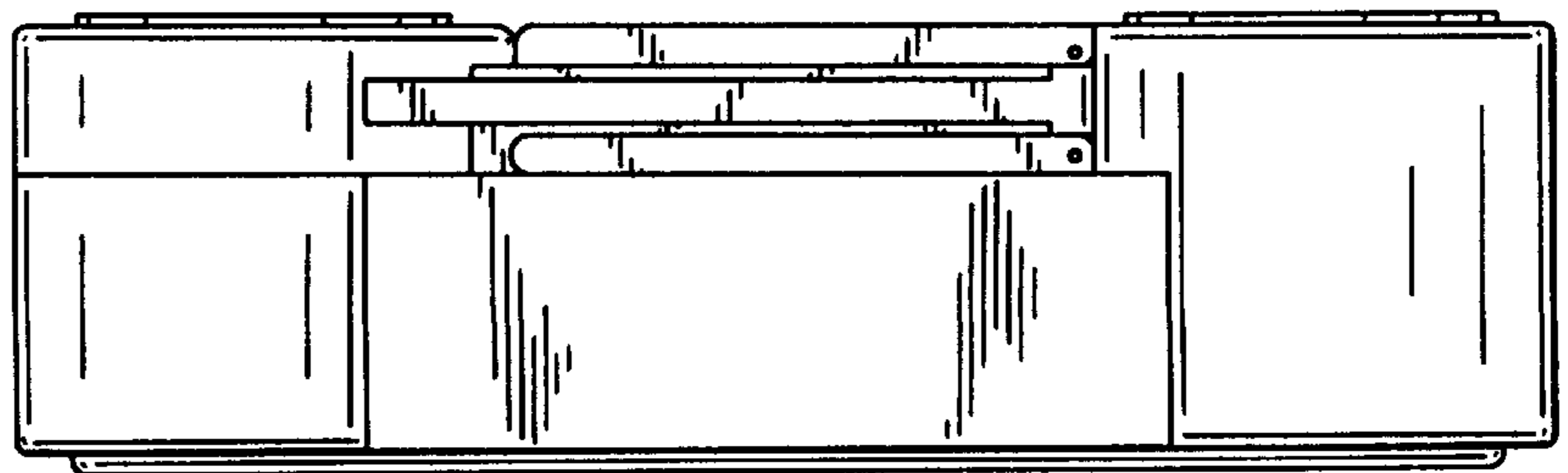


FIG. 6

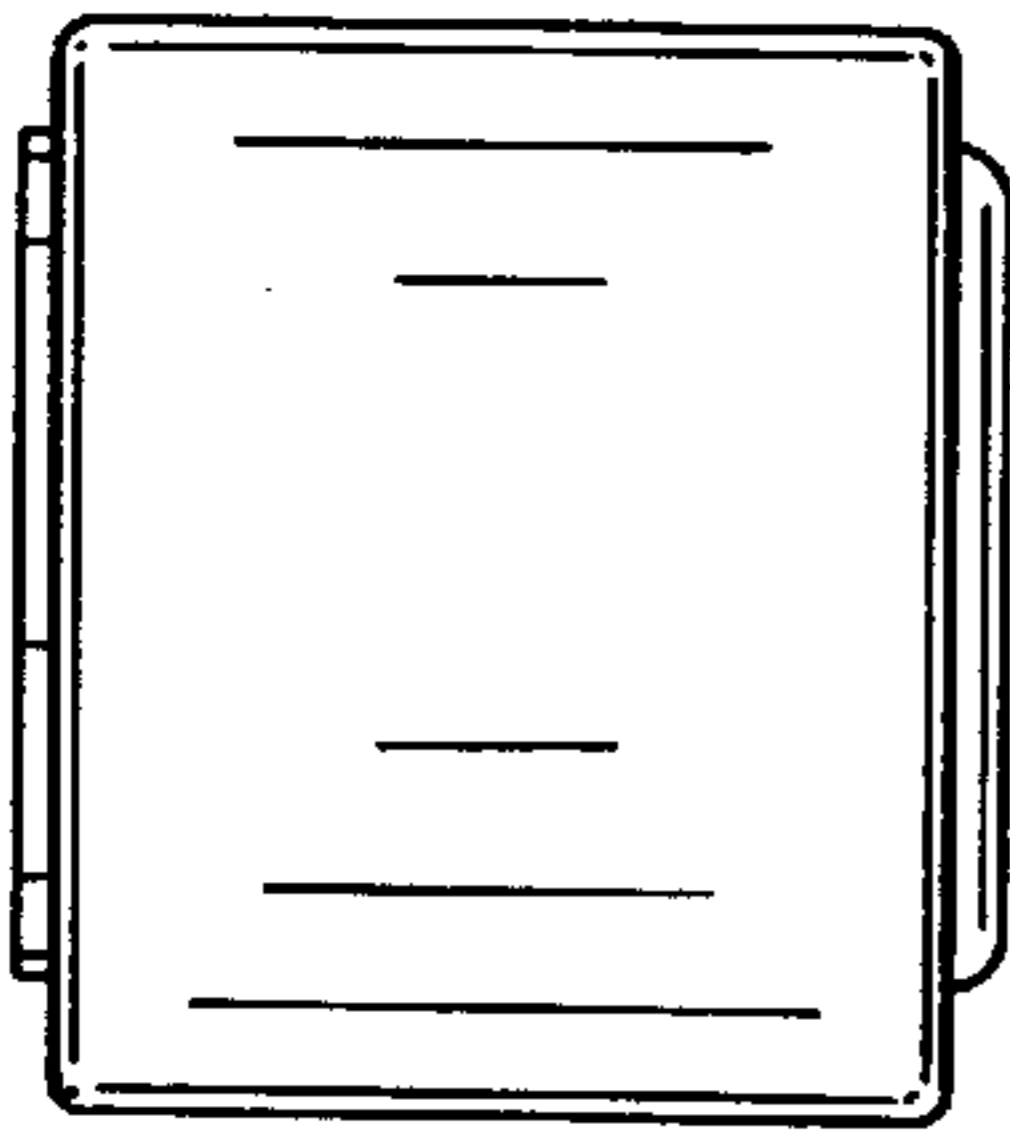


FIG. 7

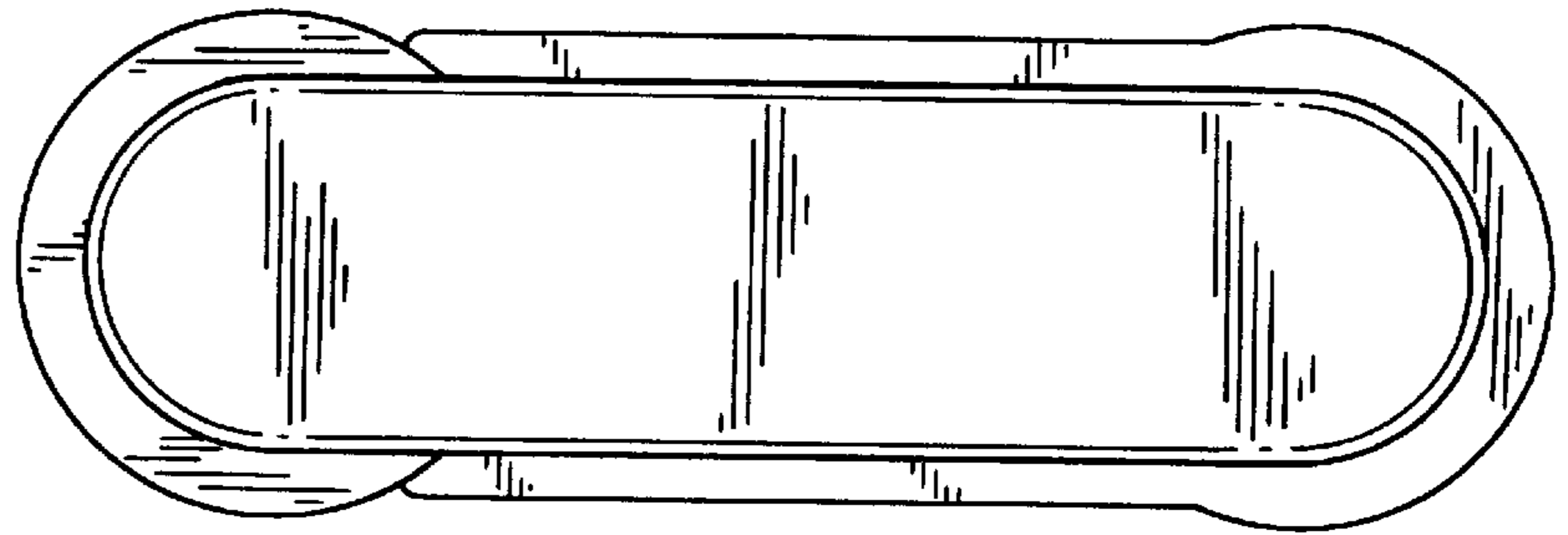


FIG. 8

