



US00D410477S

United States Patent [19]

Nihei et al.

[11] Patent Number: **Des. 410,477**

[45] Date of Patent: **** Jun. 1, 1999**

[54] **INDUSTRIAL ROBOT**

5,437,207 8/1995 Zimmer 74/490.02
5,564,312 10/1996 Brunman et al. 74/490.02

[75] Inventors: **Ryo Nihei**, Fujiyoshida; **Takeshi Okada**, Minamitsuru-gun; **Hiroshi Uchida**, Minamitsuru-gun; **Yoshihiro Tanno**, Minamitsuru-gun, all of Japan

Primary Examiner—Antoine Duval Davis
Attorney, Agent, or Firm—Staas & Halsey

[73] Assignee: **Fanuc Ltd.**, Minamitsuru, Japan

[57] **CLAIM**

[**] Term: **14 Years**

The ornamental design for an industrial robot, as shown and described.

[21] Appl. No.: **29/090,586**

DESCRIPTION

[22] Filed: **Jul. 9, 1998**

[30] **Foreign Application Priority Data**

Mar. 24, 1998 [JP] Japan 10-8368

FIG. 1 is a front elevational view of an industrial robot showing our new design;

[51] **LOC (6) Cl.** **15-99**

FIG. 2 is a rear elevational view;

[52] **U.S. Cl.** **D15/199**

FIG. 3 is a top plan view;

[58] **Field of Search** D15/199; 414/744.5, 414/744.2; 74/479, 490.02; 318/560

FIG. 4 is a bottom plan view;

FIG. 5 is a left side elevational view; and,

FIG. 6 is a right side elevational view.

[56] **References Cited**

U.S. PATENT DOCUMENTS

D. 344,280 2/1994 Koyama et al. D15/199

1 Claim, 4 Drawing Sheets

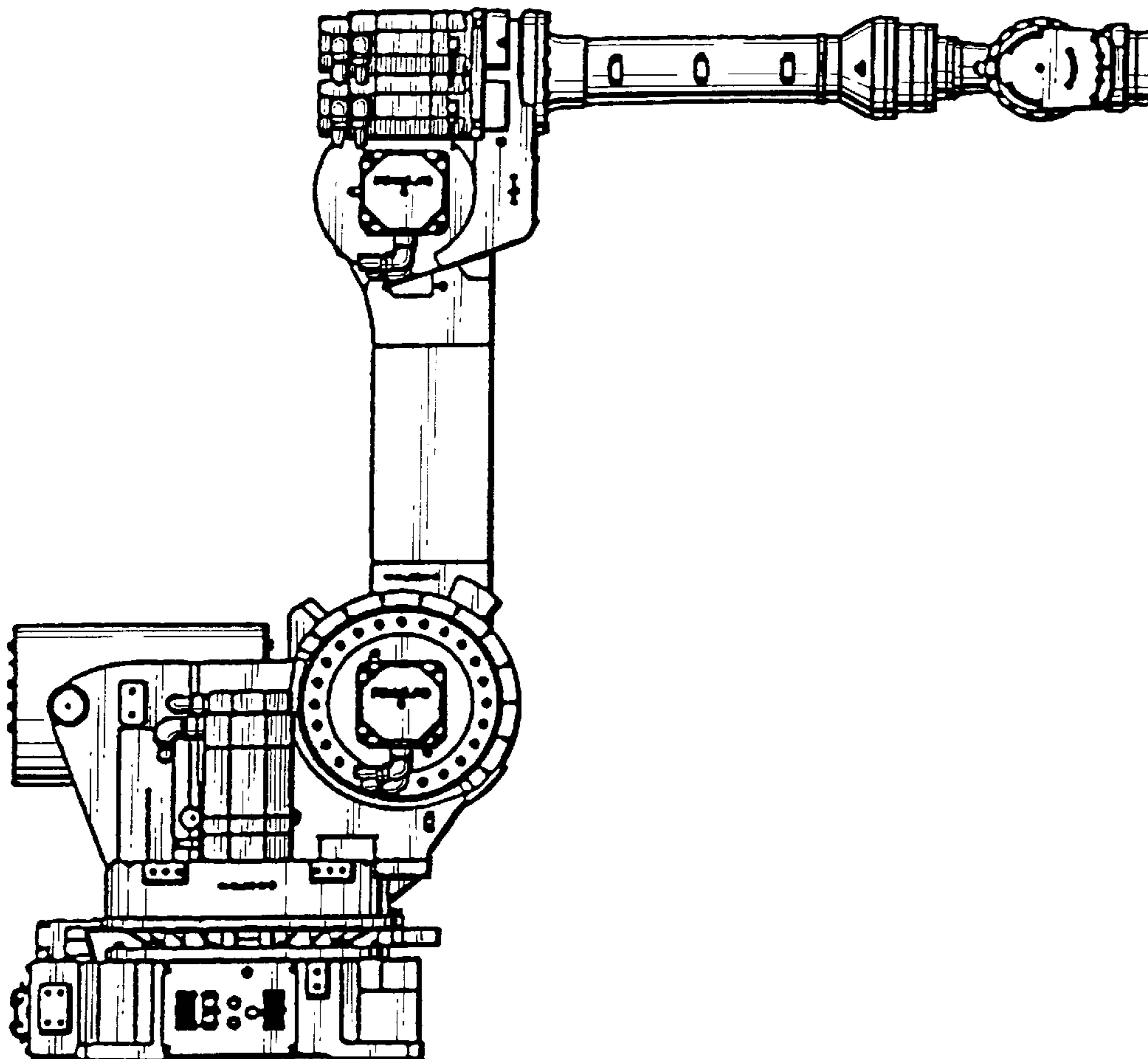


FIG. 1

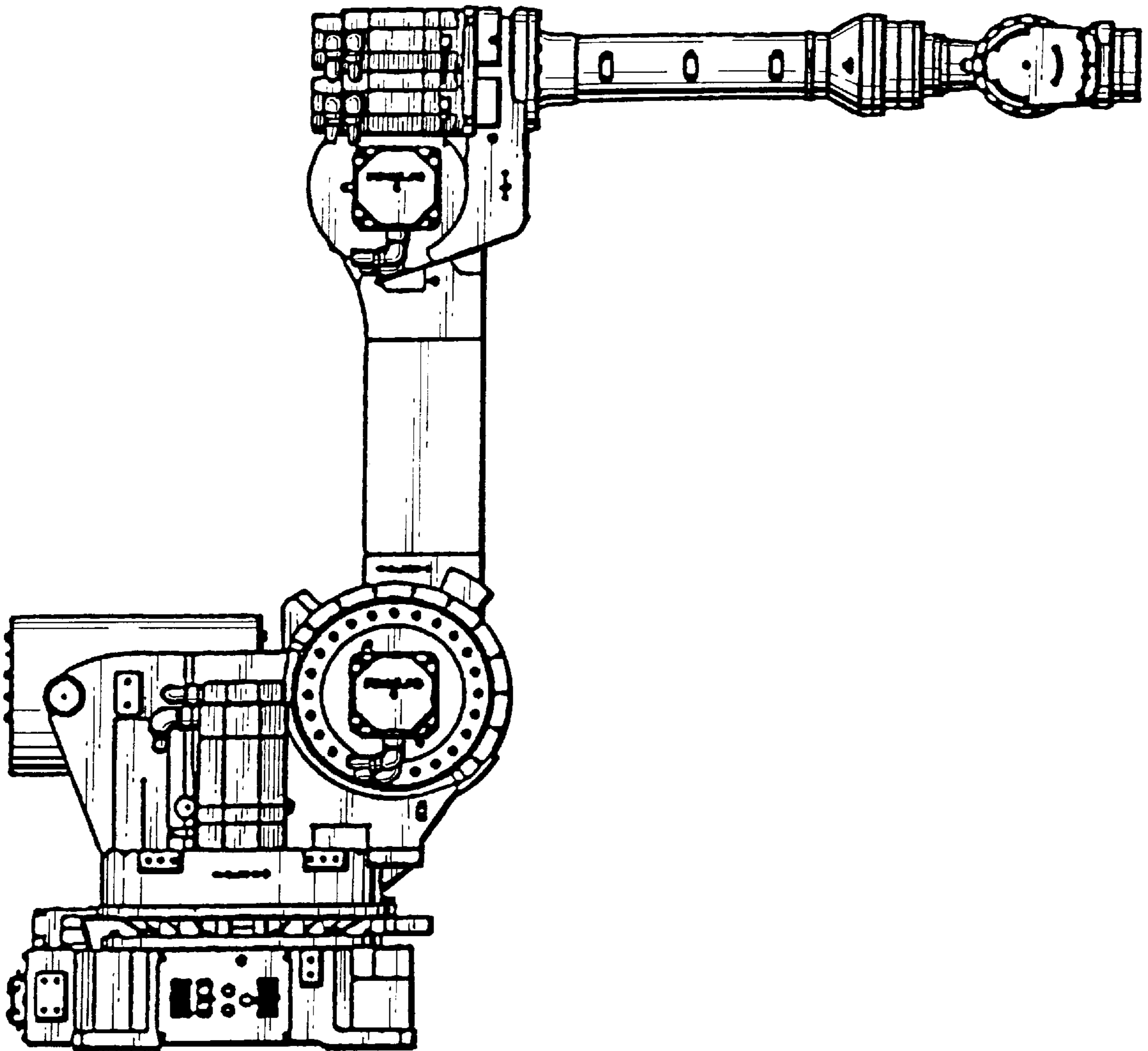


FIG. 2

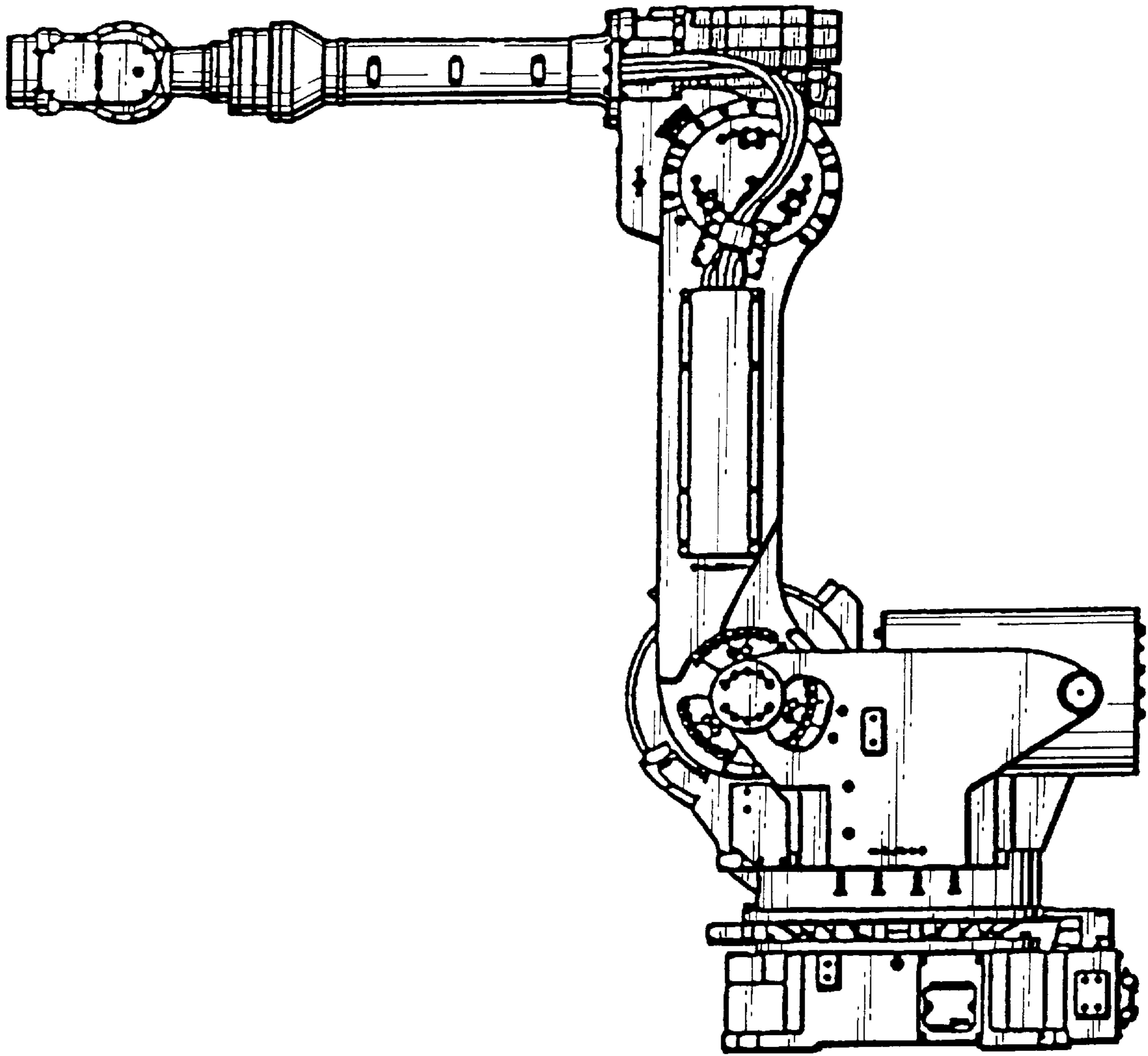


FIG. 3

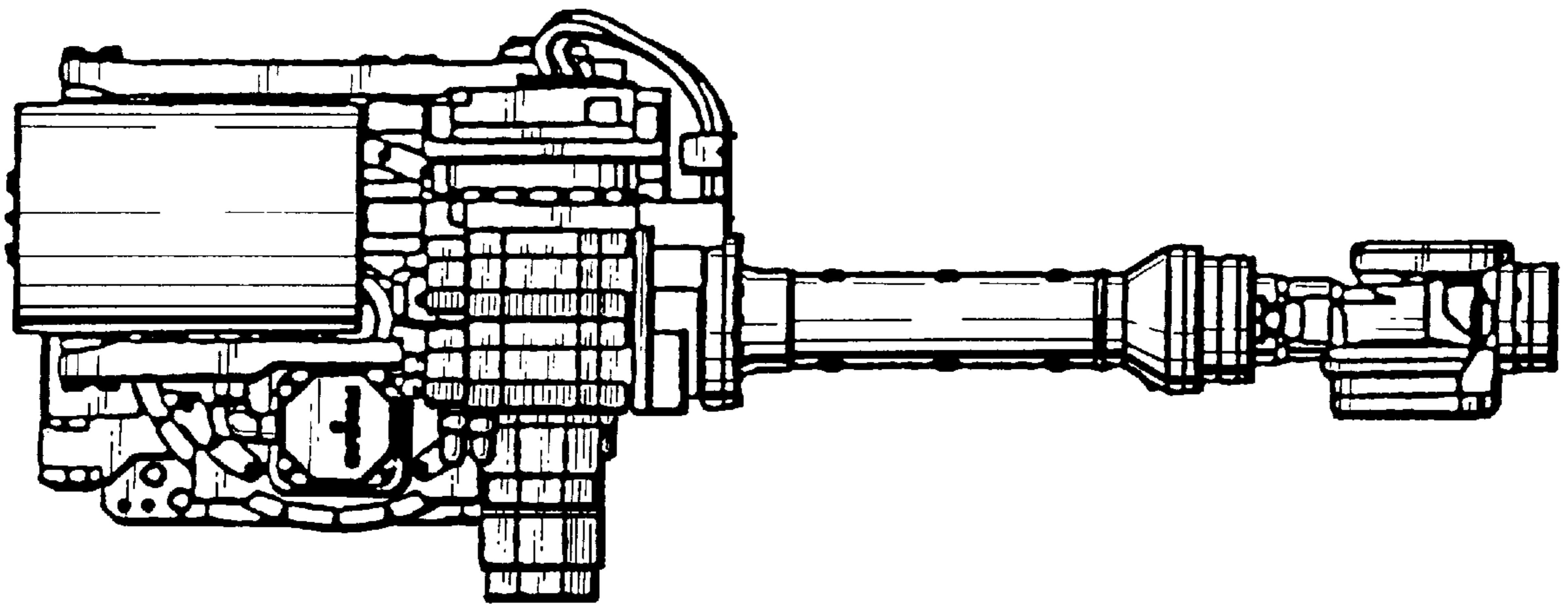


FIG. 4

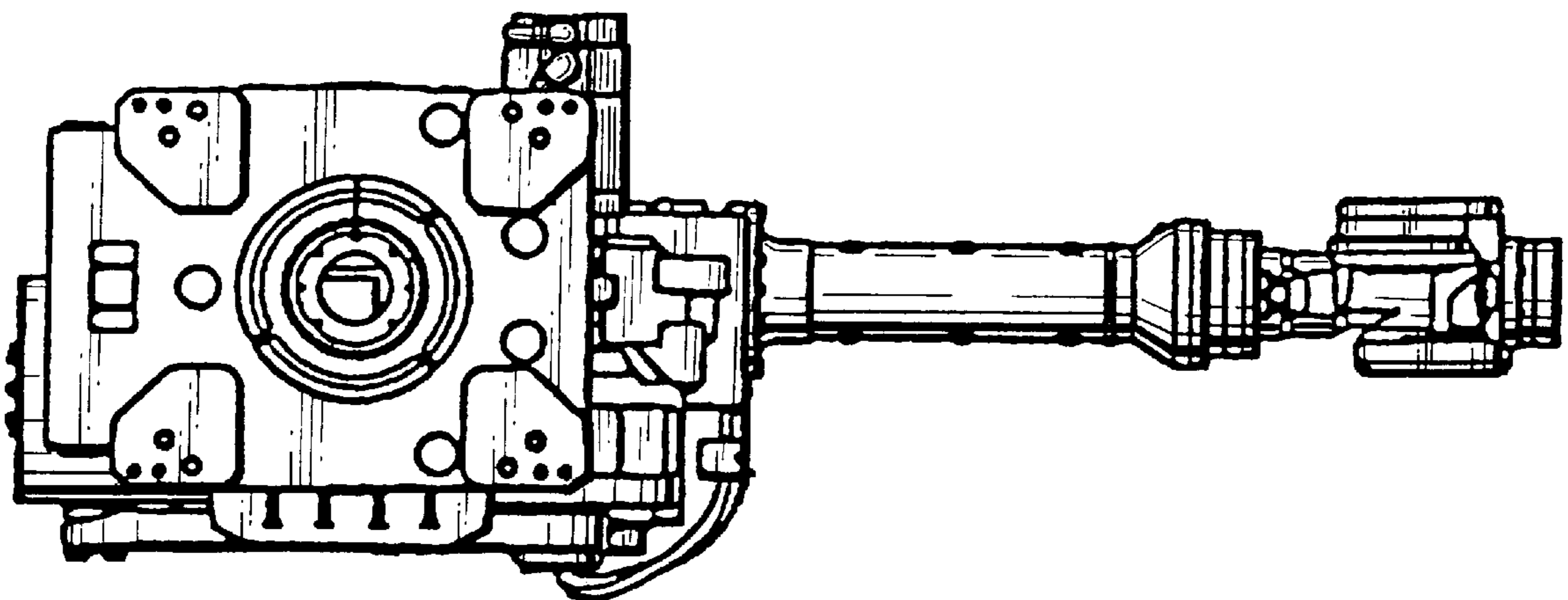


FIG. 5

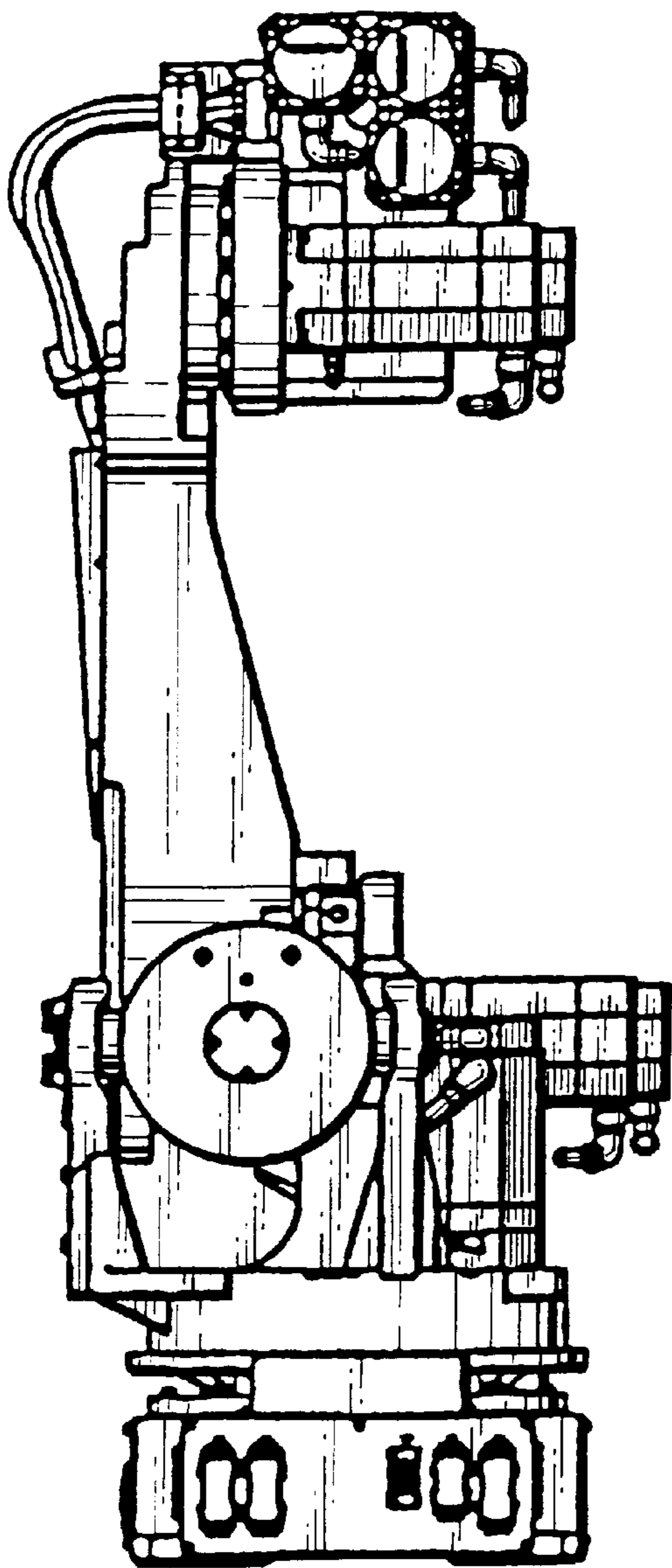


FIG. 6

